



US00D922866S

(12) **United States Design Patent**  
**Kaye et al.**

(10) **Patent No.:** **US D922,866 S**

(45) **Date of Patent:** **\*\* Jun. 22, 2021**

- (54) **POD**
- (71) Applicant: **Henkel IP & Holding GmbH**,  
Duesseldorf (DE)
- (72) Inventors: **Glenn W. Kaye**, Norwalk, CT (US);  
**Robert J. Stave**, Ridgefield, CT (US)
- (73) Assignee: **Henkel IP & Holding GmbH**,  
Duesseldorf (DE)
- (\*\*) Term: **15 Years**
- (21) Appl. No.: **29/727,680**
- (22) Filed: **Mar. 12, 2020**
- (51) **LOC (13) Cl.** ..... **09-03**
- (52) **U.S. Cl.**  
USPC ..... **D9/428; D23/366**
- (58) **Field of Classification Search**  
USPC ..... D7/400, 601, 608; D9/416, 417, 420,  
D9/425-429, 430, 432, 761; D23/366  
CPC ..... A47J 19/005; A47J 31/06; A47J 31/0689;  
B65D 1/00; B65D 1/26; B65D 1/34;  
B65D 1/40; B65D 85/804; B65D  
85/8043; B65D 2581/3409  
See application file for complete search history.

- D514,385 S \* 2/2006 Smith ..... D7/509
- D620,791 S \* 8/2010 Grajcar ..... D9/428
- D632,171 S \* 2/2011 Grajcar ..... D9/429
- D686,044 S \* 7/2013 Del Solar ..... D7/629
- D708,903 S \* 7/2014 Wong ..... D7/413
- D716,433 S \* 10/2014 Milon ..... A61L 9/03  
D23/366
- D760,885 S \* 7/2016 Lin ..... D23/366
- D830,638 S \* 10/2018 Teller ..... D28/85

\* cited by examiner

*Primary Examiner* — Janice Patyk

(74) *Attorney, Agent, or Firm* — Bojuan Peng

(57) **CLAIM**

The ornamental design for a pod, as shown and described.

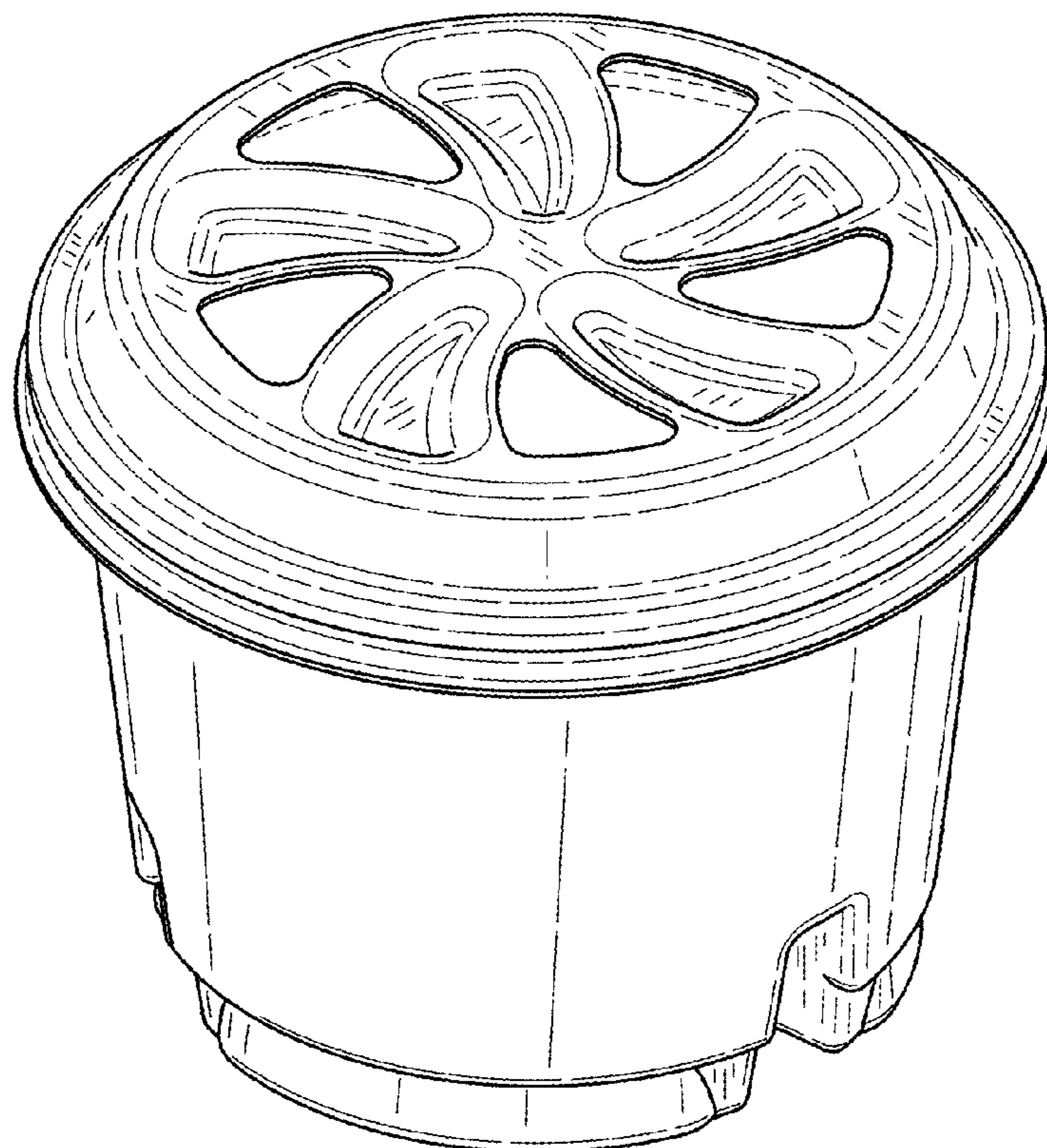
**DESCRIPTION**

FIG. 1 is a top perspective view of a pod, showing our new design;  
 FIG. 2 is a bottom perspective view thereof;  
 FIG. 3 is a front view thereof;  
 FIG. 4 is a back view thereof;  
 FIG. 5 is a right-side view thereof;  
 FIG. 6 is a left-side view thereof;  
 FIG. 7 is a top plan view thereof, and,  
 FIG. 8 is a bottom plan view thereof.  
 The broken lines shown in the drawings depict portions of the pod that form no part of the claimed design.

(56) **References Cited**  
 U.S. PATENT DOCUMENTS

- D328,014 S \* 7/1992 DeCoster ..... D7/629
- D505,882 S \* 6/2005 Hensen ..... D11/152

**1 Claim, 8 Drawing Sheets**



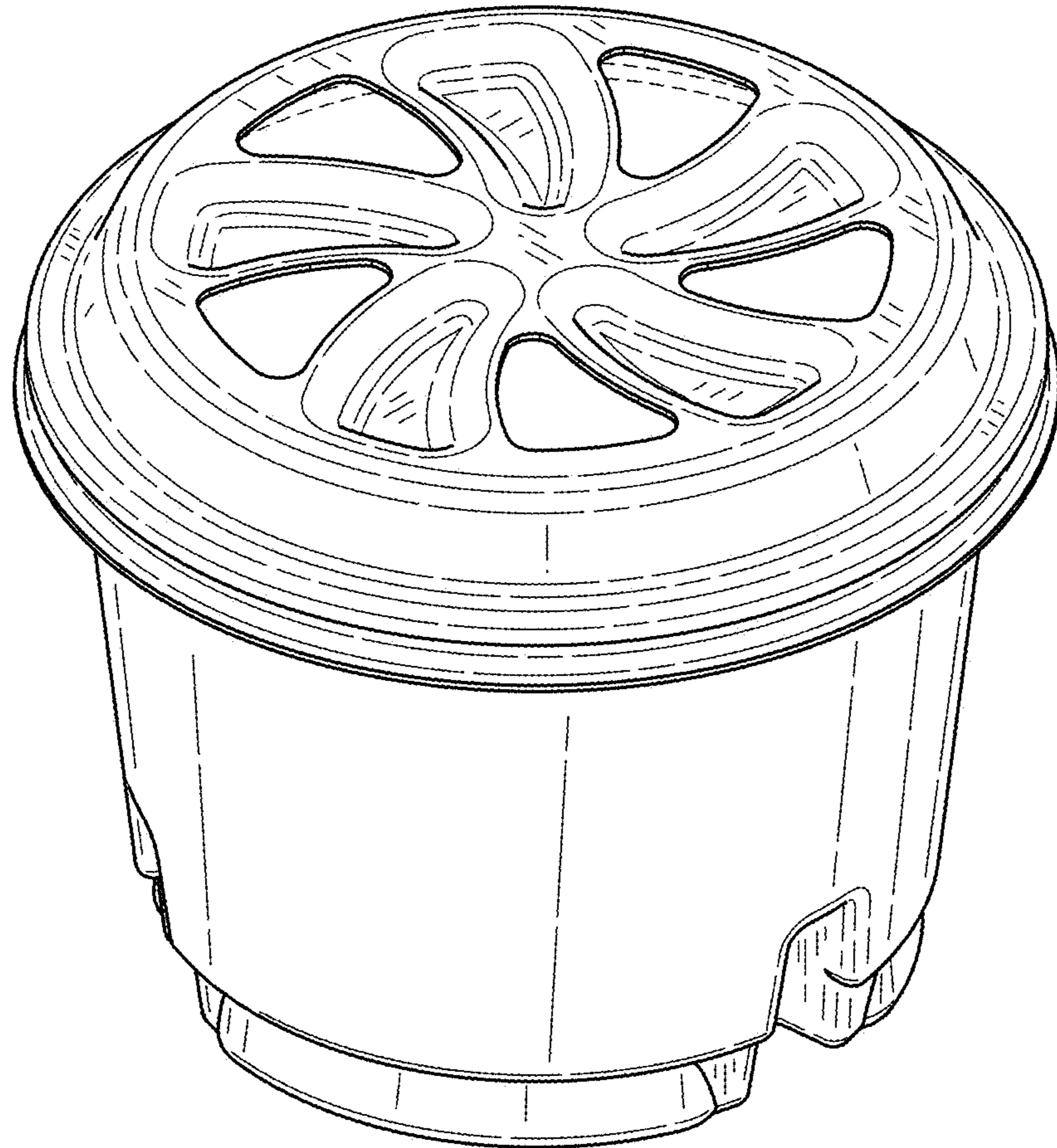


FIG.1

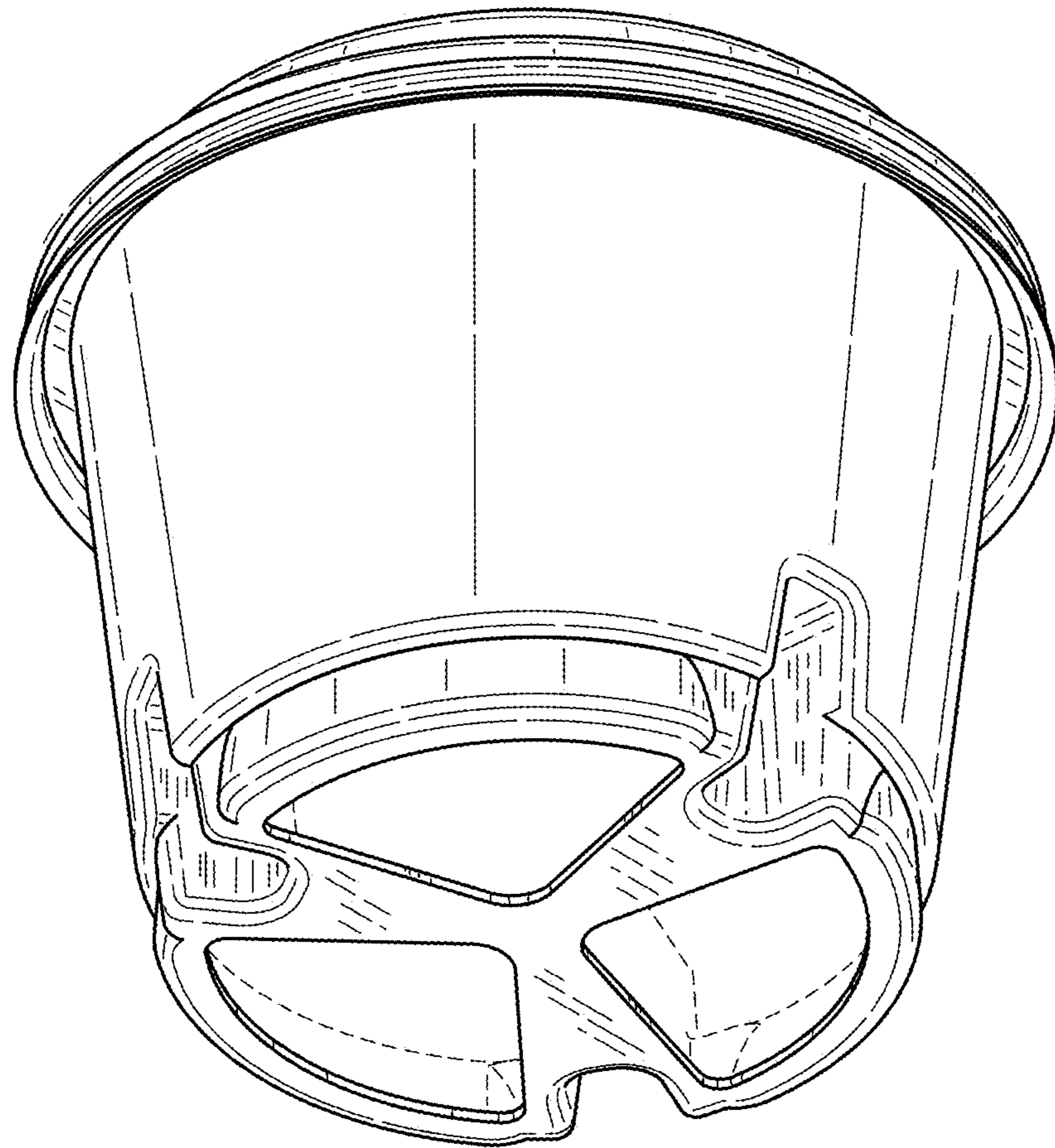


FIG.2

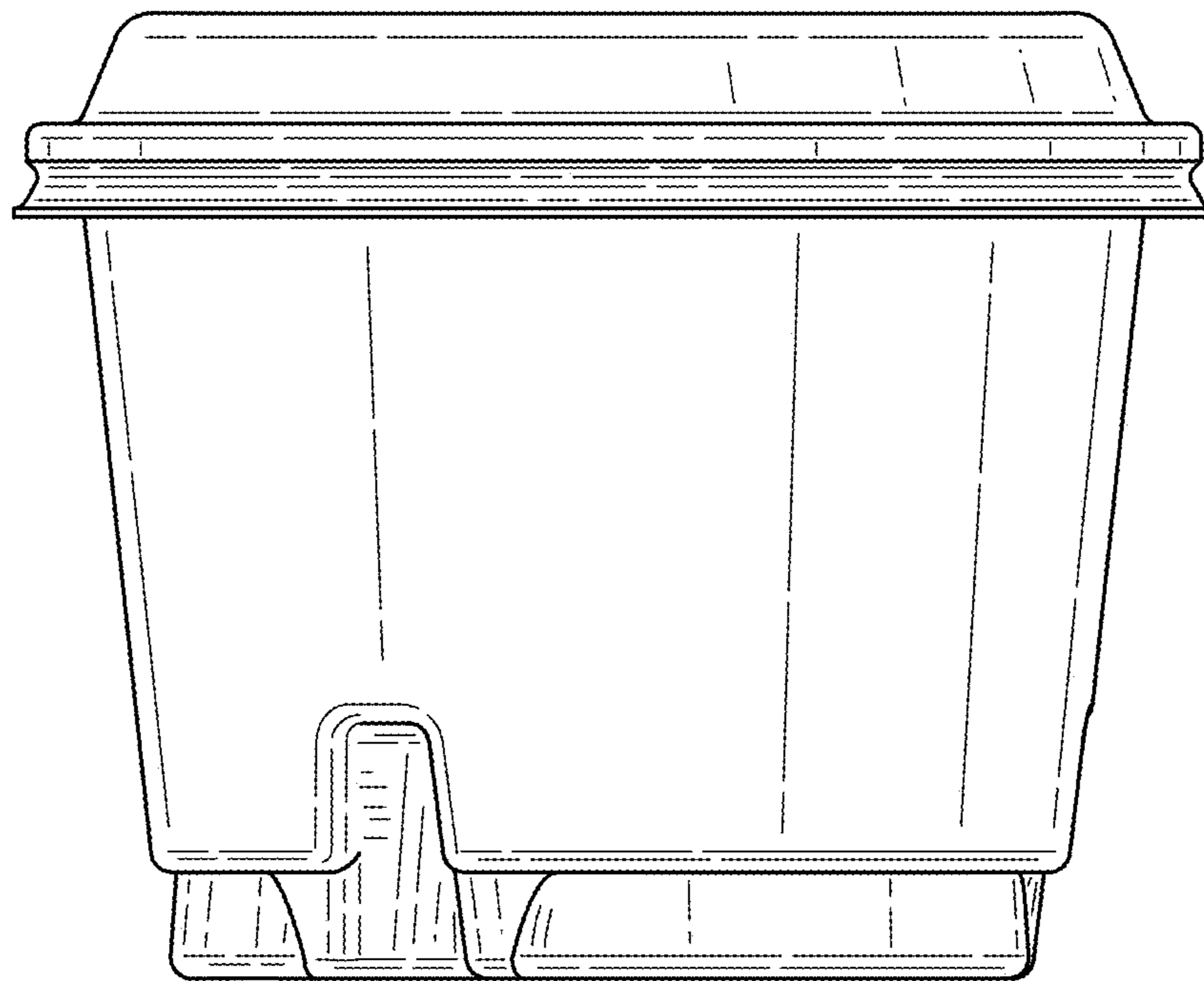


FIG.3

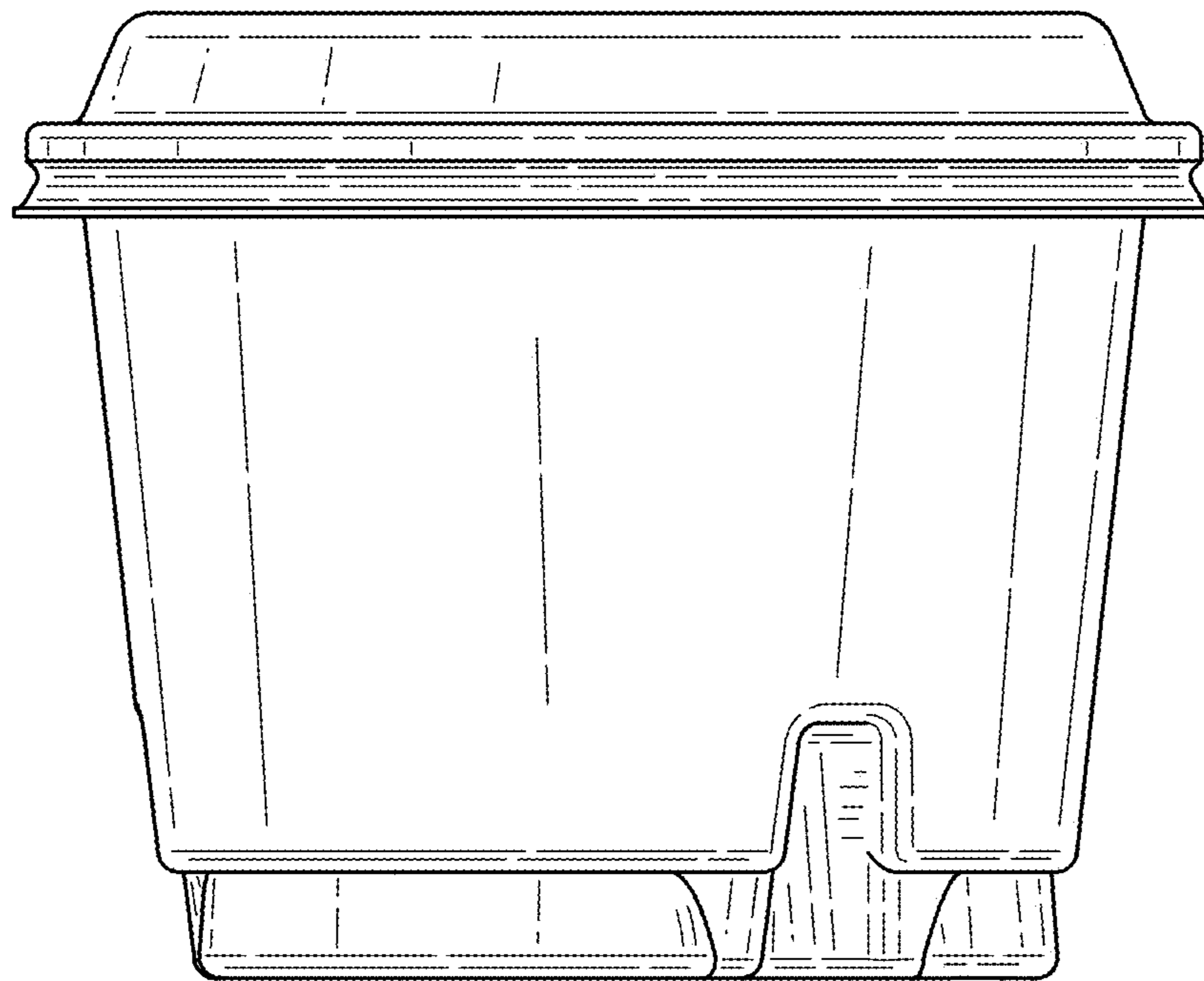


FIG.4



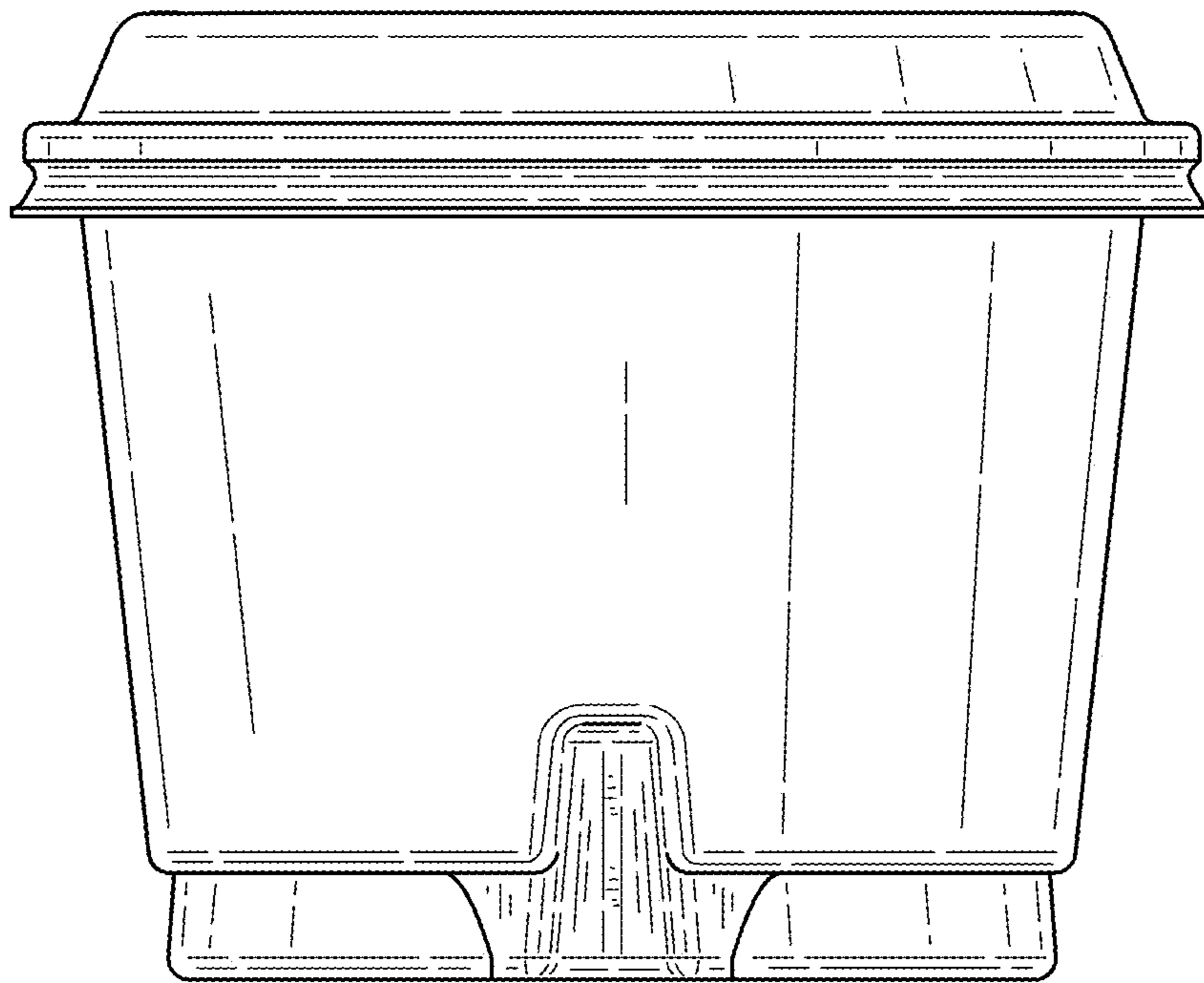


FIG.5

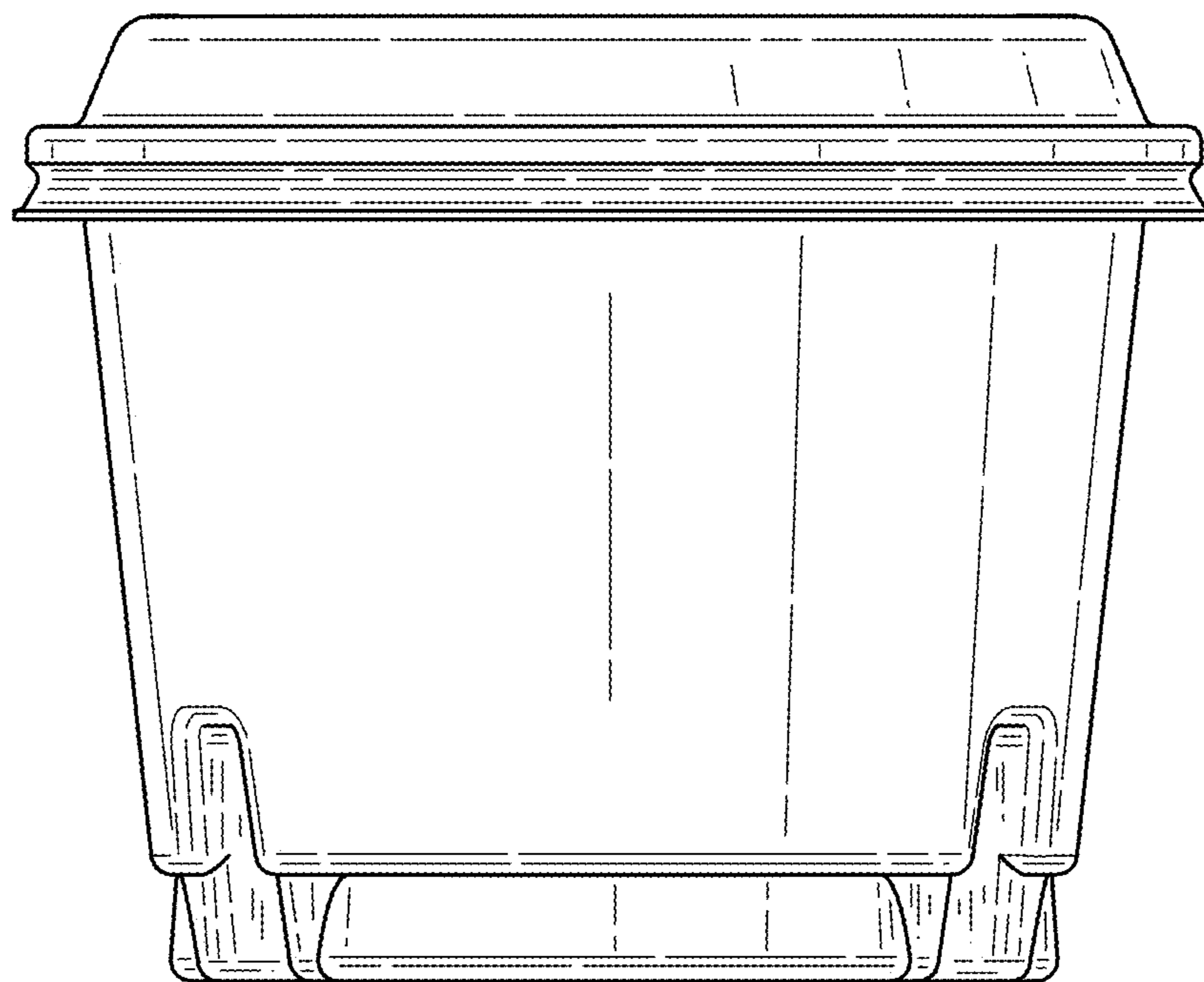


FIG. 6

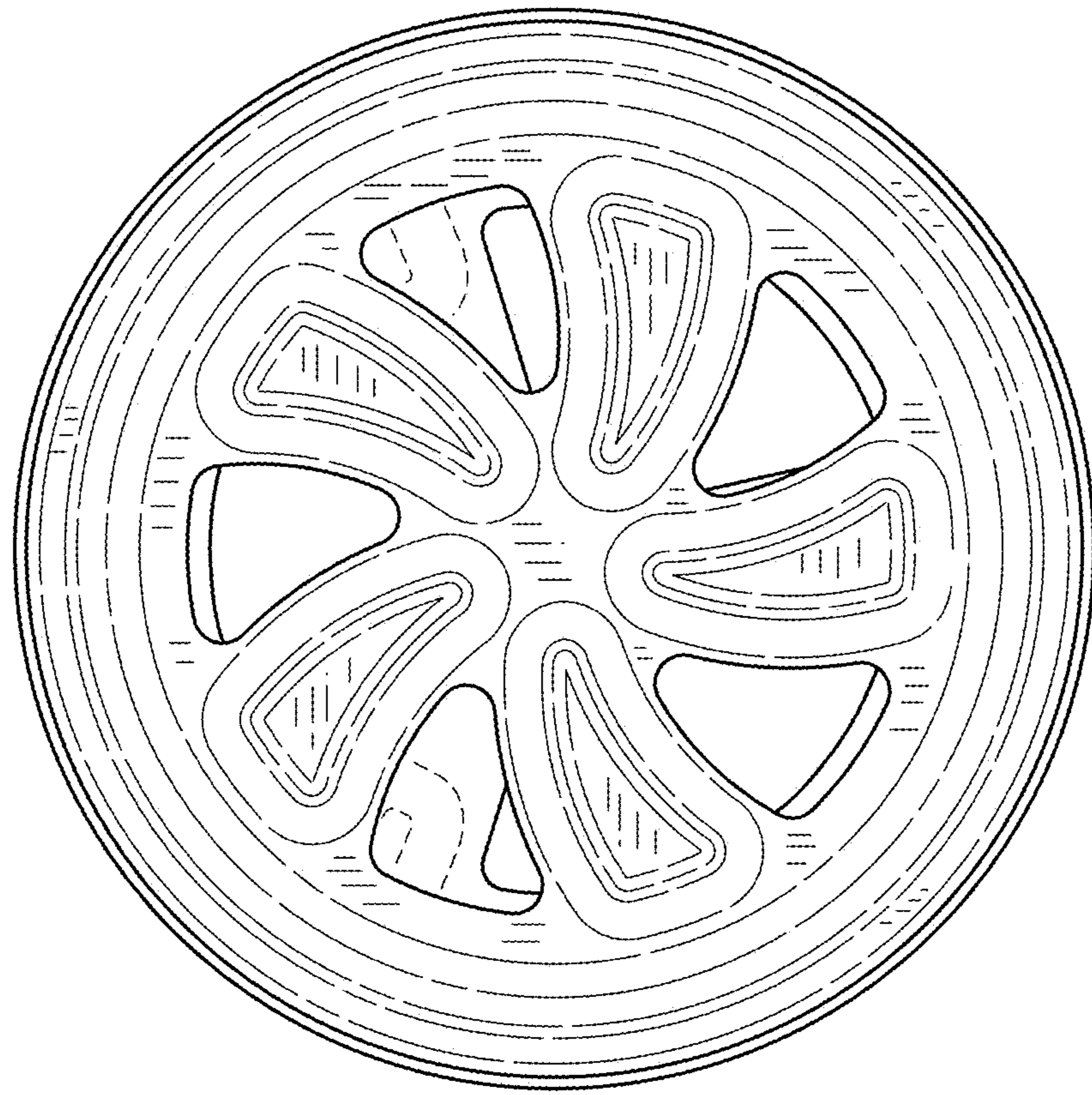


FIG.7



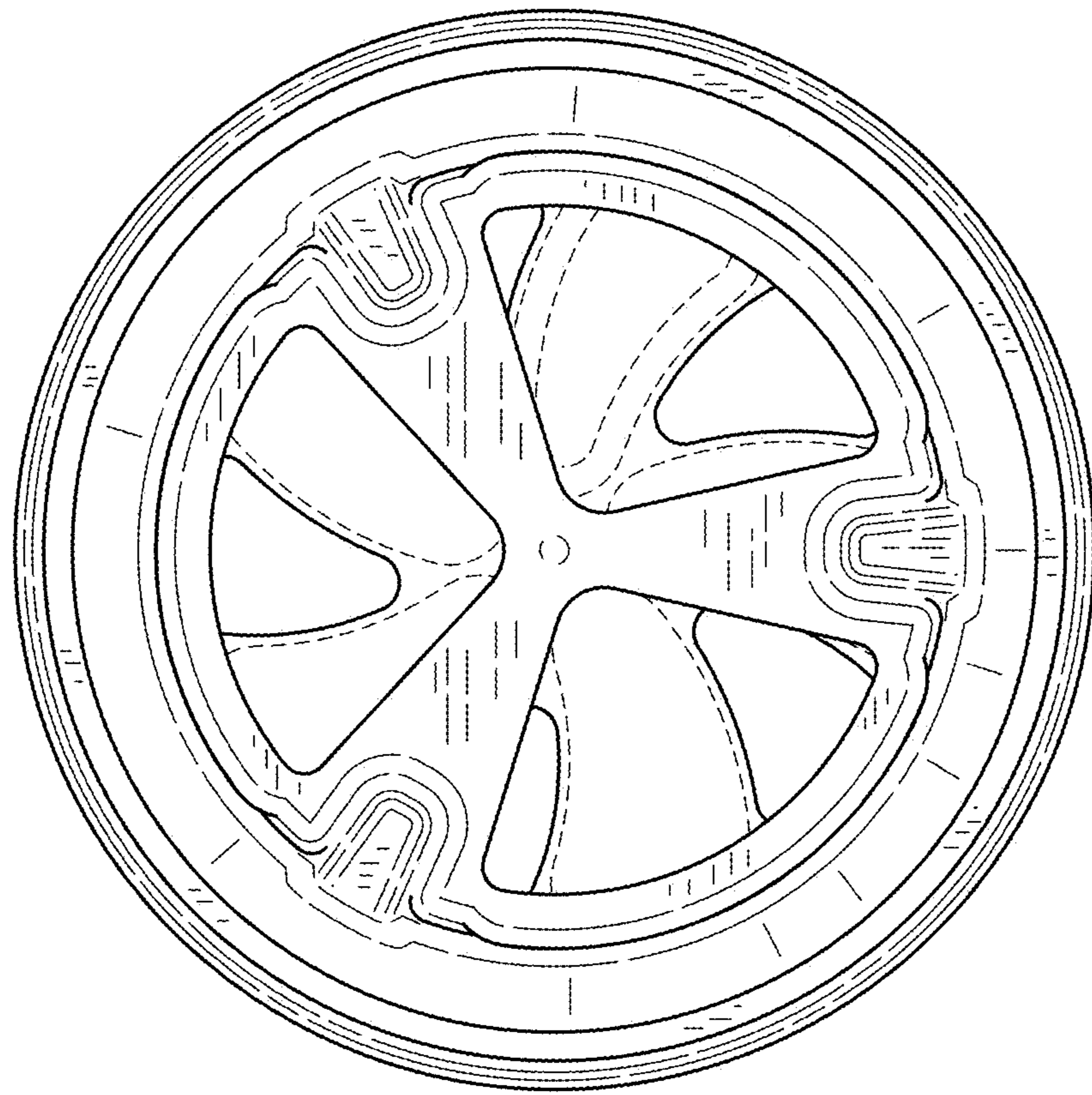


FIG.8