



US00D922863S

(12) **United States Design Patent**
Reiter

(10) **Patent No.:** **US D922,863 S**

(45) **Date of Patent:** **** Jun. 22, 2021**

(54) **MAGNETIC SNAP FASTENER**

D441,639 S * 5/2001 Reiter D8/382
D448,703 S * 10/2001 Lam D11/200
D452,137 S * 12/2001 Aoki D11/231

(71) Applicant: **Romag Fasteners, Inc.**, Orange, CT
(US)

(Continued)

(72) Inventor: **Howard J. Reiter**, Orange, CT (US)

Primary Examiner — Holly E Thurman

Assistant Examiner — Ieisha N Price

(73) Assignee: **Romag Fasteners, Inc.**, Orange, CT
(US)

(74) *Attorney, Agent, or Firm* — Wolf, Greenfield &
Sacks, P.C.

(**) Term: **15 Years**

(57) **CLAIM**

The ornamental design for a magnetic snap fastener, as shown and described.

(21) Appl. No.: **29/653,064**

DESCRIPTION

(22) Filed: **Jun. 12, 2018**

(51) **LOC (13) Cl.** **08-08**

(52) **U.S. Cl.**

USPC **D8/382**

(58) **Field of Classification Search**

USPC D11/220, 231; D8/349, 382

CPC . A44B 17/0041; A44B 17/00; A44B 17/0088;

A44B 17/007; A44B 17/0076; A41F 1/00;

A41F 1/002; A44D 2203/00; A45C

13/1069; Y10T 24/32

See application file for complete search history.

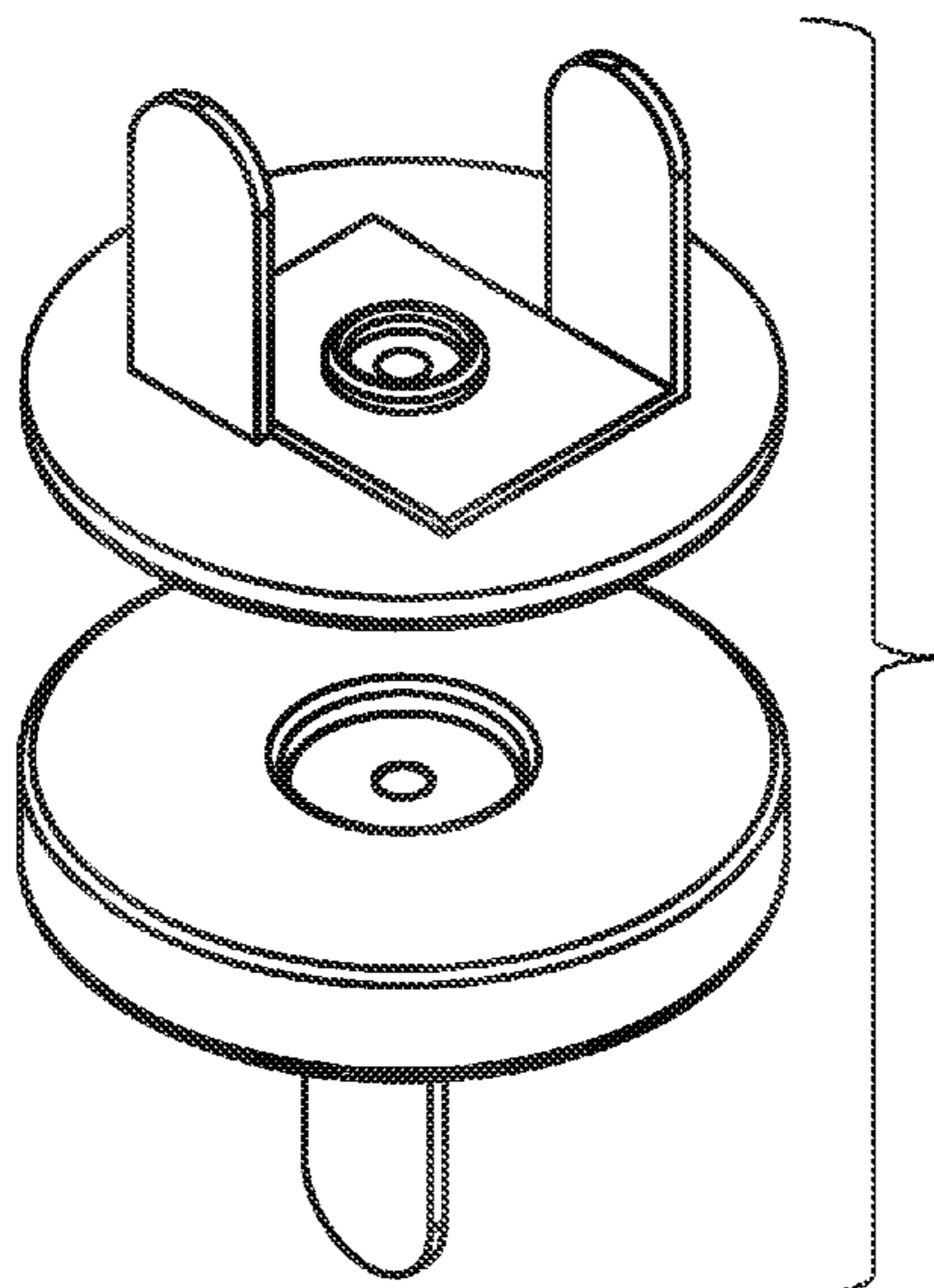
FIG. 1 is a top view of the magnetic snap fastener;
FIG. 2 is a bottom view of the magnetic snap fastener;
FIG. 3 is an exploded elevational view thereof, the reverse being a mirror image;
FIG. 4 is an exploded bottom perspective view thereof;
FIG. 5 is an exploded top perspective view thereof;
FIG. 6 is a top view of the female component of FIGS. 1-5, wherein the male component has been removed for ease of illustration;
FIG. 7 is a bottom view of the female component thereof;
FIG. 8 is a side elevational view of the female component thereof, the reverse being a mirror image;
FIG. 9 is a top perspective view of the female component thereof;
FIG. 10 is a bottom perspective view of the female component thereof;
FIG. 11 is a bottom view of the male component of FIGS. 1-5 wherein the female component has been removed for ease of illustration;
FIG. 12 is a top view of the male component thereof;
FIG. 13 is a side elevational view of the male component thereof, the reverse being a mirror image;
FIG. 14 is a bottom perspective view of the male component thereof; and,
FIG. 15 is a top perspective view of the male component thereof.

(56) **References Cited**

U.S. PATENT DOCUMENTS

D247,468 S * 3/1978 Morita D8/331
4,941,235 A * 7/1990 Aoki A45C 13/1069
24/303
D375,061 S * 10/1996 Morita D11/220
D386,669 S * 11/1997 Aoki D8/382
5,707,091 A * 1/1998 Morita E05C 19/16
24/303
5,722,126 A 3/1998 Reiter
D400,429 S * 11/1998 Morita D8/382
D401,889 S * 12/1998 Wong D11/220
D403,952 S * 1/1999 Podell D11/220
5,933,926 A 8/1999 Reiter
D438,451 S * 3/2001 Reiter D11/220

1 Claim, 3 Drawing Sheets



(56)

References Cited

U.S. PATENT DOCUMENTS

| | | | | | | |
|--------------|----|---|---------|--------|-------|------------------------|
| D452,813 | S | * | 1/2002 | Morita | | D11/220 |
| D453,105 | S | * | 1/2002 | Morita | | D11/220 |
| D454,482 | S | * | 3/2002 | Morita | | D8/382 |
| D457,834 | S | * | 5/2002 | Morita | | D11/220 |
| D464,562 | S | * | 10/2002 | Reiter | | D8/382 |
| D504,311 | S | * | 4/2005 | Aoki | | D8/382 |
| D506,921 | S | * | 7/2005 | Aoki | | D8/382 |
| D511,449 | S | * | 11/2005 | Aoki | | D8/382 |
| D527,618 | S | * | 9/2006 | Aoki | | D8/382 |
| D555,470 | S | * | 11/2007 | Aoki | | D8/382 |
| D556,032 | S | * | 11/2007 | Aoki | | D8/382 |
| D558,038 | S | * | 12/2007 | Aoki | | D8/382 |
| D569,717 | S | * | 5/2008 | Aoki | | D8/382 |
| D570,672 | S | * | 6/2008 | Aoki | | D8/382 |
| D572,579 | S | * | 7/2008 | Aoki | | D8/382 |
| D584,601 | S | * | 1/2009 | Aoki | | D8/382 |
| D584,602 | S | * | 1/2009 | Aoki | | D8/382 |
| D595,123 | S | * | 6/2009 | Aoki | | D8/382 |
| 2003/0024079 | A1 | * | 2/2003 | Morita | | A45C 13/1069 24/303 |

* cited by examiner

FIG. 1

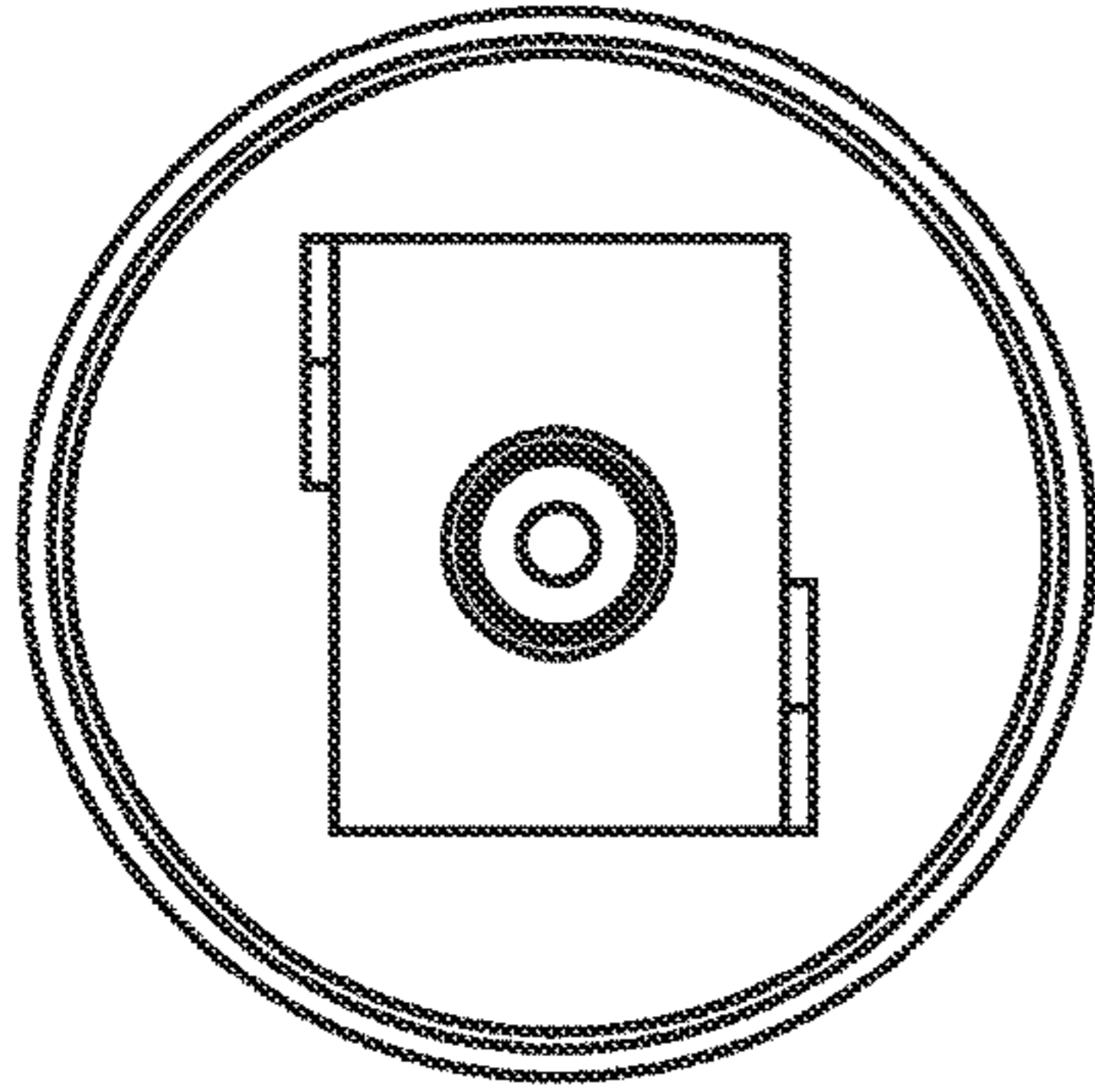


FIG. 2

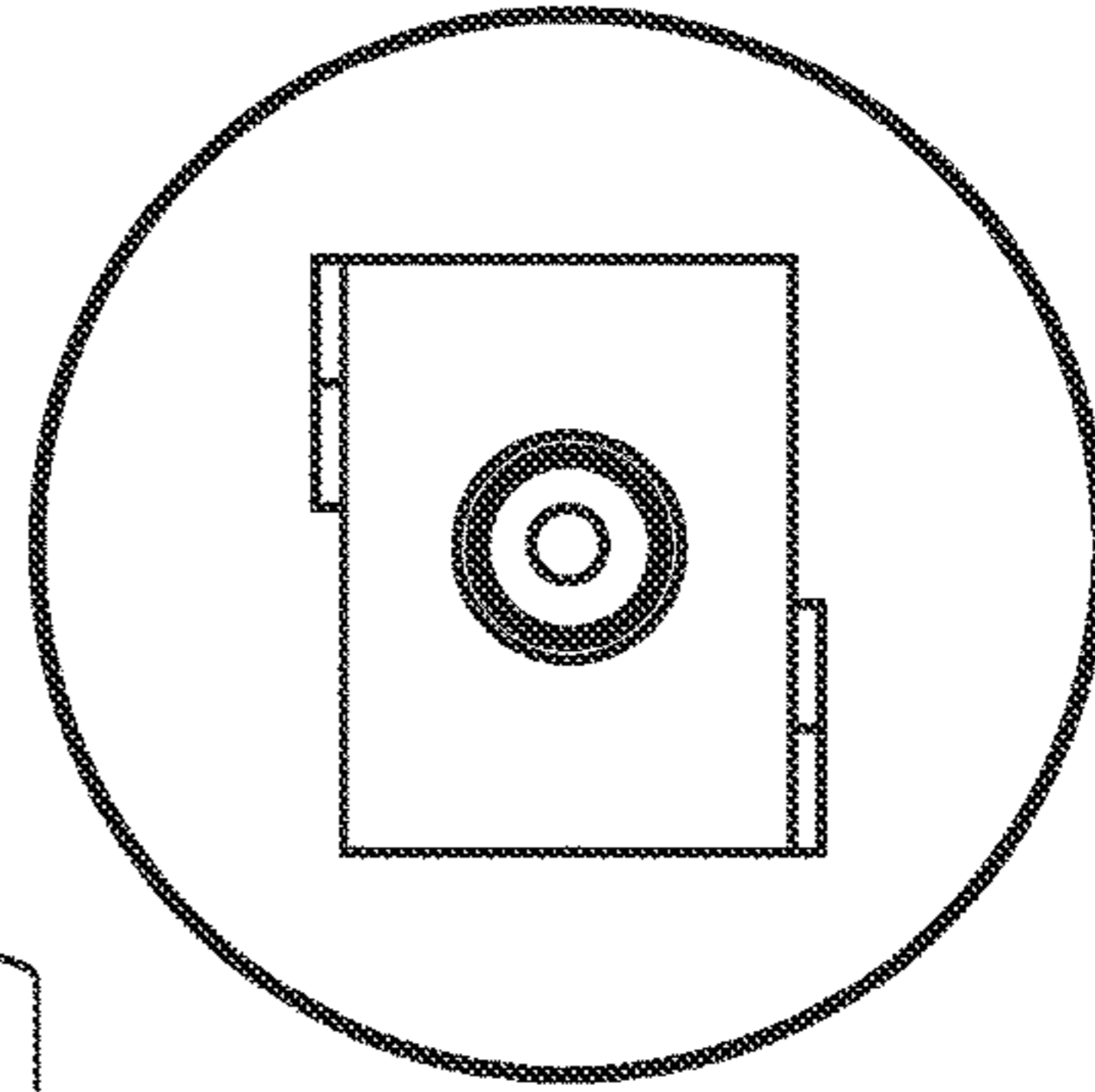


FIG. 3

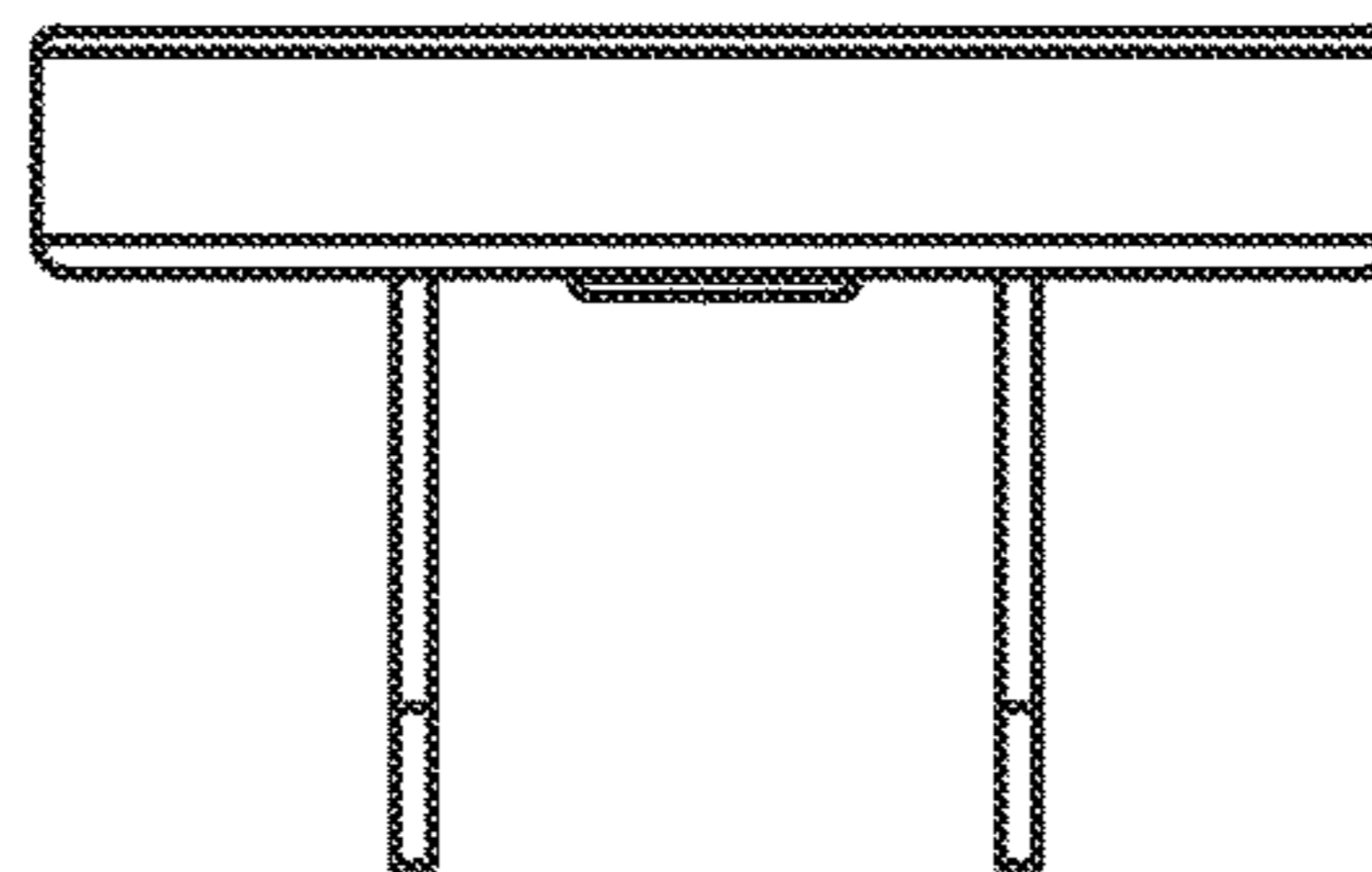
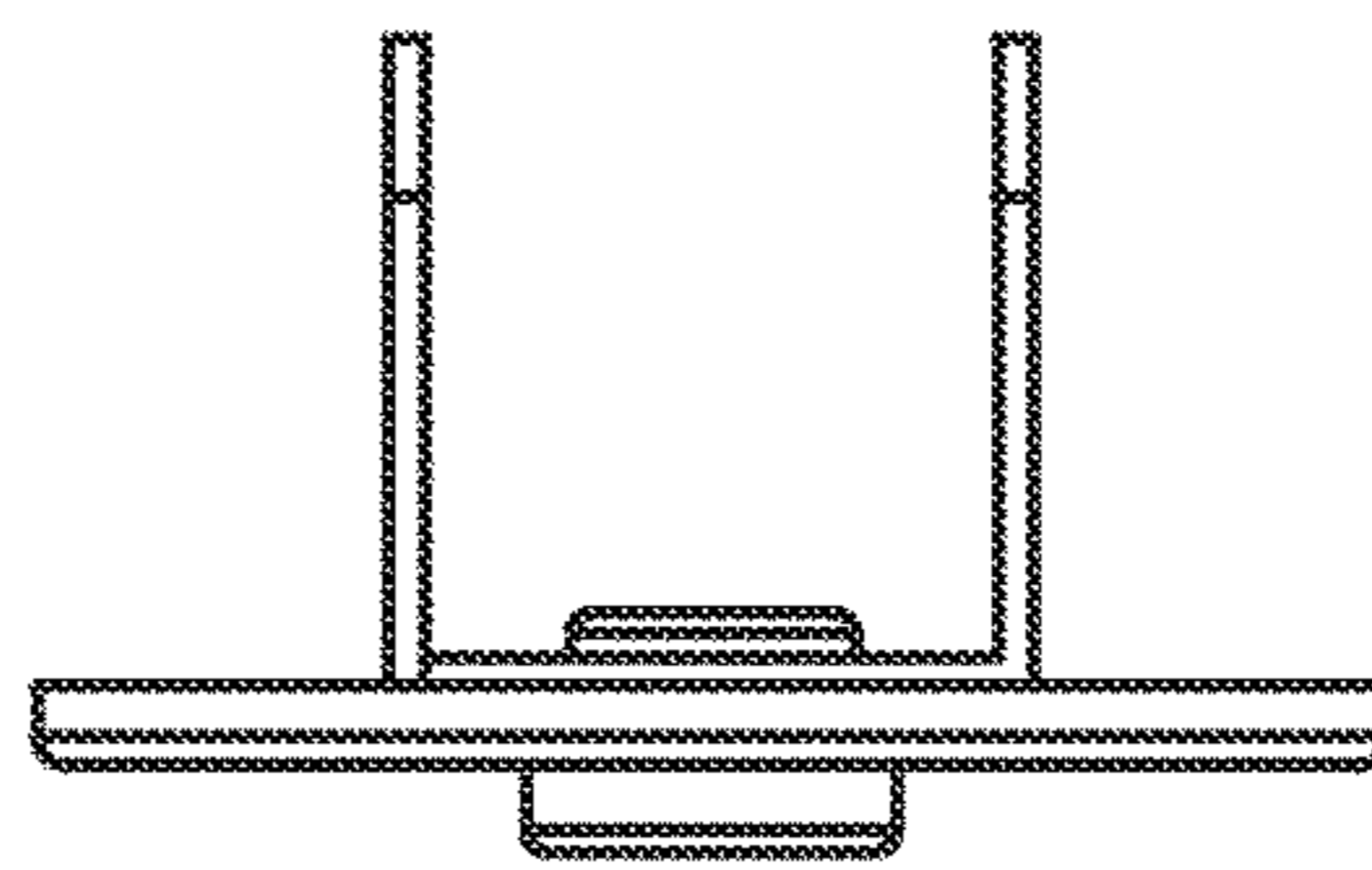


FIG. 4

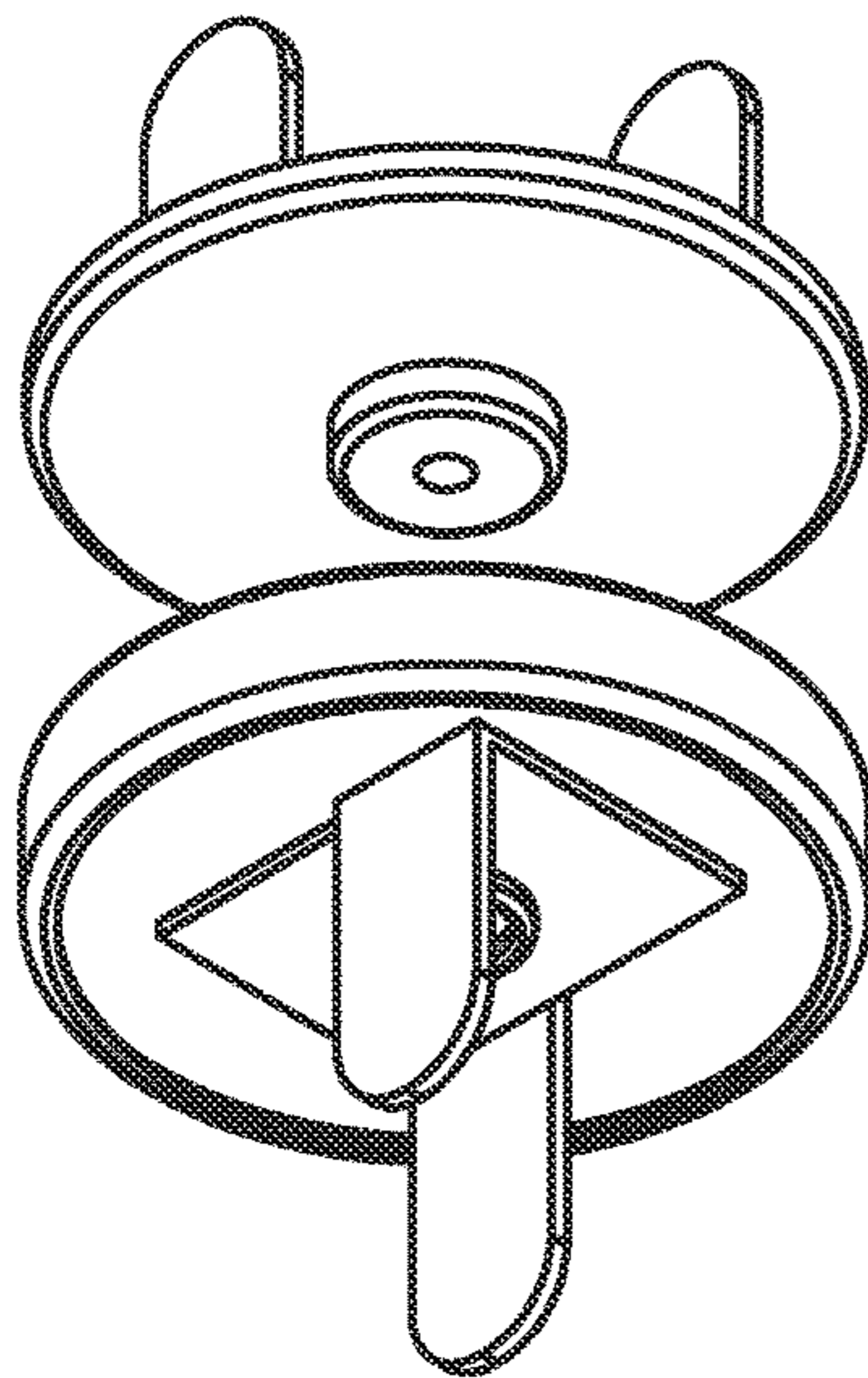


FIG. 5

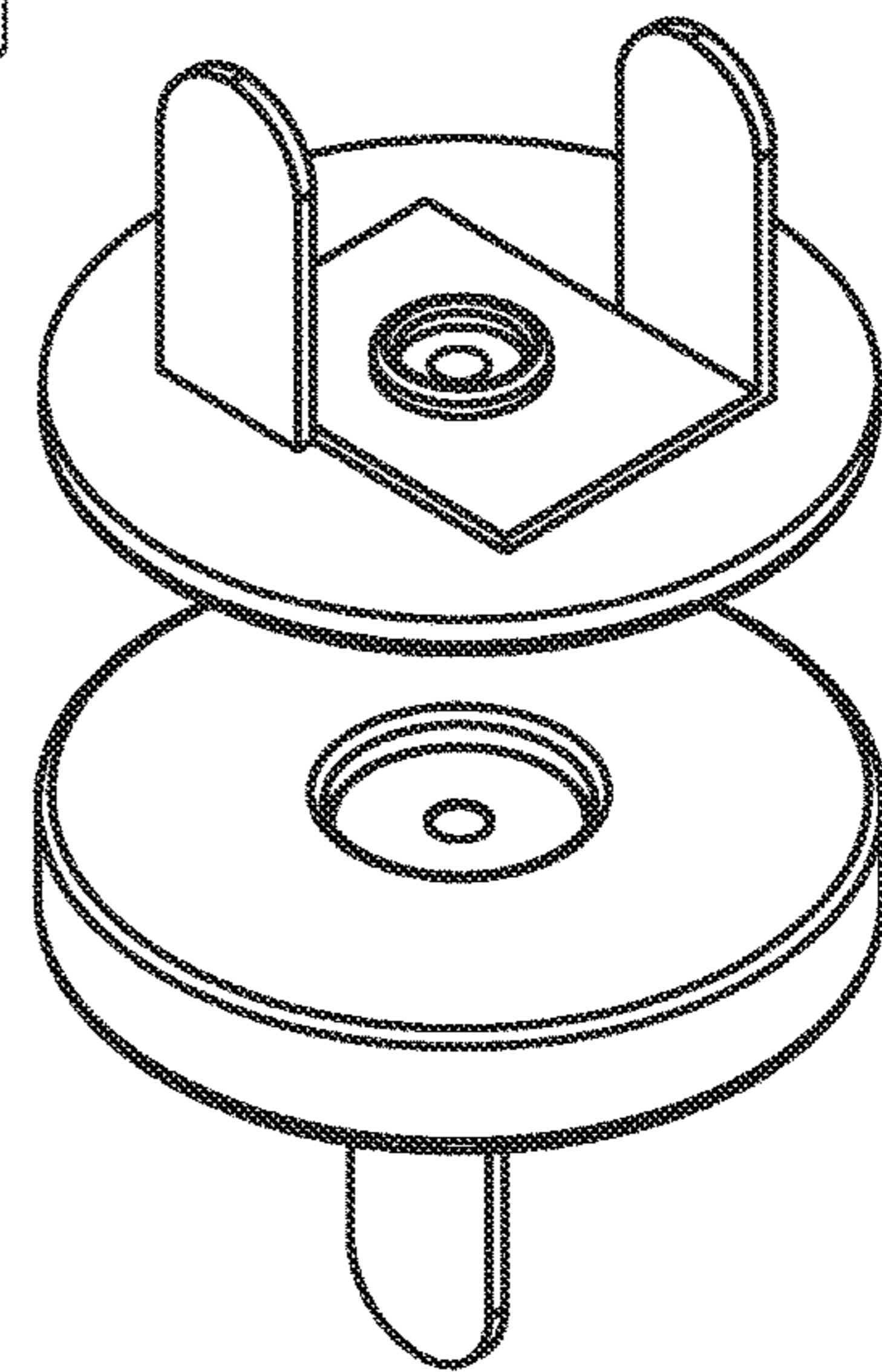


FIG. 6

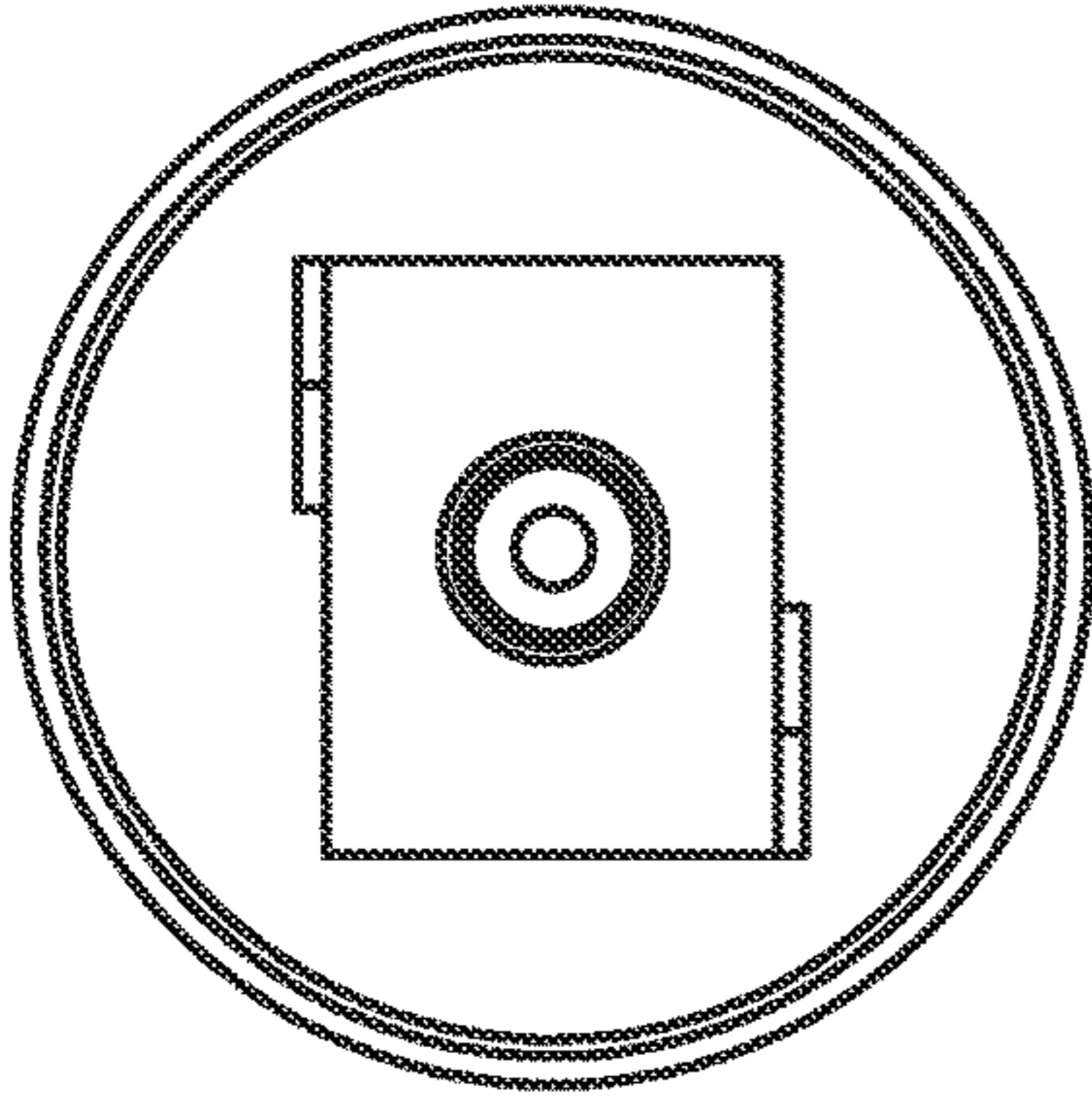


FIG. 7

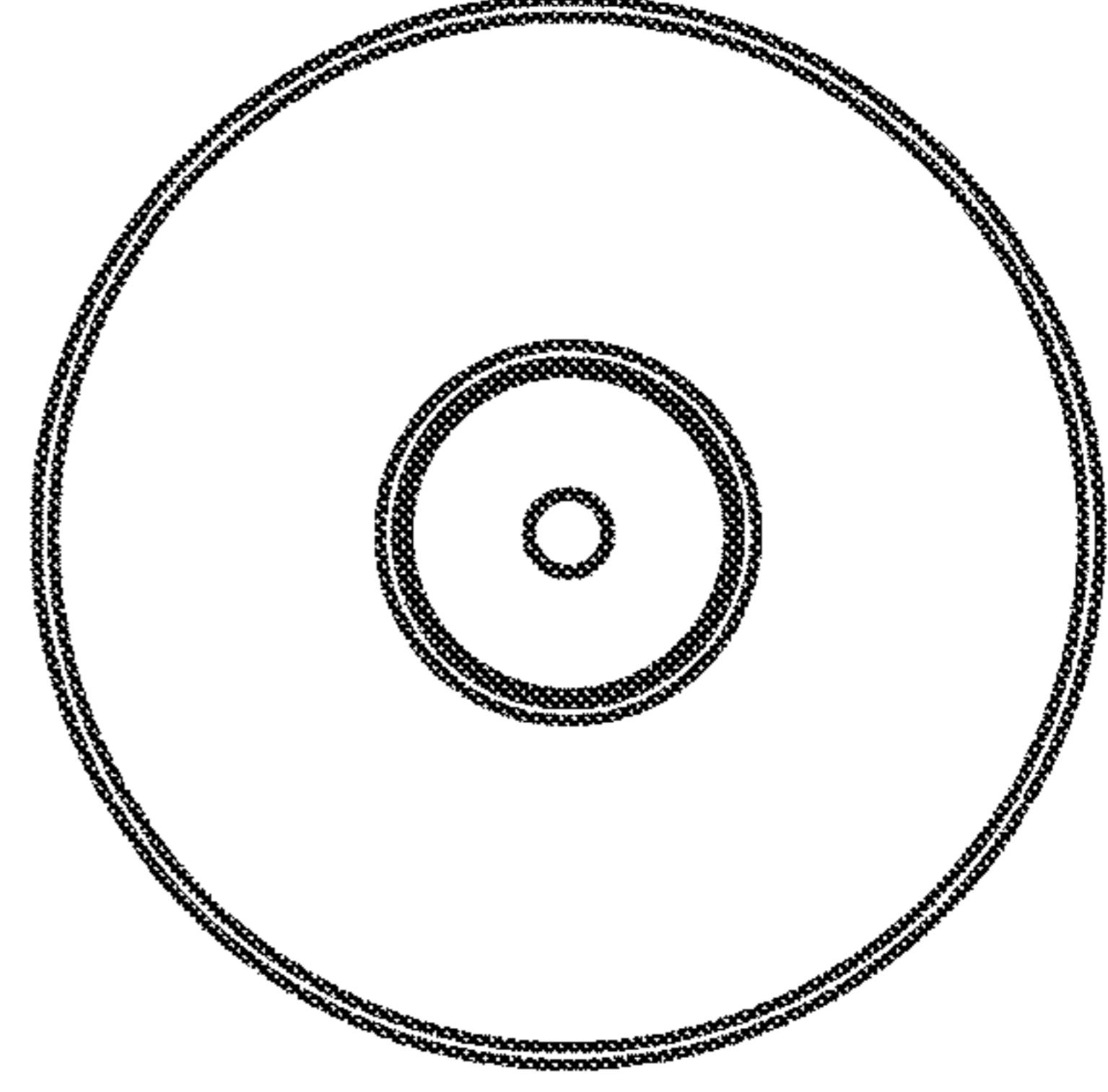


FIG. 8

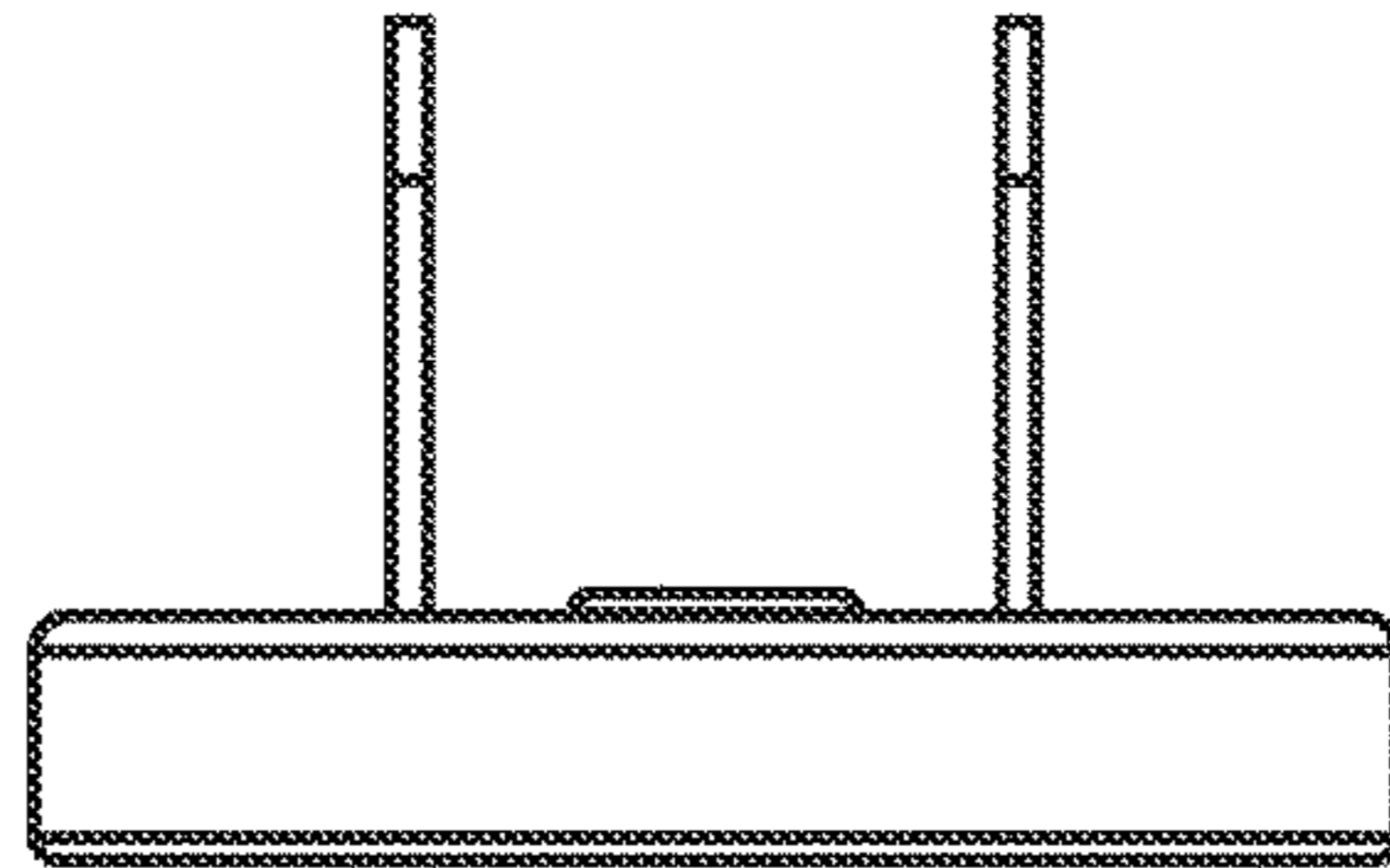


FIG. 9

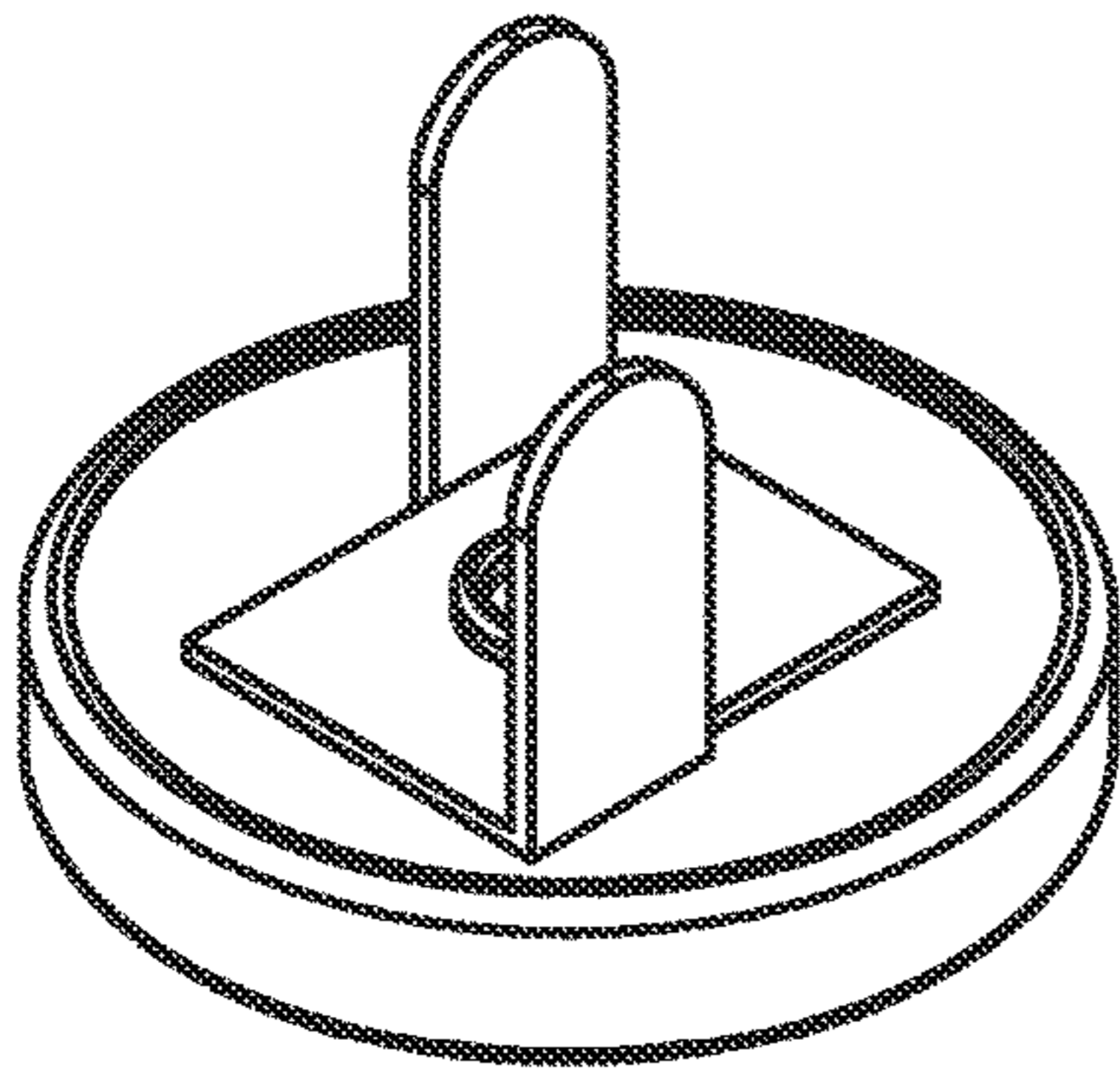


FIG. 10

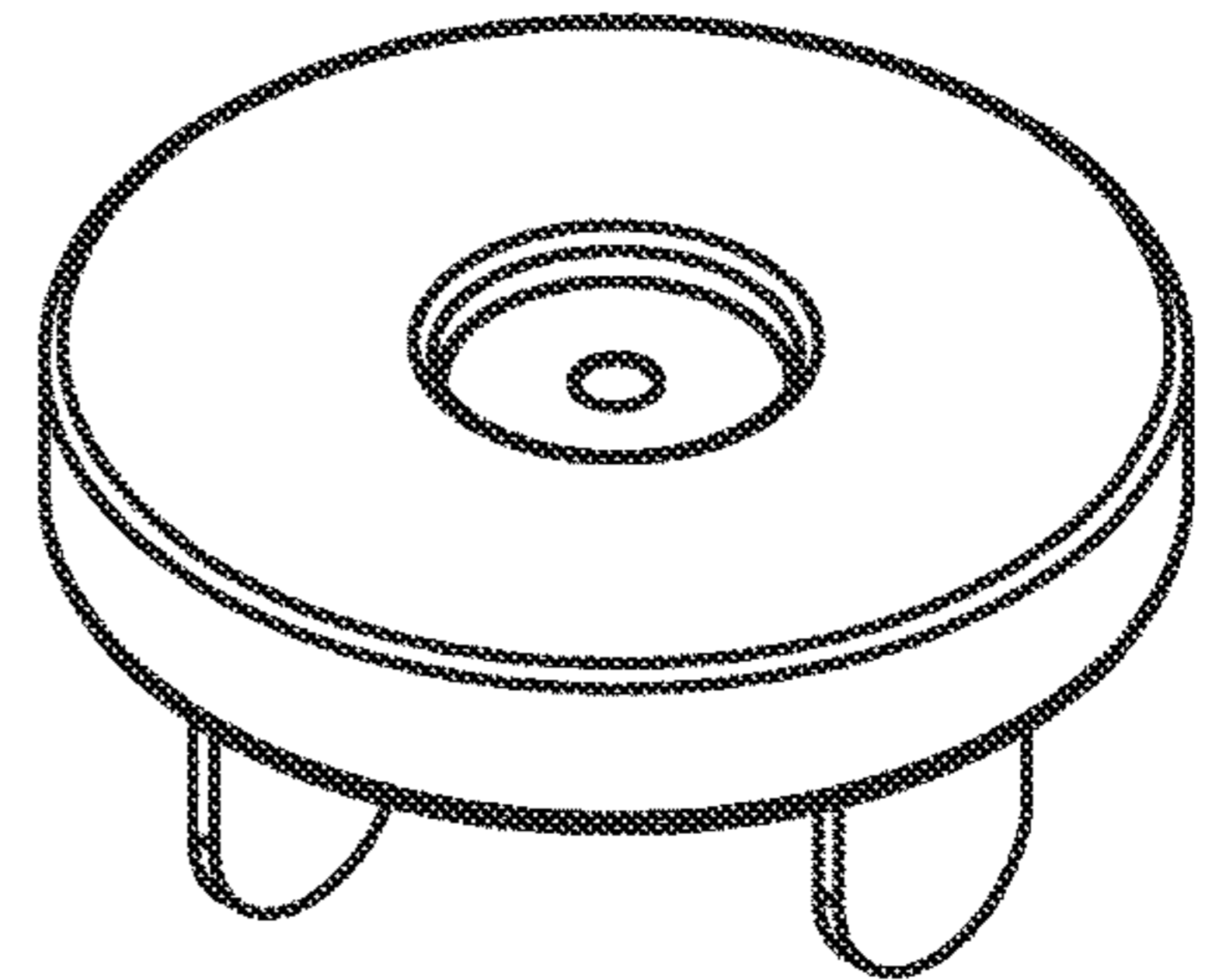


FIG. 11

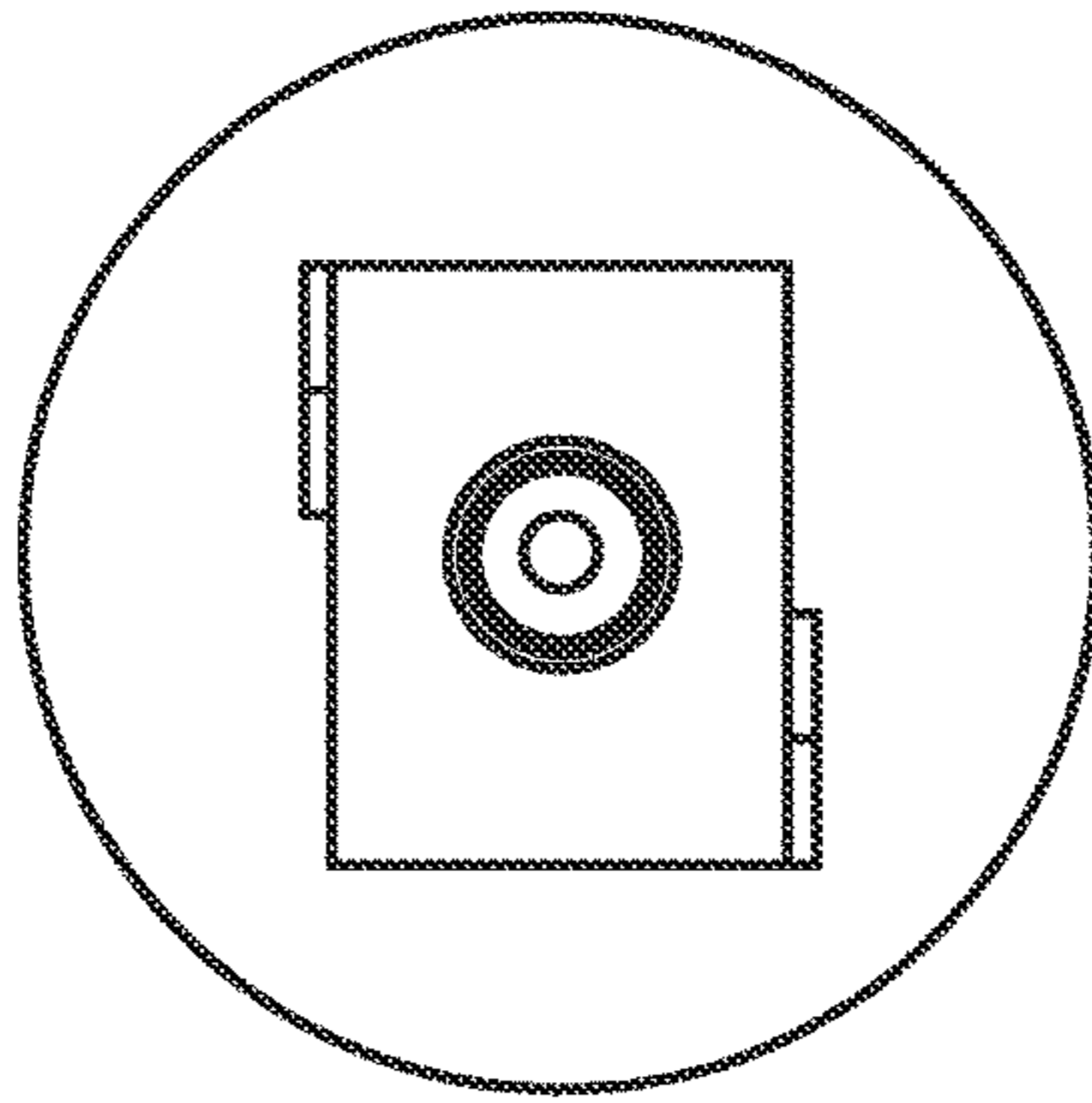


FIG. 12

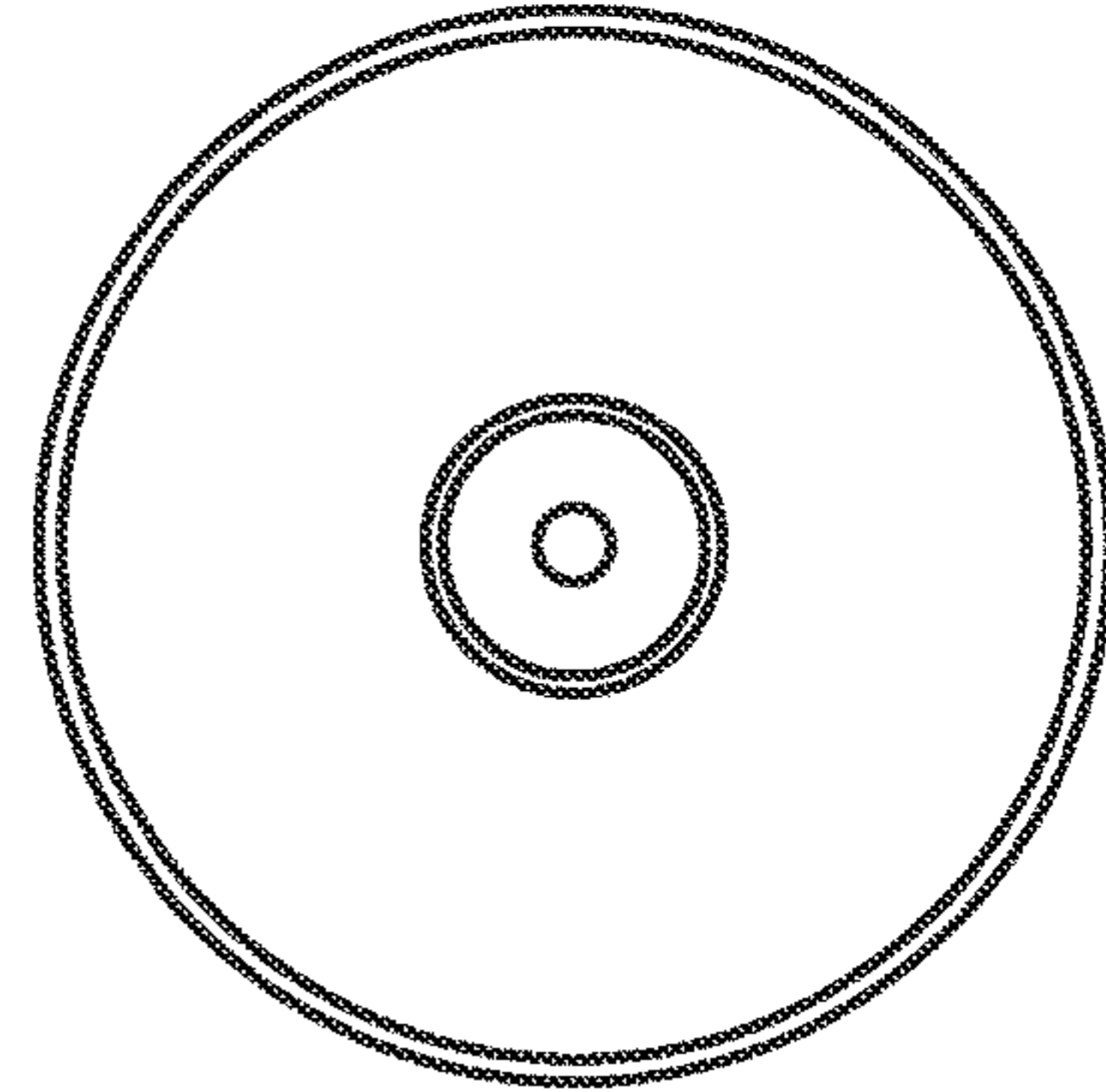


FIG. 13

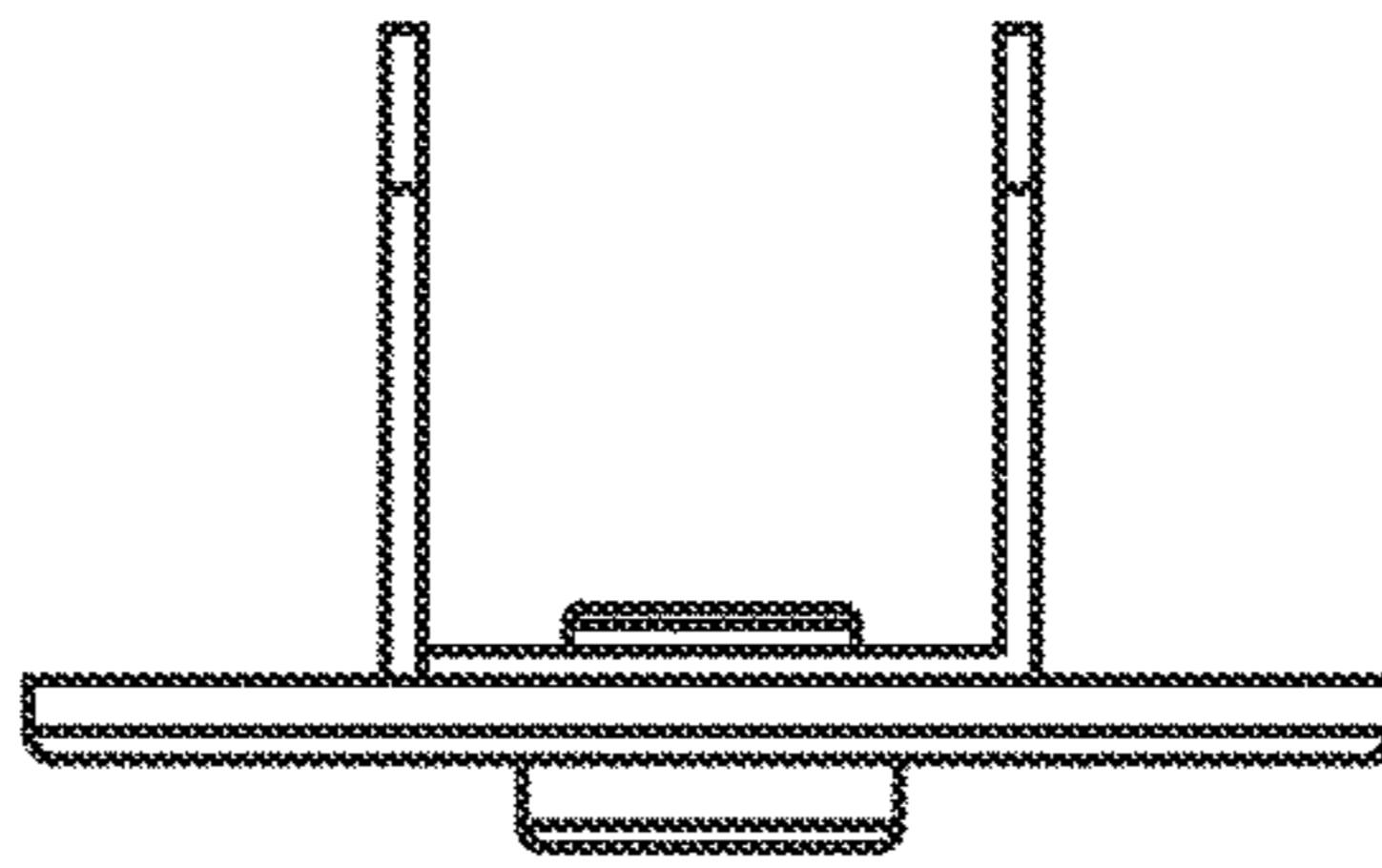


FIG. 14

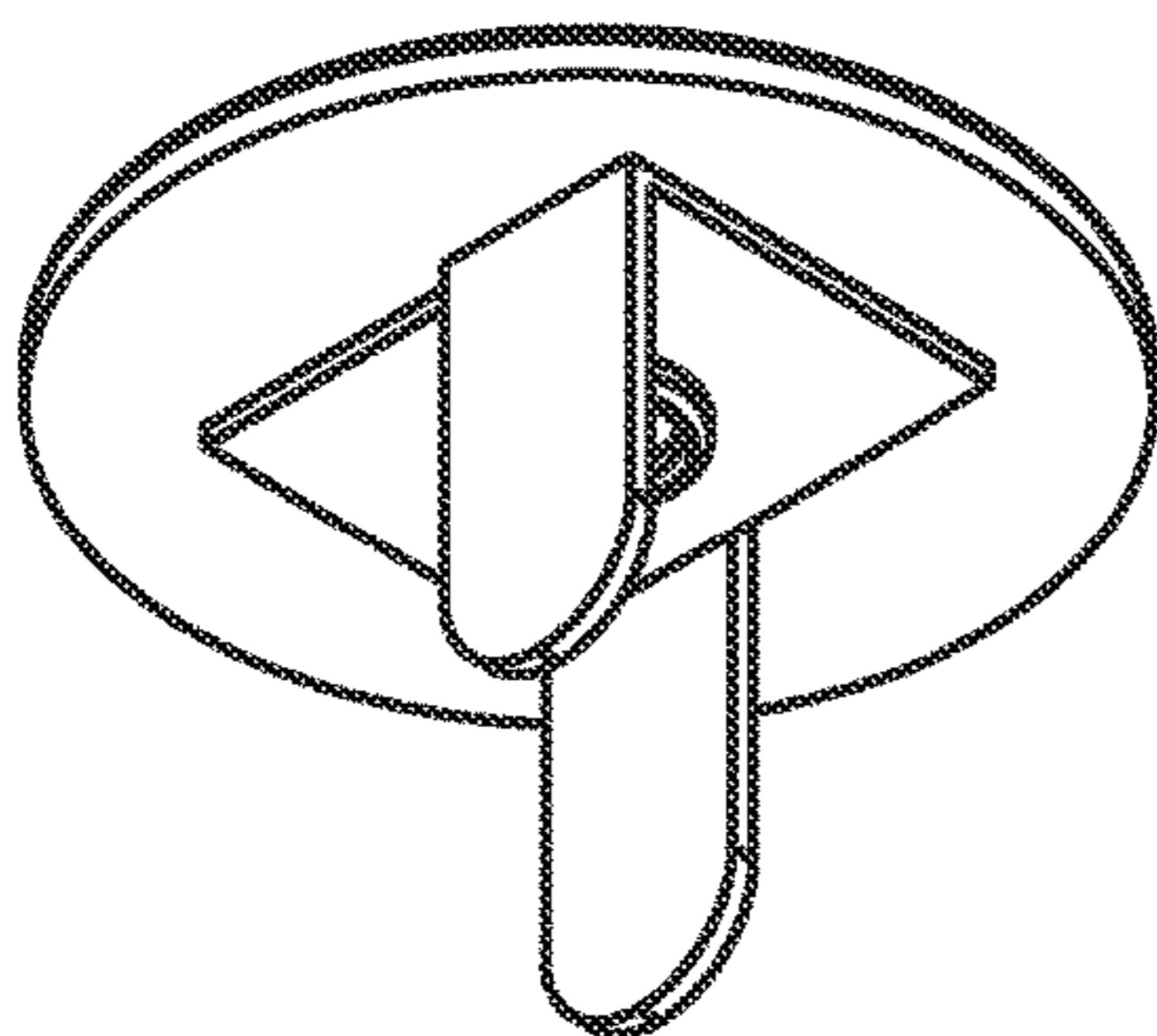


FIG. 15

