



US00D922862S

(12) **United States Design Patent** (10) **Patent No.:** **US D922,862 S**
Garcia (45) **Date of Patent:** **** Jun. 22, 2021**

(54) **NICHE BRACKET**

(71) Applicant: **COLUMBARIUM BY DESIGN, LLC**, Golden, CO (US)

(72) Inventor: **Gerardo G. Garcia**, Golden, CO (US)

(73) Assignee: **COLUMBARIUM BY DESIGN, LLC**, Golden, CO (US)

(**) Term: **15 Years**

(21) Appl. No.: **29/635,195**

(22) Filed: **Jan. 29, 2018**

(51) **LOC (13) Cl.** **08-05**

(52) **U.S. Cl.**
USPC **D8/381; D8/382**

(58) **Field of Classification Search**
USPC **D8/381, 382, 349, 354, 363, 373, 374, D8/376, 380, 394**

(Continued)

(56) **References Cited**

U.S. PATENT DOCUMENTS

3,252,287 A * 5/1966 Suzuki E02D 29/02
405/29
4,714,370 A * 12/1987 Chen A47B 47/0008
403/171

(Continued)

OTHER PUBLICATIONS

Design U.S. Appl. No. 29/646,099, Inventor Gerardo G. Garcia, filed May 1, 2018.

(Continued)

Primary Examiner — Keli L Hill

Assistant Examiner — Harold E Blackwell, II

(74) *Attorney, Agent, or Firm* — Amin, Turocy & Watson, LLP

(57) **CLAIM**

The ornamental design for a niche bracket, as shown and described.

DESCRIPTION

FIG. 1 is a perspective view of a first embodiment of a niche bracket showing my new design;

FIG. 2 is front plan view of the first embodiment;

FIG. 3 is a back plan view of the first embodiment;

FIG. 4 is a bottom elevation view of the first embodiment, the top elevation view being a mirror image;

FIG. 5 is a left side elevation view of the first embodiment, the right side elevation view being a mirror image;

FIG. 6 is a perspective view of a second embodiment of a niche bracket showing my new design;

FIG. 7 is a front plan view of the second embodiment;

FIG. 8 is back plan view of the second embodiment;

FIG. 9 is a bottom elevation view of the second embodiment;

FIG. 10 is a left side elevation view of the second embodiment, the right side elevation view being a mirror image;

FIG. 11 is a top elevation view of the second embodiment;

FIG. 12 is a perspective view of a third embodiment of a niche bracket showing my new design;

FIG. 13 is a front plan view of the third embodiment;

FIG. 14 is back plan view of the third embodiment;

FIG. 15 is a bottom elevation view of the third embodiment, the top elevation view being a mirror image;

FIG. 16 is a left side elevation view of the third embodiment, the right side elevation view being a mirror image;

FIG. 17 is a perspective view of a fourth embodiment of a niche bracket showing my new design;

FIG. 18 is a front plan view of the fourth embodiment;

FIG. 19 is back plan view of the fourth embodiment;

FIG. 20 is a bottom elevation view of the fourth embodiment;

FIG. 21 is a left side elevation view of the fourth embodiment, the right side elevation view being a mirror image;

FIG. 22 is a top elevation view of the fourth embodiment;

FIG. 23 is a perspective view of a fifth embodiment of a niche bracket showing my new design;

FIG. 24 is a front plan view of the fifth embodiment;

FIG. 25 is back plan view of the fifth embodiment;

(Continued)

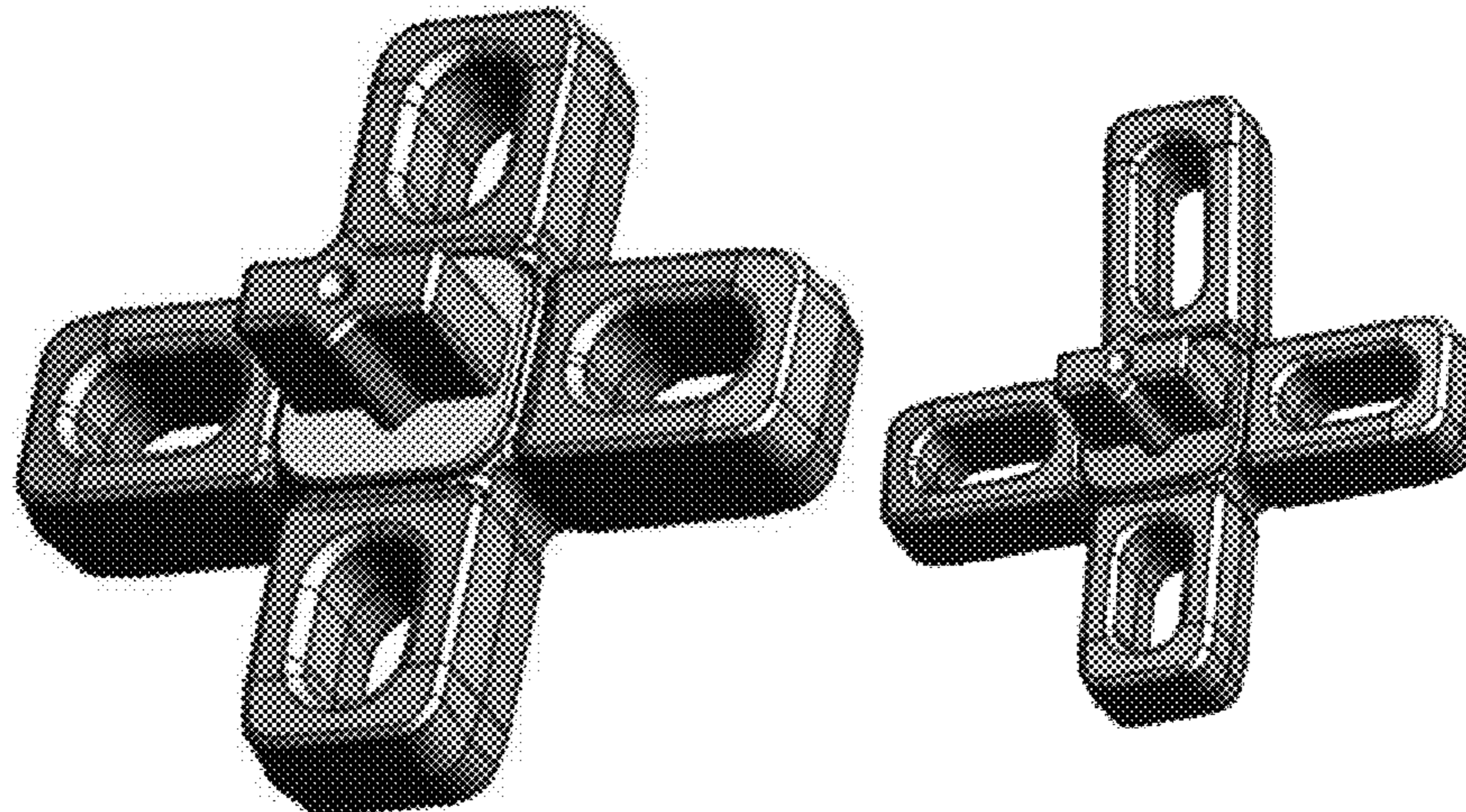


FIG. 26 is a bottom elevation view of the fifth embodiment, the top elevation view being a mirror image; and, FIG. 27 is a left side elevation view of the fifth embodiment, the right side elevation view being a mirror image.

1 Claim, 5 Drawing Sheets

(58) **Field of Classification Search**

CPC E04H 13/006; E04H 13/008; E04G 7/12; E04G 7/02; E02D 17/205; A47B 47/00; A47B 47/0025; A47B 47/0033; A47B 47/0091; A47B 47/0008; A47B 47/0016
See application file for complete search history.

(56) **References Cited**

U.S. PATENT DOCUMENTS

D311,680 S * 10/1990 Miall D8/382
D355,588 S * 2/1995 Kuwata D8/382
D355,589 S * 2/1995 Kuwata D8/382
D355,590 S * 2/1995 Kuwata D8/382
D355,843 S * 2/1995 Kuwata D8/382
D637,899 S * 5/2011 Tedesco D8/394
8,955,928 B2 * 2/2015 Cheng A47B 47/0033
312/265.2
D745,820 S * 12/2015 Alvarez Brena D8/349
D750,955 S 3/2016 Alvarez Brena

9,414,985 B2 8/2016 Ugartechea Berlanga
D773,293 S 12/2016 Ugartechea Berlanga
D799,311 S * 10/2017 Mamie D8/382
D811,334 S * 2/2018 Weng D13/133
D823,669 S * 7/2018 Macdonald D8/349
10,036,156 B1 * 7/2018 Macdonald E04F 13/0896
10,123,615 B2 * 11/2018 Chung F16B 12/46
10,138,650 B1 * 11/2018 Garcia E04H 13/008
D839,075 S * 1/2019 Macdonald D8/349
D891,814 S * 8/2020 Garcia D6/559
10,774,518 B1 * 9/2020 Eller E04B 1/2403
2013/0306808 A1 * 11/2013 Huang A47B 13/06
248/163.1
2015/0076099 A1 * 3/2015 Chang A47B 55/02
211/186
2015/0308141 A1 * 10/2015 Ugartechea Berlanga
A61G 99/00
52/135
2015/0335151 A1 * 11/2015 Funfgeld F16B 12/44
403/205
2017/0362811 A1 * 12/2017 King, Jr. F16B 12/10
2019/0284829 A1 * 9/2019 Garcia E04H 13/008

OTHER PUBLICATIONS

U.S. Appl. No. 15/919,446, Inventor Gerardo G. Garcia, filed Mar. 13, 2018.
Columbarium by Design, Product Catalog, Feb. 2016.

* cited by examiner

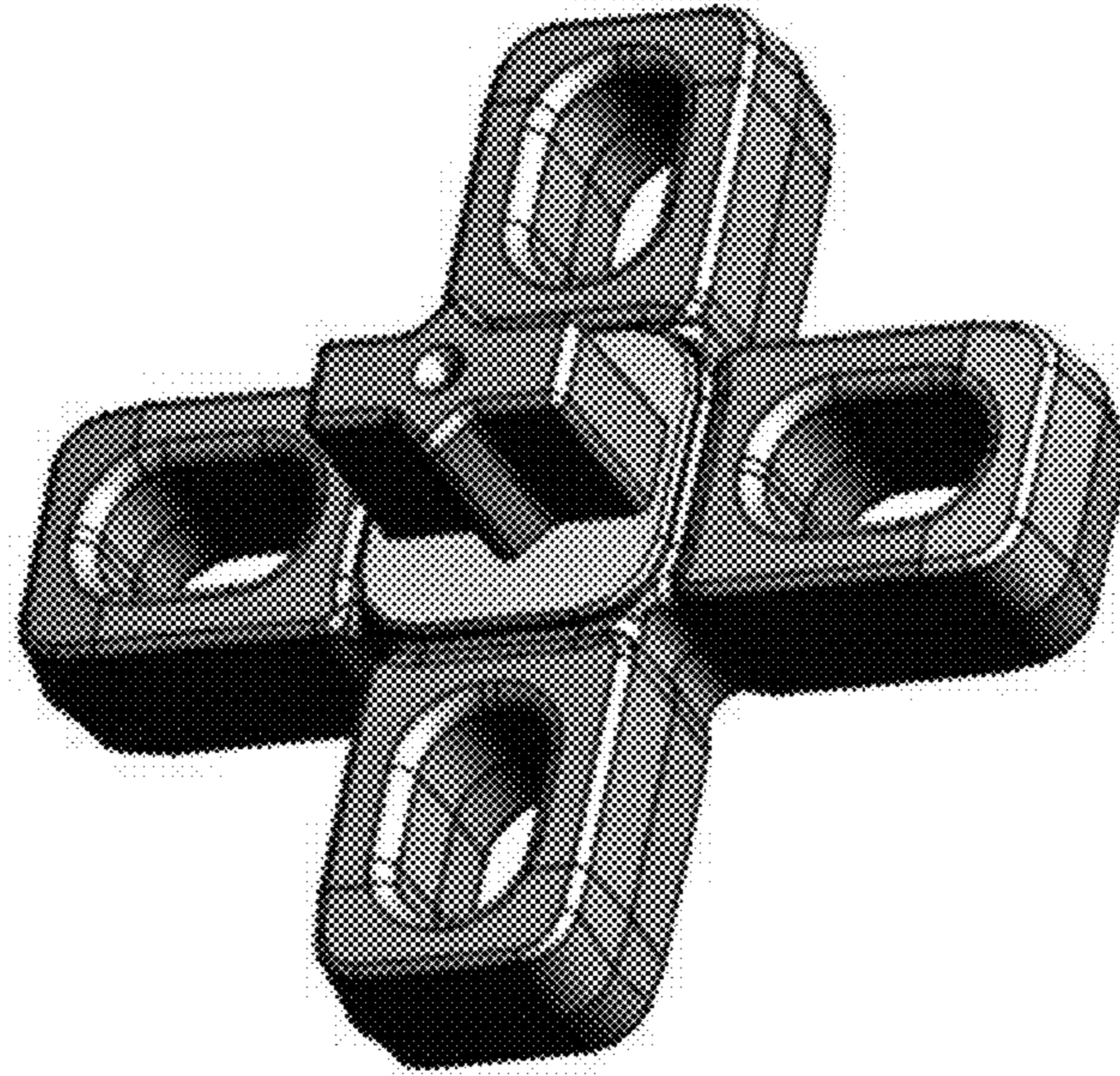


FIG. 1

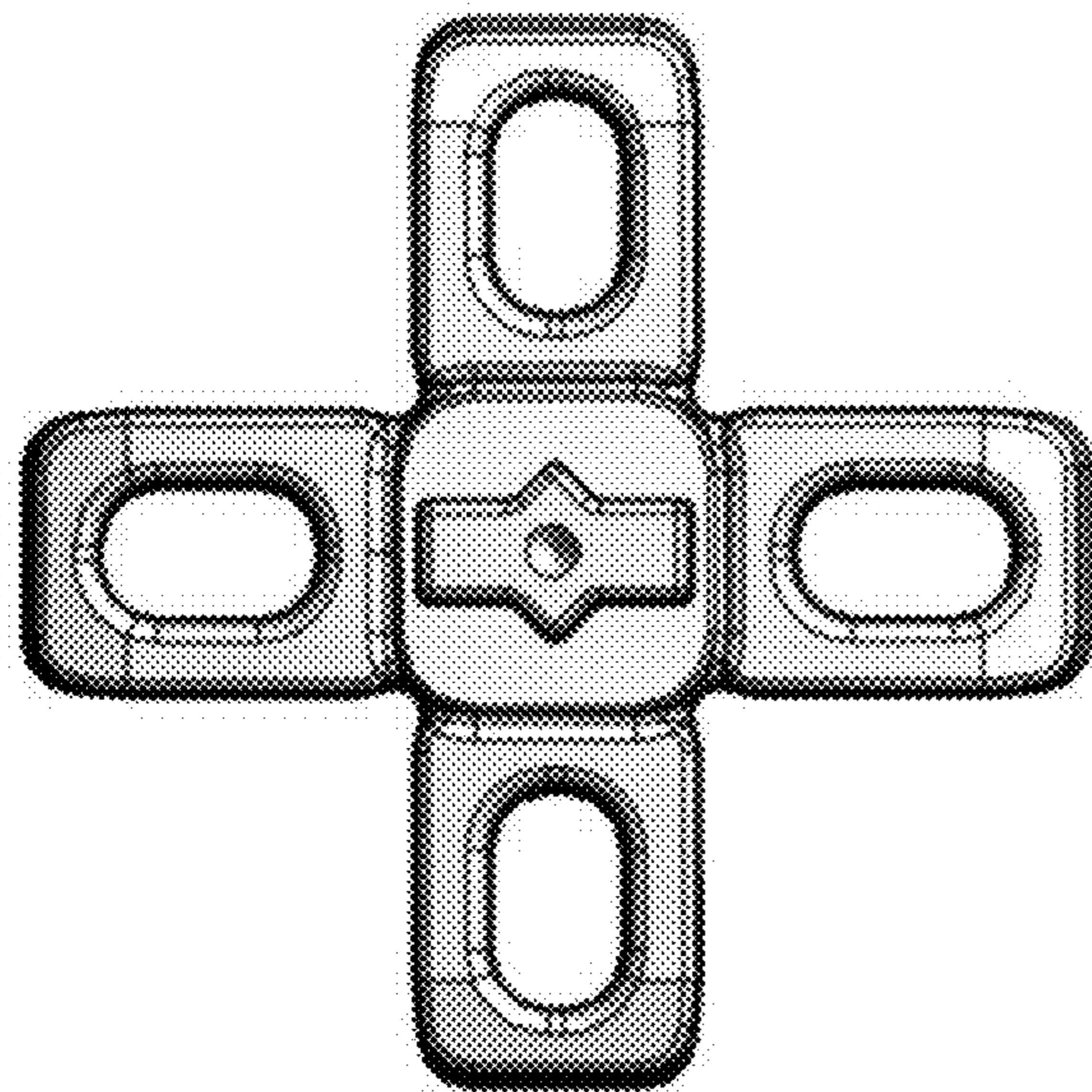


FIG. 2

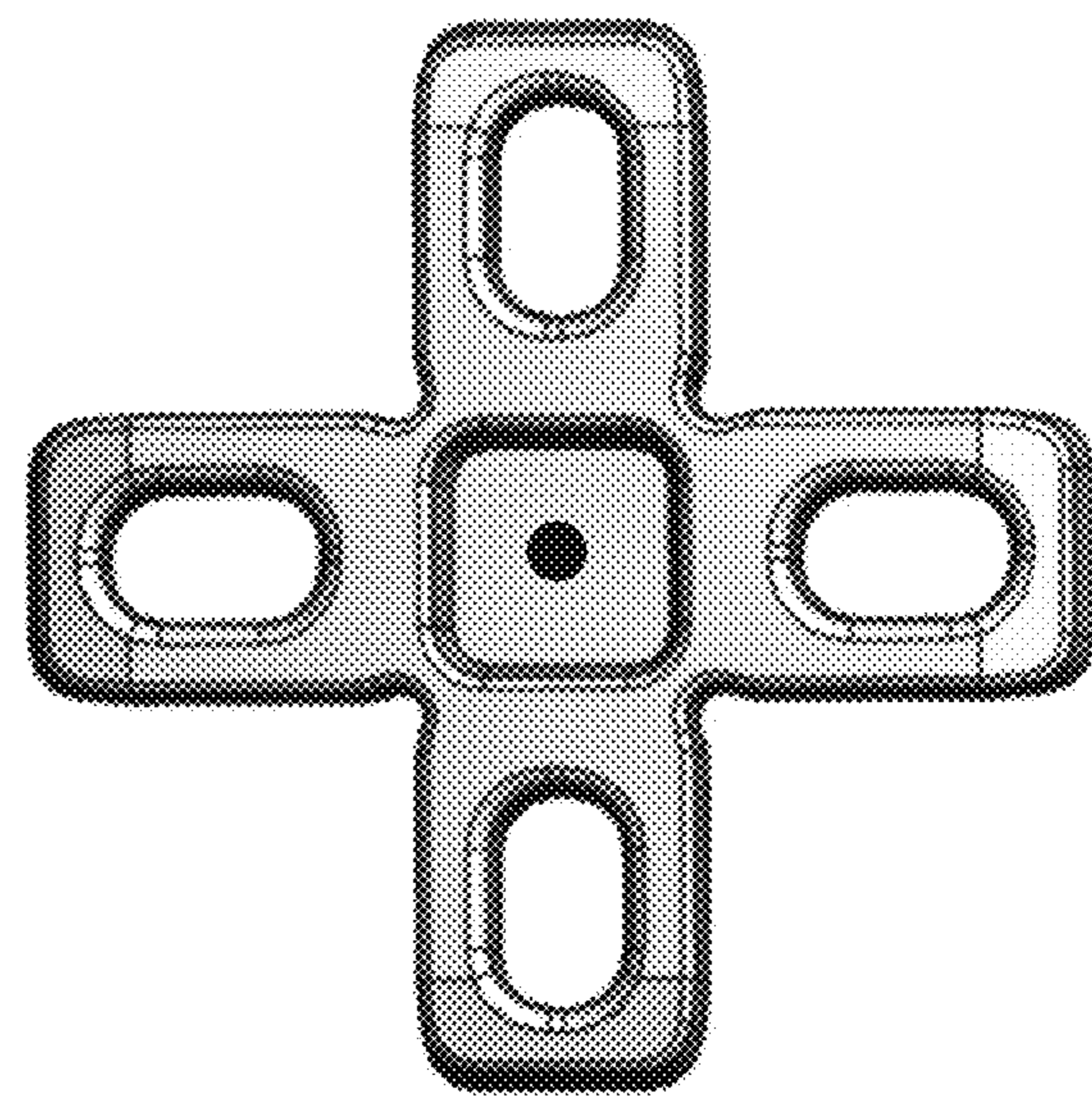


FIG. 3

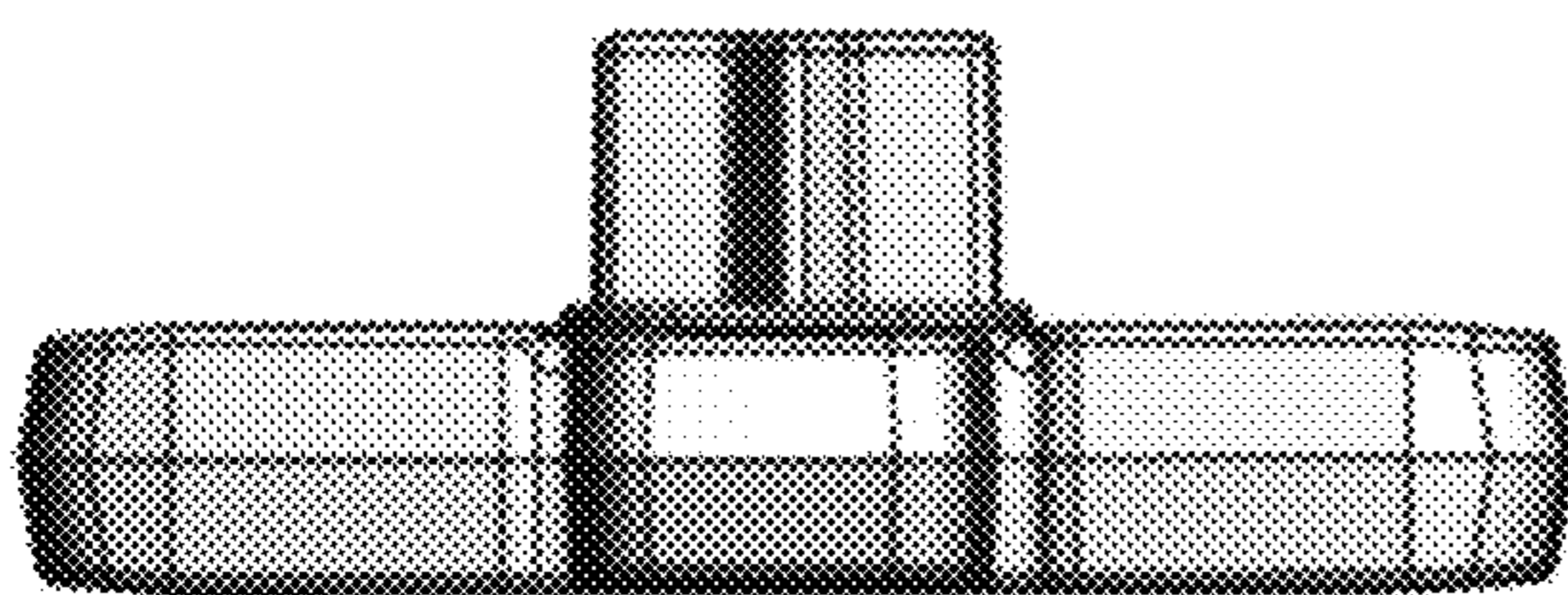


FIG. 4

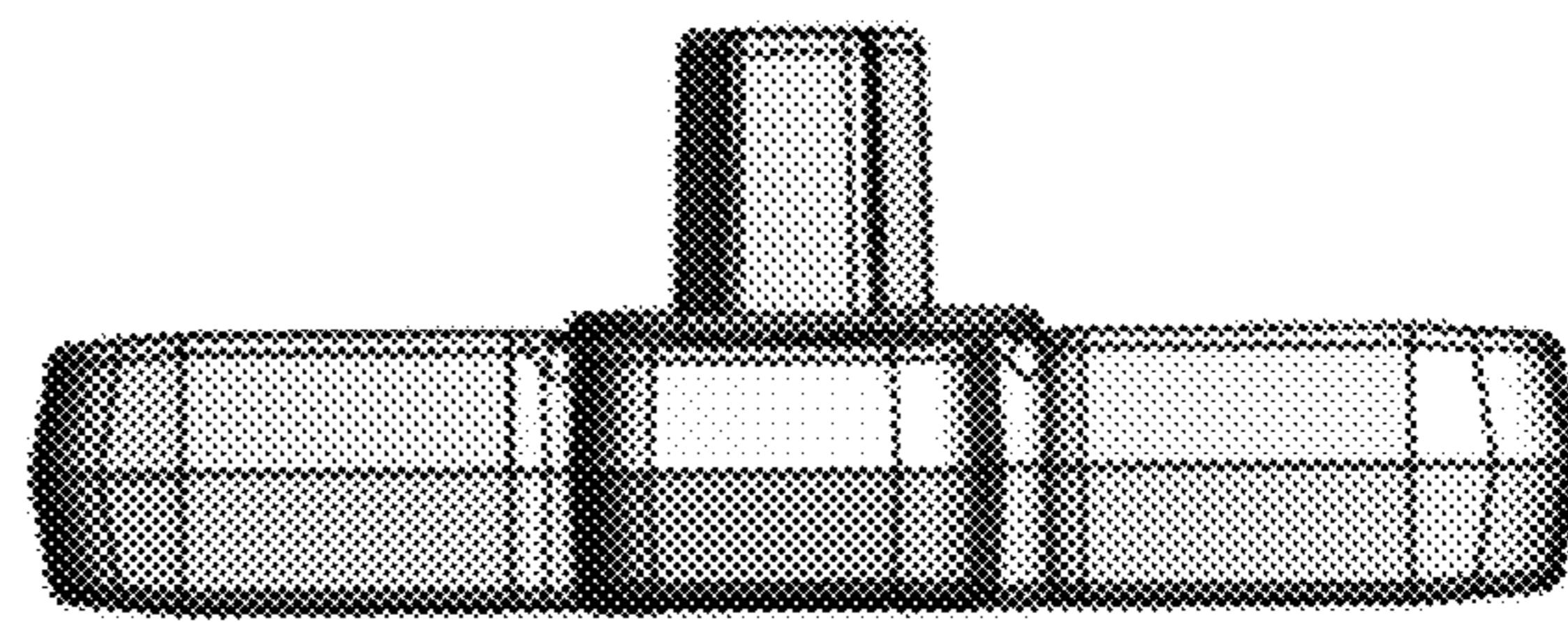


FIG. 5

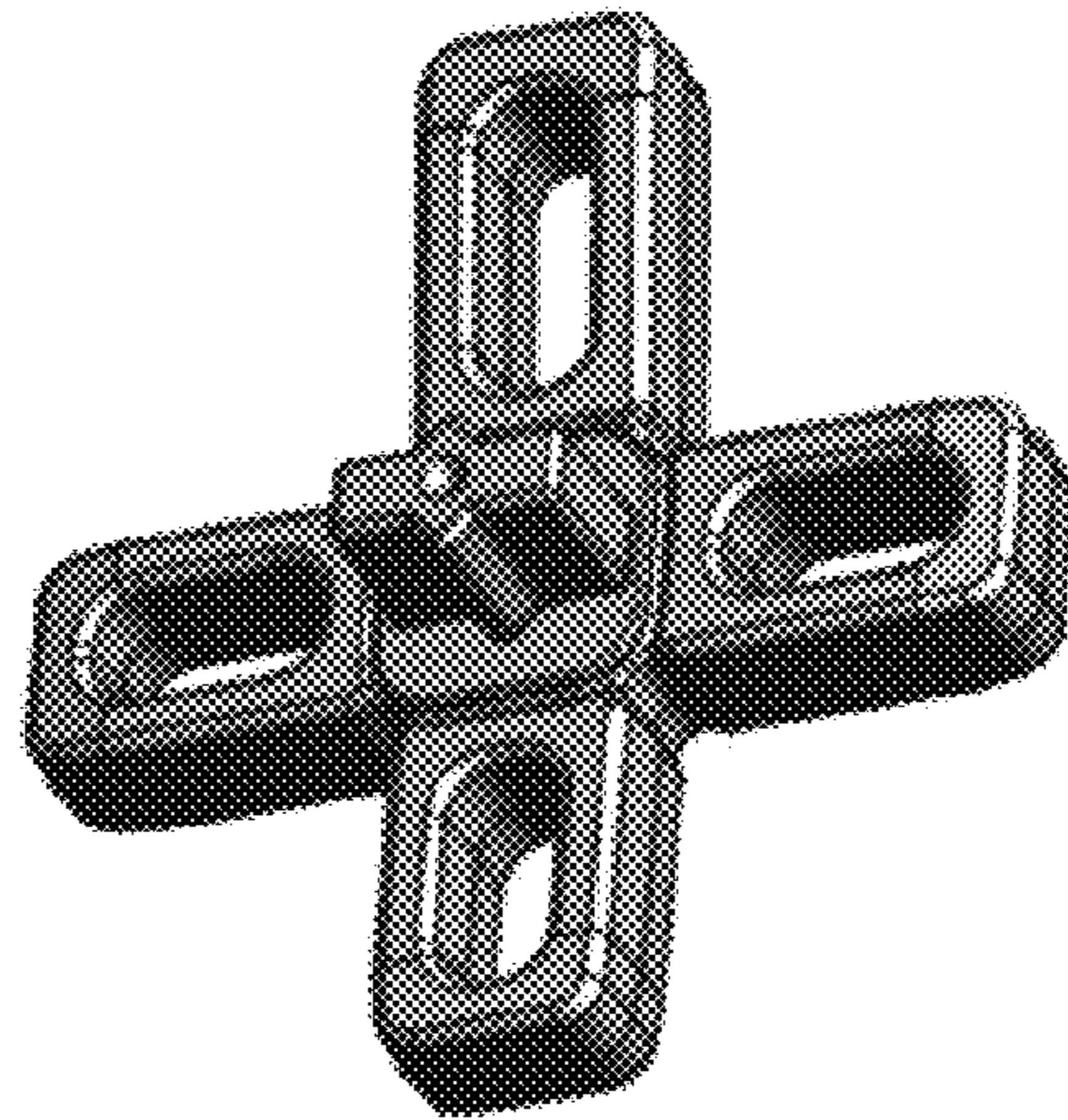


FIG. 6

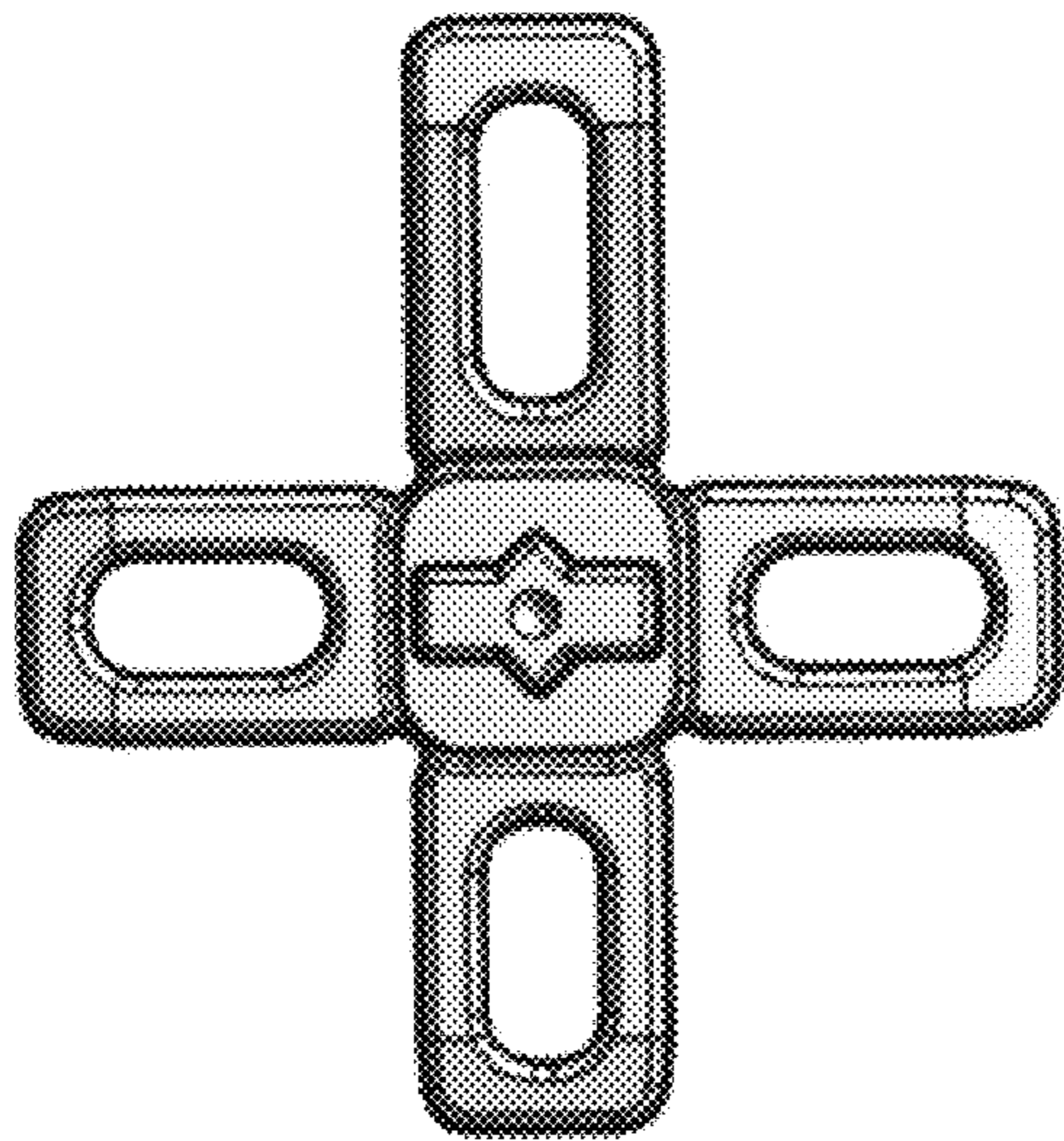


FIG. 7

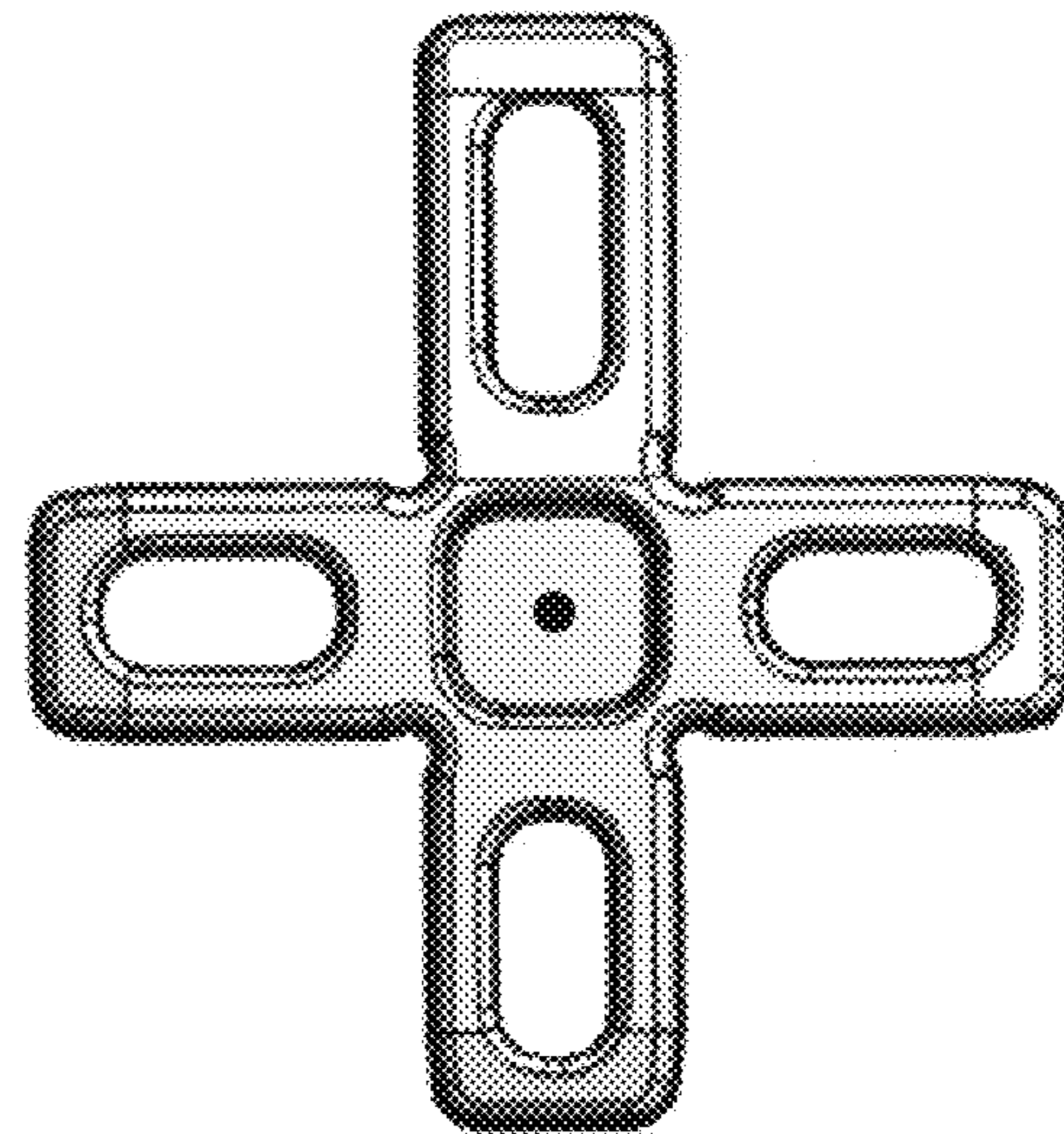


FIG. 8

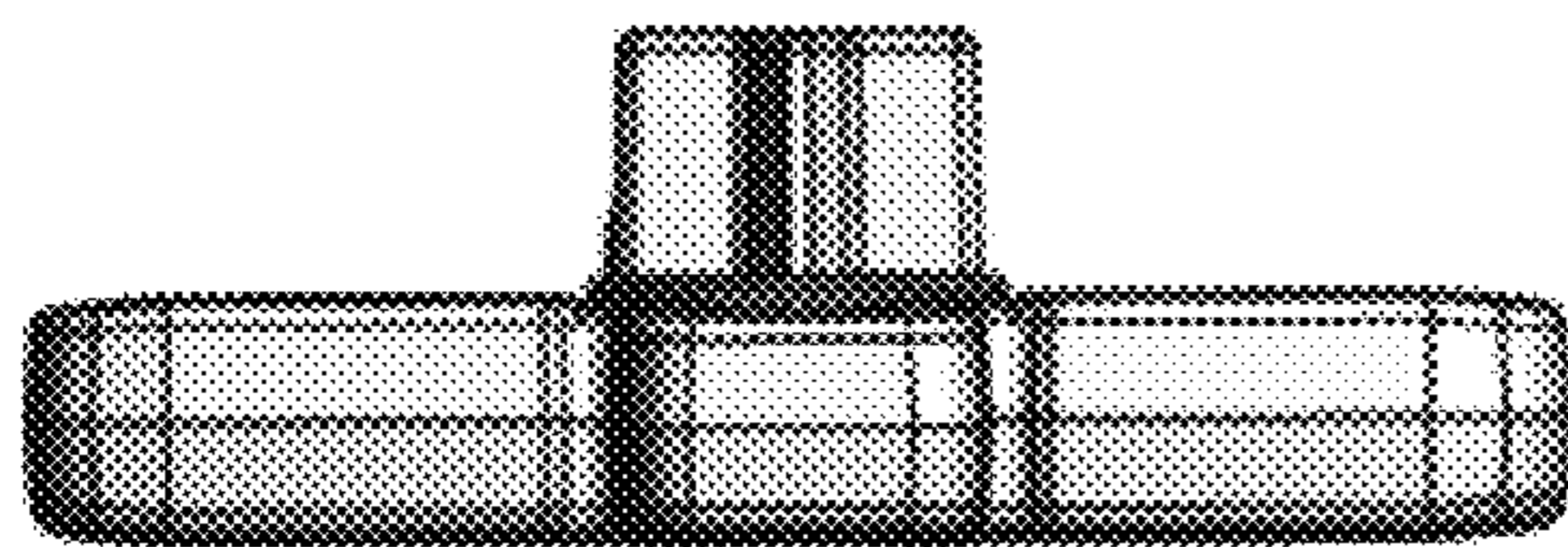


FIG. 9

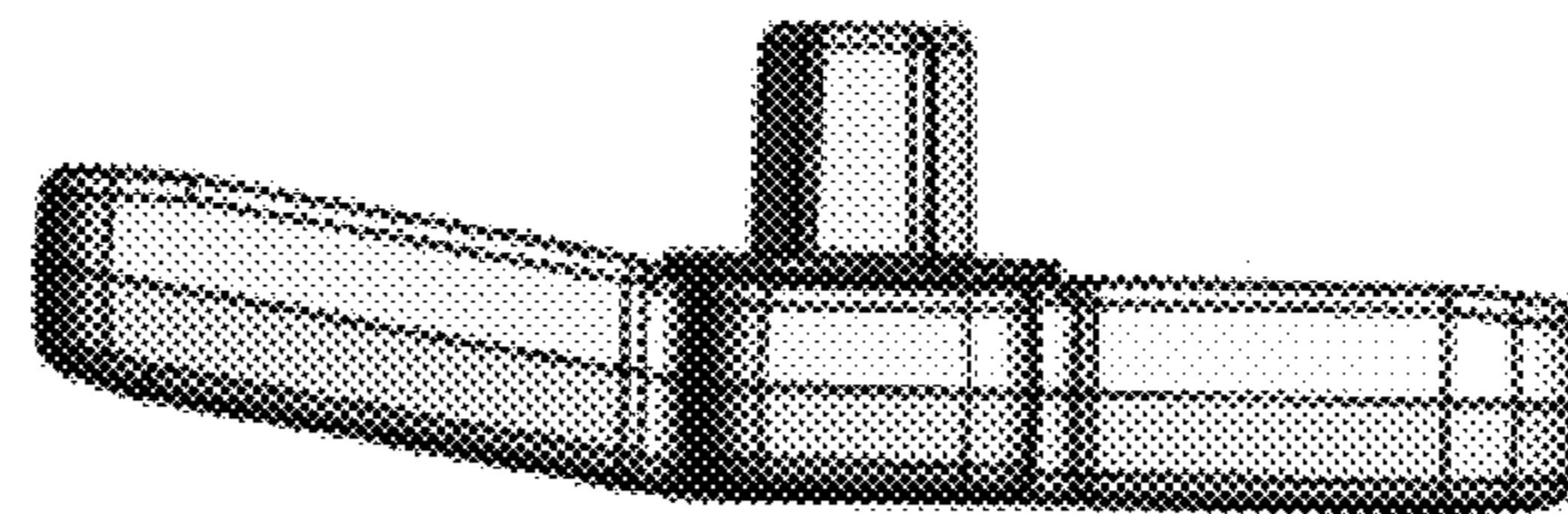


FIG. 10

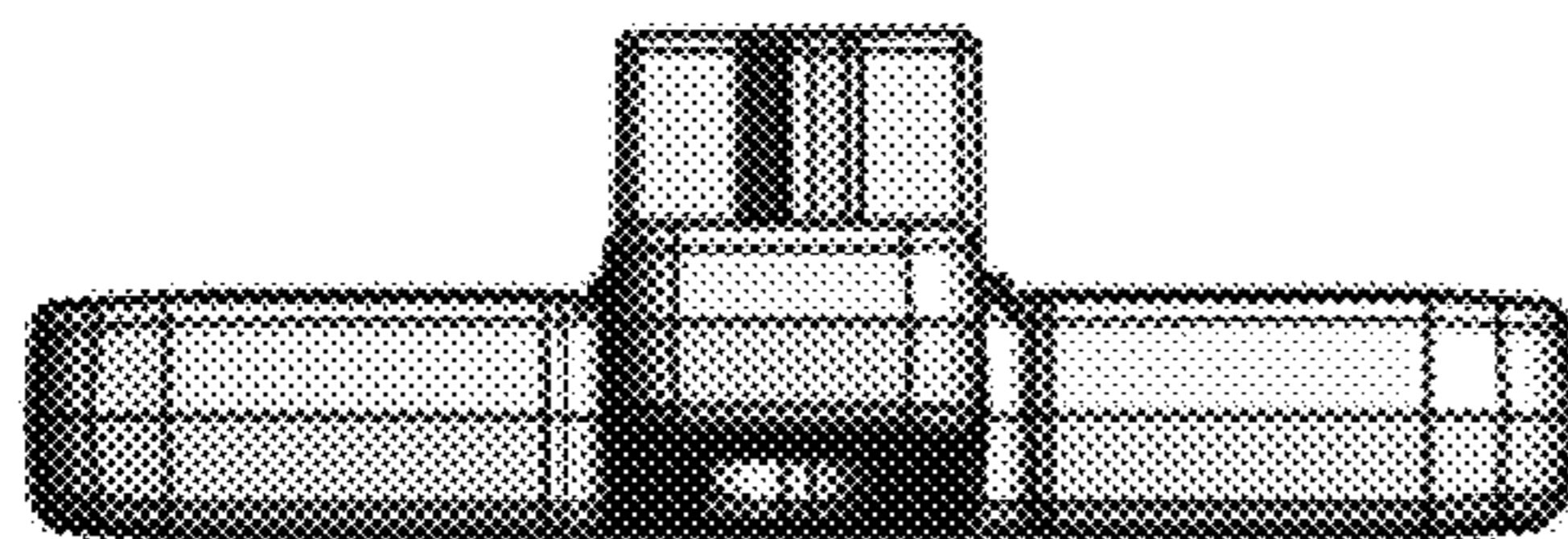


FIG. 11

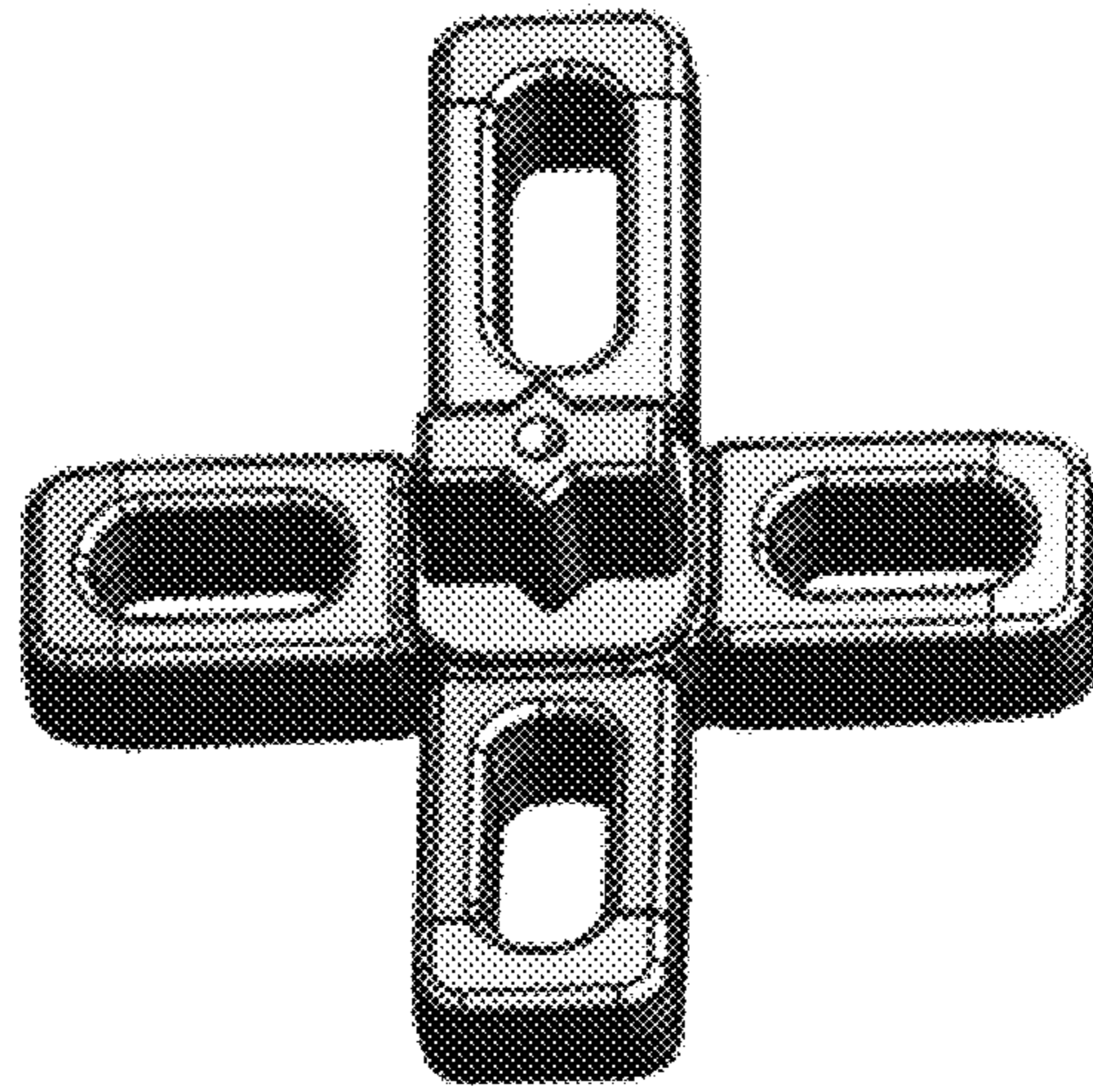


FIG. 12

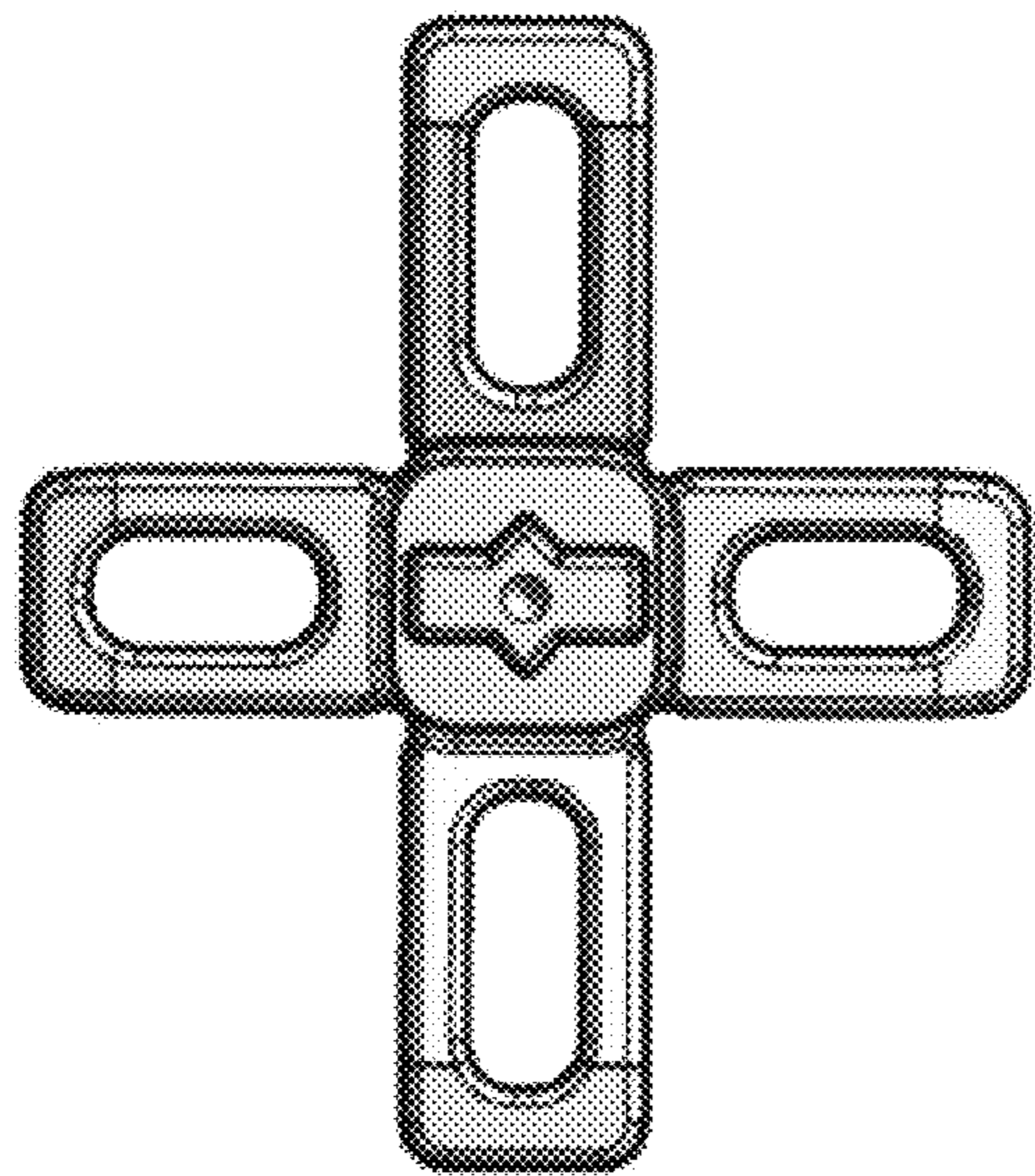


FIG. 13

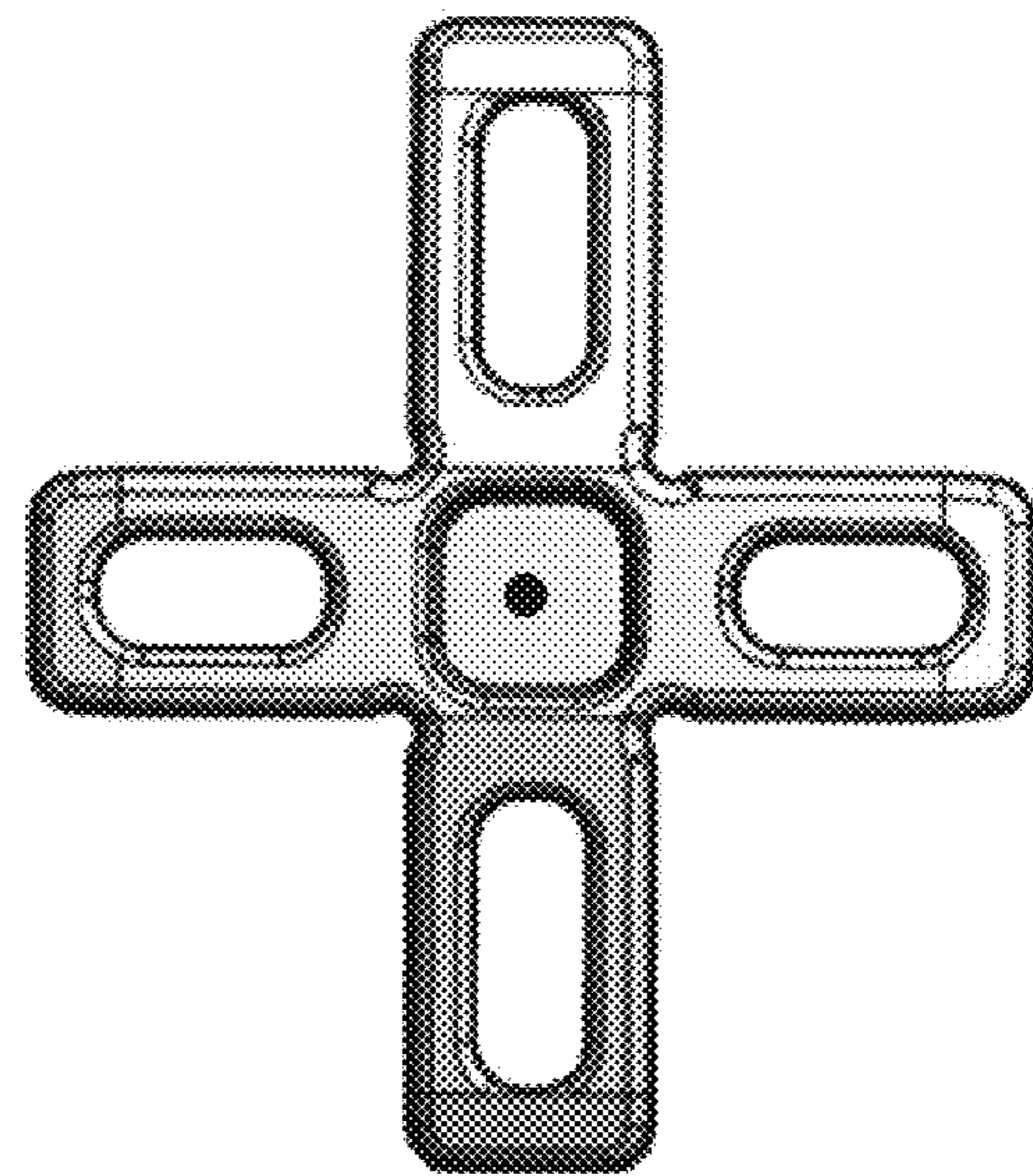


FIG. 14

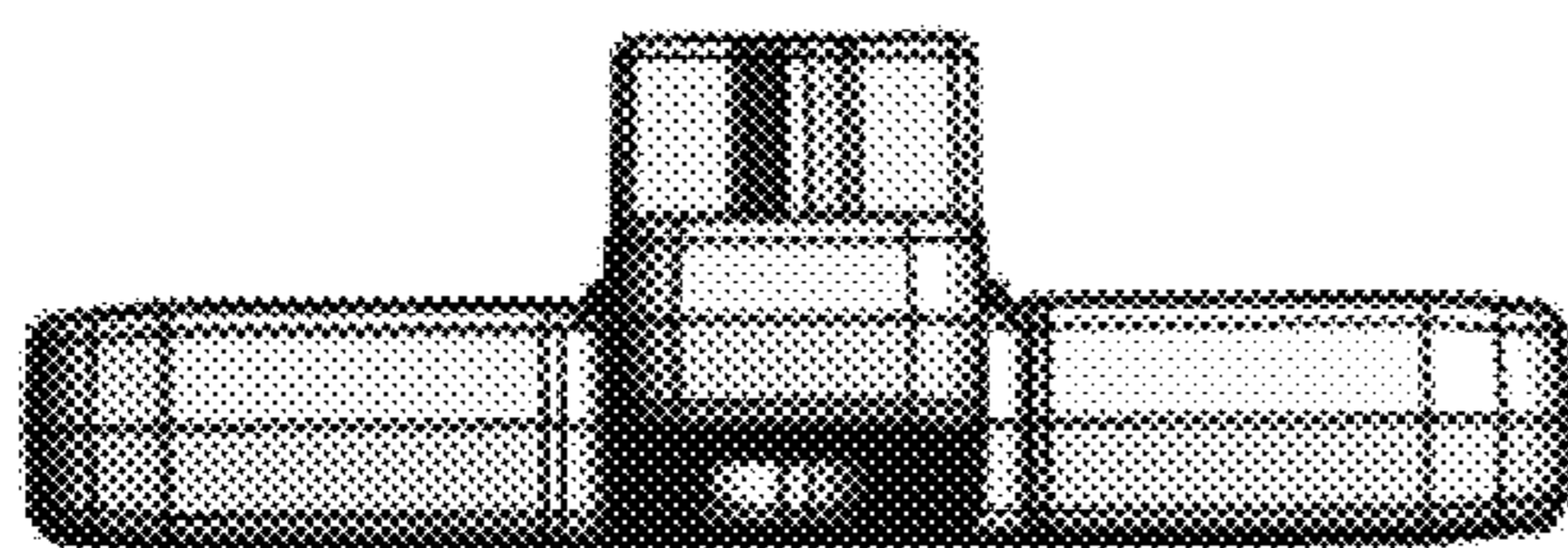


FIG. 15

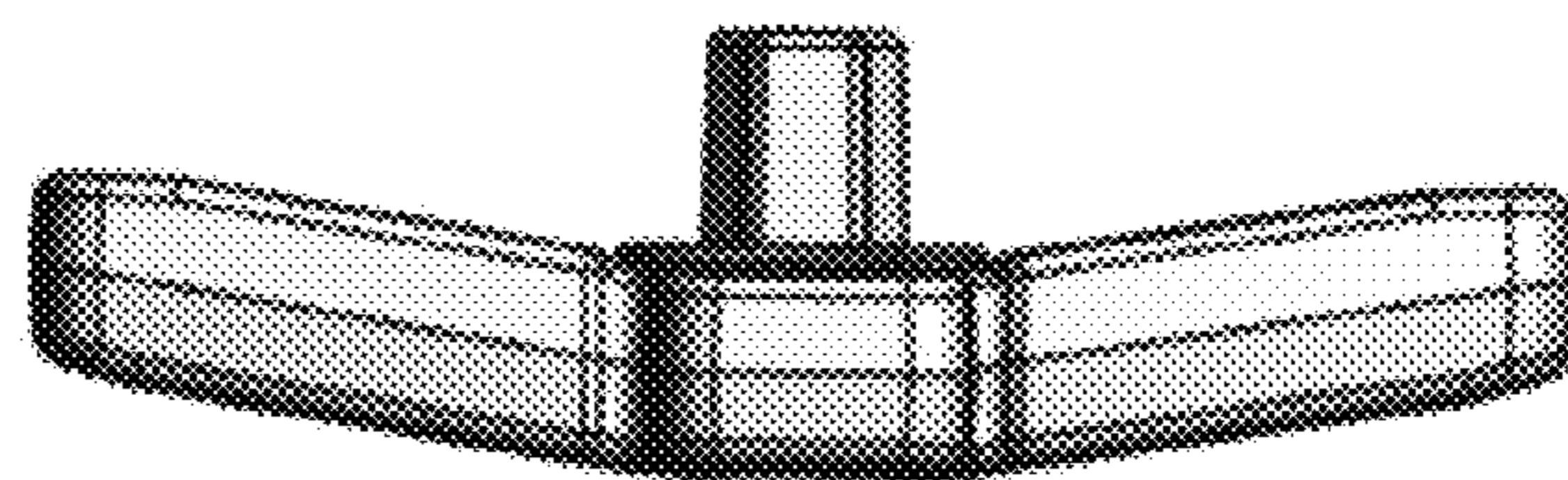


FIG. 16

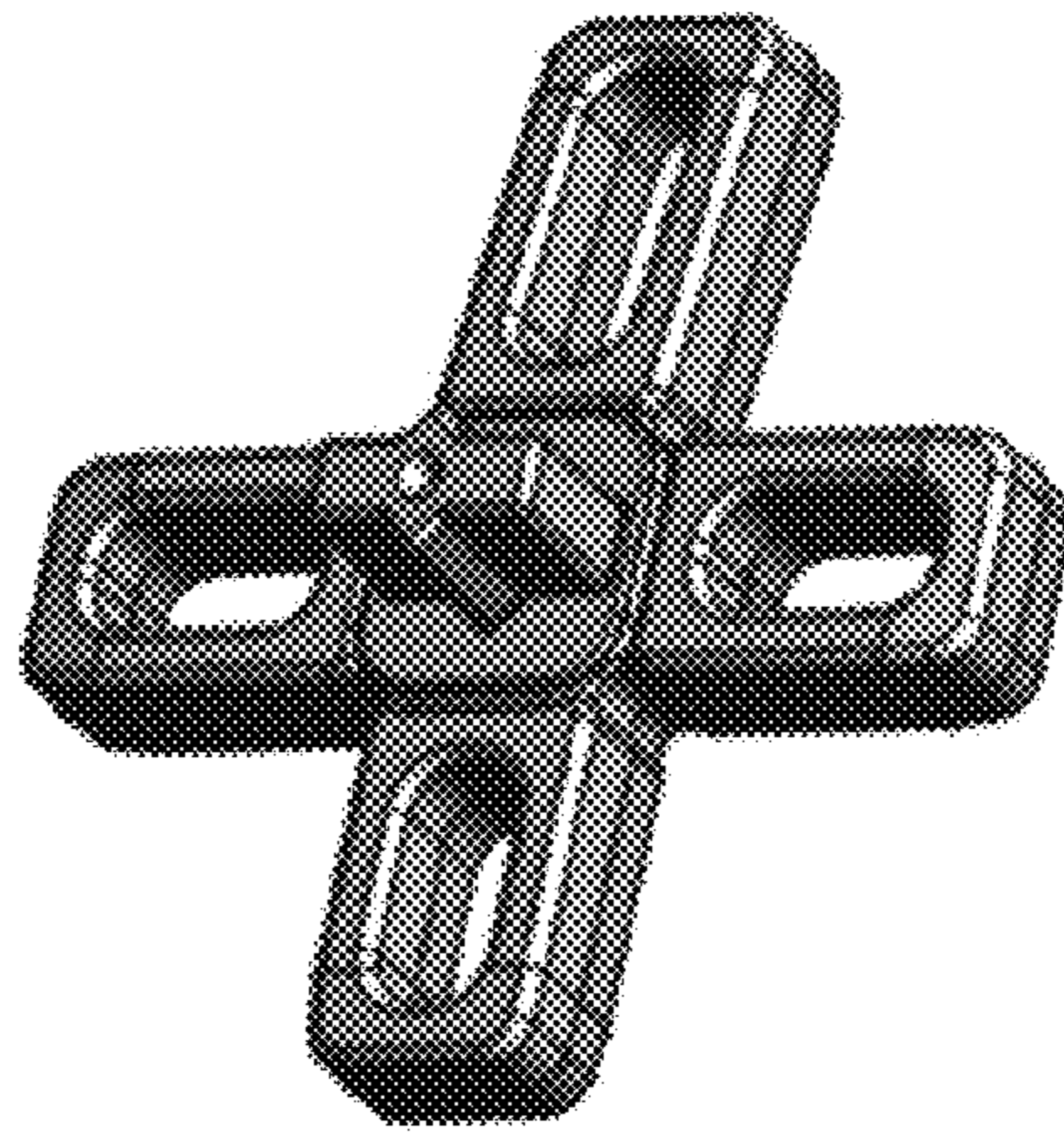


FIG. 17

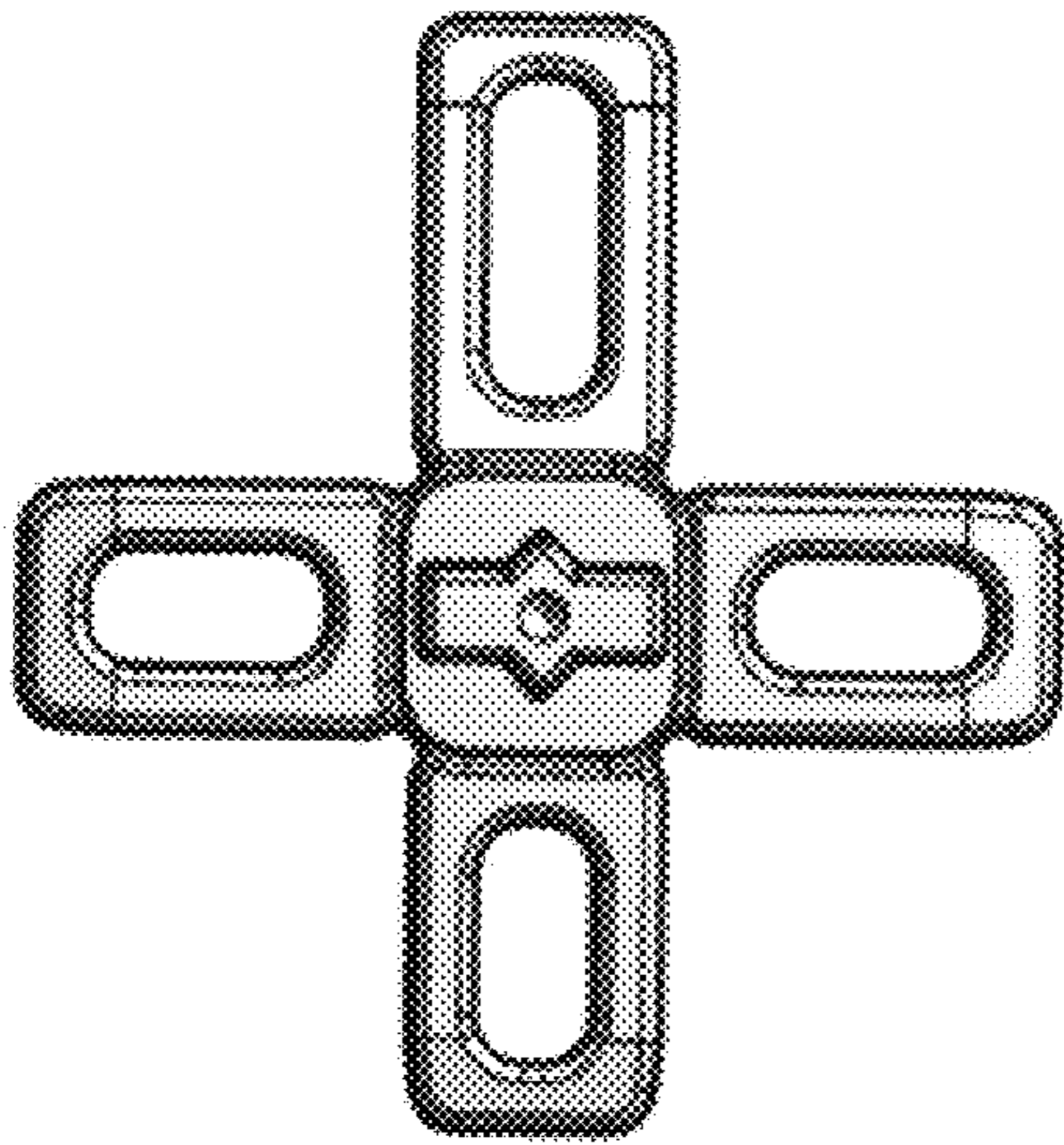


FIG. 18

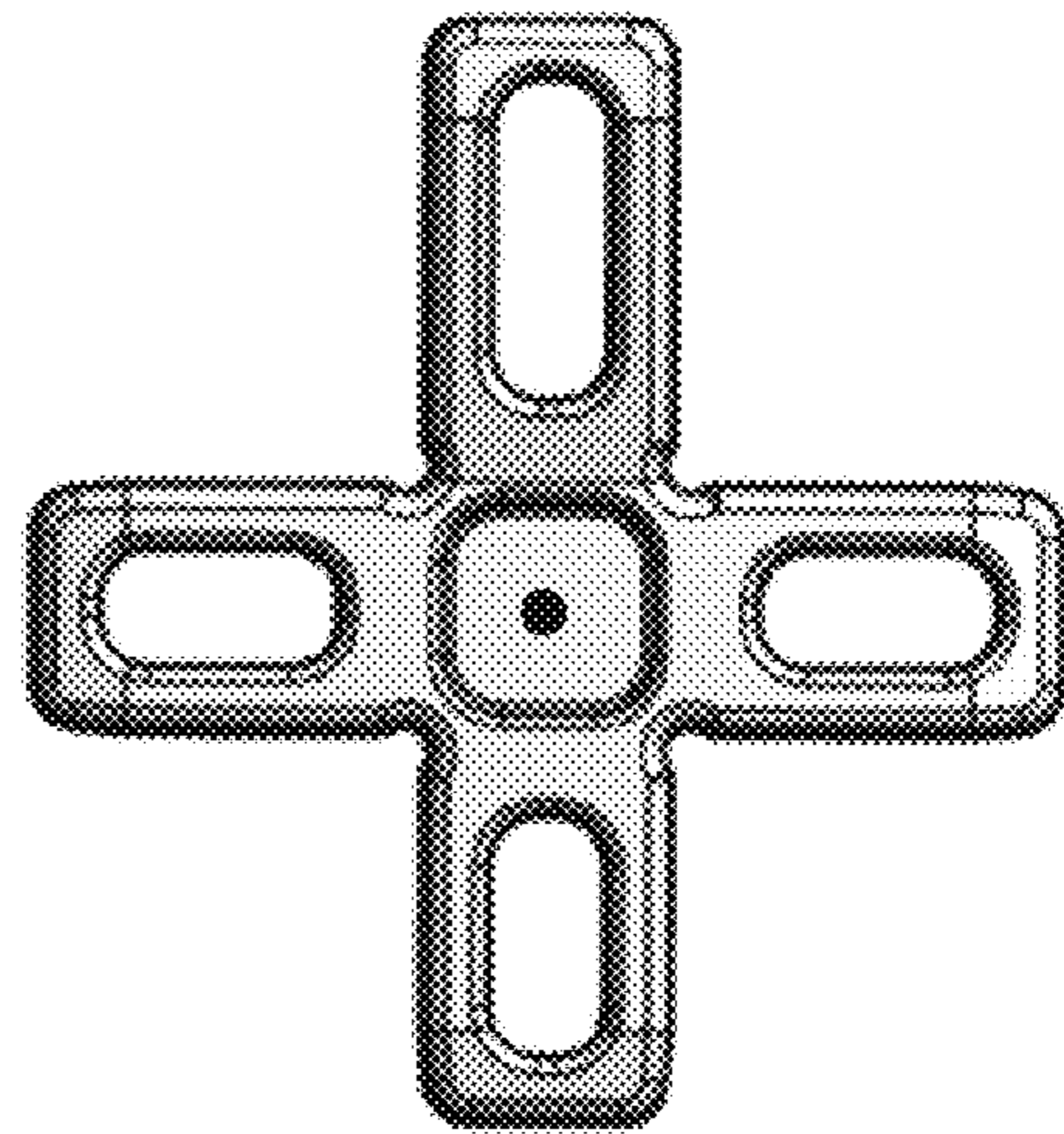


FIG. 19

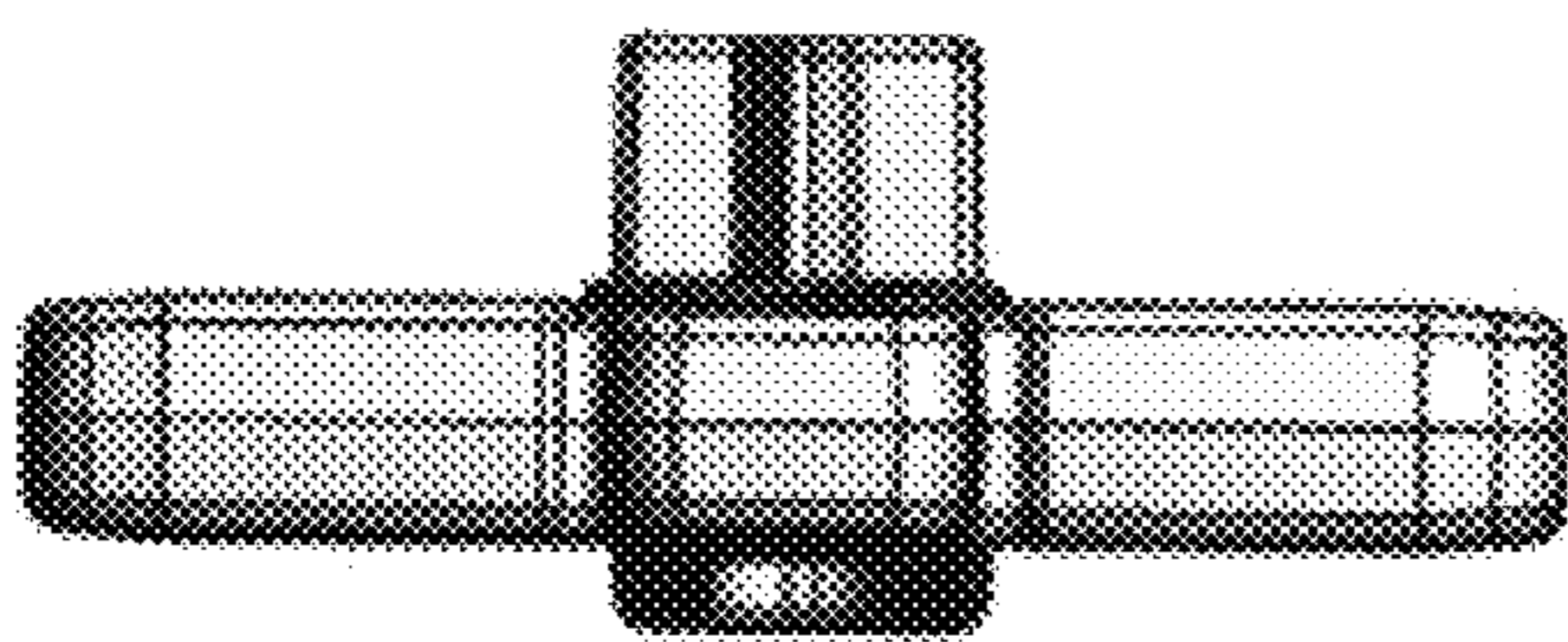


FIG. 20

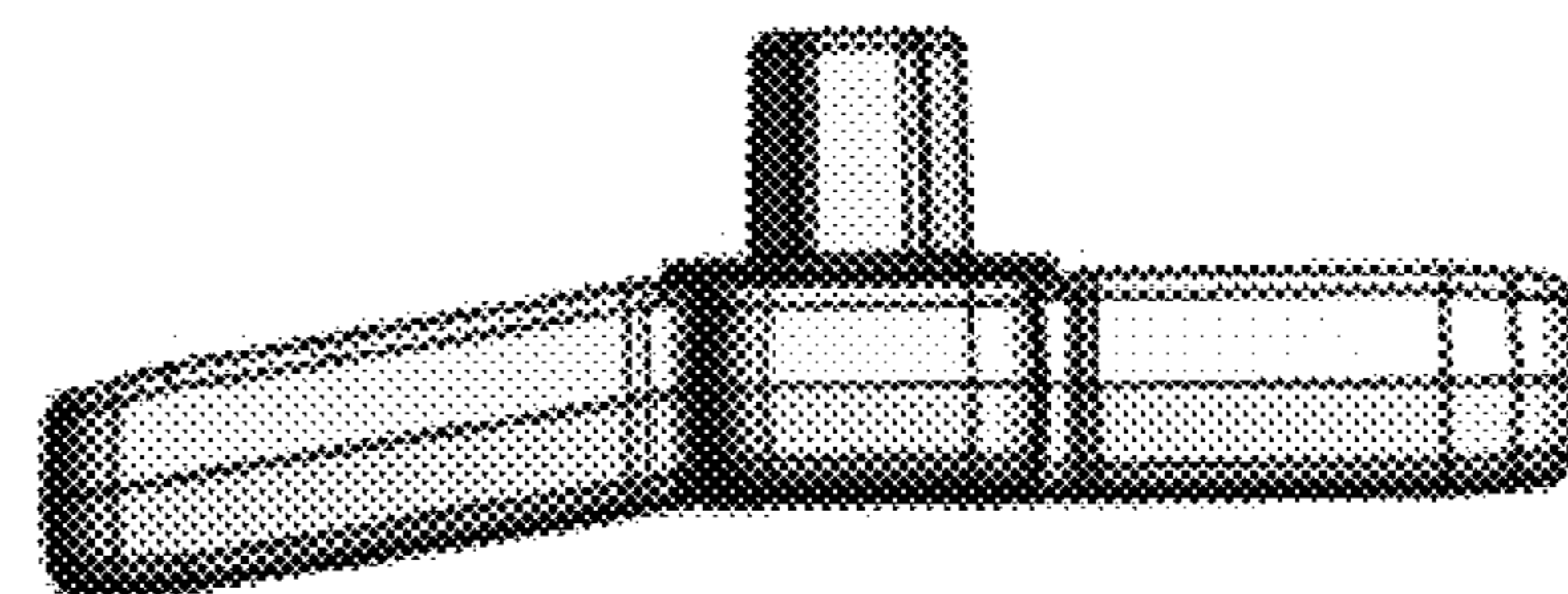


FIG. 21

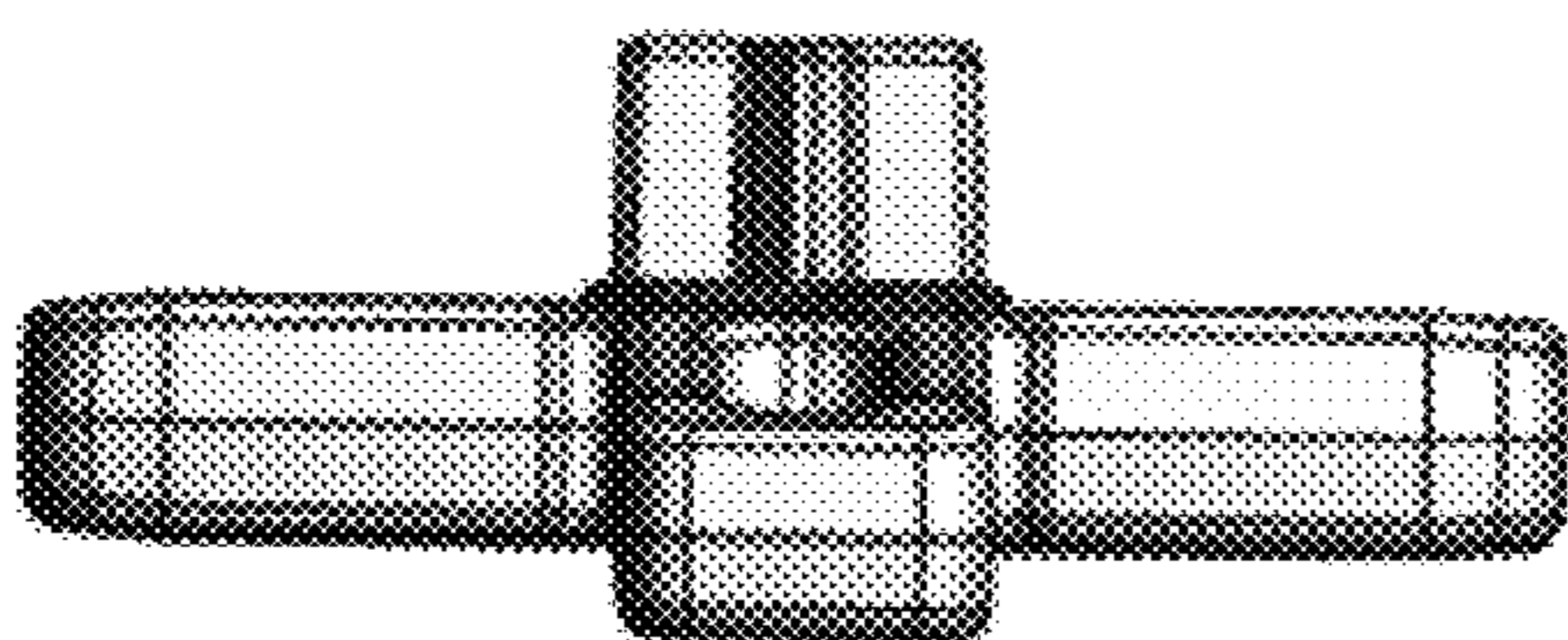


FIG. 22

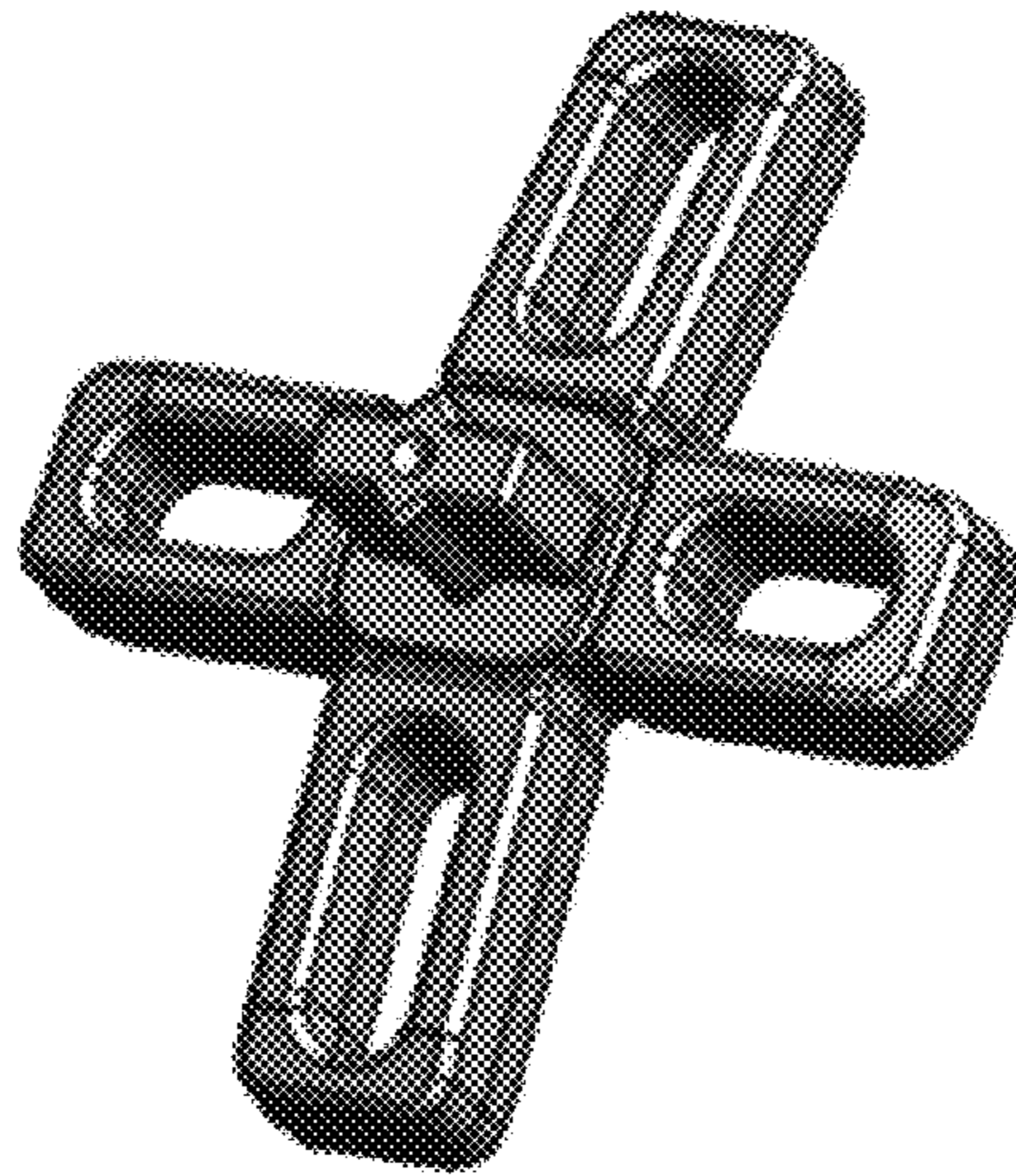


FIG. 23

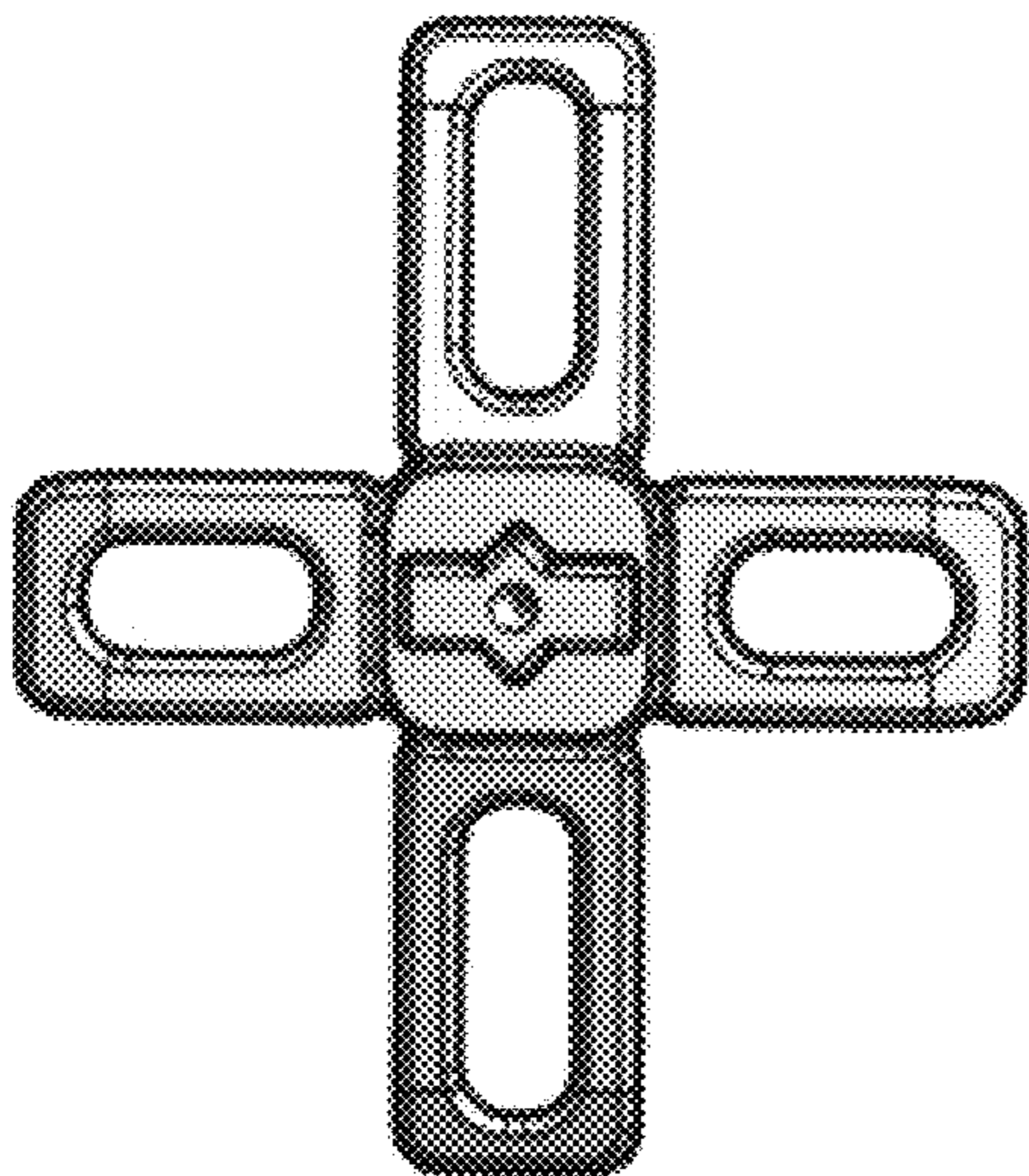


FIG. 24

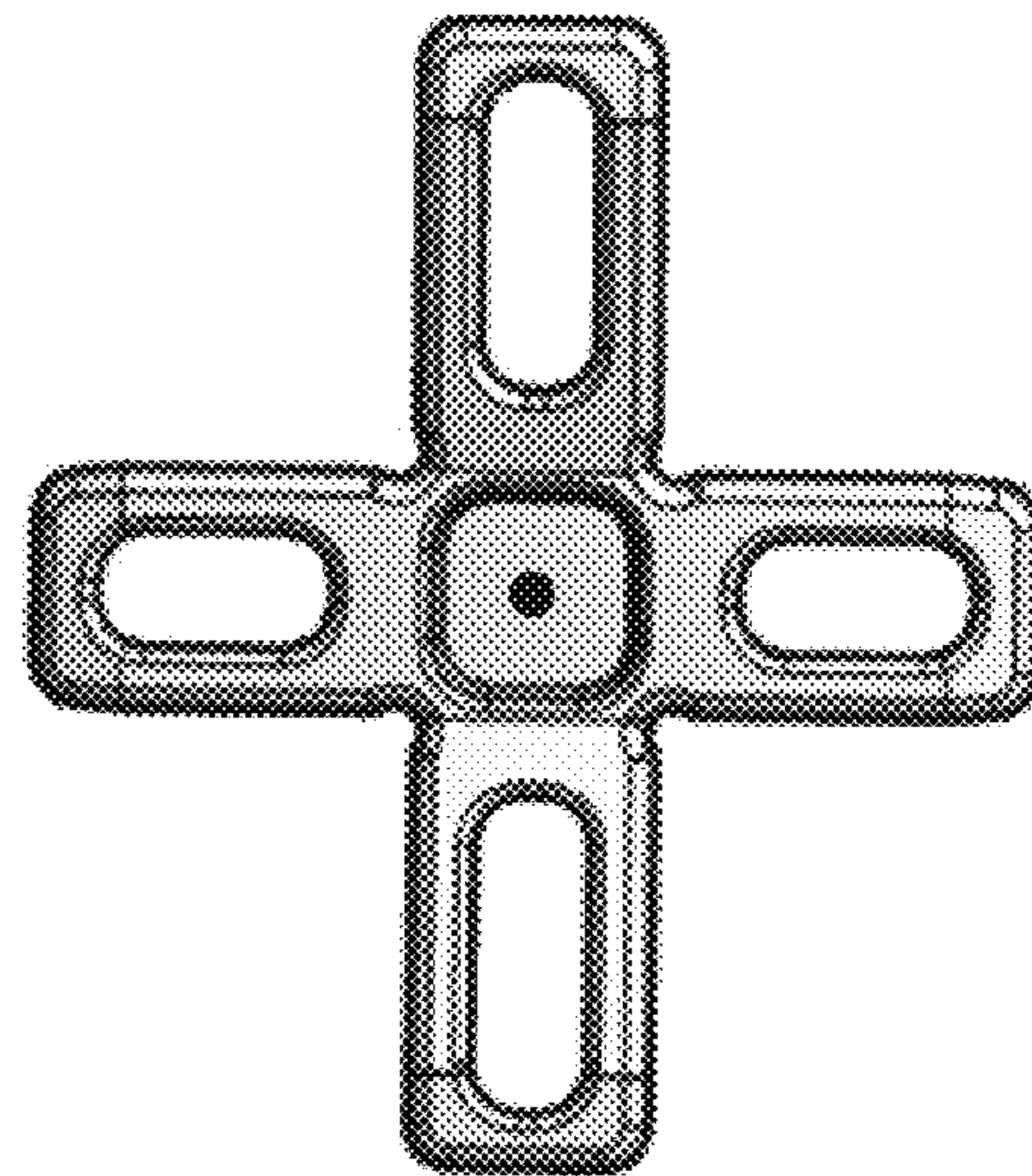


FIG. 25

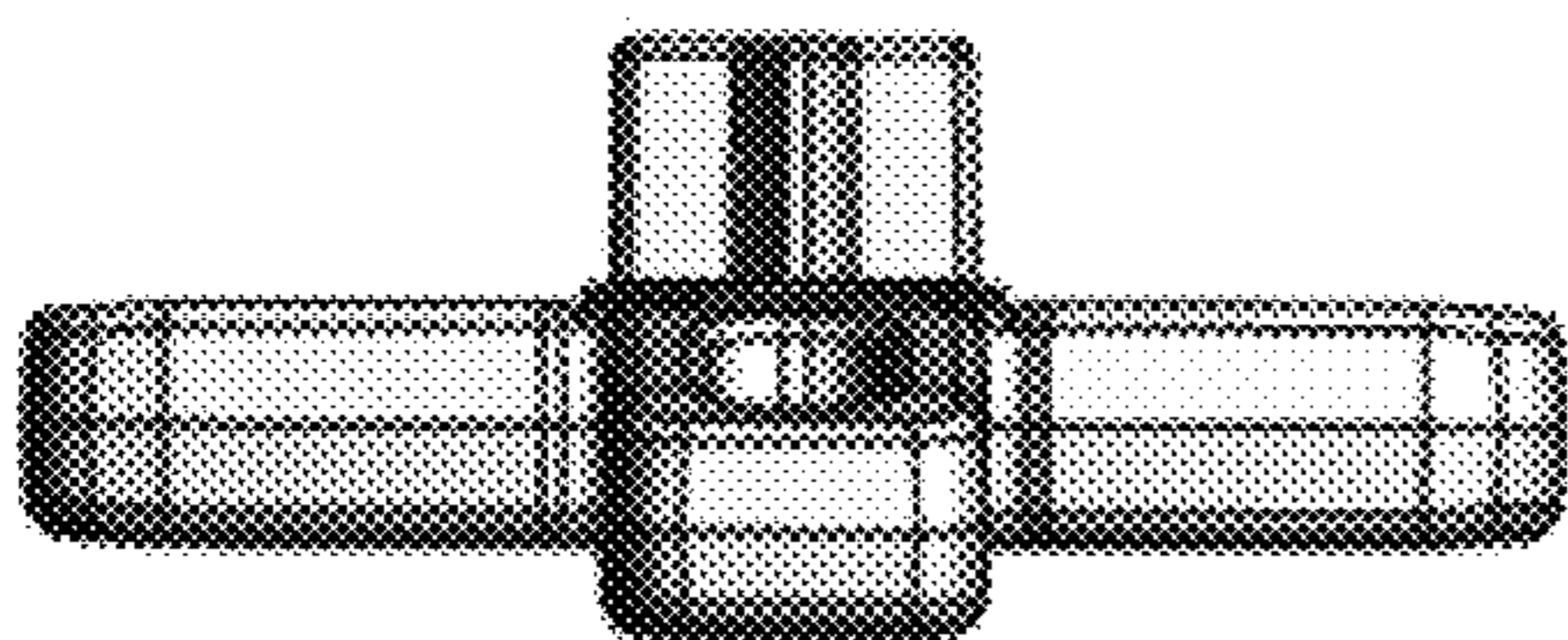


FIG. 26

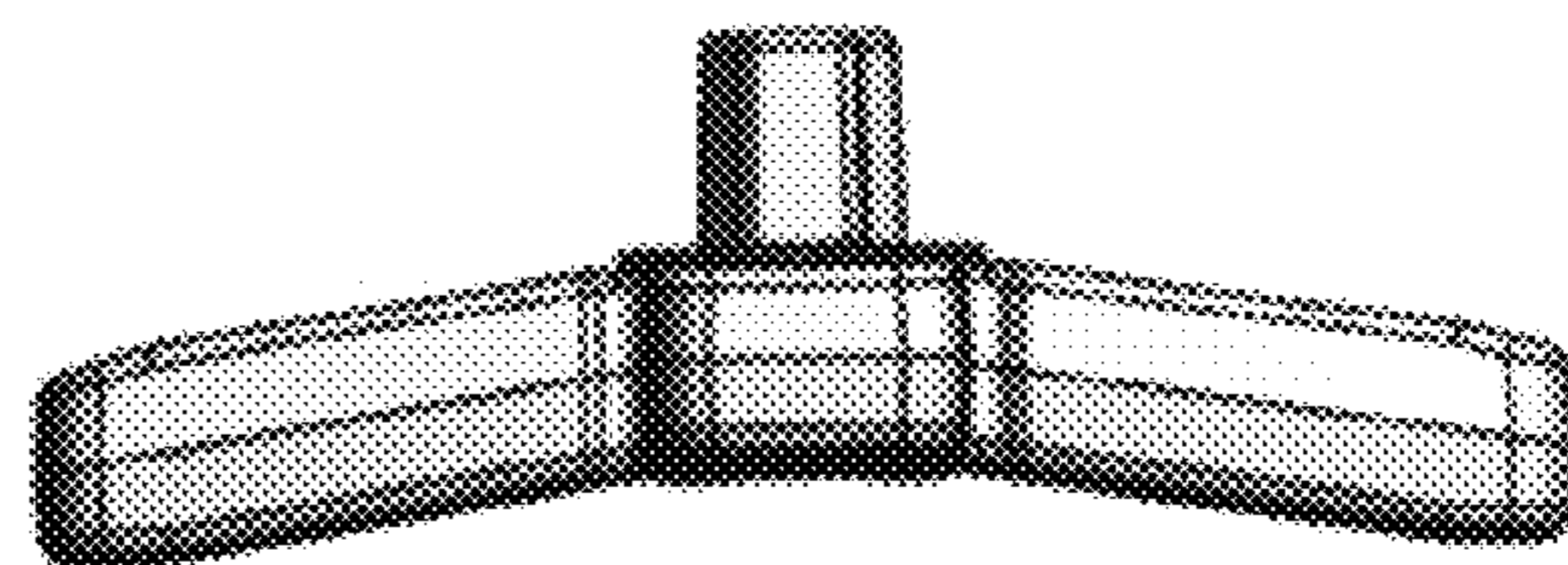


FIG. 27