



US00D922860S

(12) **United States Design Patent** (10) **Patent No.:** **US D922,860 S**
Kao (45) **Date of Patent:** **** Jun. 22, 2021**

(54) **HANGING HOOK FOR A TOOL SUPPORTING RACK**

(71) Applicant: **Jui Chien Kao**, Taichung (TW)

(72) Inventor: **Jui Chien Kao**, Taichung (TW)

(**) Term: **15 Years**

(21) Appl. No.: **29/708,832**

(22) Filed: **Oct. 9, 2019**

(51) **LOC (13) Cl.** **08-05**

(52) **U.S. Cl.**
USPC **D8/367**

(58) **Field of Classification Search**
USPC D8/367, 354, 349, 373; D6/323;
248/301-304, 339, 110; 211/70
CPC . A47G 1/00; A47G 25/00; B25H 3/04; B25H
3/06; B25H 3/003
See application file for complete search history.

(56) **References Cited**

U.S. PATENT DOCUMENTS

- D312,038 S * 11/1990 Sachs D8/354
- 5,165,629 A * 11/1992 Breveglieri A47F 5/0884
211/60.1
- D390,014 S * 2/1998 Ho D6/323
- 6,202,865 B1 * 3/2001 Kuo A47F 5/0815
211/70.6
- D699,097 S * 2/2014 Chung D8/354
- 9,499,321 B2 * 11/2016 Ou B65D 79/02
- 9,782,891 B2 * 10/2017 Blake B25H 3/06
- D817,730 S * 5/2018 Petersen D8/14
- 10,022,857 B2 * 7/2018 Kao B25H 3/04
- 10,343,702 B2 * 7/2019 Stuart B62B 3/004
- 10,357,875 B2 * 7/2019 Mefferd B25H 3/04

- D865,498 S * 11/2019 Krake D8/367
- 10,625,411 B2 * 4/2020 Tesoroni F16B 2/22
- D891,911 S * 8/2020 Lin D8/367
- 10,875,173 B1 * 12/2020 Kao F16M 13/022
- 2010/0155557 A1 * 6/2010 Carty A47B 96/027
248/231.21
- 2011/0187248 A1 * 8/2011 Kao A47B 81/00
312/280
- 2011/0192810 A1 * 8/2011 Kao B25H 3/028
211/70.6

* cited by examiner

Primary Examiner — Cynthia R Underwood

(74) *Attorney, Agent, or Firm* — Pai Patent & Trademark Law Firm; Chao-Chang David Pai

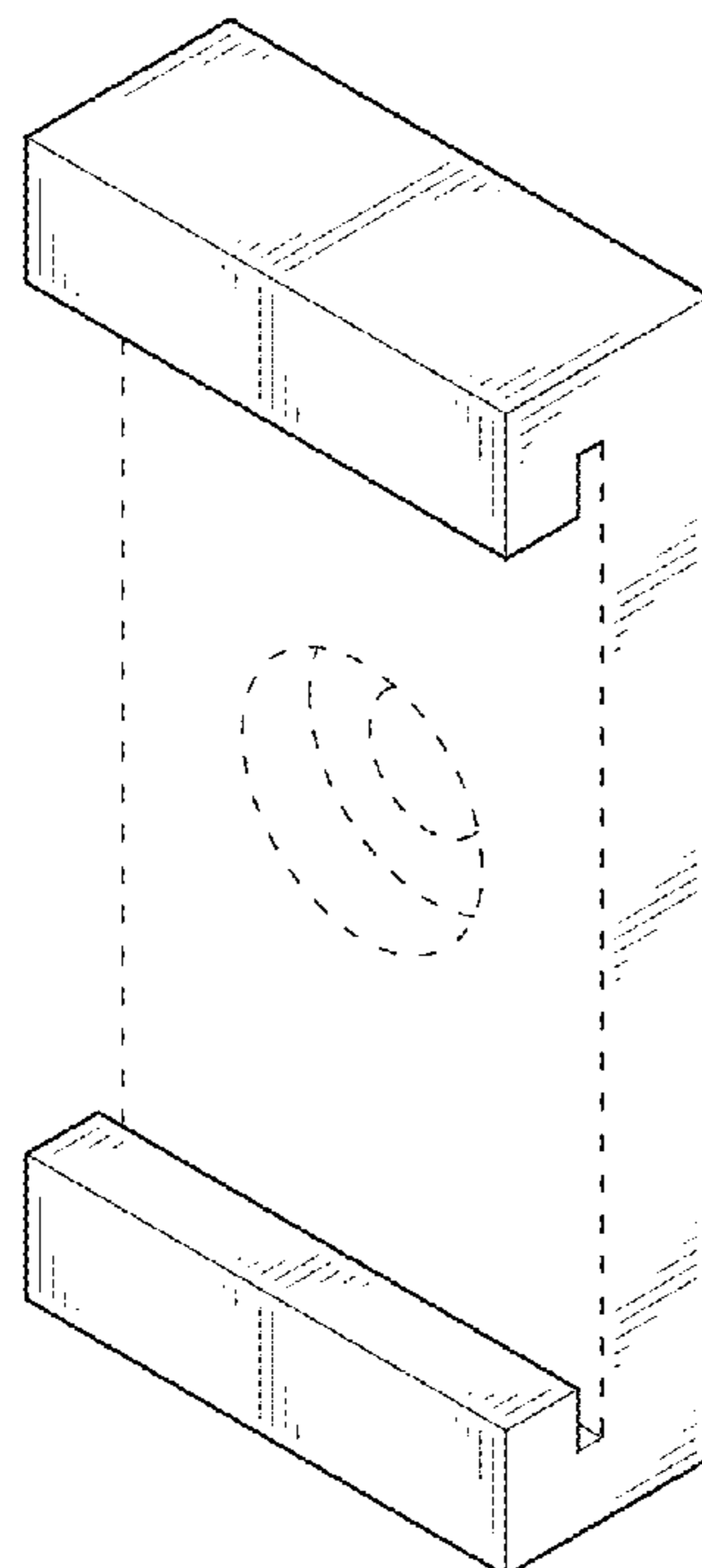
(57) **CLAIM**

The ornamental design for a hanging hook for a tool supporting rack, as shown and described.

DESCRIPTION

FIG. 1 is a perspective view of a hanging hook for a tool supporting rack showing my new design; FIG. 2 is another perspective view thereof; FIG. 3 is a front view thereof; FIG. 4 is a rear view thereof; FIG. 5 is a left side view thereof; FIG. 6 is a right side view thereof; FIG. 7 is a top view thereof; and, FIG. 8 is a bottom view thereof. The broken lines shown are included for the purpose of illustrating unclaimed portions of the article and form no part of the claimed design.

1 Claim, 8 Drawing Sheets



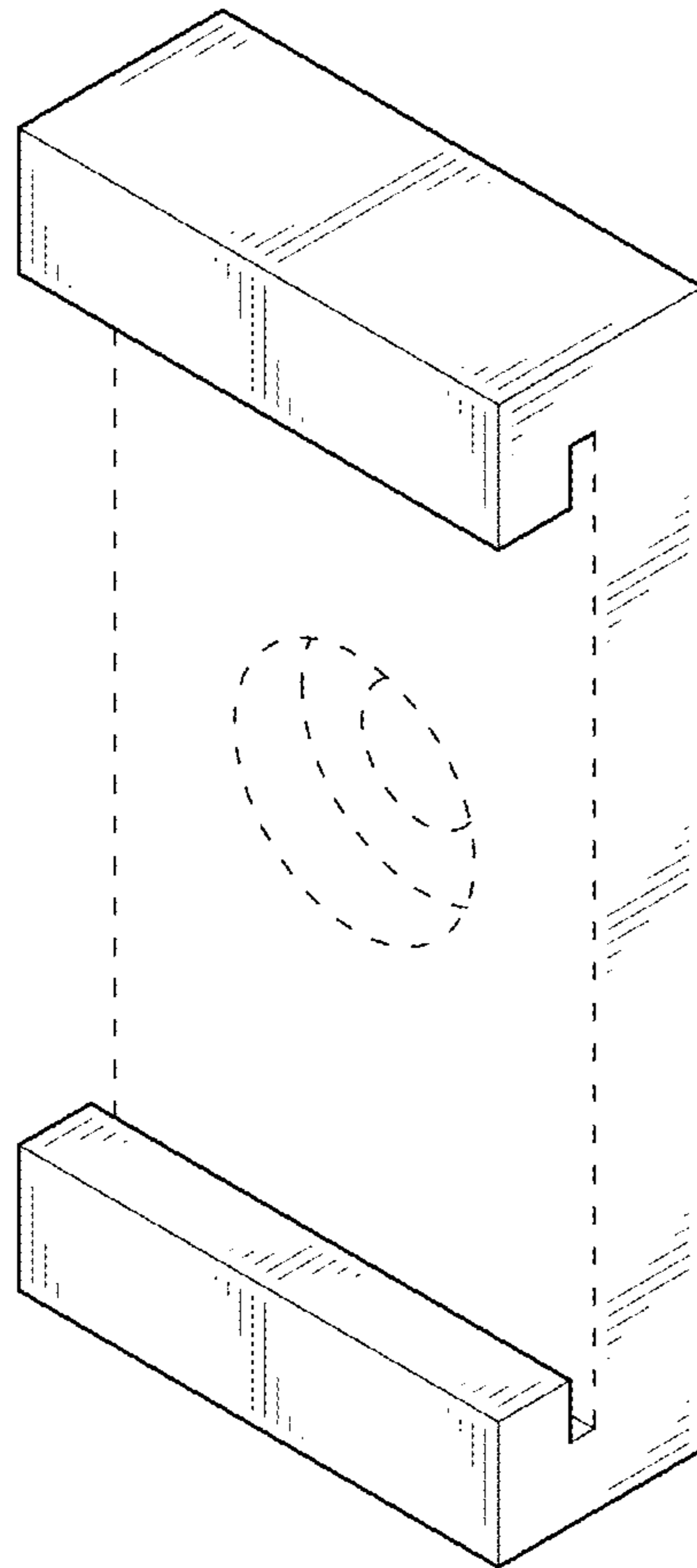


FIG.1

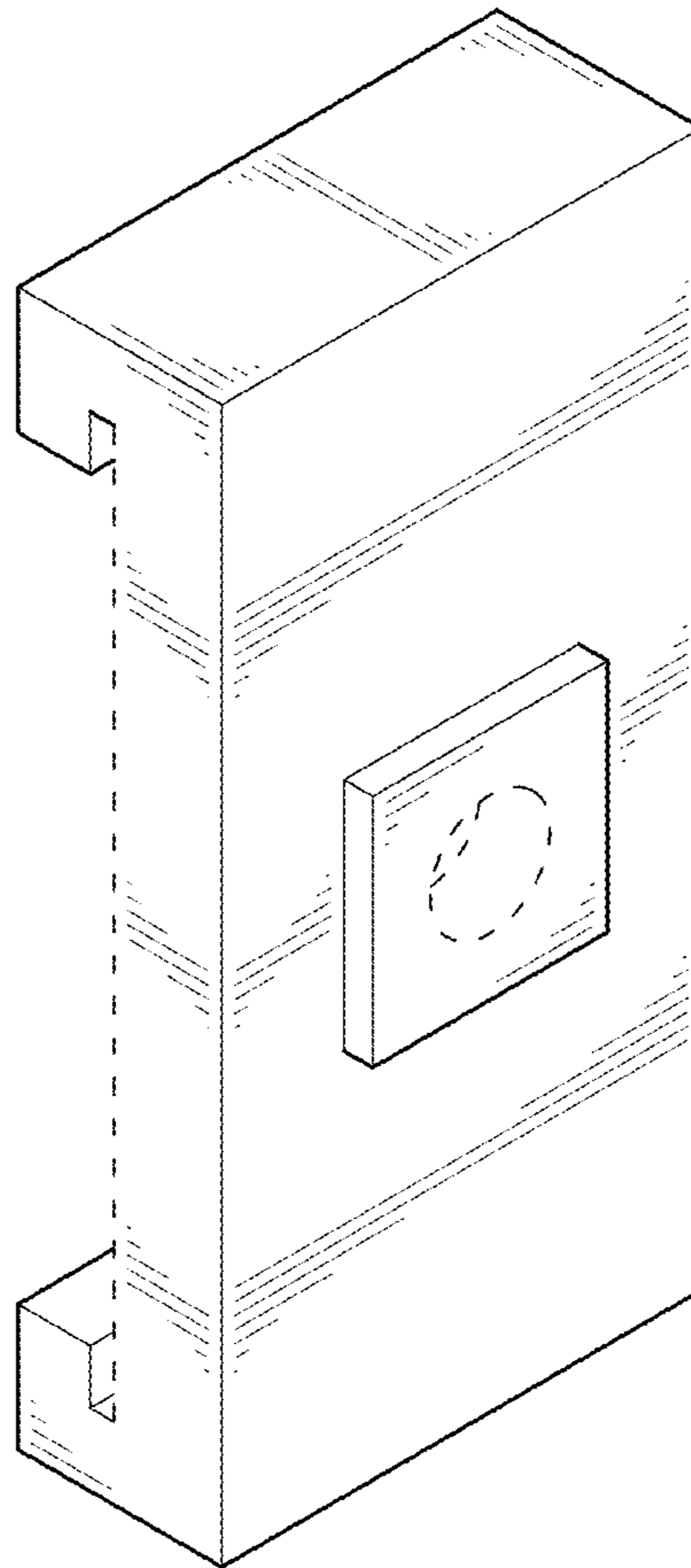


FIG.2

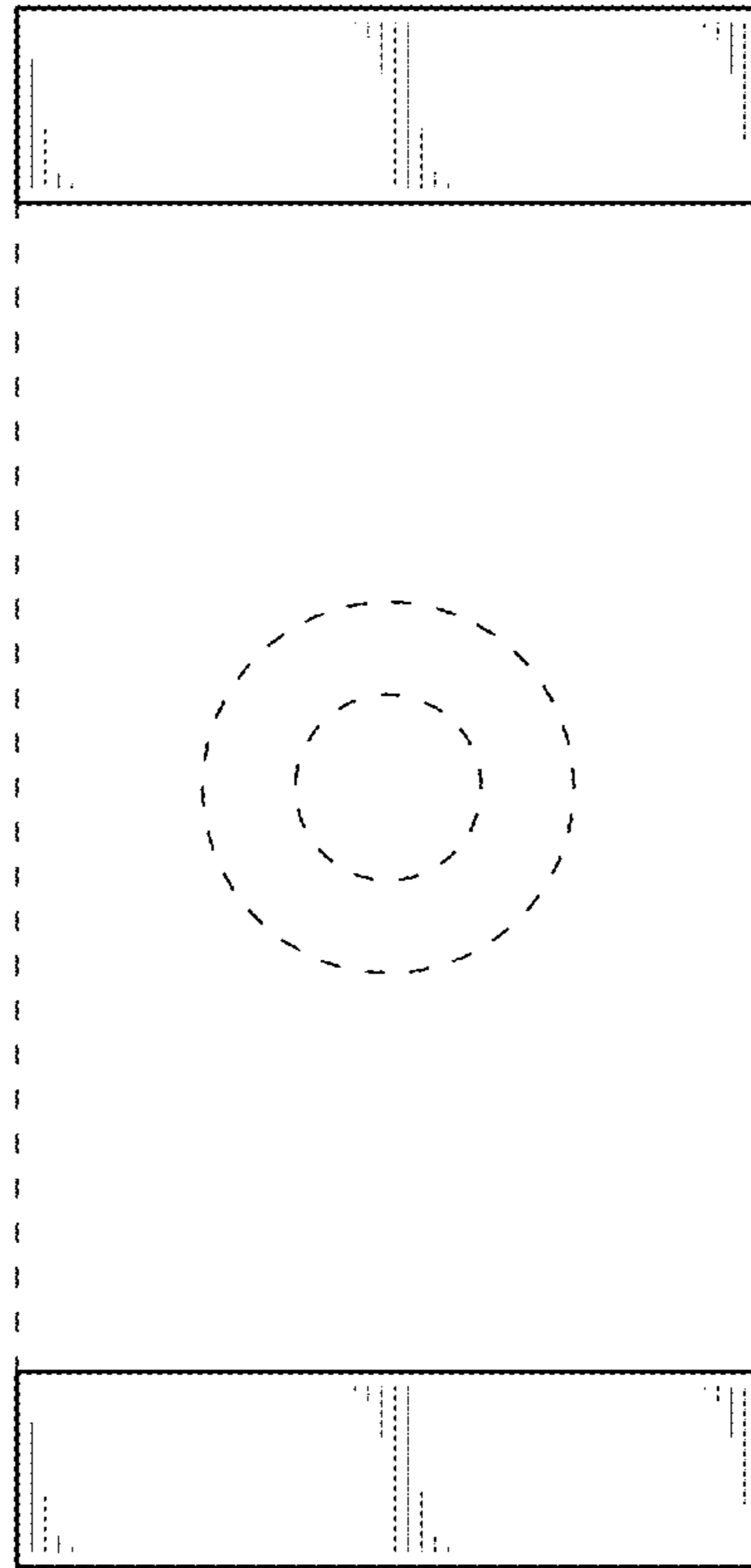


FIG.3

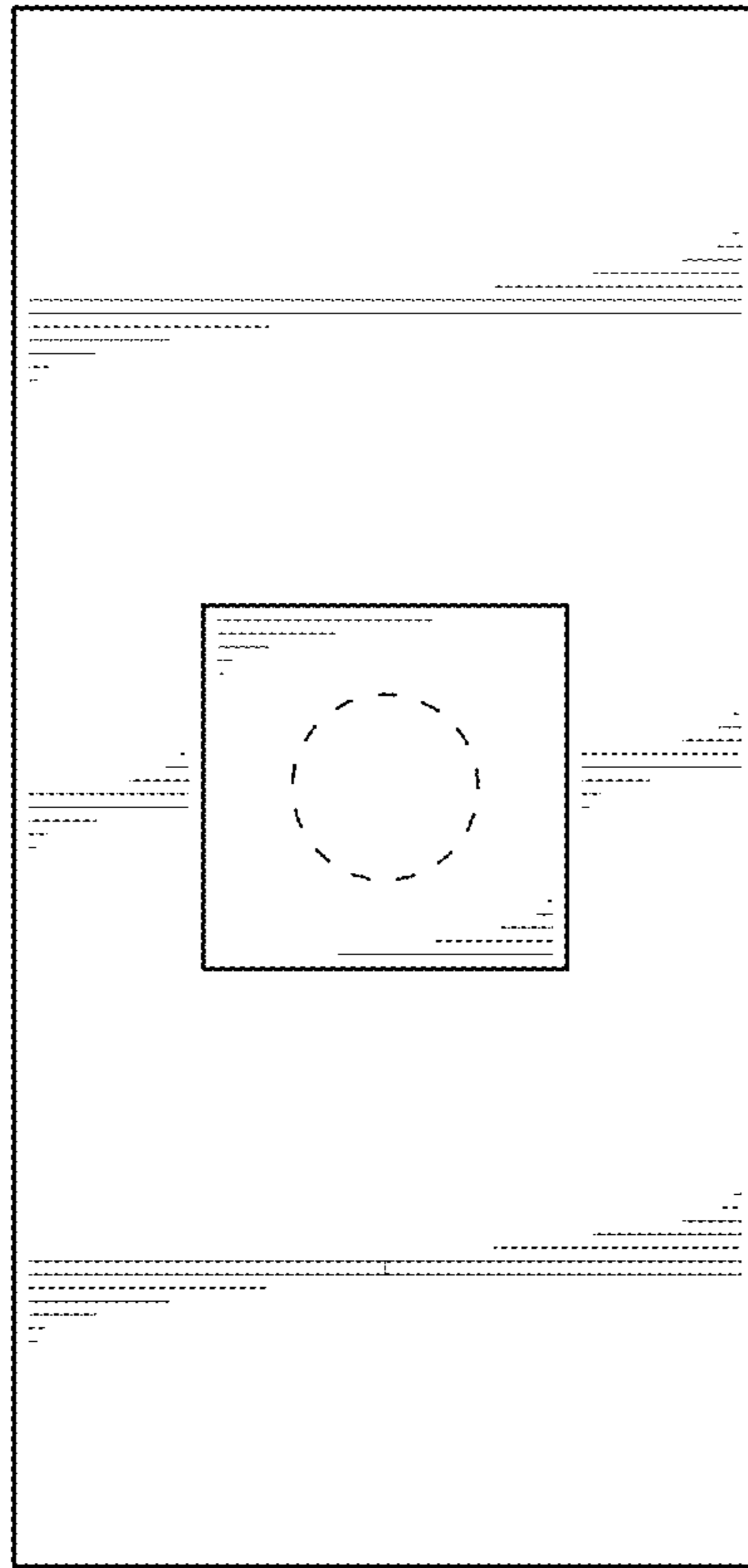


FIG.4

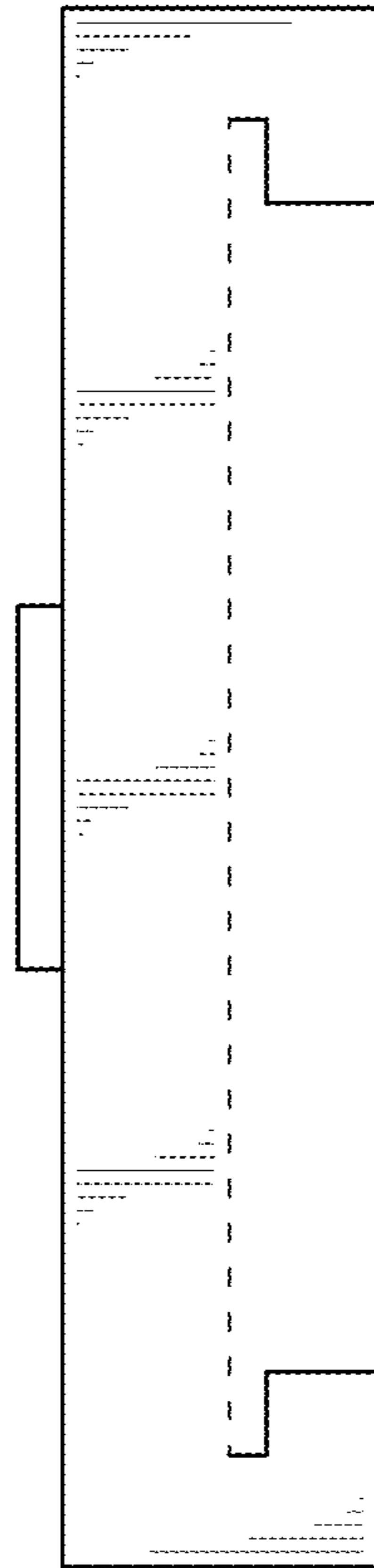


FIG.5

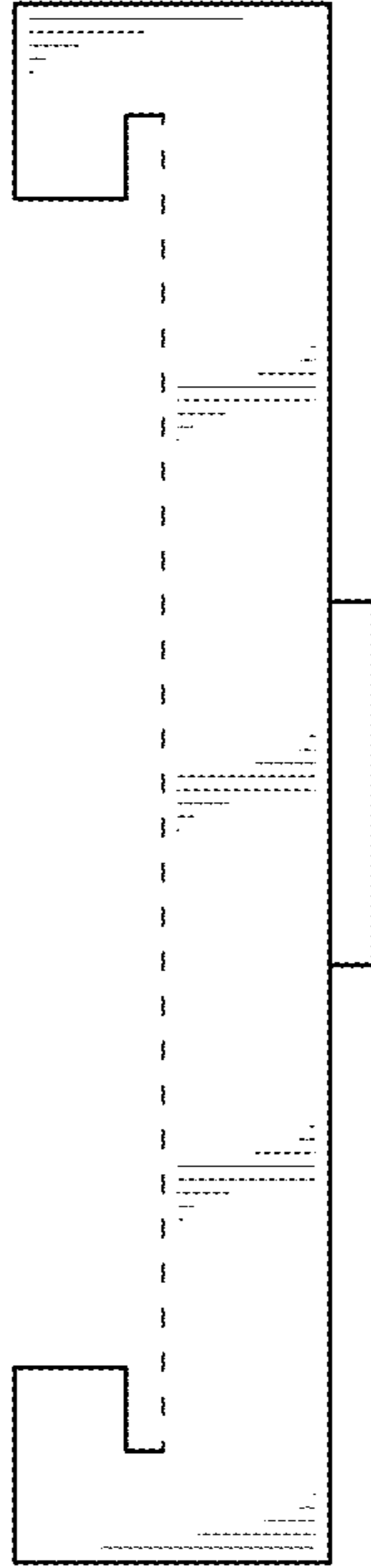


FIG.6

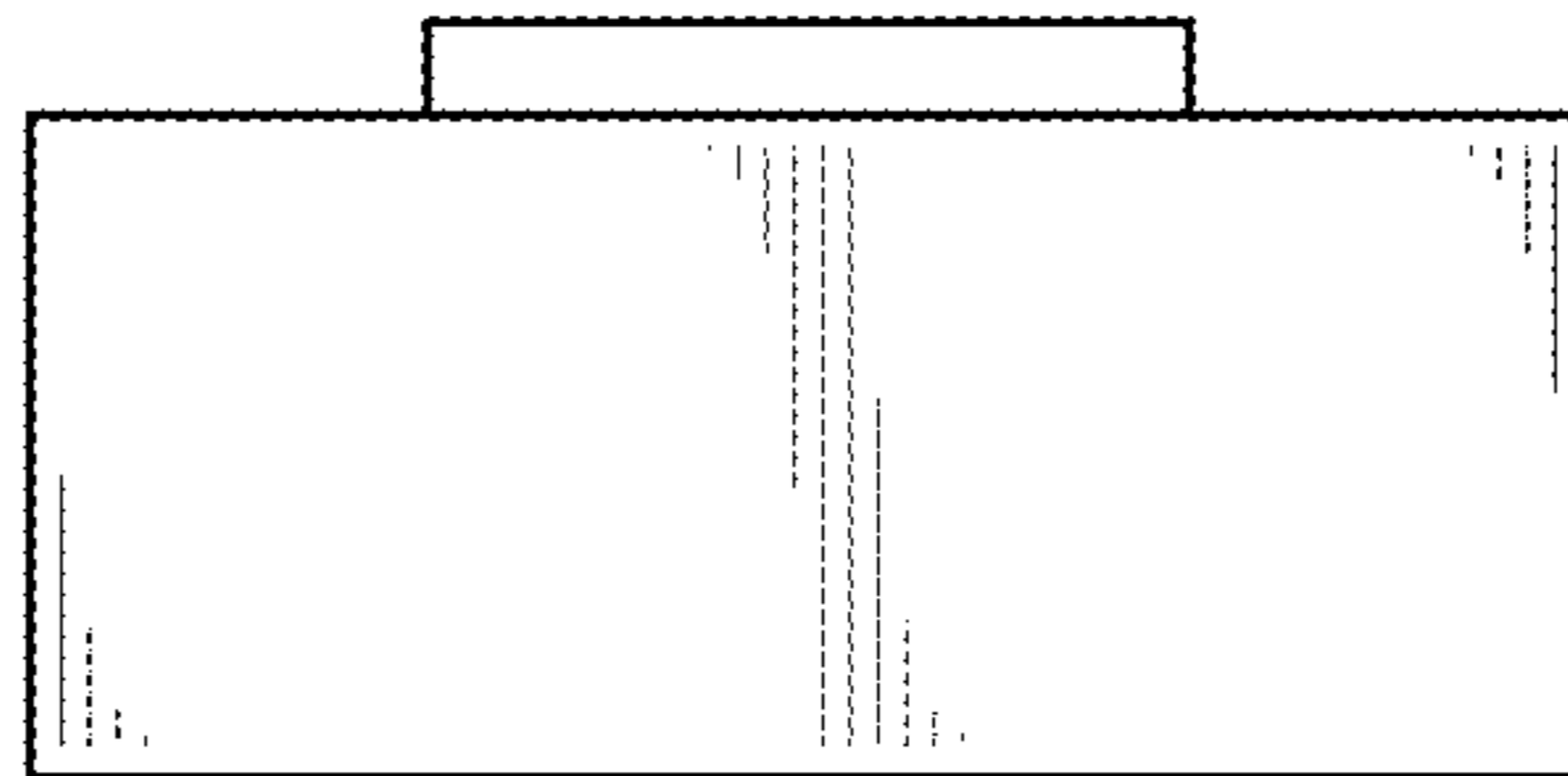


FIG.7

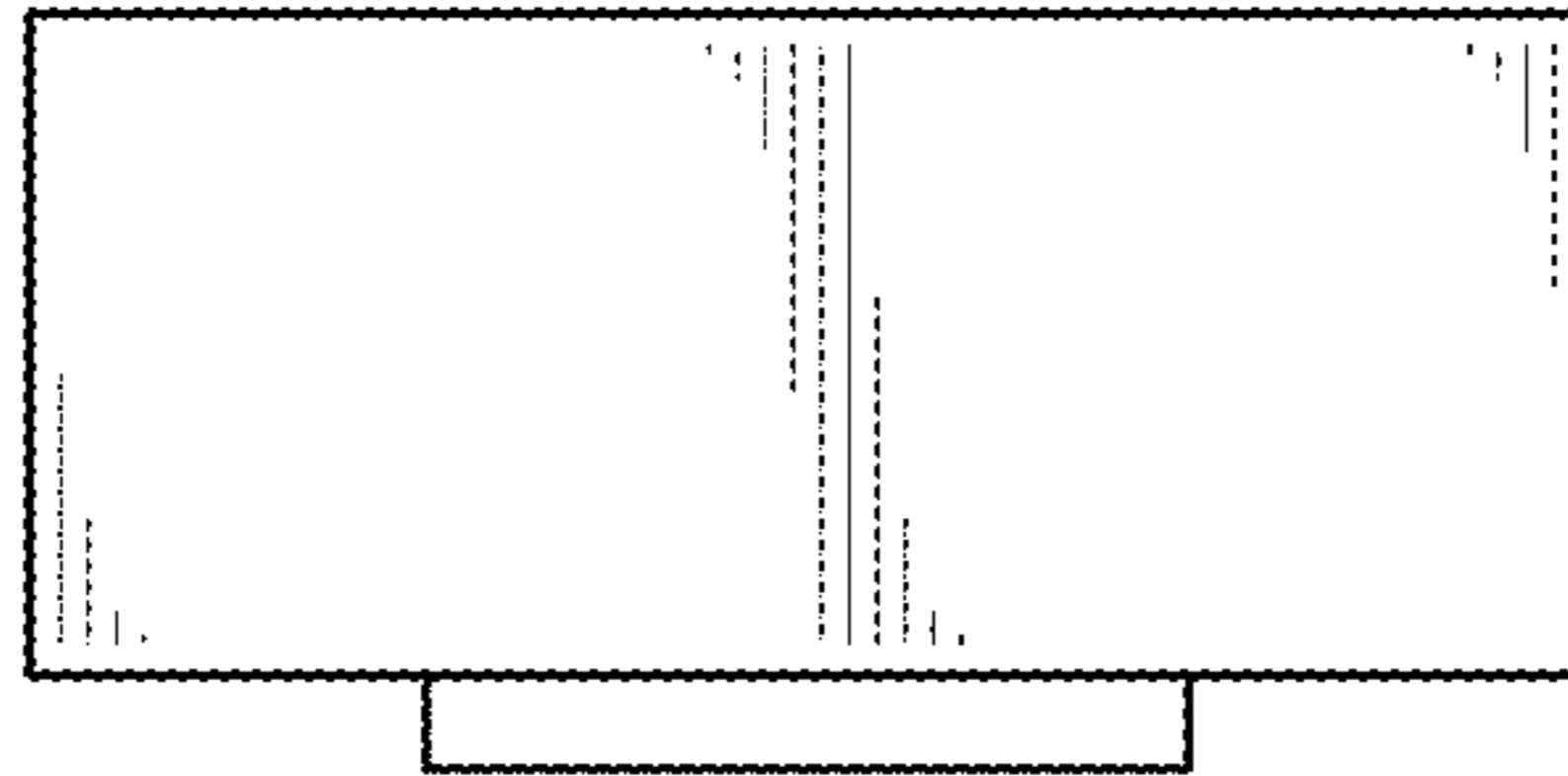


FIG.8