



US00D922858S

(12) **United States Design Patent** (10) **Patent No.:** **US D922,858 S**
McDonald (45) **Date of Patent:** **** Jun. 22, 2021**

(54) **DOWEL BASKET**
 (71) Applicant: **McTech Group, Inc.**, Hertford, NC
 (US)
 (72) Inventor: **Stephen F McDonald**, Hertford, NC
 (US)
 (73) Assignee: **McTech Group, Inc.**, Hertford, NC
 (US)

2,489,851 A 11/1949 Bean
 2,780,149 A 2/1957 Heltzel
 2,848,929 A 8/1958 Wilbur
 3,059,553 A * 10/1962 Woolley E01C 11/14
 404/62
 3,870,428 A 3/1975 Jackson
 3,972,640 A 8/1976 Miller
 4,648,739 A 3/1987 Thomsen
 D361,710 S * 8/1995 Boeshart D8/354

(Continued)

(**) Term: **15 Years**
 (21) Appl. No.: **29/767,643**

FOREIGN PATENT DOCUMENTS

CN 205688305 U 11/2016

(22) Filed: **Jan. 25, 2021**
 (51) **LOC (13) Cl.** **08-05**
 (52) **U.S. Cl.**
 USPC **D8/354**
 (58) **Field of Classification Search**
 USPC D8/349, 354, 353, 499; D25/199, 102,
 D25/61
 CPC E04B 1/4114; E04B 5/023; E04B 1/483
 See application file for complete search history.

OTHER PUBLICATIONS

McTech Group Inc, Green and Sustainable Concrete Slab Load Transfer, North Carolina.

(Continued)

Primary Examiner — Keli L Hill
Assistant Examiner — Harold E Blackwell, II
 (74) *Attorney, Agent, or Firm* — Mehrman Law Office;
 Michael J. Mehrman

(56) **References Cited**

U.S. PATENT DOCUMENTS

1,443,891 A * 1/1923 Sahlberg E01B 3/32
 238/115
 1,457,151 A * 5/1923 Dickey E01B 9/30
 238/89
 1,600,939 A * 9/1926 Graham E01B 3/42
 238/42
 2,133,553 A 10/1938 Lord
 2,168,991 A * 8/1939 Hungerford E04G 17/0721
 254/104
 2,265,301 A 12/1941 Meyer
 2,267,024 A 12/1941 Godwin
 2,291,157 A 7/1942 Hillberg
 2,323,026 A 6/1943 Geyer
 2,375,361 A 5/1945 Hillberg
 2,401,964 A 6/1946 Robertson
 2,439,428 A 4/1948 Hillberg

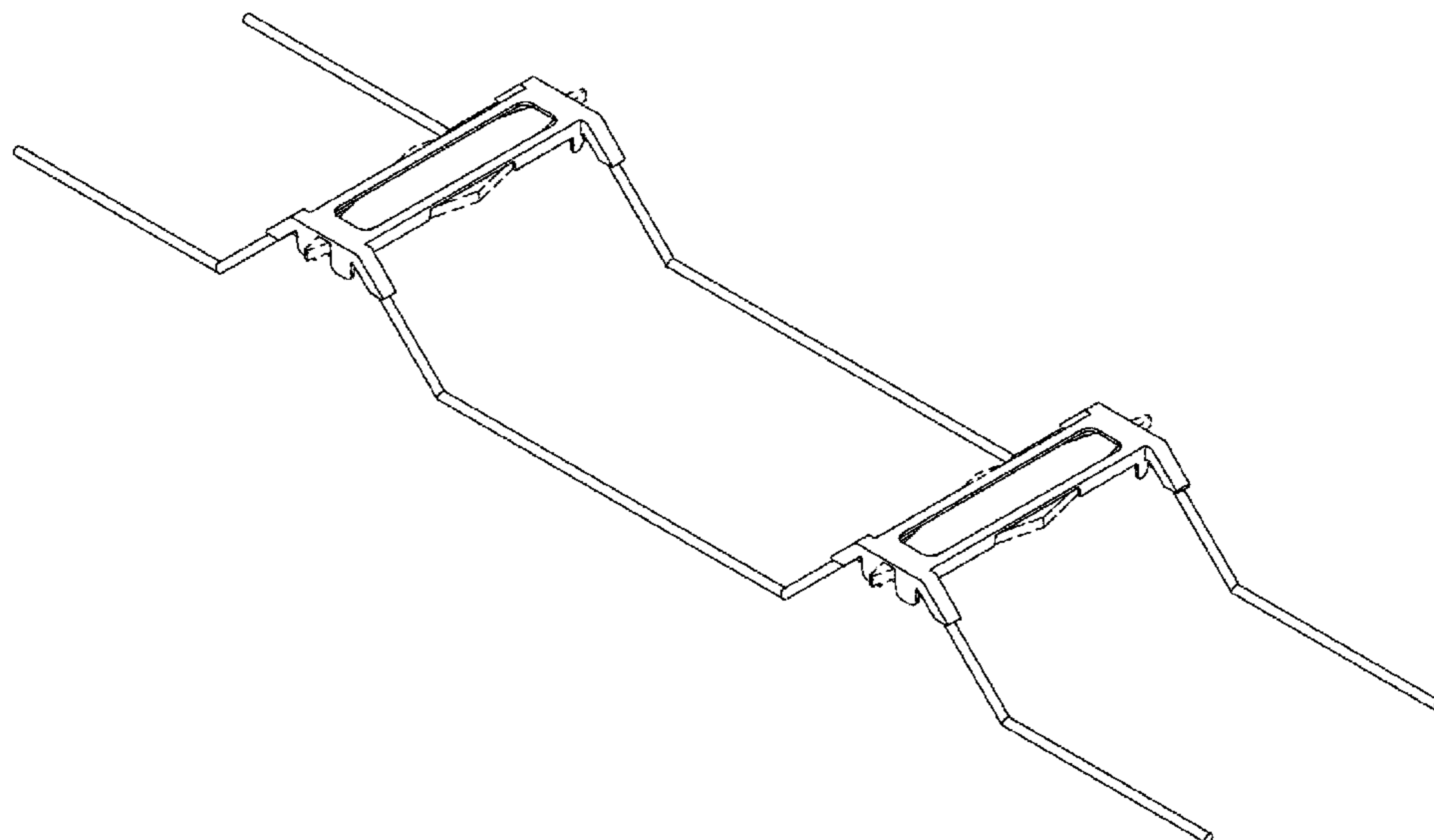
(57) **CLAIM**

The ornamental design for a dowel basket, shown and described herein.

DESCRIPTION

FIG. 1 is a perspective view of a dowel basket, showing the new design;
 FIG. 2 is a top view thereof;
 FIG. 3 is a side elevational view thereof; and,
 FIG. 4 is an end elevational view thereof.
 The left and right side elevational views are substantially identical. The broken line portion of the figure drawings is included to show portions of the article that form no part of the claimed design.

1 Claim, 2 Drawing Sheets



(56)

References Cited

U.S. PATENT DOCUMENTS

D378,049 S * 2/1997 Boeshart D8/354
 D383,373 S * 9/1997 Boeshart D8/354
 5,797,231 A 8/1998 Kramer
 6,092,960 A 7/2000 McCallion
 6,171,016 B1 1/2001 Pauls et al.
 6,210,070 B1 4/2001 Shaw et al.
 6,447,203 B1 9/2002 Ruiz et al.
 6,477,203 B1 11/2002 Poplin
 7,481,031 B2 1/2009 Boxall
 8,381,470 B2 2/2013 Boxall et al.
 8,511,935 B1 8/2013 Thomas
 9,540,775 B2 * 1/2017 Heady E04C 5/162
 9,574,309 B2 * 2/2017 McDonald E01C 11/14
 9,897,124 B1 2/2018 Galligan et al.
 10,119,281 B2 11/2018 Connell
 10,280,568 B2 5/2019 McDonald
 10,443,194 B2 10/2019 McDonald

10,662,642 B2 5/2020 Hansort
 2007/0231068 A1 10/2007 Francis
 2013/0209171 A1 8/2013 Thomas
 2014/0270949 A1 9/2014 Keeran
 2016/0017549 A1 1/2016 Schenk
 2018/0030669 A1 2/2018 Heady
 2018/0195240 A1 * 7/2018 McDonald E01C 23/04
 2018/0320373 A1 * 11/2018 Rodden E01C 11/14
 2018/0347610 A1 * 12/2018 Zuk E01C 11/18
 2019/0249375 A1 * 8/2019 McDonald E01C 11/06
 2020/0217022 A1 * 7/2020 Johnson E01C 11/06

OTHER PUBLICATIONS

Surebuilt Concrete Forms & Accessories, Dowel Basket, Dowel Bar
 Basketsdowel Bar Baskets.
 PNA Construction Technologies, PD3 Basket® Assembly.

* cited by examiner

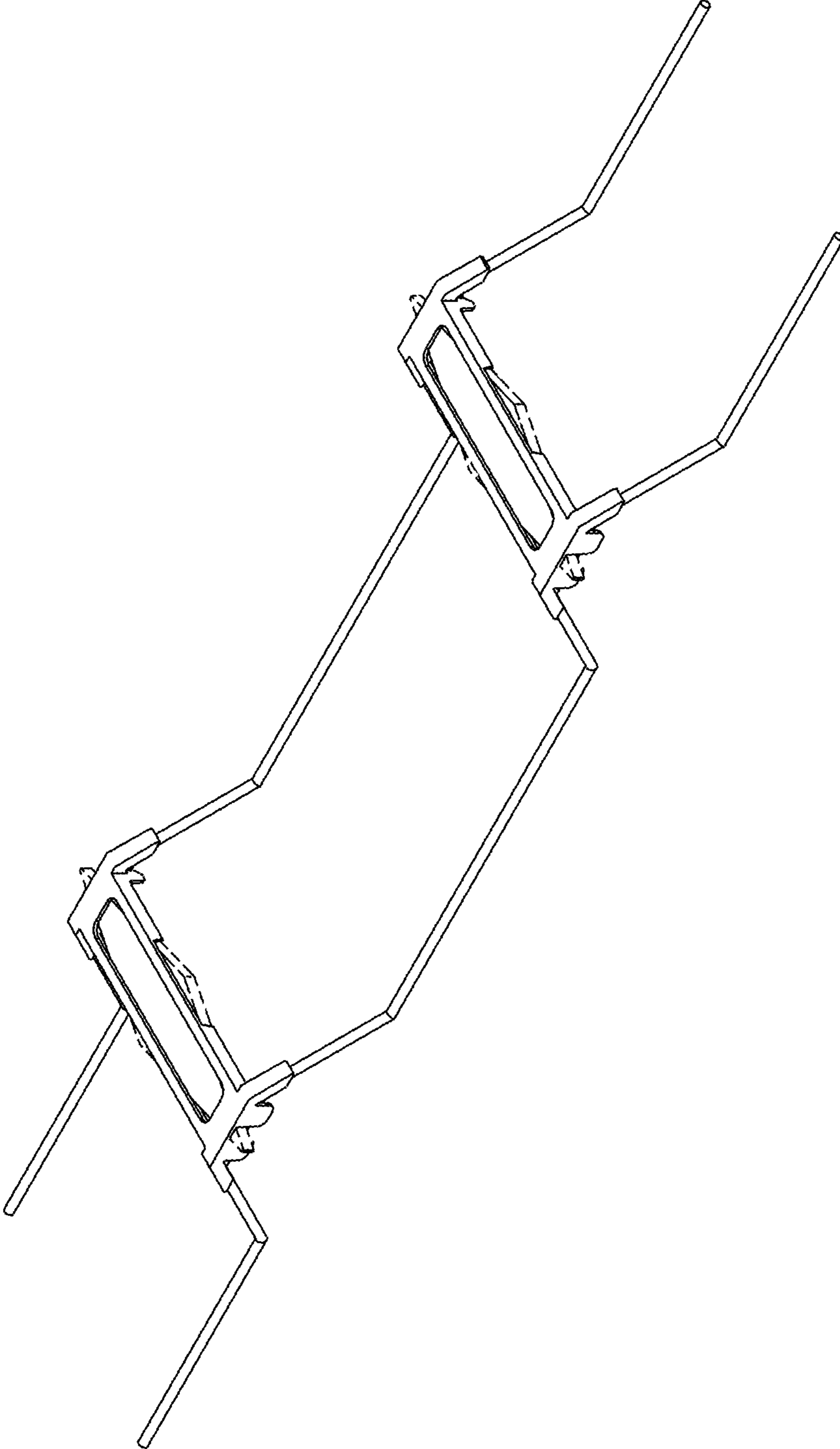


FIG. 1

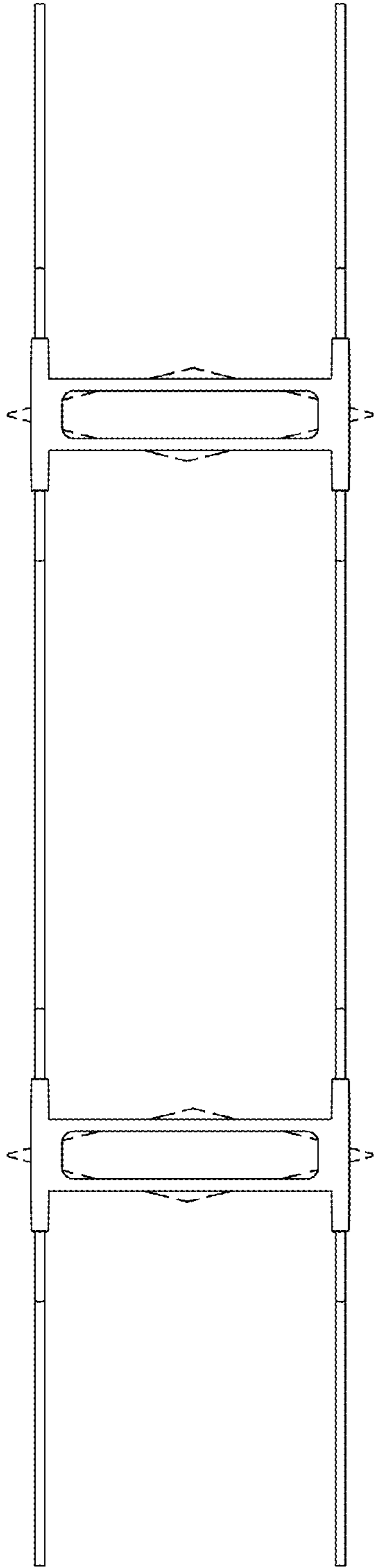


FIG. 2



FIG. 3

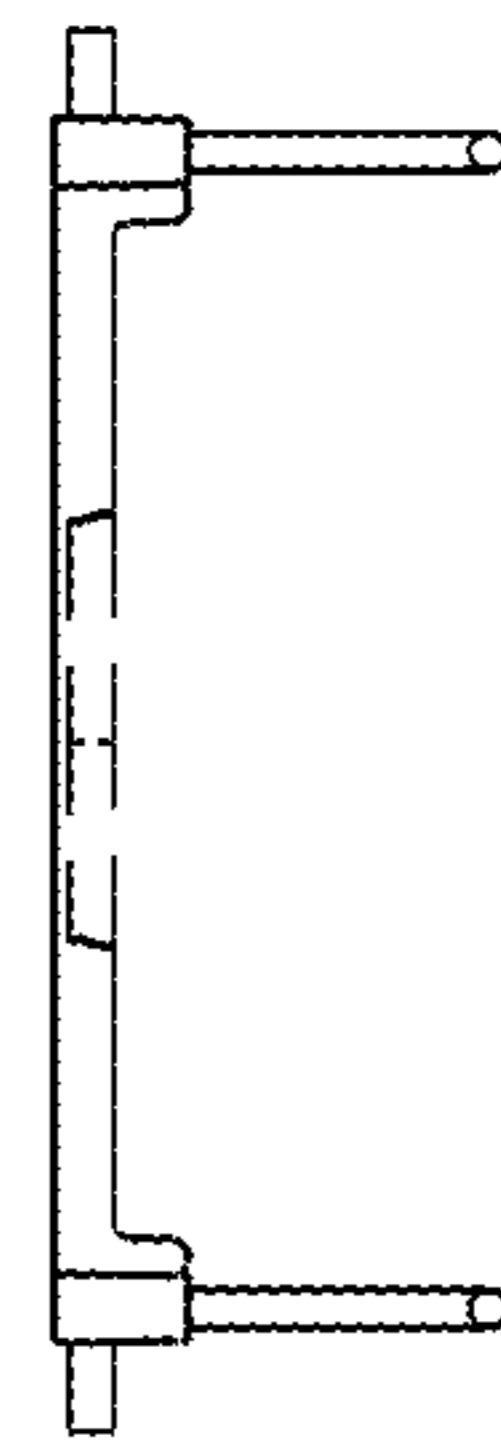


FIG. 4