

US00D922857S

(12) **United States Design Patent** (10) **Patent No.:** **US D922,857 S**
McDonald (45) **Date of Patent:** **** Jun. 22, 2021**

(54) **DOWEL BASKET JACKET** 2,489,851 A 11/1949 Bean
2,780,149 A 2/1957 Heltzel
(71) Applicant: **McTech Group, Inc.**, Hertford, NC 2,848,929 A 8/1958 Wilbur
(US) 3,059,553 A * 10/1962 Woolley E01C 11/14
404/62
(72) Inventor: **Stephen F McDonald**, Hertford, NC 3,870,428 A 3/1975 Jackson
(US) 3,972,640 A 8/1976 Miller
4,648,739 A 3/1987 Thomsen
(73) Assignee: **McTech Group, Inc.**, Hertford, NC D361,710 S * 8/1995 Boeshart D8/354
(US) D378,049 S * 2/1997 Boeshart D8/354
D383,373 S * 9/1997 Boeshart D8/354
(Continued)

(**) Term: **15 Years**

FOREIGN PATENT DOCUMENTS

(21) Appl. No.: **29/767,640**

CN 205688305 U 11/2016

(22) Filed: **Jan. 25, 2021**

OTHER PUBLICATIONS

(51) **LOC (13) Cl.** **08-05**

(52) **U.S. Cl.**
USPC **D8/354**

McTech Group Inc, Green and Sustainable Concrete Slab Load Transfer, North Carolina.

(58) **Field of Classification Search**
USPC D8/349, 354, 353, 499; D25/199, 102,
D25/61
CPC E04B 1/4114; E04B 5/023; E04B 1/483
See application file for complete search history.

(Continued)

Primary Examiner — Keli L Hill
Assistant Examiner — Harold E Blackwell, II
(74) *Attorney, Agent, or Firm* — Mehrman Law Office;
Michael J. Mehrman

(56) **References Cited**

U.S. PATENT DOCUMENTS

(57) **CLAIM**

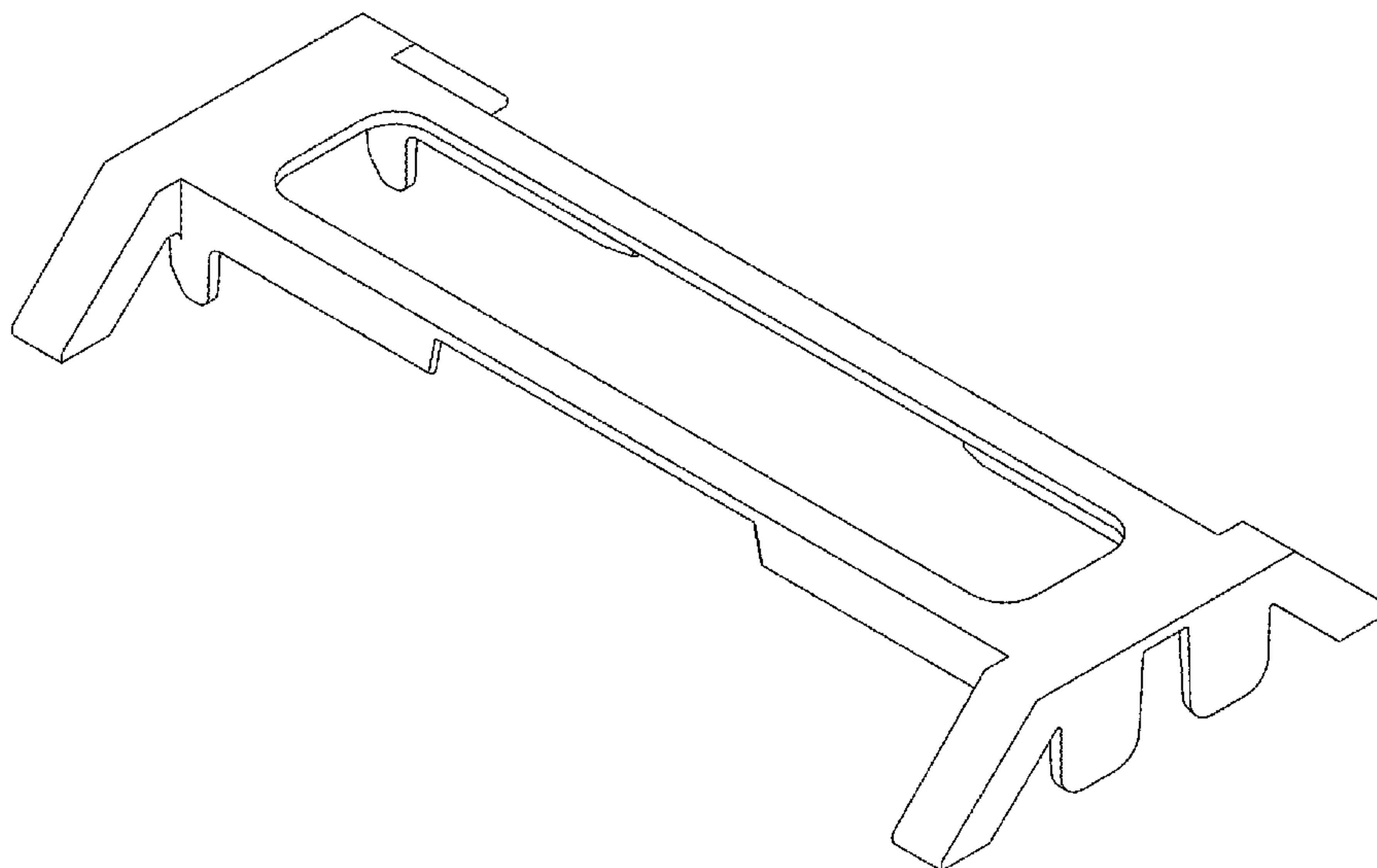
- 1,443,891 A * 1/1923 Sahlberg E01B 3/32
238/115
- 1,457,151 A * 5/1923 Dickey E01B 9/30
238/89
- 1,600,939 A * 9/1926 Graham E01B 3/42
238/42
- 2,133,553 A 10/1938 Lord
- 2,168,991 A * 8/1939 Hungerford E04G 17/0721
254/104
- 2,265,301 A 12/1941 Meyer
- 2,267,024 A 12/1941 Godwin
- 2,291,157 A 7/1942 Hillberg
- 2,323,026 A 6/1943 Geyer
- 2,375,361 A 5/1945 Hillberg
- 2,401,964 A 6/1946 Robertson
- 2,439,428 A 4/1948 Hillberg

The ornamental design for a dowel basket jacket, shown and described herein.

DESCRIPTION

FIG. 1 is a perspective view of a dowel basket jacket, showing the new design;
FIG. 2 is a top view thereof;
FIG. 3 is a side elevational view thereof; and,
FIG. 4 is an end elevational view thereof.
The left and right side elevational views are substantially similar.

1 Claim, 2 Drawing Sheets



(56)

References Cited

U.S. PATENT DOCUMENTS

5,797,231	A	8/1998	Kramer	
6,092,960	A	7/2000	McCallion	
6,171,016	B1	1/2001	Pauls et al.	
6,210,070	B1	4/2001	Shaw et al.	
6,447,203	B1	9/2002	Ruiz et al.	
6,477,203	B1	11/2002	Poplin	
7,481,031	B2	1/2009	Boxall	
8,381,470	B2	2/2013	Boxall et al.	
8,511,935	B1	8/2013	Thomas	
9,540,775	B2 *	1/2017	Heady	E04C 5/162
9,574,309	B2 *	2/2017	McDonald	E01C 11/14
9,897,124	B1	2/2018	Galligan et al.	
10,119,281	B2	11/2018	Connell	
10,280,568	B2	5/2019	McDonald	
10,443,194	B2	10/2019	McDonald	
10,662,642	B2	5/2020	Hansort	
2007/0231068	A1	10/2007	Francis	
2013/0209171	A1	8/2013	Thomas	
2014/0270949	A1	9/2014	Keeran	
2016/0017549	A1	1/2016	Schenk	
2018/0030669	A1	2/2018	Heady	
2018/0195240	A1 *	7/2018	McDonald	E01C 23/04
2018/0320373	A1 *	11/2018	Rodden	E01C 11/14
2018/0347610	A1 *	12/2018	Zuk	E01C 11/18
2019/0249375	A1 *	8/2019	McDonald	E01C 11/06
2020/0217022	A1 *	7/2020	Johnson	E01C 11/06

OTHER PUBLICATIONS

Surebuilt Concrete Forms & Accessories, Dowel Basket, Dowel Bar
 Basketsdowel Bar Baskets.
 PNA Construction Technologies, PD3 Basket® Assembly.

* cited by examiner

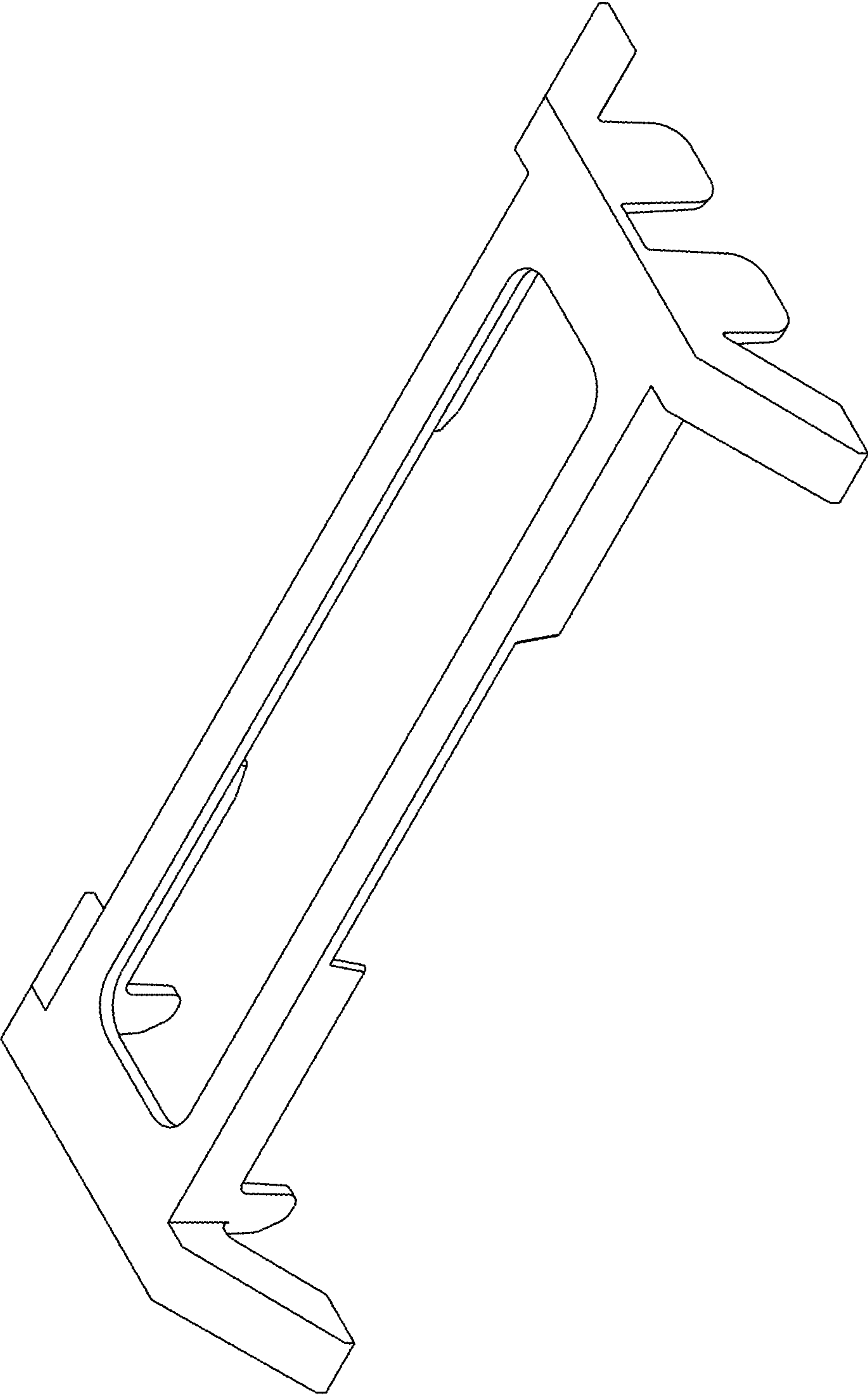


FIG. 1

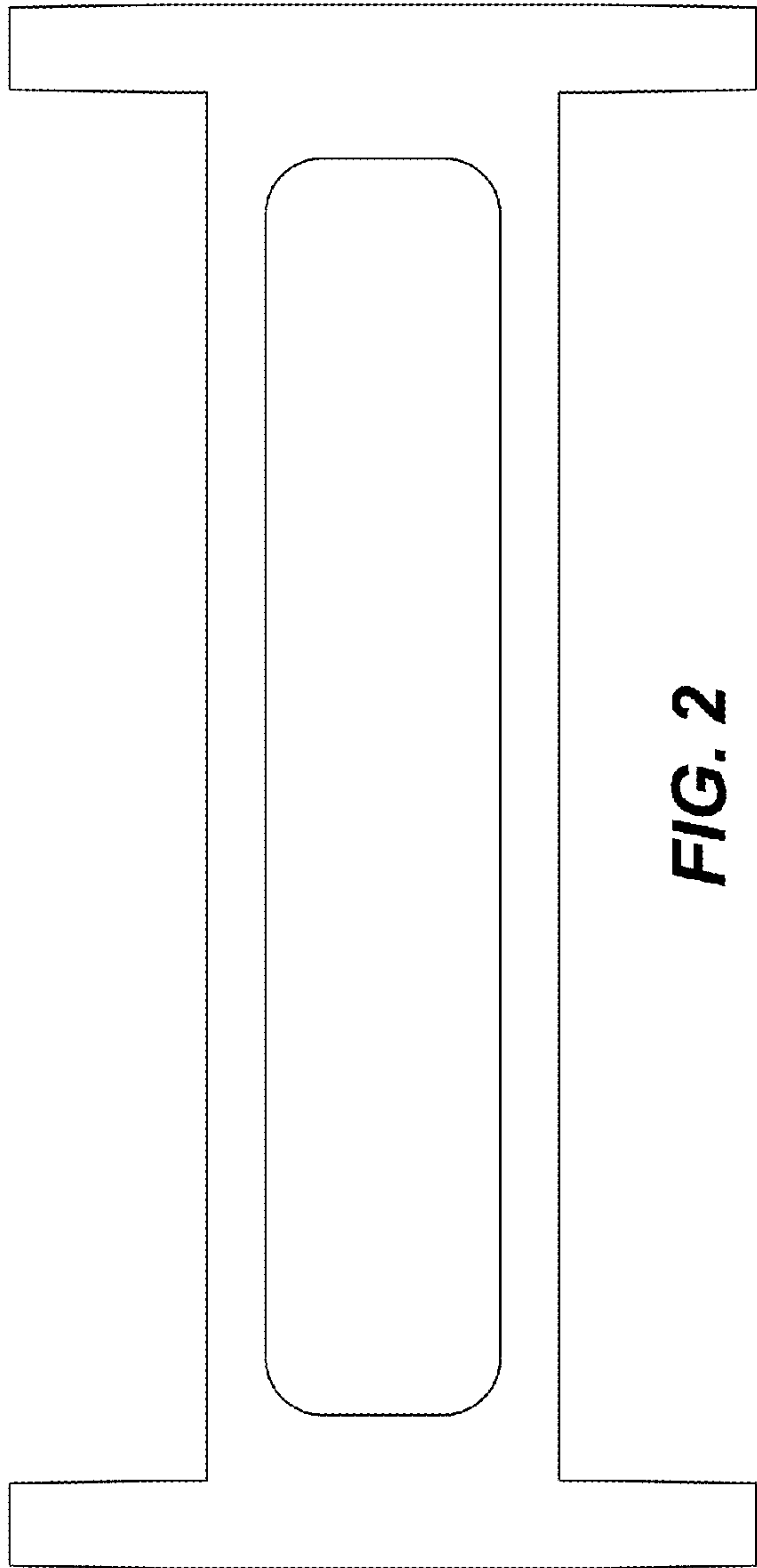


FIG. 2



FIG. 3

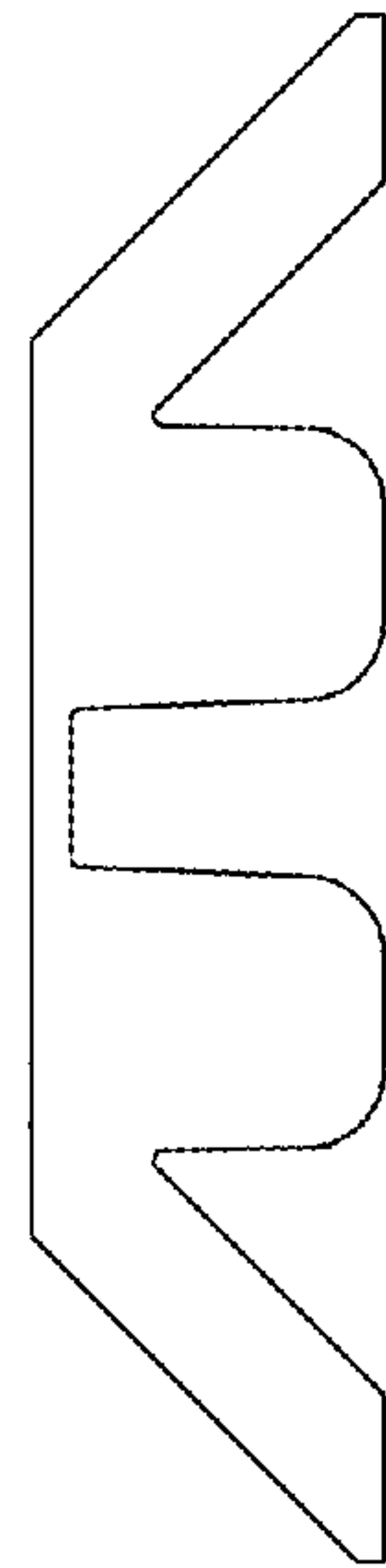


FIG. 4