



US00D922855S

(12) **United States Design Patent** (10) **Patent No.:** **US D922,855 S**
Molloy et al. (45) **Date of Patent:** **** Jun. 22, 2021**

(54) **WINDOW FASTENERS**

FOREIGN PATENT DOCUMENTS

(71) Applicant: **ASSA ABLOY New Zealand Limited**,
North Shore (NZ)

AU 199062495 3/1991
AU 686089 1/1998

(Continued)

(72) Inventors: **Bryce Alan Molloy**, Panmure Auckland
(NZ); **Lewis Joseph Isaacson**, Redvale
Auckland (NZ)

OTHER PUBLICATIONS

U.S. Appl. No. 29/641,832, filed Mar. 26, 2018.

(73) Assignee: **ASSA ABLOY New Zealand Limited**,
North Shore (NZ)

(Continued)

(**) Term: **15 Years**

Primary Examiner — Doris Clark

(74) *Attorney, Agent, or Firm* — Sheridan Ross P.C.

(21) Appl. No.: **29/745,309**

(22) Filed: **Aug. 5, 2020**

(57) **CLAIM**

Related U.S. Application Data

The ornamental design for window fasteners, as shown and described.

(62) Division of application No. 29/641,832, filed on Mar.
26, 2018, now Pat. No. Des. 904,856.

(30) **Foreign Application Priority Data**

DESCRIPTION

Sep. 28, 2017 (NZ) 423553

(51) **LOC (13) Cl.** **08-07**

(52) **U.S. Cl.**

USPC **D8/337**

(58) **Field of Classification Search**

USPC D8/337

CPC E05B 63/04; E05B 65/0025; E05C 3/06;

E05C 3/10; E05C 3/043; Y10T 292/0883;

Y10T 292/0857; Y10T 292/1041; Y10T

292/1043; Y10T 292/1039; Y10T

292/1077

See application file for complete search history.

FIG. 1 is a top left isometric view of a window fastener;
FIG. 2 is a top right isometric view of a window fastener;
FIG. 3 is a top left isometric rear view of a window fastener;
FIG. 4 is a top right isometric rear view of a window
fastener;
FIG. 5 is a left side view of a window fastener;
FIG. 6 is a front view of a window fastener;
FIG. 7 is a right side view of a window fastener;
FIG. 8 is a back view of a window fastener;
FIG. 9 is a bottom view of a window fastener;
FIG. 10 is a bottom left isometric view of a window fastener;
FIG. 11 is a bottom right isometric view of a window
fastener;
FIG. 12 is a bottom left isometric rear view of a window
fastener; and,
FIG. 13 is a bottom right isometric rear view of a window
fastener.

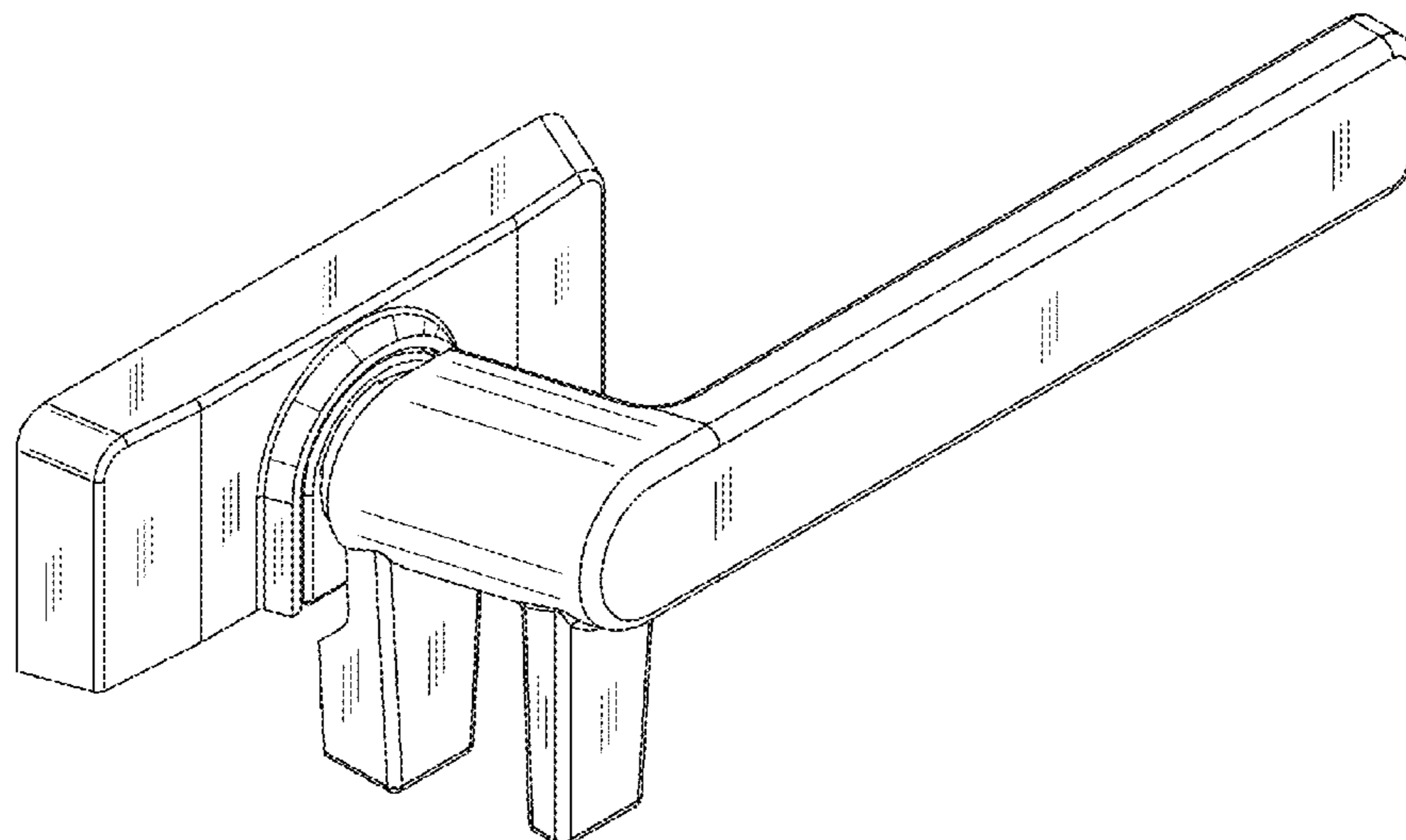
(56) **References Cited**

U.S. PATENT DOCUMENTS

D295,948 S * 5/1988 Mandell D8/337
5,092,640 A 3/1992 Plummer

(Continued)

1 Claim, 13 Drawing Sheets



(56)

References Cited

U.S. PATENT DOCUMENTS

5,219,193	A	6/1993	Piltingsrud
5,741,032	A	4/1998	Chaput
5,769,469	A	6/1998	Zemke
5,927,771	A	7/1999	Simon et al.
6,412,834	B1	7/2002	Waitai et al.
D572,112	S	7/2008	Schlumbom
9,157,902	B2	10/2015	Gore et al.
2004/0026932	A1	2/2004	Coleman et al.

FOREIGN PATENT DOCUMENTS

AU	778899	4/2001
CN	103953219	4/2016
EP	2362039	8/2011
GB	2282178	3/1995
NZ	243644	6/1995
NZ	243800	7/1995
NZ	333644	1/2000
NZ	336517	3/2001

NZ	500423	3/2002
NZ	522958	1/2004
NZ	533304	11/2006
NZ	534607	1/2007
NZ	554172	11/2008
NZ	725299	4/2017
NZ	718764	10/2017
WO	WO 2008/118028	10/2008
WO	WO 2017/048133	3/2017

OTHER PUBLICATIONS

International Search Report and Written Opinion for International (PCT) Patent Application No. PCT/NZ2016/050139, dated Jan. 3, 2017, 15 pages.

Official Action for U.S. Appl. No. 29/641,832, dated May 12, 2020
6 pages Restriction Requirement.

Official Action for U.S. Appl. No. 29/641,832, dated Sep. 11, 2020
11 pages.

* cited by examiner

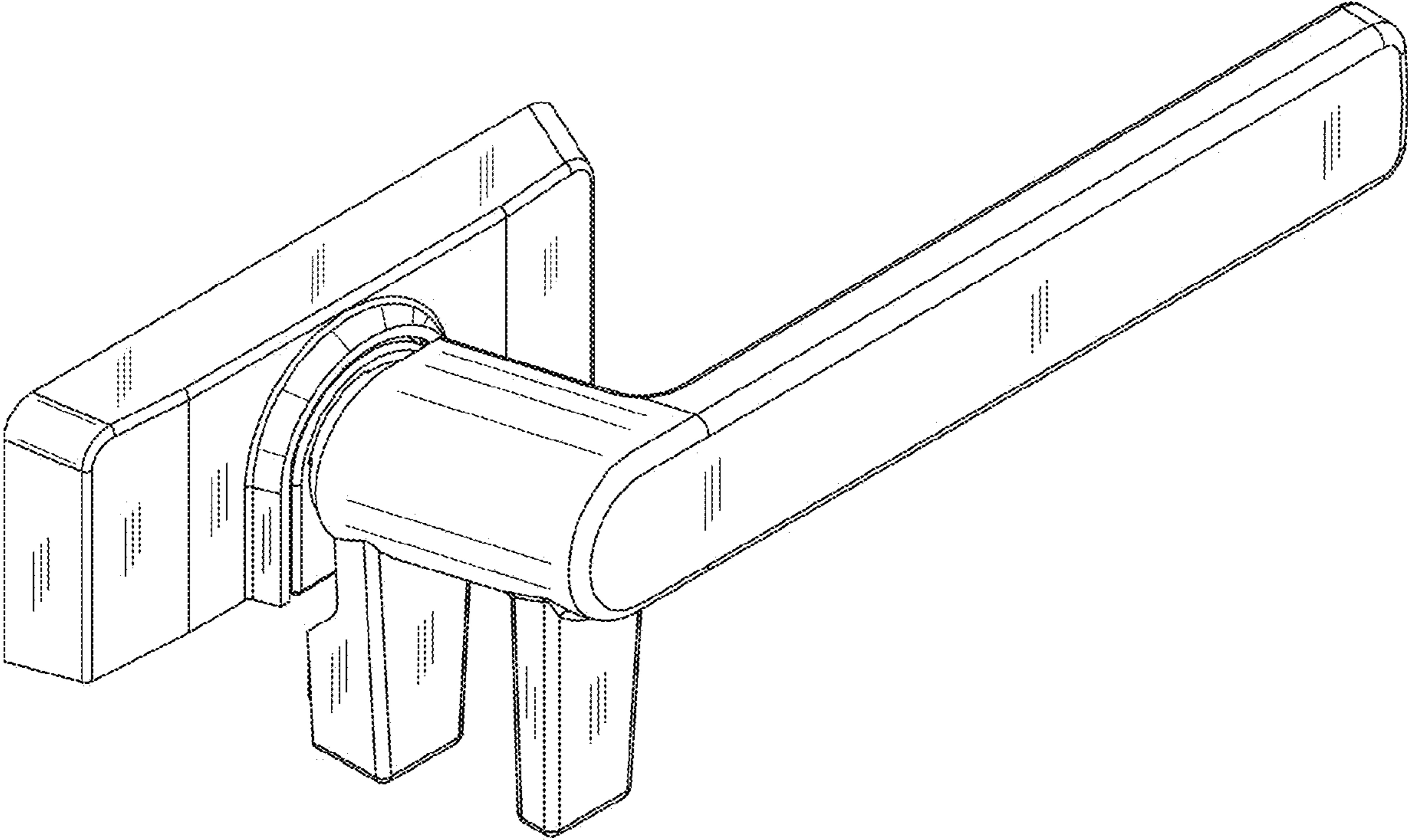


FIG.1

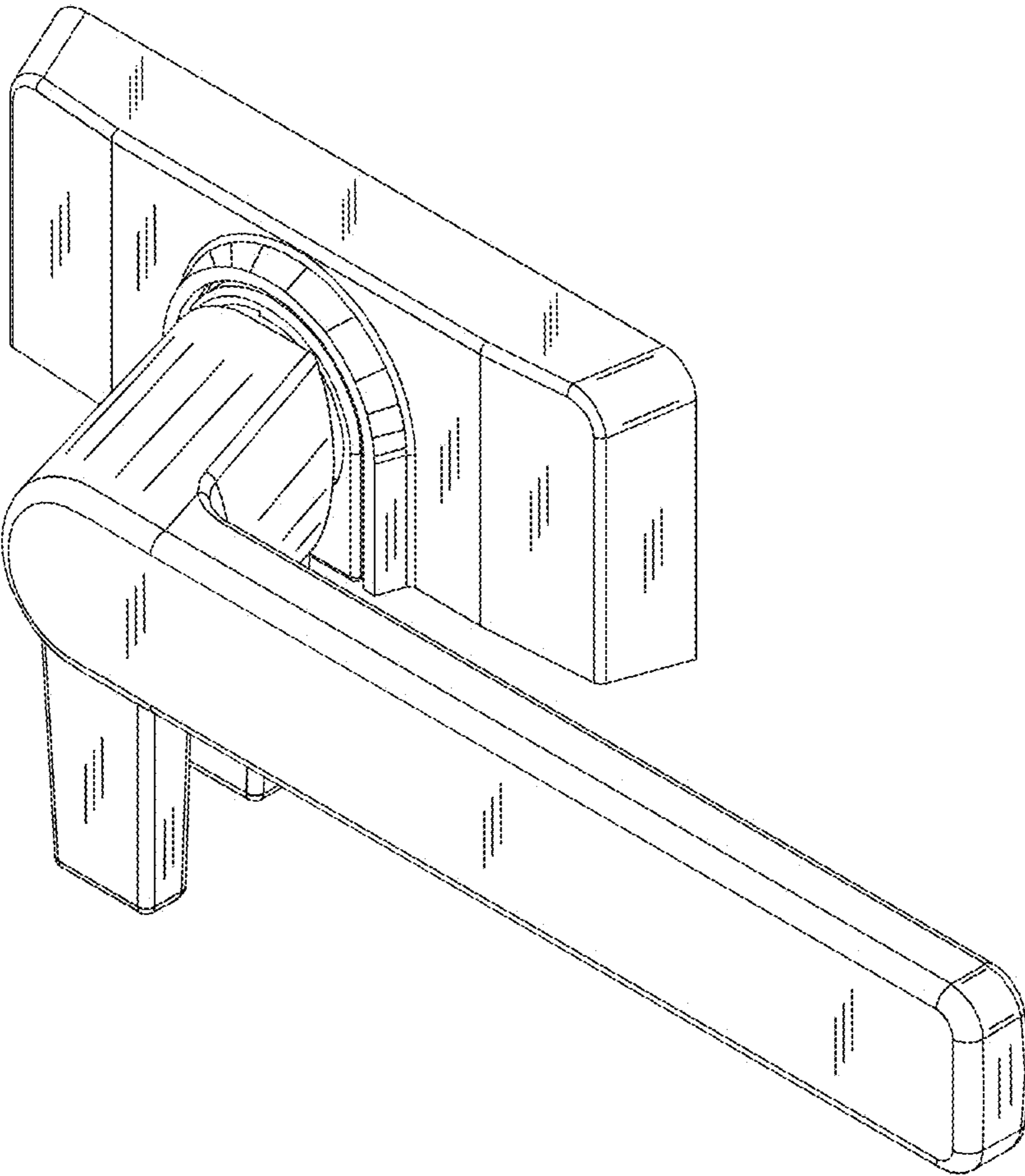


FIG.2

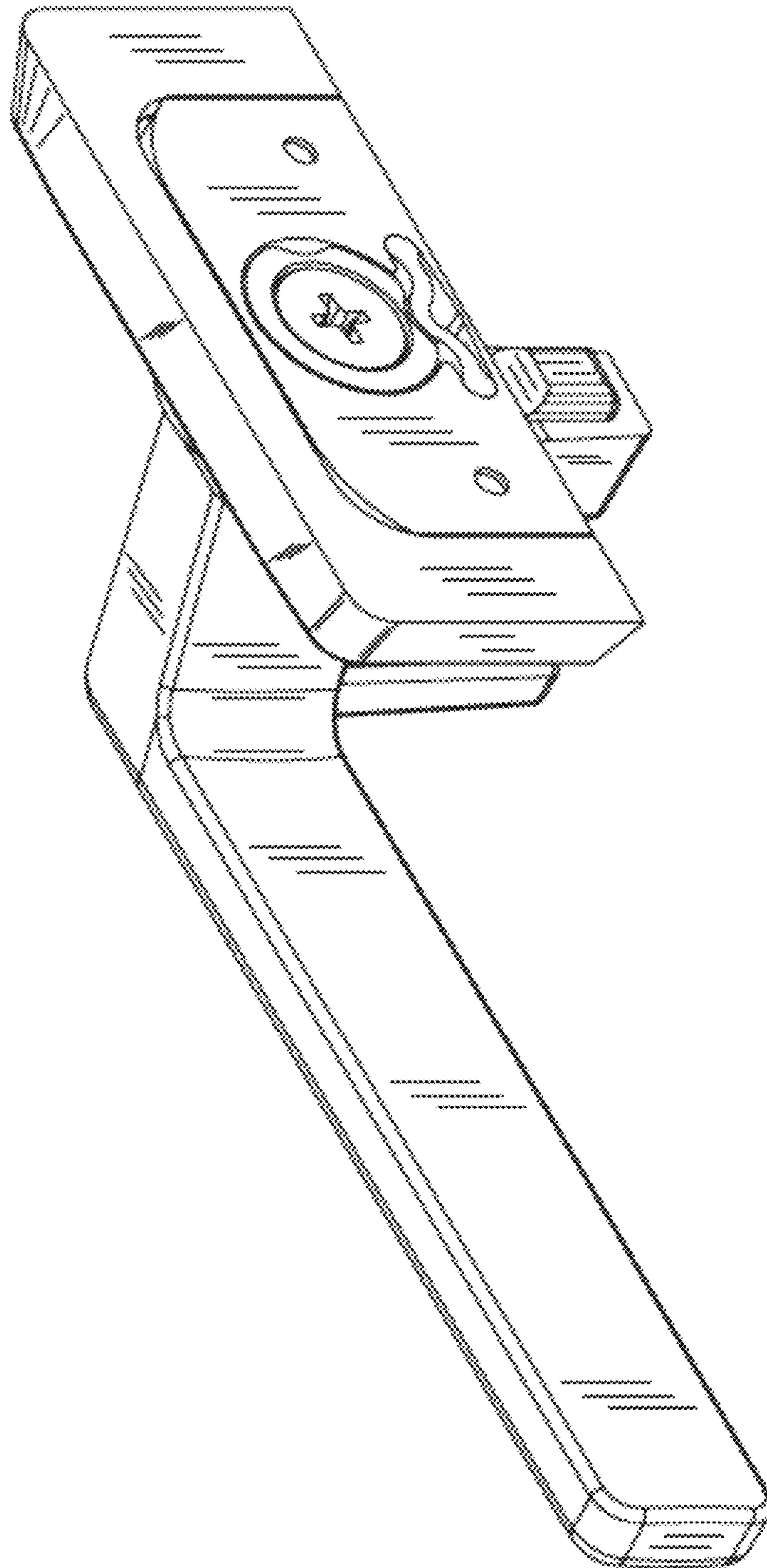


FIG. 3

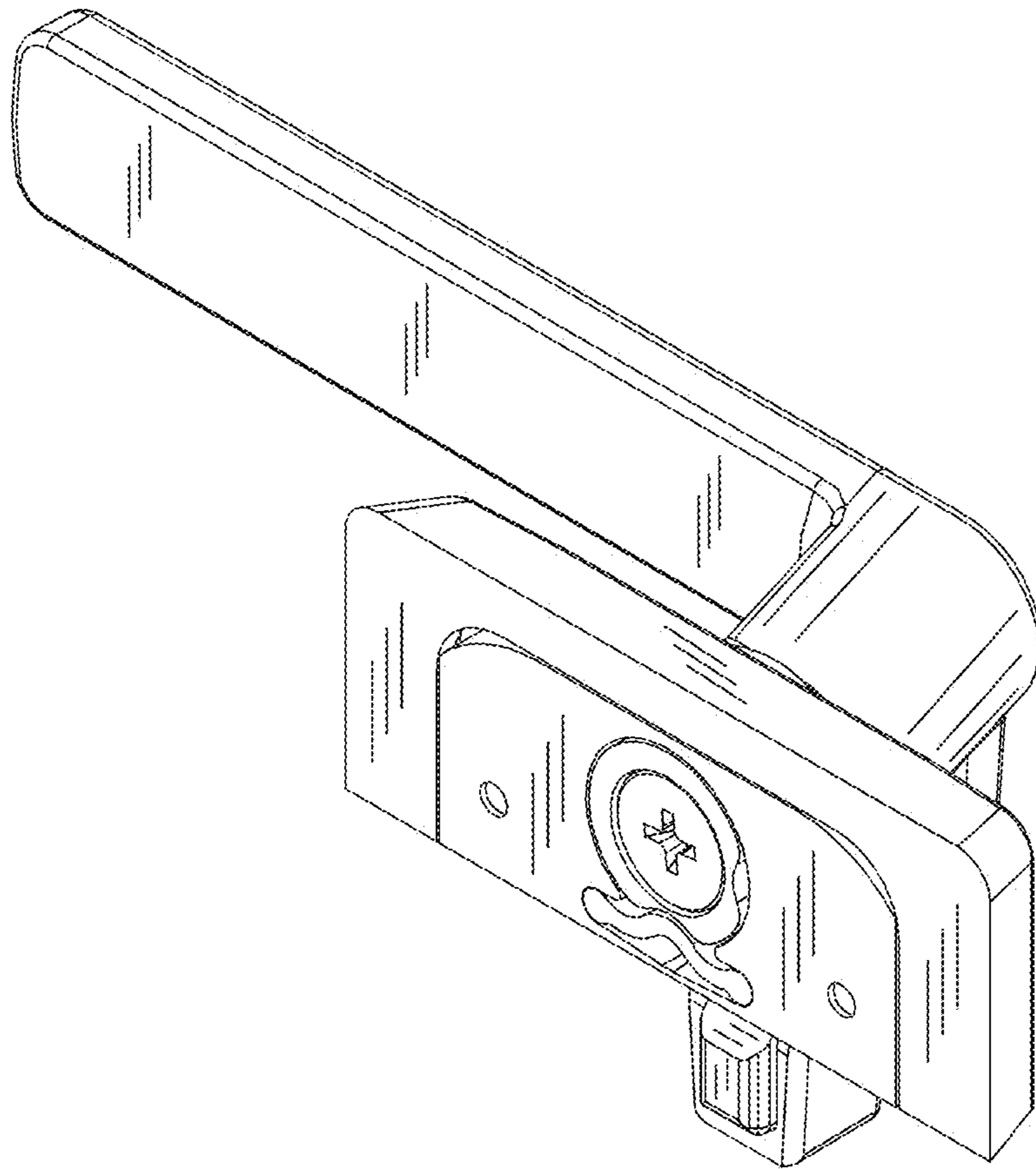


FIG.4

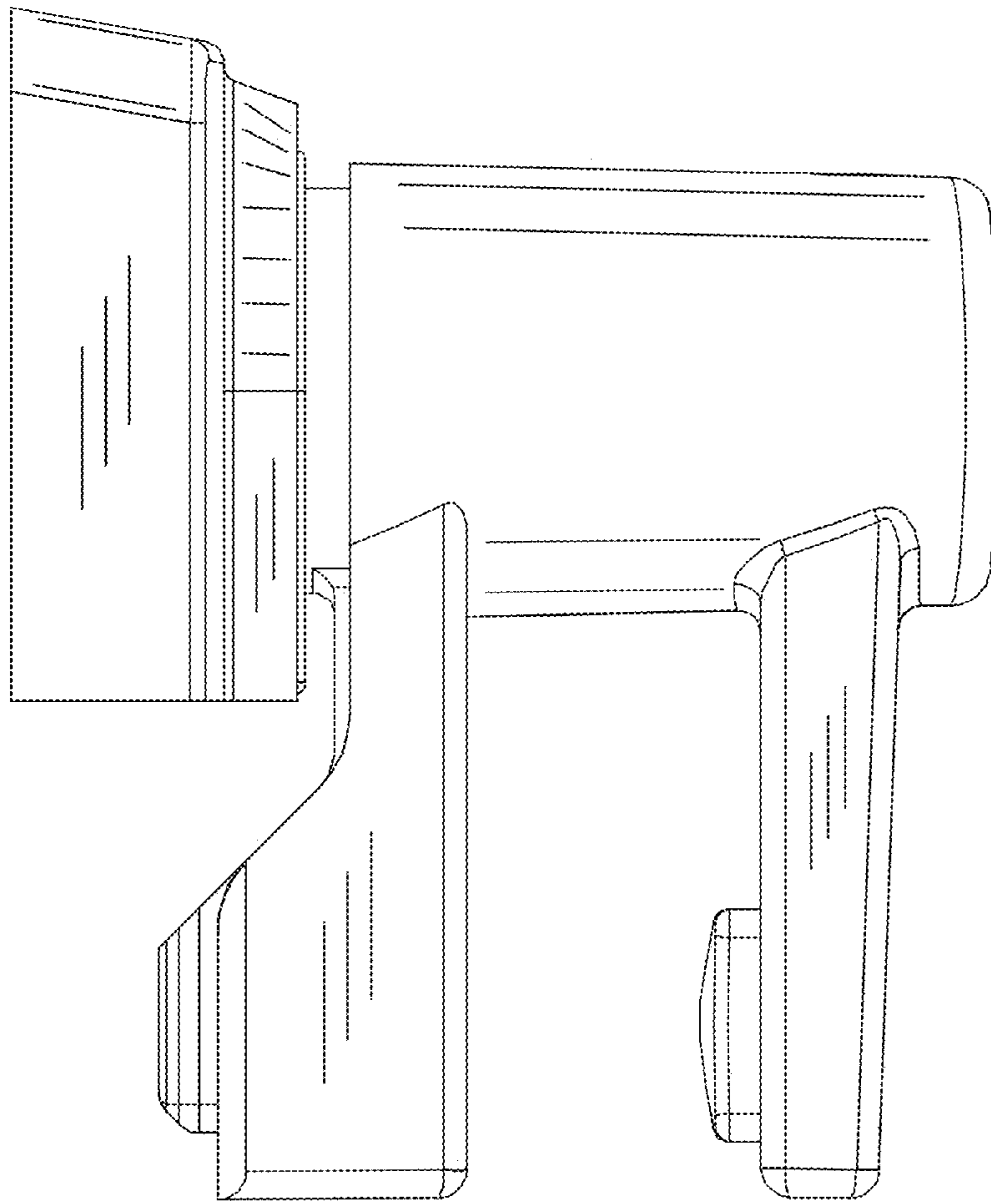


FIG.5

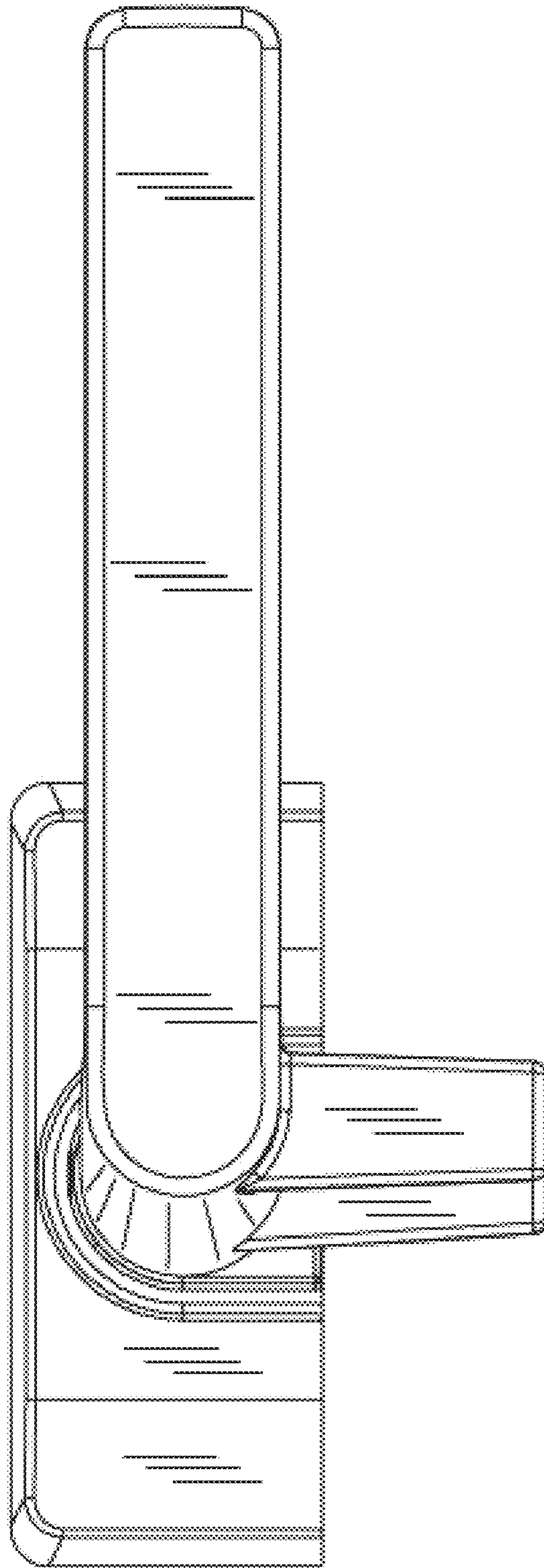


FIG. 6

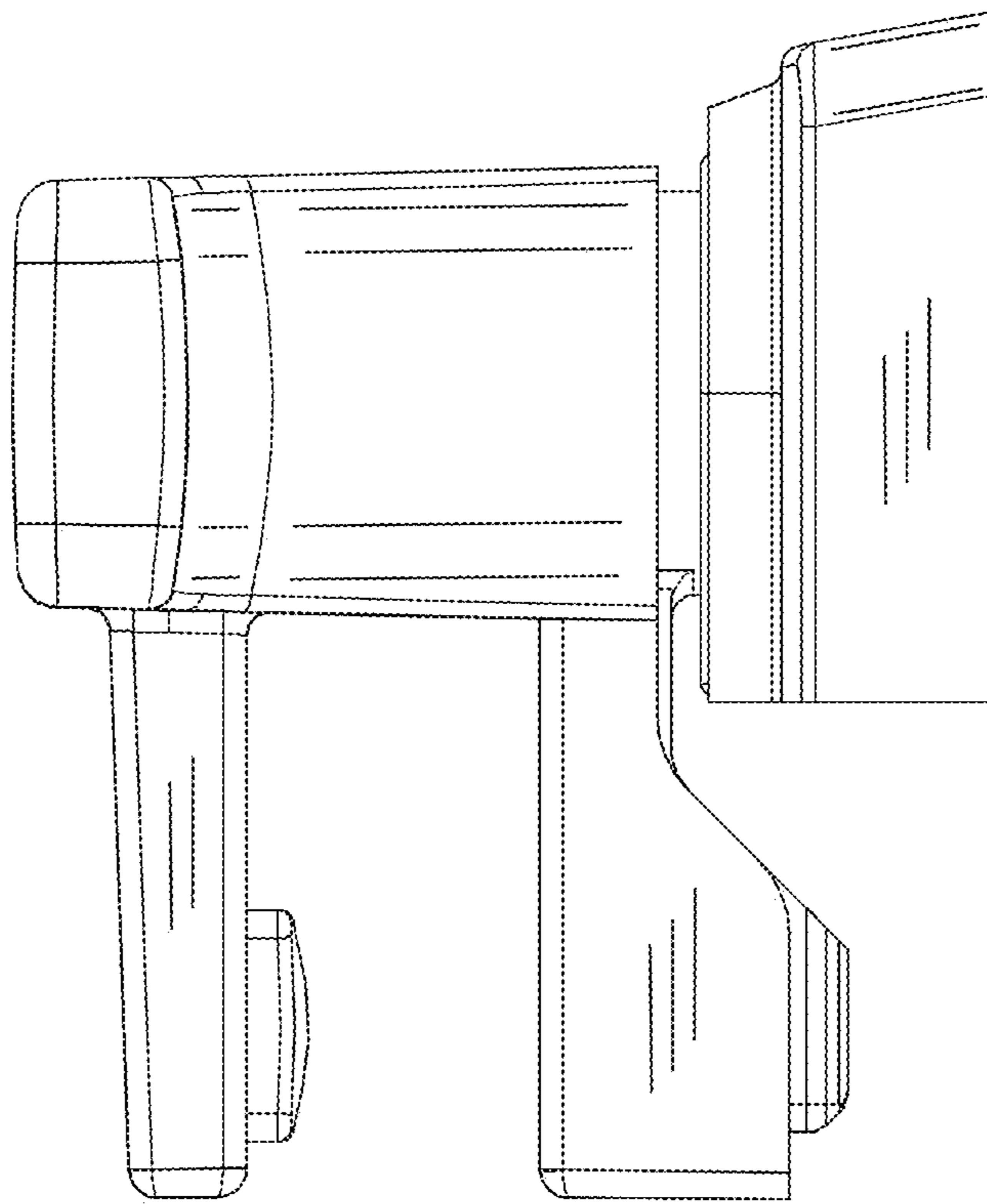


FIG. 7

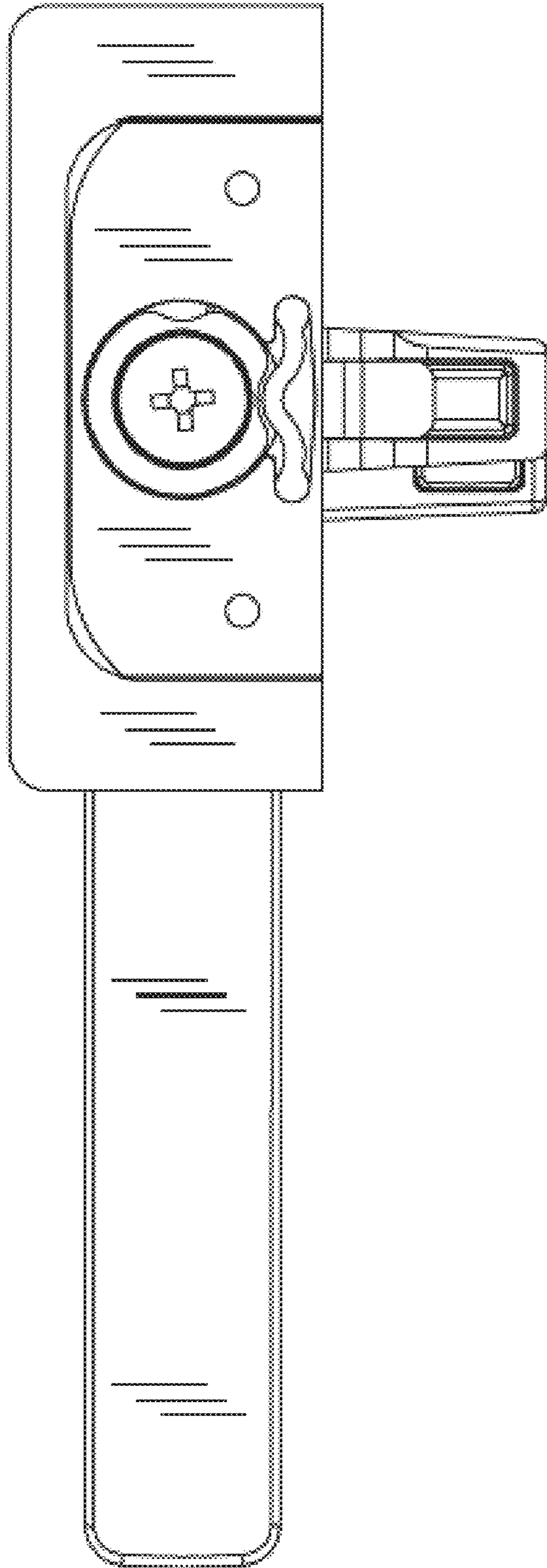


FIG. 8

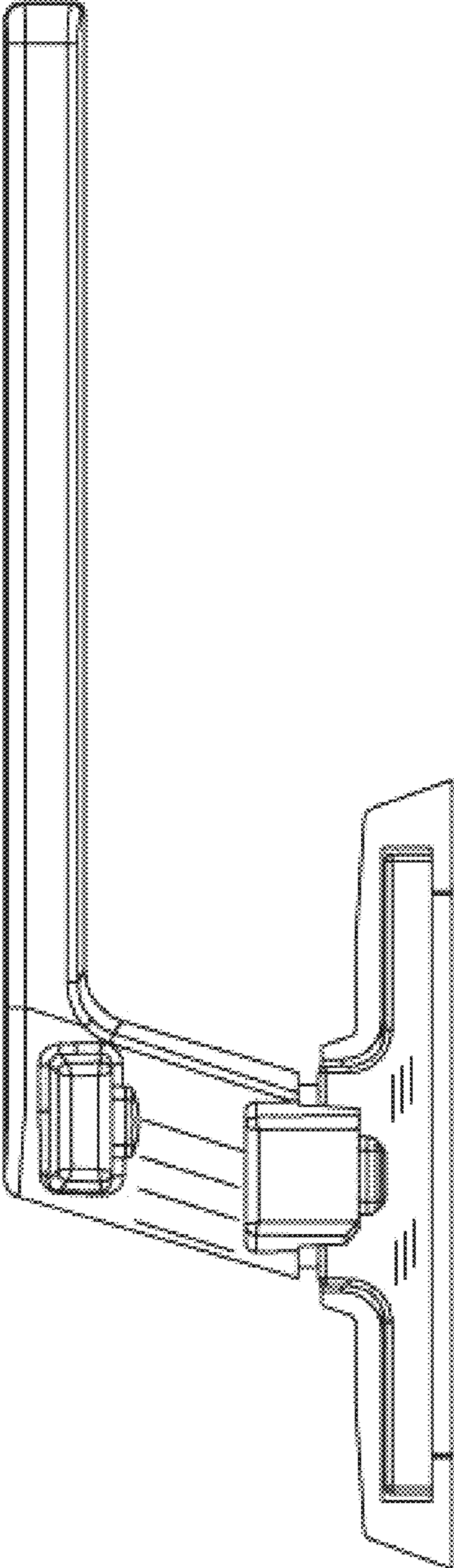


FIG. 9

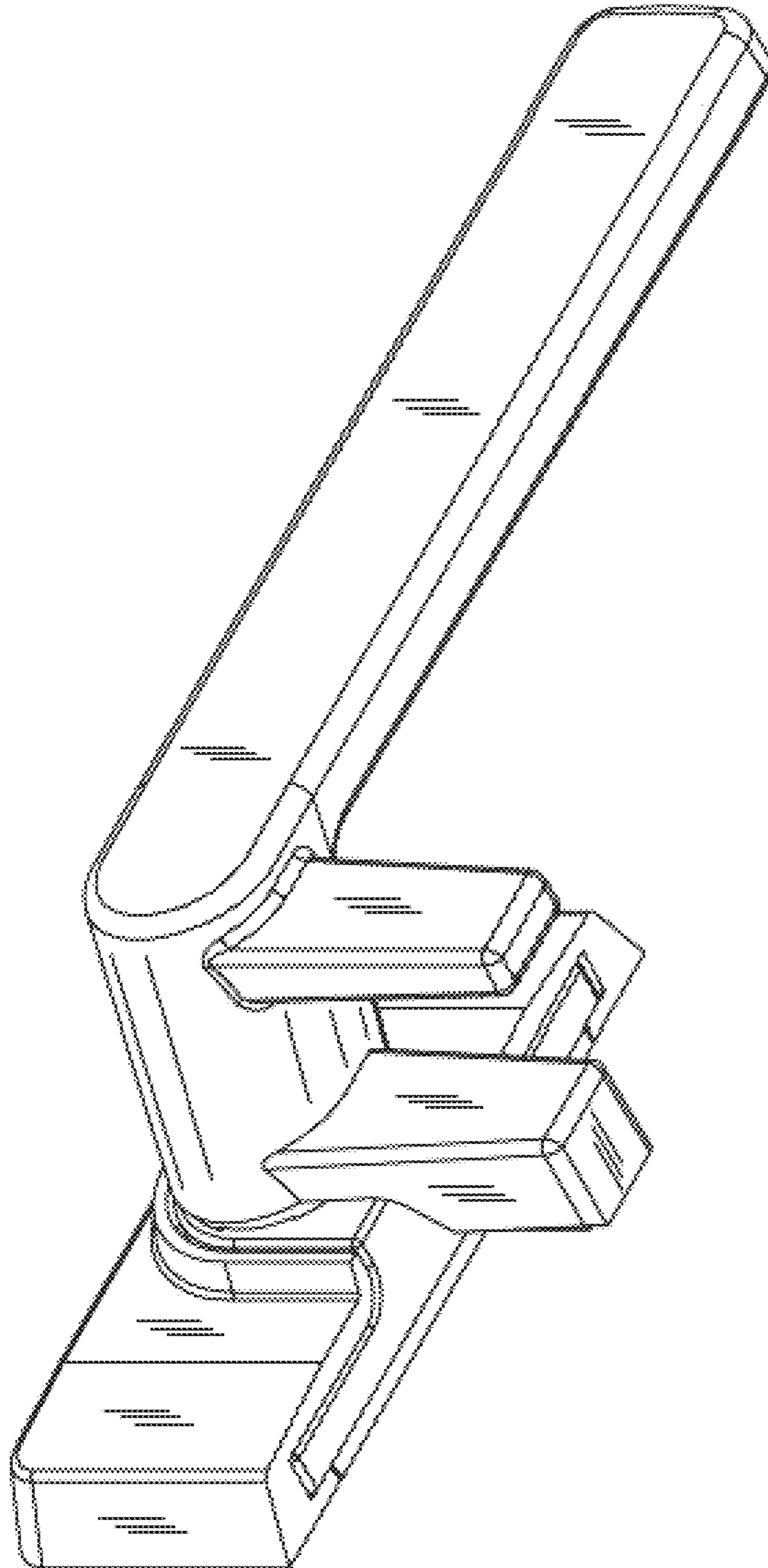


FIG. 10

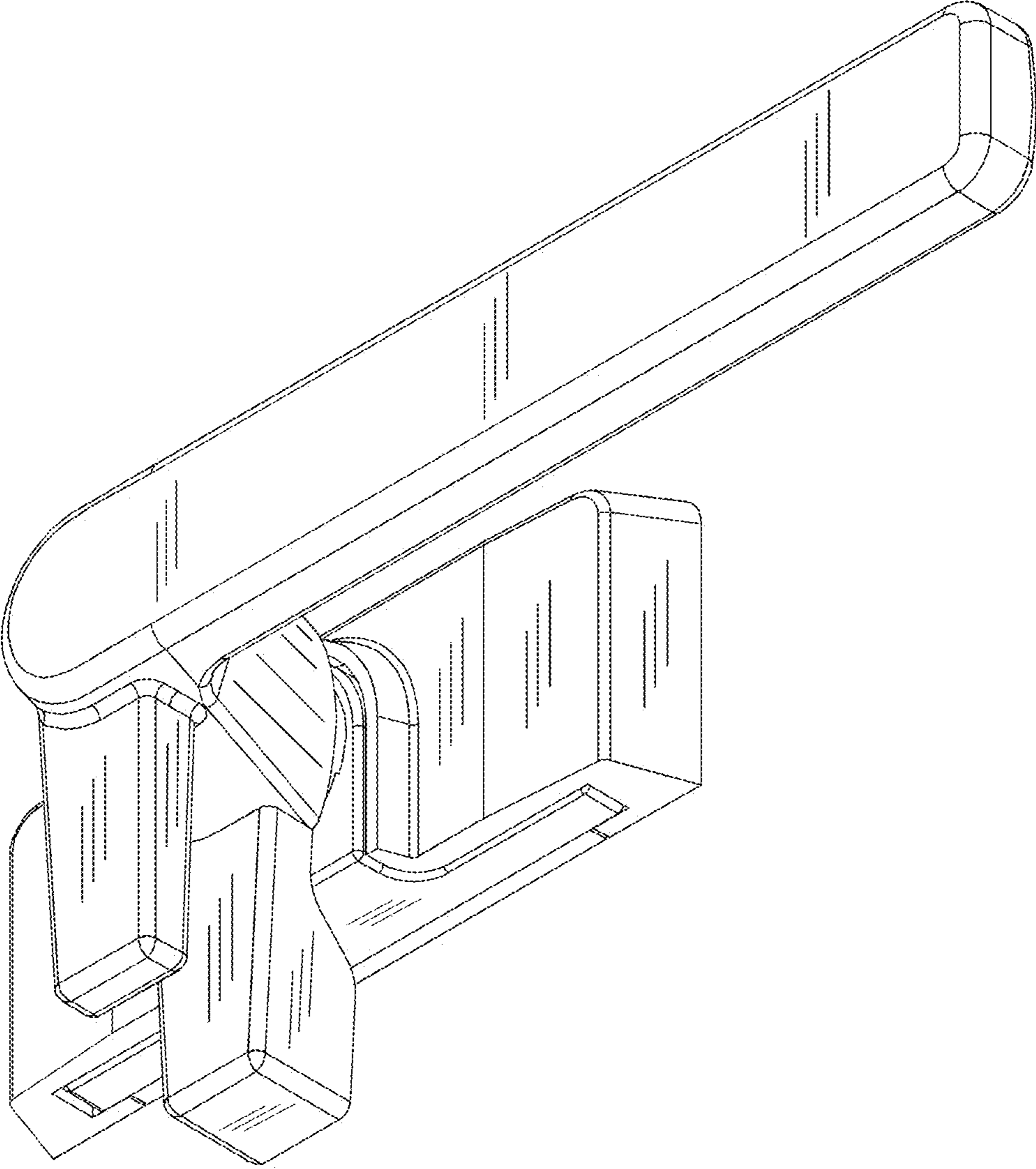


FIG.11

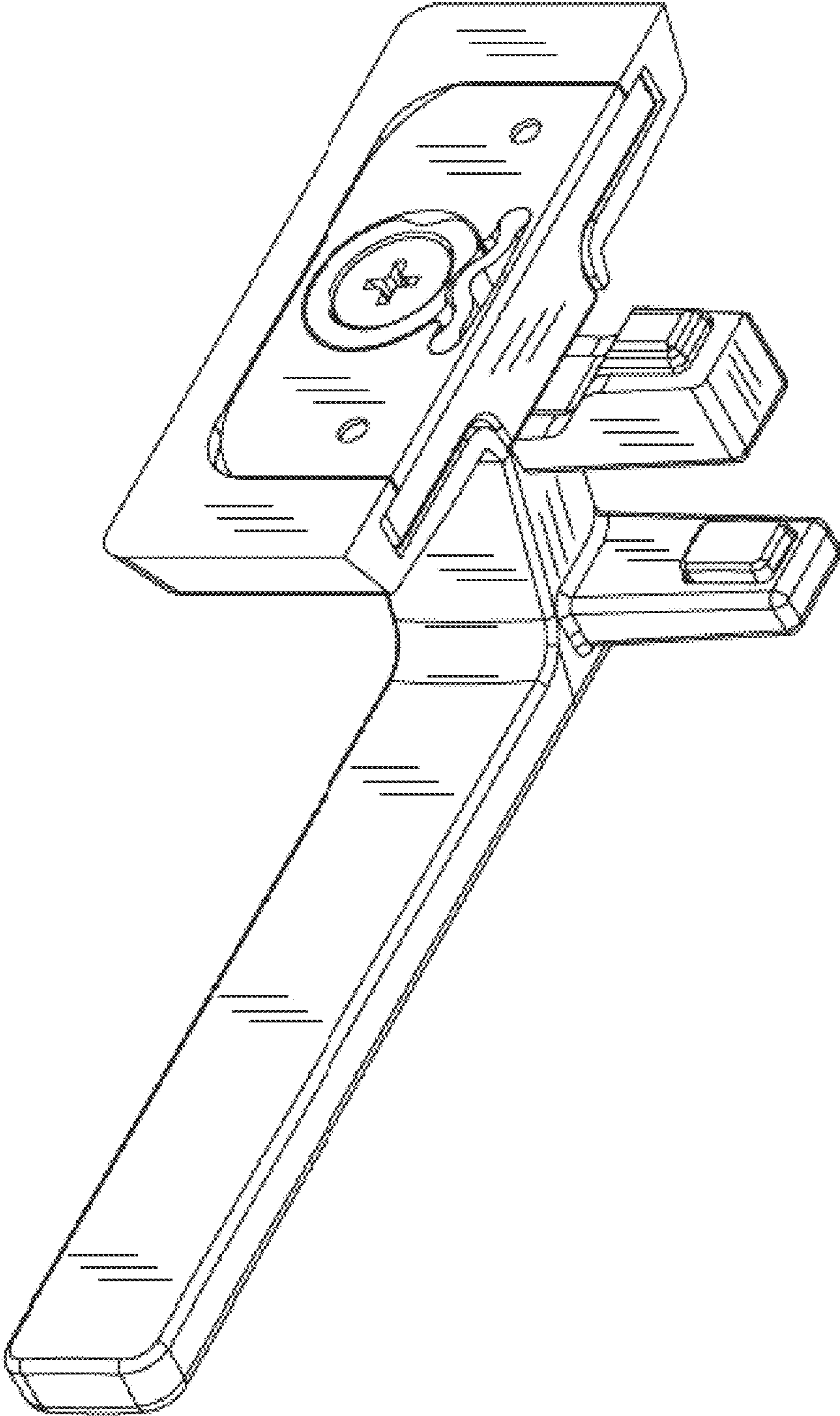


FIG. 12

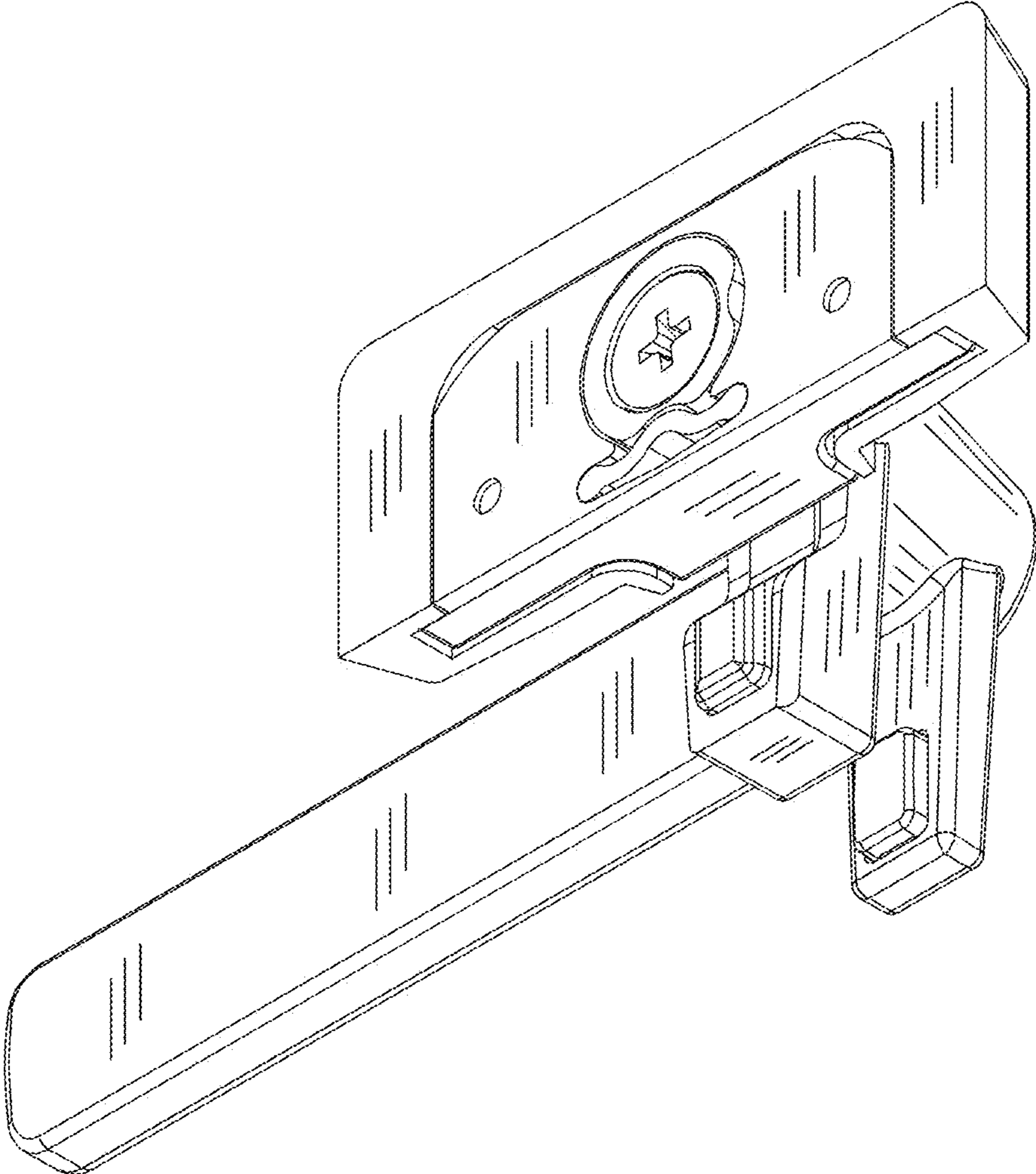


FIG.13