



US00D922854S

(12) **United States Design Patent** (10) **Patent No.:** **US D922,854 S**
Le (45) **Date of Patent:** **** Jun. 22, 2021**

(54) **EXPANSION ADJUSTING DUAL ACTION DOOR LATCH ASSEMBLY**
(71) Applicant: **S.P.E.P. ACQUISITION CORP.**, Long Beach, CA (US)
(72) Inventor: **Tam Le**, Garden Grove, CA (US)
(73) Assignee: **S.P.E.P. ACQUISITION CORP.**, Long Beach, CA (US)

(**) Term: **15 Years**

(21) Appl. No.: **29/716,122**

(22) Filed: **Dec. 6, 2019**

(51) **LOC (13) Cl.** **08-07**

(52) **U.S. Cl.**
USPC **D8/331**

(58) **Field of Classification Search**
USPC D8/331
CPC E05B 65/52; E05B 65/5269; E05B 65/00
See application file for complete search history.

(56) **References Cited**

U.S. PATENT DOCUMENTS

2,350,092	A	5/1944	Bock	
3,869,159	A	3/1975	Eads	
4,638,649	A *	1/1987	Chao E05B 65/5269 292/207
4,986,583	A	1/1991	Campbell et al.	
6,174,005	B1	1/2001	Norton	
6,196,599	B1	3/2001	D'Hooge	
6,293,598	B1	9/2001	Rusiana	
6,322,113	B1	11/2001	Ayers et al.	
6,357,807	B1	3/2002	Fan	
7,258,374	B2	8/2007	Rusiana	
D553,472	S *	10/2007	Misner D8/331
7,497,103	B1 *	3/2009	Misner E05B 63/14 292/129

8,419,081	B2	4/2013	Zhang	
8,424,928	B2	4/2013	Lin	
8,449,003	B2	5/2013	Bunker, II et al.	
9,200,472	B2	12/2015	Lee	
D803,026	S *	11/2017	Herskovitz D8/331
D820,064	S *	6/2018	Thompson D8/331
10,400,472	B2 *	9/2019	Schultz E05B 9/02
10,724,277	B2 *	7/2020	Baker E05B 63/04
2011/0289987	A1	12/2011	Chiou et al.	
2017/0074010	A1	3/2017	Olson	

* cited by examiner

Primary Examiner — Doris Clark

(74) *Attorney, Agent, or Firm* — Karish & Bjorgum, PC

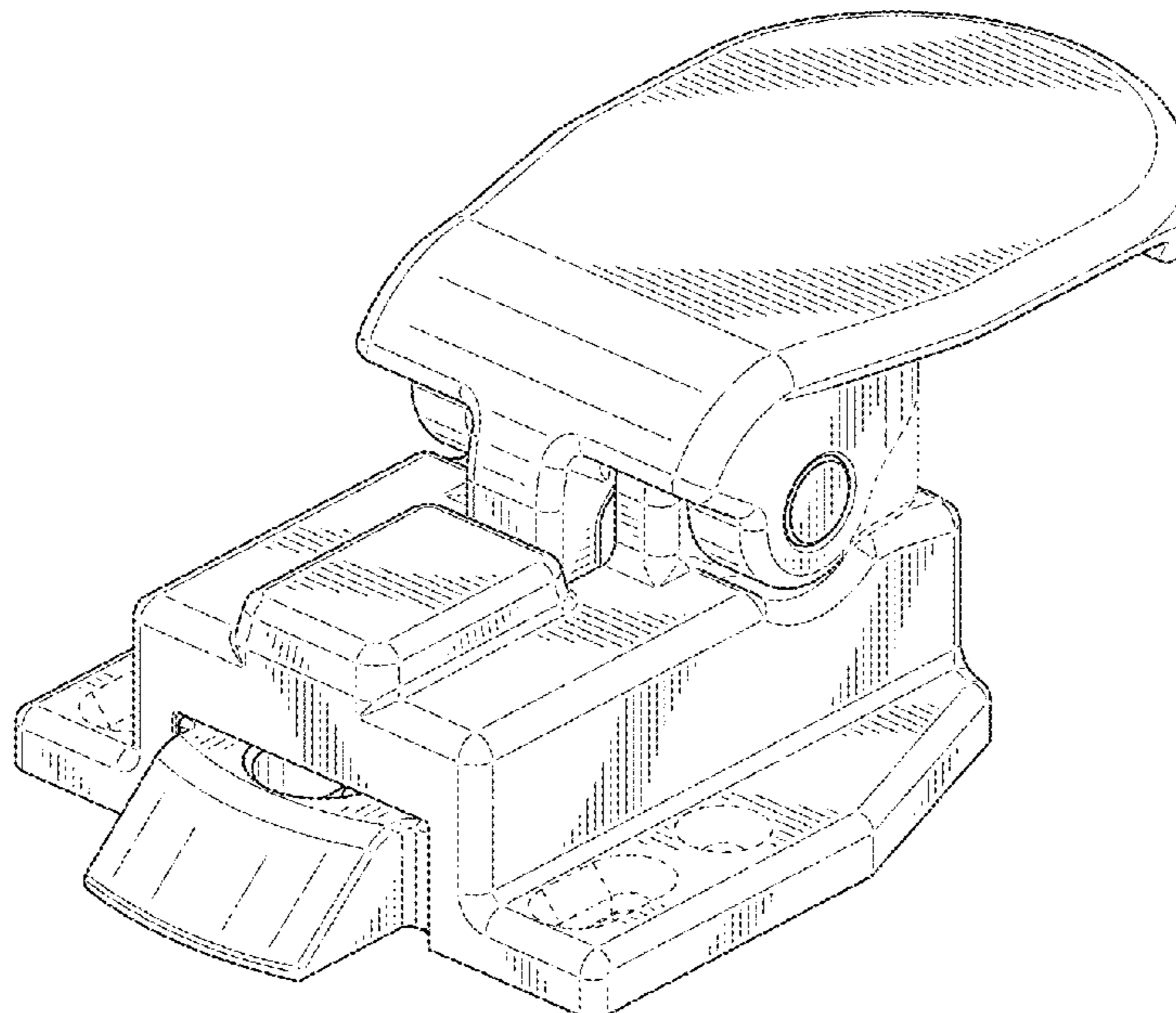
(57) **CLAIM**

The ornamental design for an expansion adjusting dual action door latch assembly, as shown and described.

DESCRIPTION

FIG. 1 is top left perspective view of the expansion adjusting dual action door latch assembly showing my new design. FIG. 2 is a bottom left perspective view of the expansion adjusting dual action door latch assembly of FIG. 1. FIG. 3 is top view of the expansion adjusting dual action door latch assembly of FIG. 1. FIG. 4 is bottom view of the expansion adjusting dual action door latch assembly of FIG. 1. FIG. 5 is left view of the expansion adjusting dual action door latch assembly of FIG. 1. FIG. 6 is a front view of the expansion adjusting dual action door latch assembly of FIG. 1. FIG. 7 is a right side view of the expansion adjusting dual action door latch assembly of FIG. 1; and, FIG. 8 is a rear view of the expansion adjusting dual action door latch assembly of FIG. 1. The features shown in dashed lines form no part of the design and are not claimed.

1 Claim, 4 Drawing Sheets



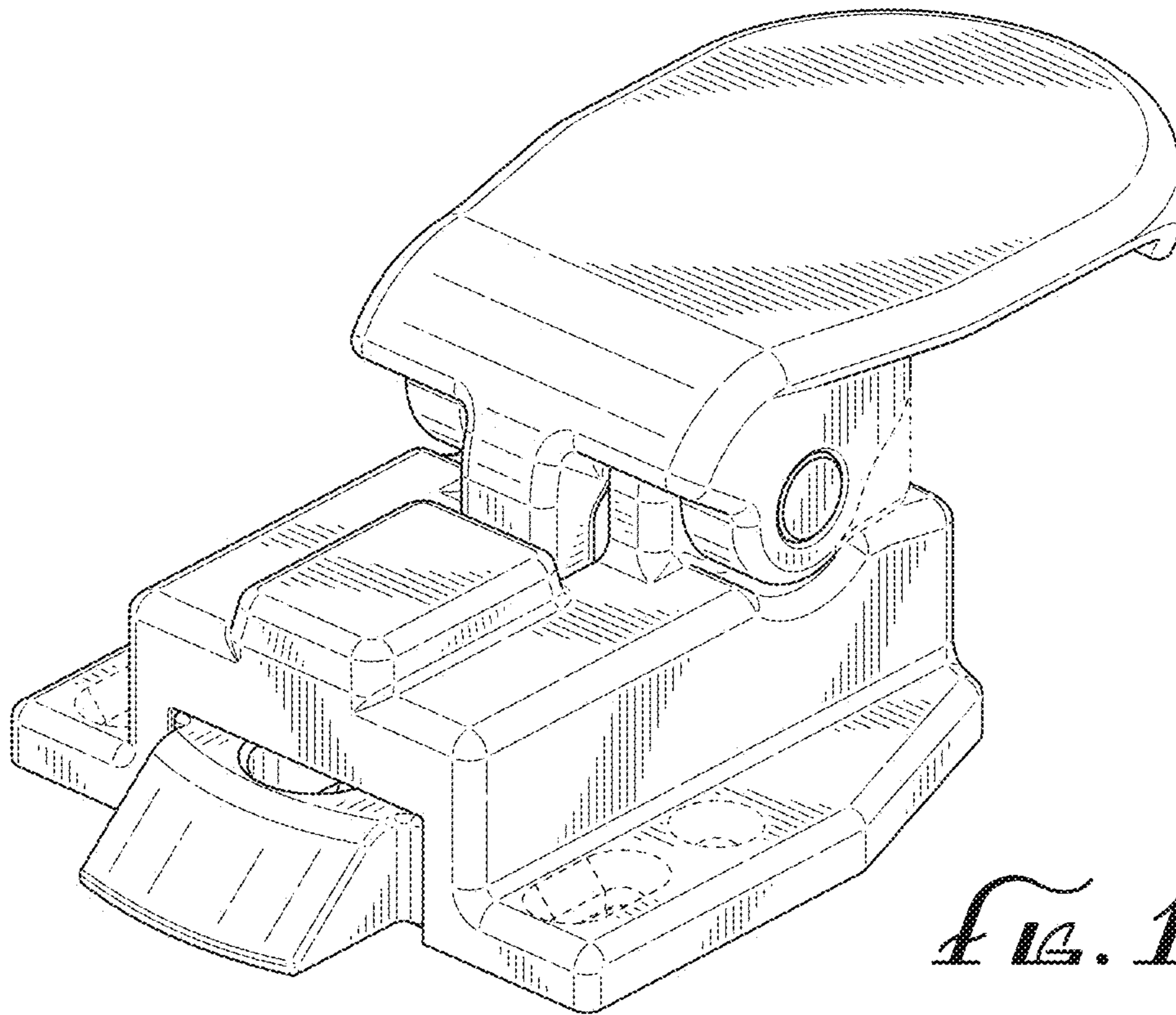


FIG. 1

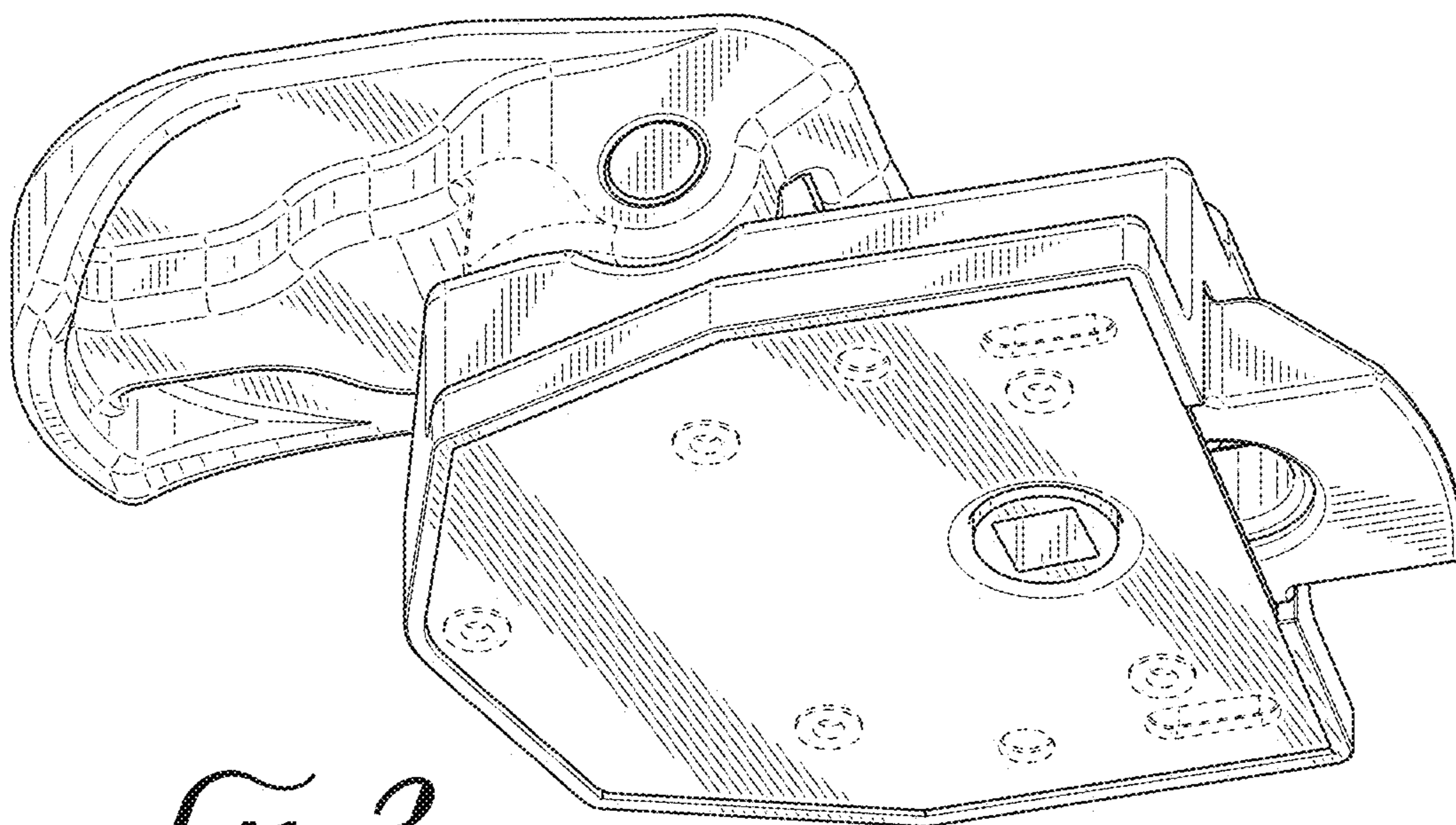


FIG. 2

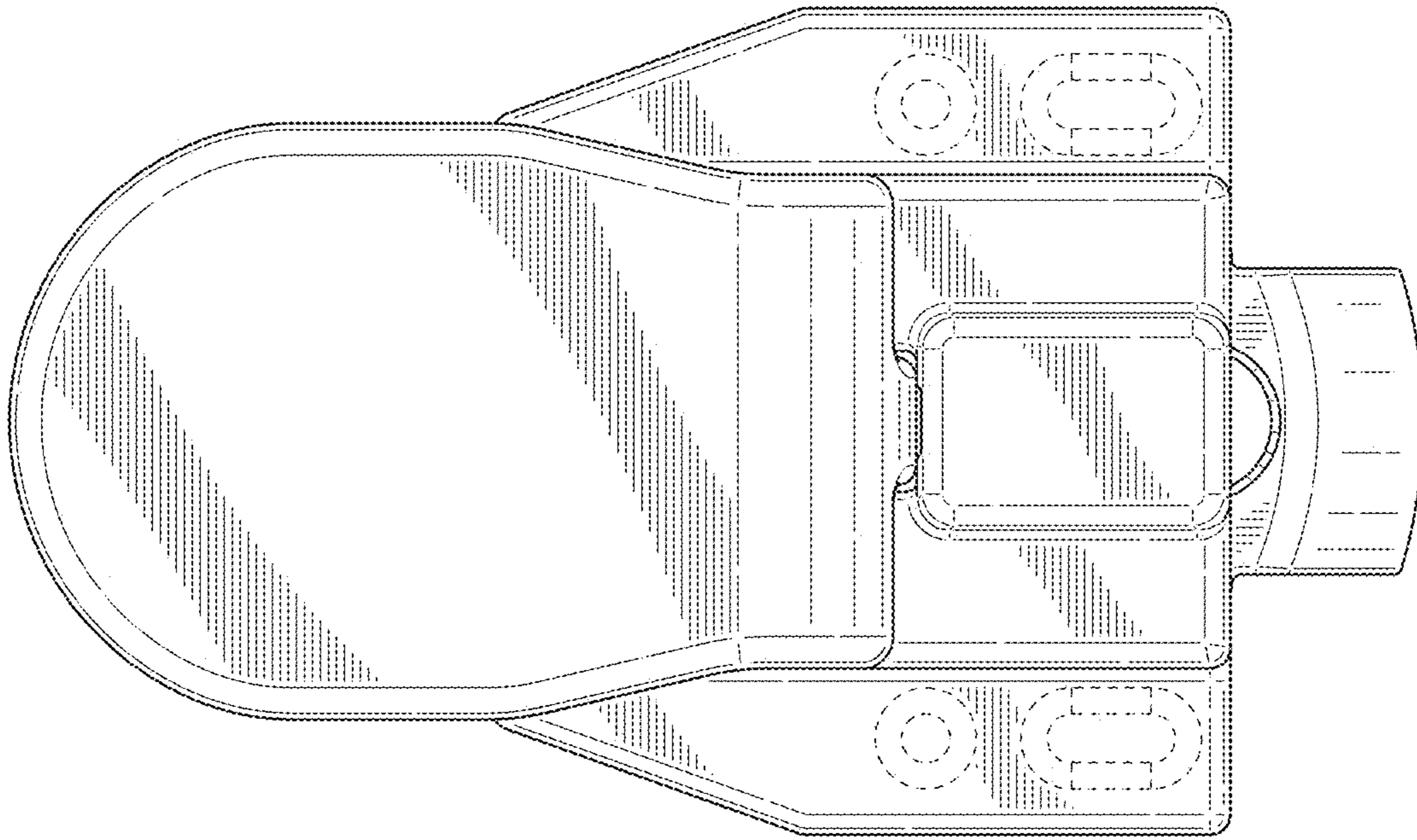


FIG. 3

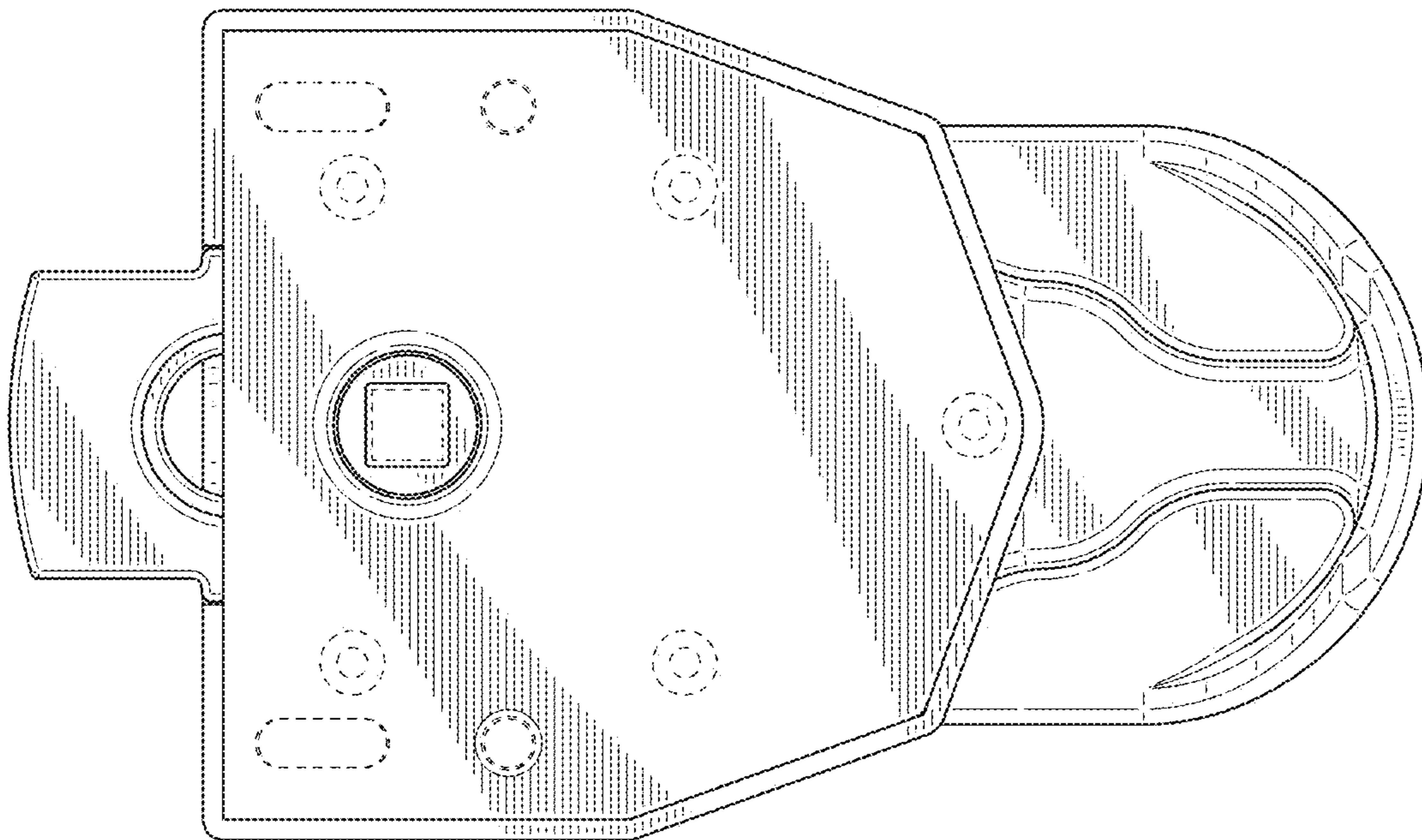


FIG. 4

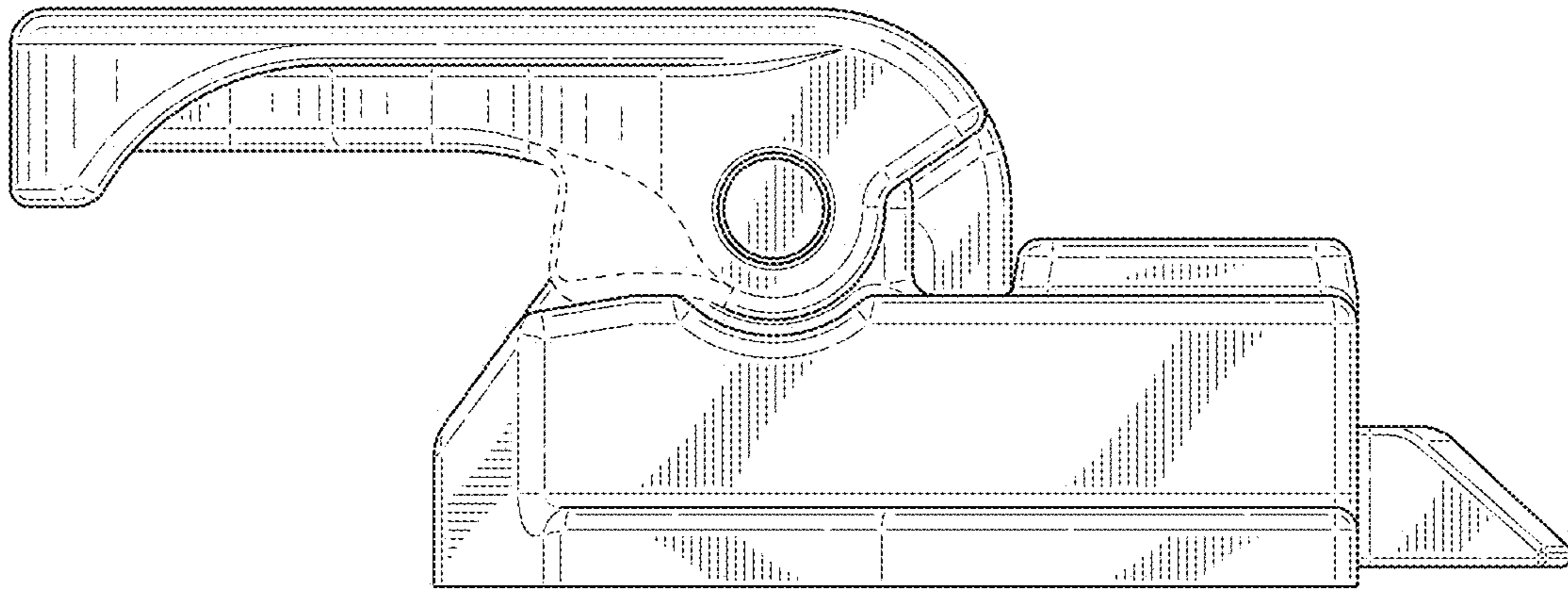


FIG. 5

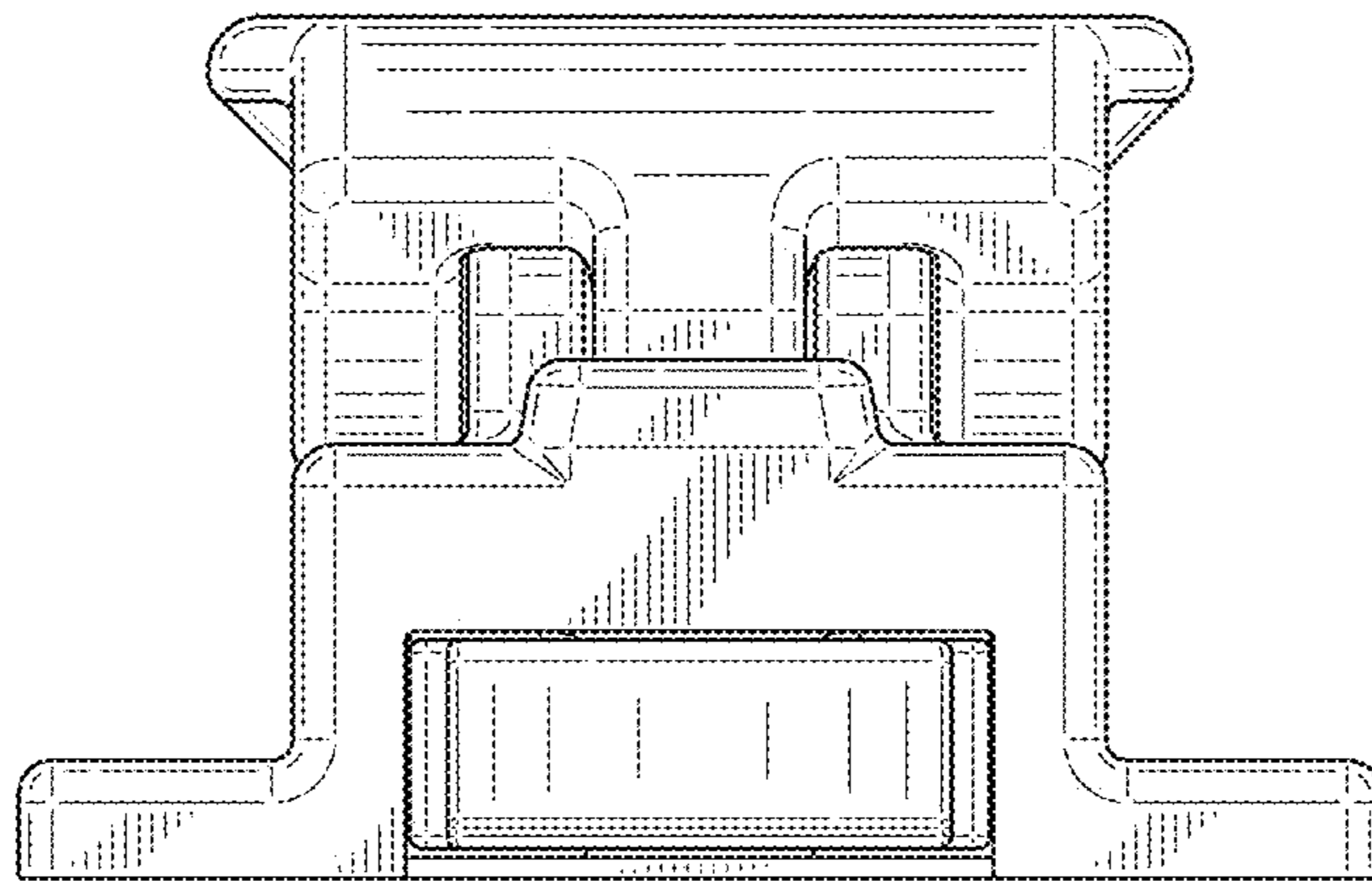


FIG. 6

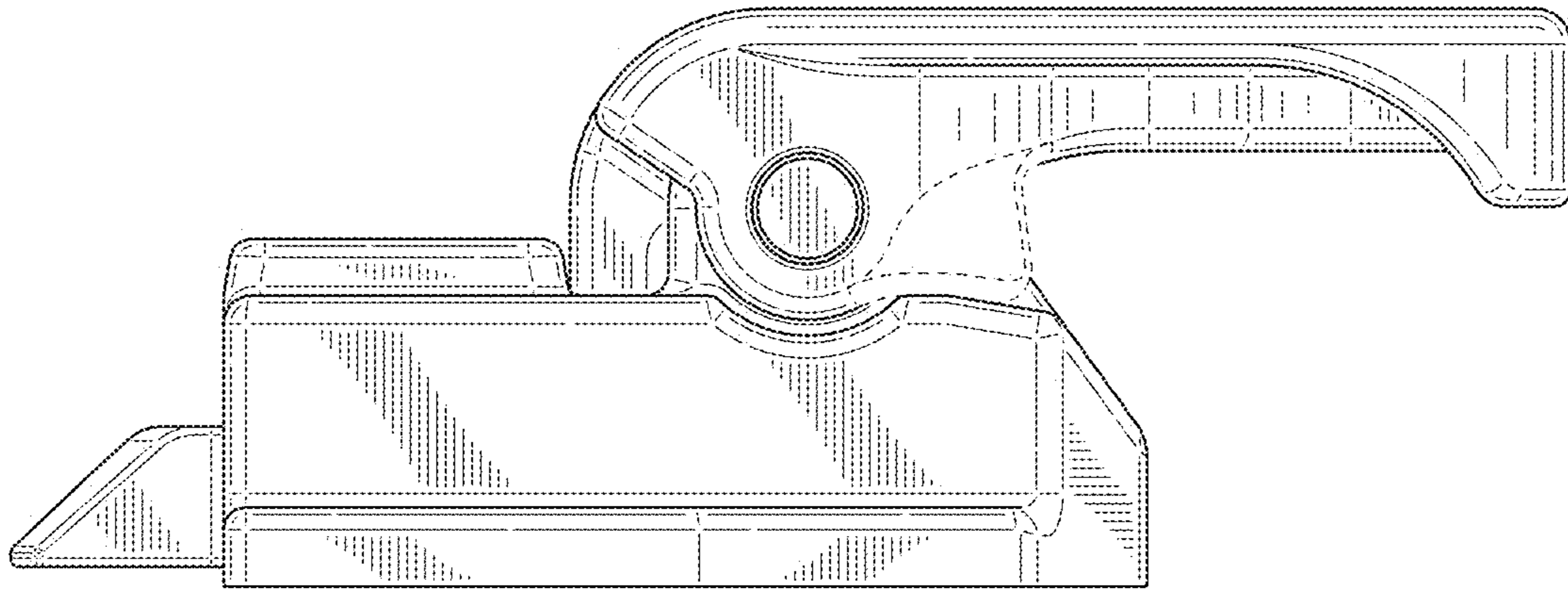


FIG. 7

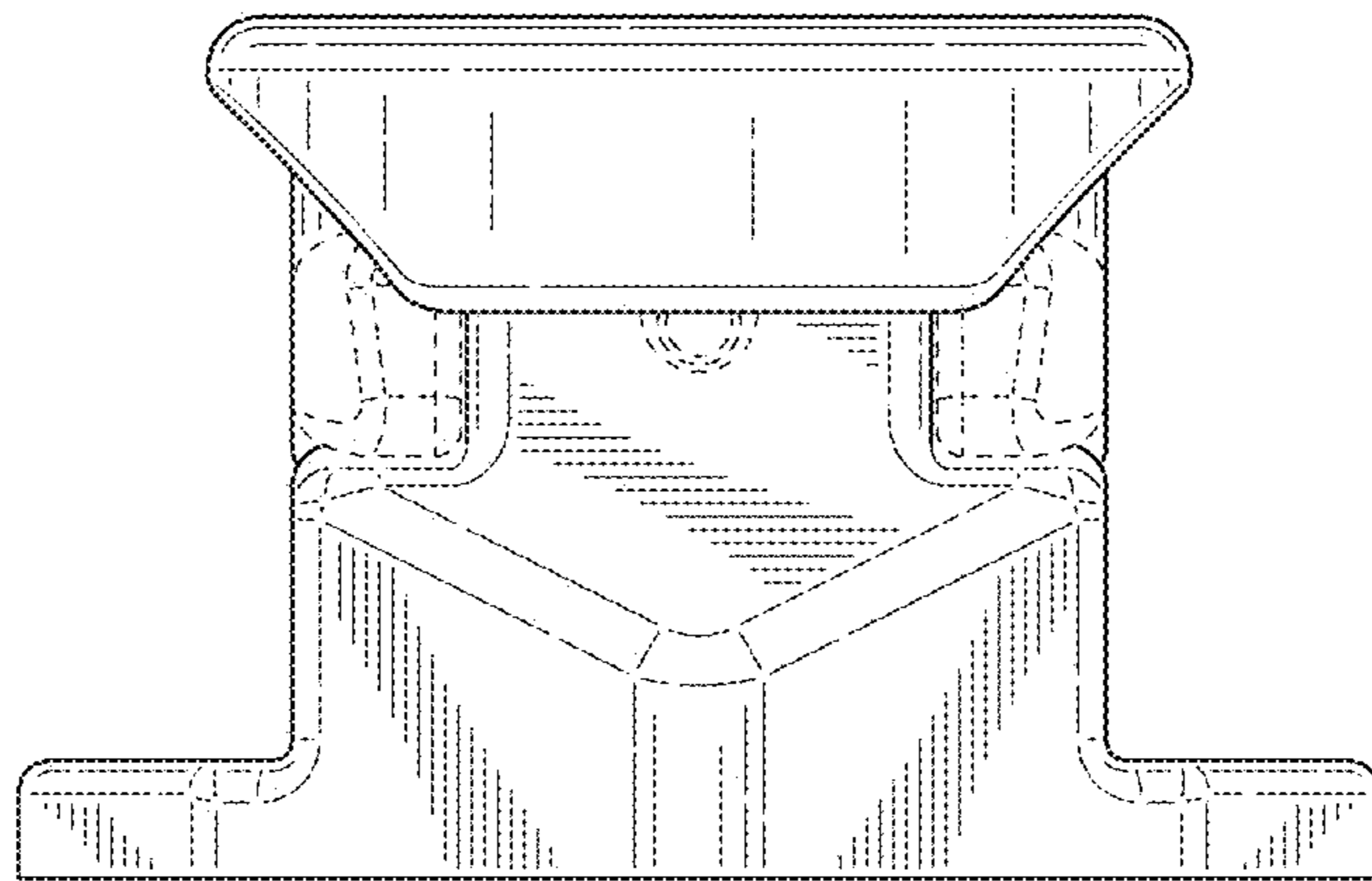


FIG. 8