



US00D922853S

(12) **United States Design Patent**
Han

(10) **Patent No.:** **US D922,853 S**

(45) **Date of Patent:** **** Jun. 22, 2021**

(54) **ELECTRONIC LOCK**

(71) Applicant: **NINGBO WANGTONG LOCKS CO., LTD**, Cixi (CN)

(72) Inventor: **Wentong Han**, Cixi (CN)

(73) Assignee: **NINGBO WANGTONG LOCKS CO., LTD**, Cixi (CN)

(**) Term: **15 Years**

(21) Appl. No.: **29/709,257**

(22) Filed: **Oct. 12, 2019**

(51) **LOC (13) Cl.** **08-07**

(52) **U.S. Cl.**
USPC **D8/331**

(58) **Field of Classification Search**
USPC D8/331
CPC E05B 49/006; E05B 47/0001; E05B 47/0009; E05B 47/0011
See application file for complete search history.

(56) **References Cited**

U.S. PATENT DOCUMENTS

D618,081 S * 6/2010 Moyer D8/331
8,931,315 B2 * 1/2015 Frolov E05B 47/0692
70/279.1

D789,771 S * 6/2017 Tung D8/331
D802,396 S * 11/2017 Hsu D8/330
10,240,365 B2 * 3/2019 Almomani E05B 47/0001
D888,536 S * 6/2020 Boomer D8/331
D902,003 S * 11/2020 Gokcebay D8/330

* cited by examiner

Primary Examiner — Doris Clark

(74) *Attorney, Agent, or Firm* — Bayramoglu Law Offices LLC

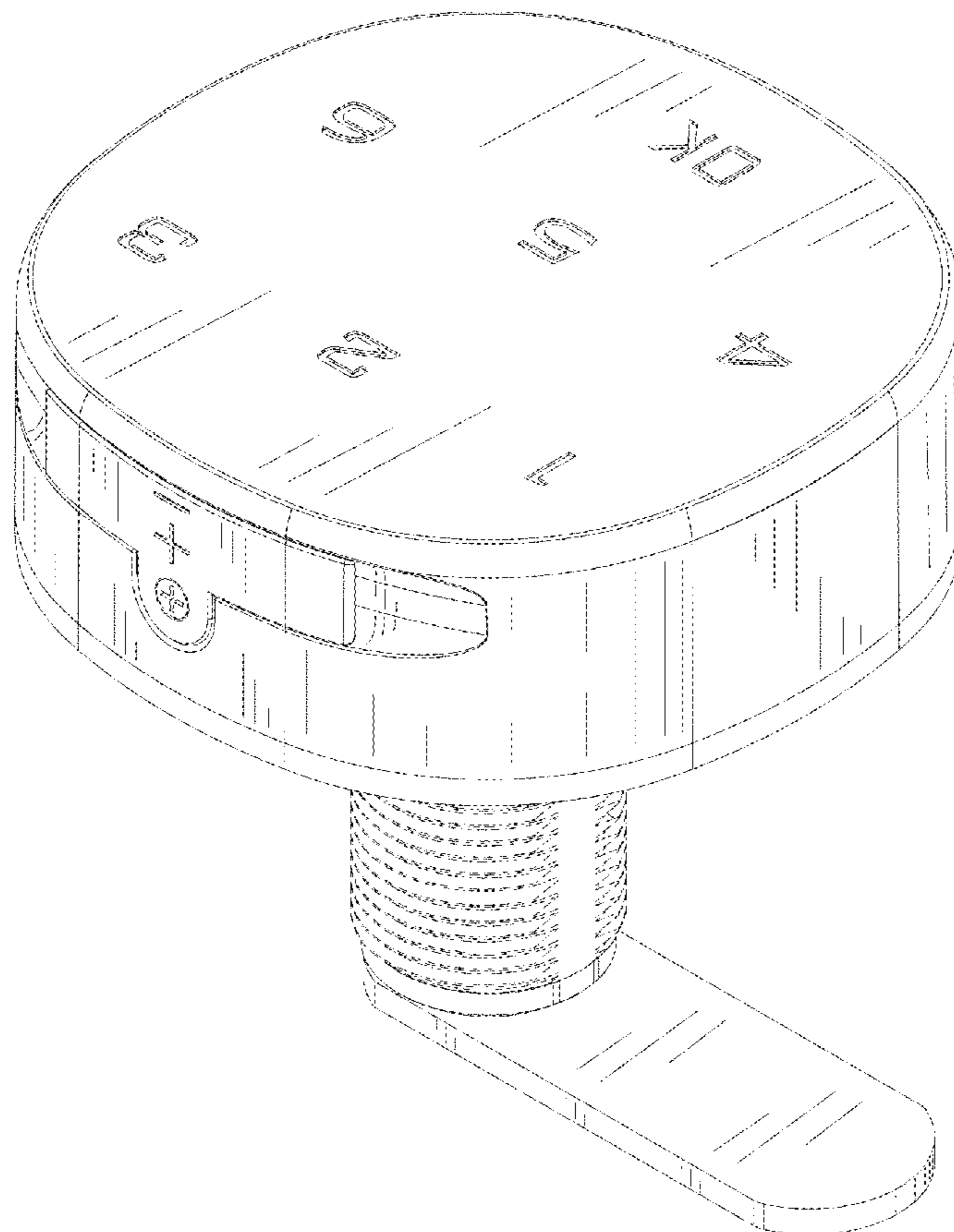
(57) **CLAIM**

The ornamental design for electronic lock, as shown and described.

DESCRIPTION

FIG. 1 is a front, top and right perspective view of electronic lock showing the new design;
FIG. 2 is a front view thereof;
FIG. 3 is a rear view thereof;
FIG. 4 is a left view thereof;
FIG. 5 is a right view thereof;
FIG. 6 is a top view thereof;
FIG. 7 is a bottom view thereof; and,
FIG. 8 is a rear, bottom, left perspective view.
The broken lines depict portions of a screw thread and screws in which the design is embodied that form no part of the claimed design.

1 Claim, 8 Drawing Sheets



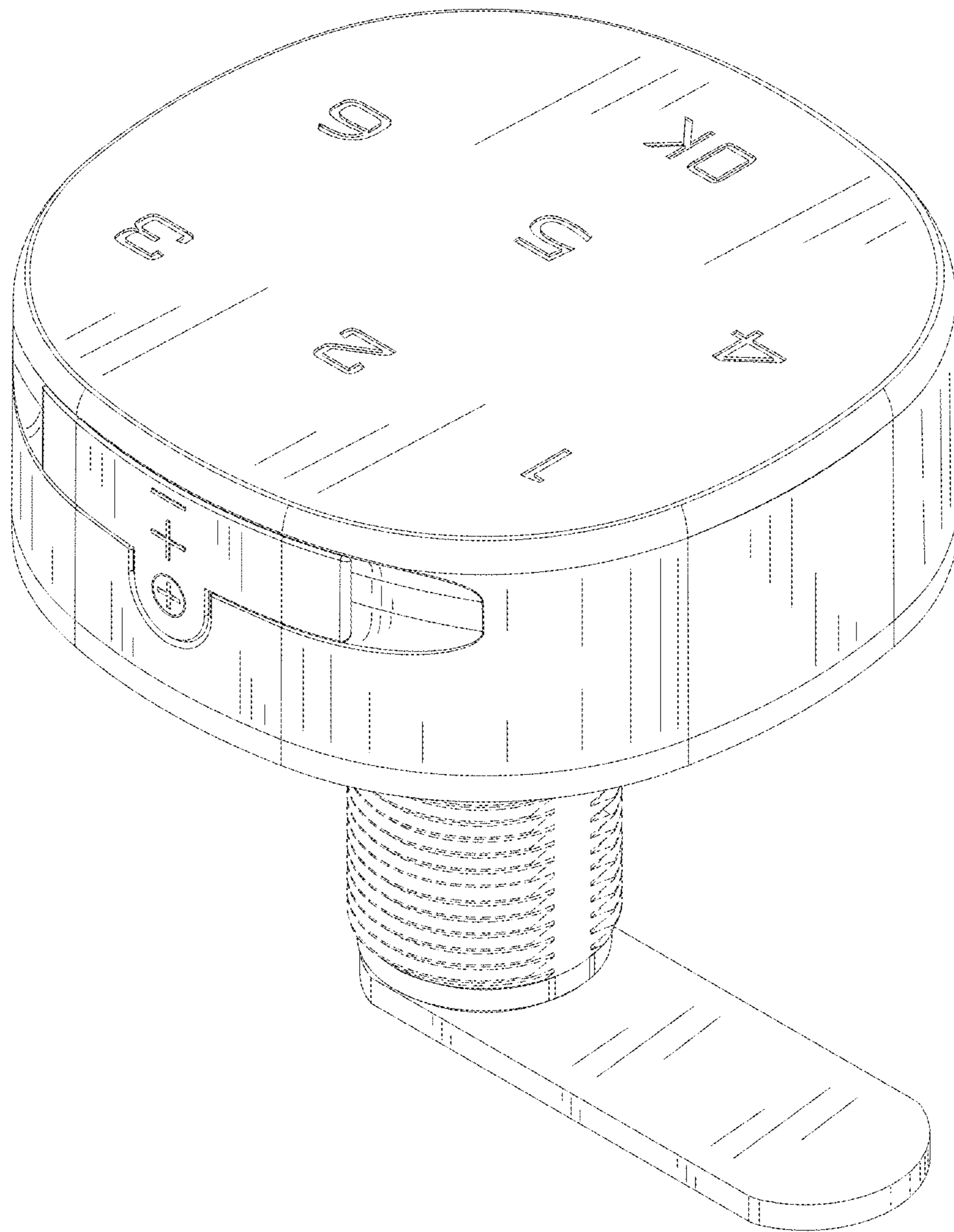


FIG. 1

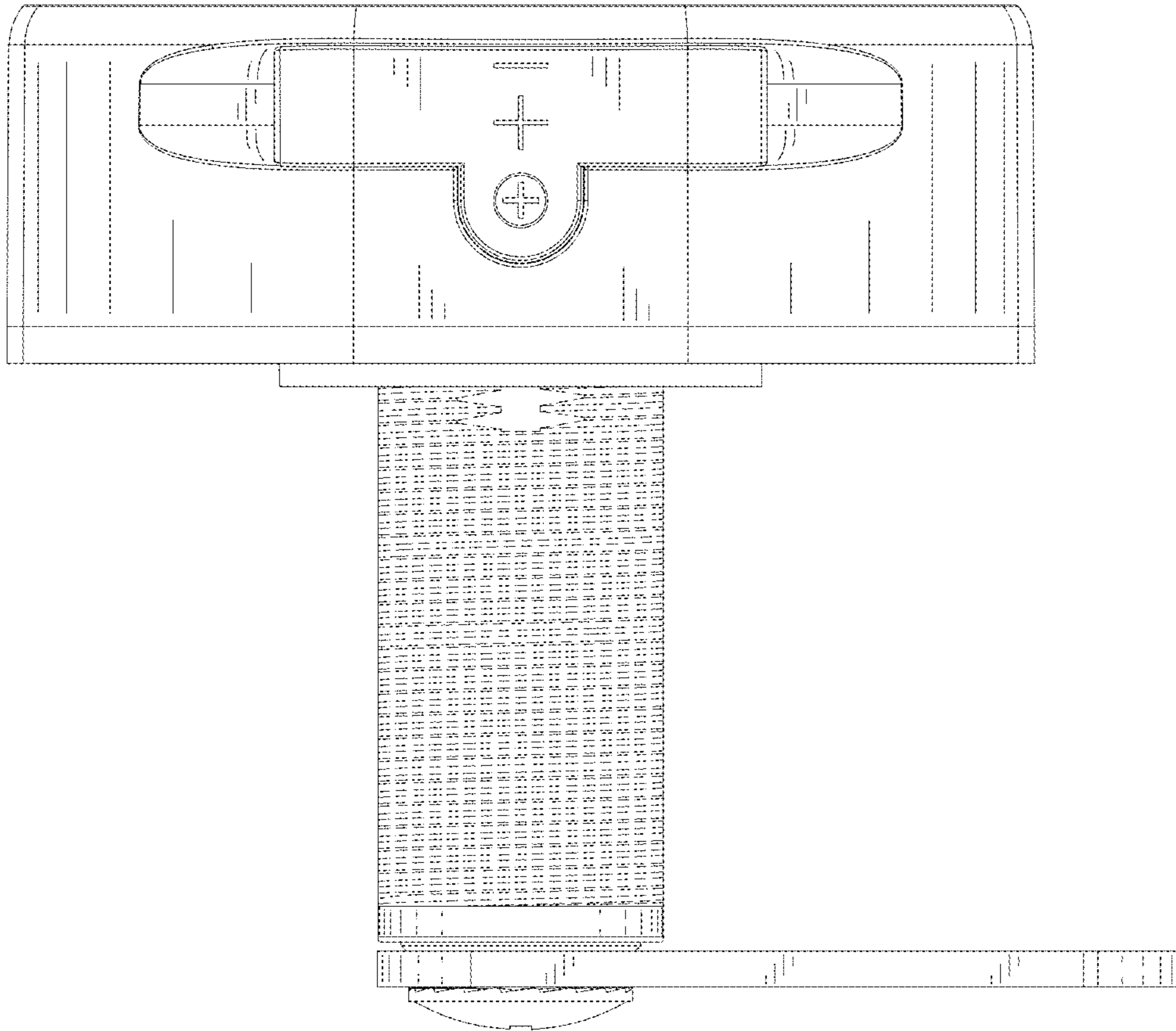


FIG. 2

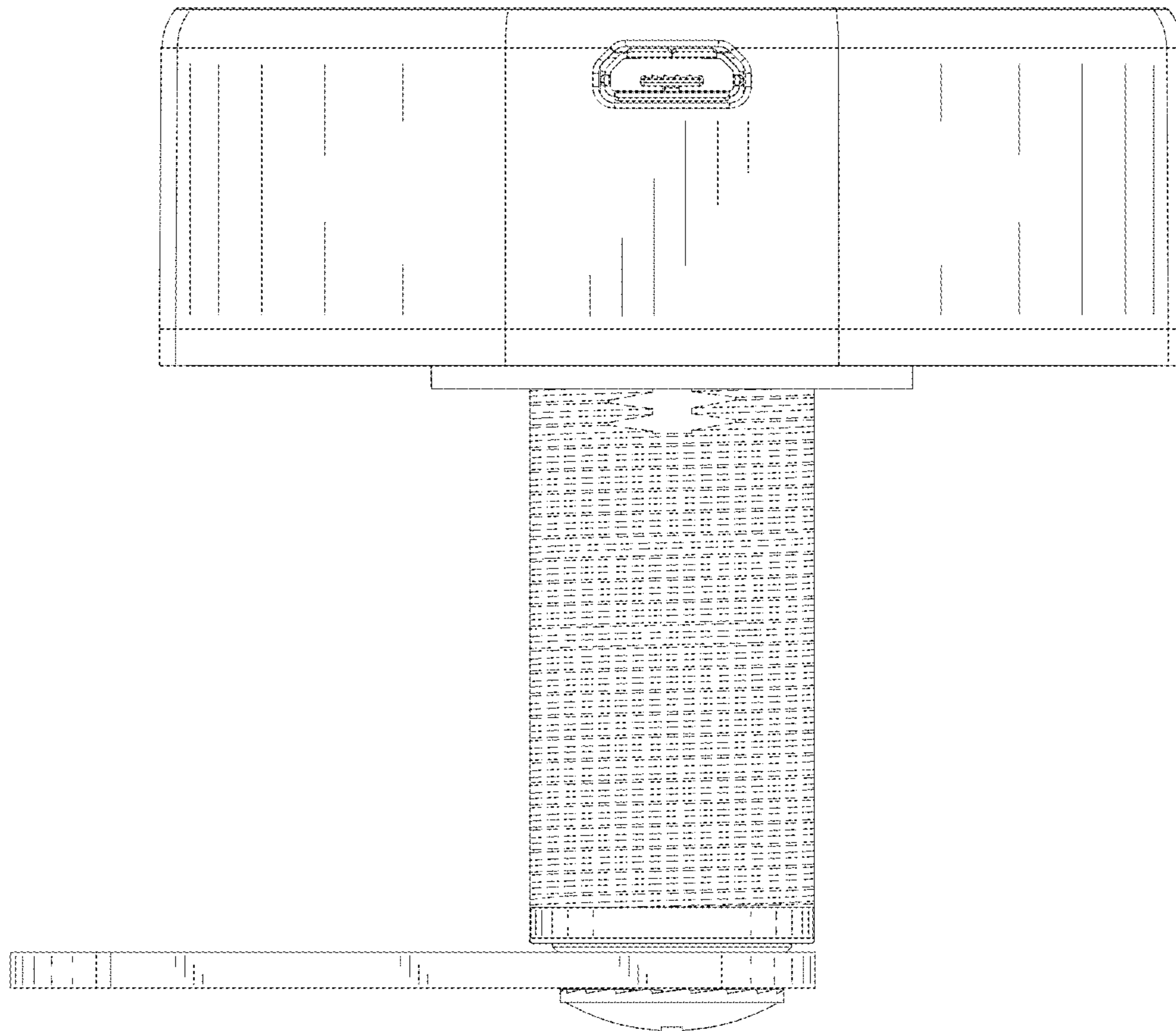


FIG. 3

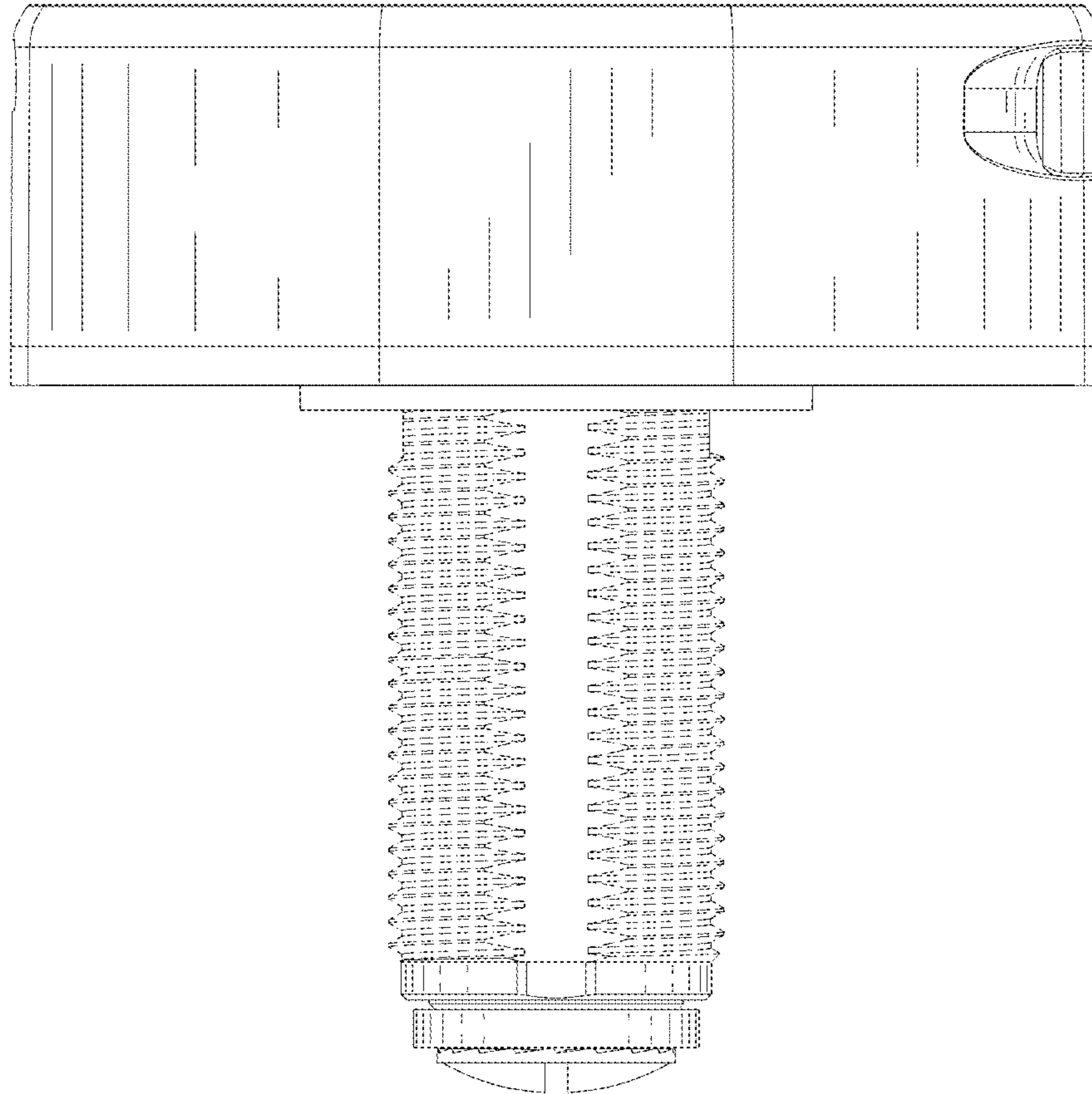


FIG. 4

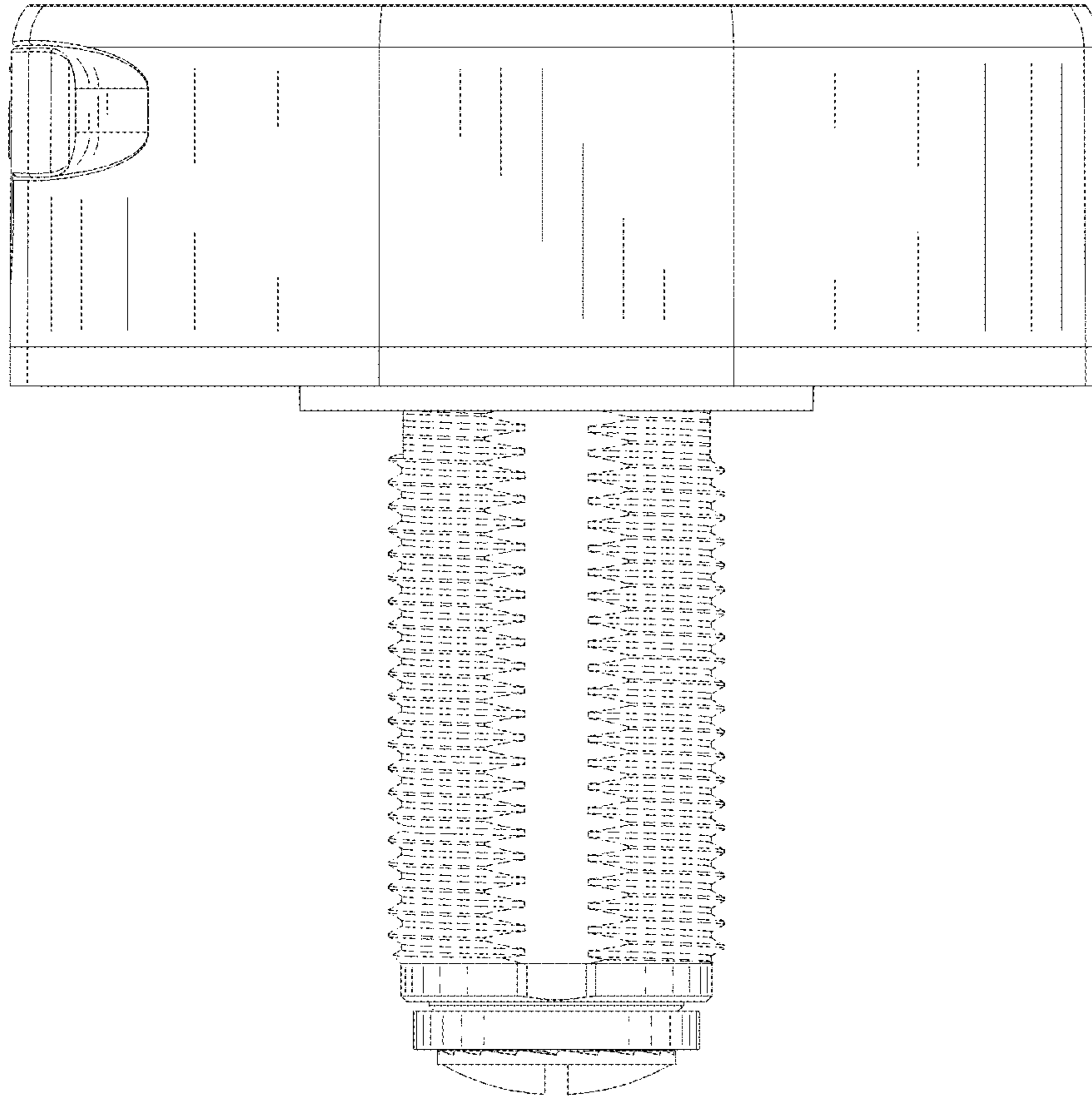


FIG. 5

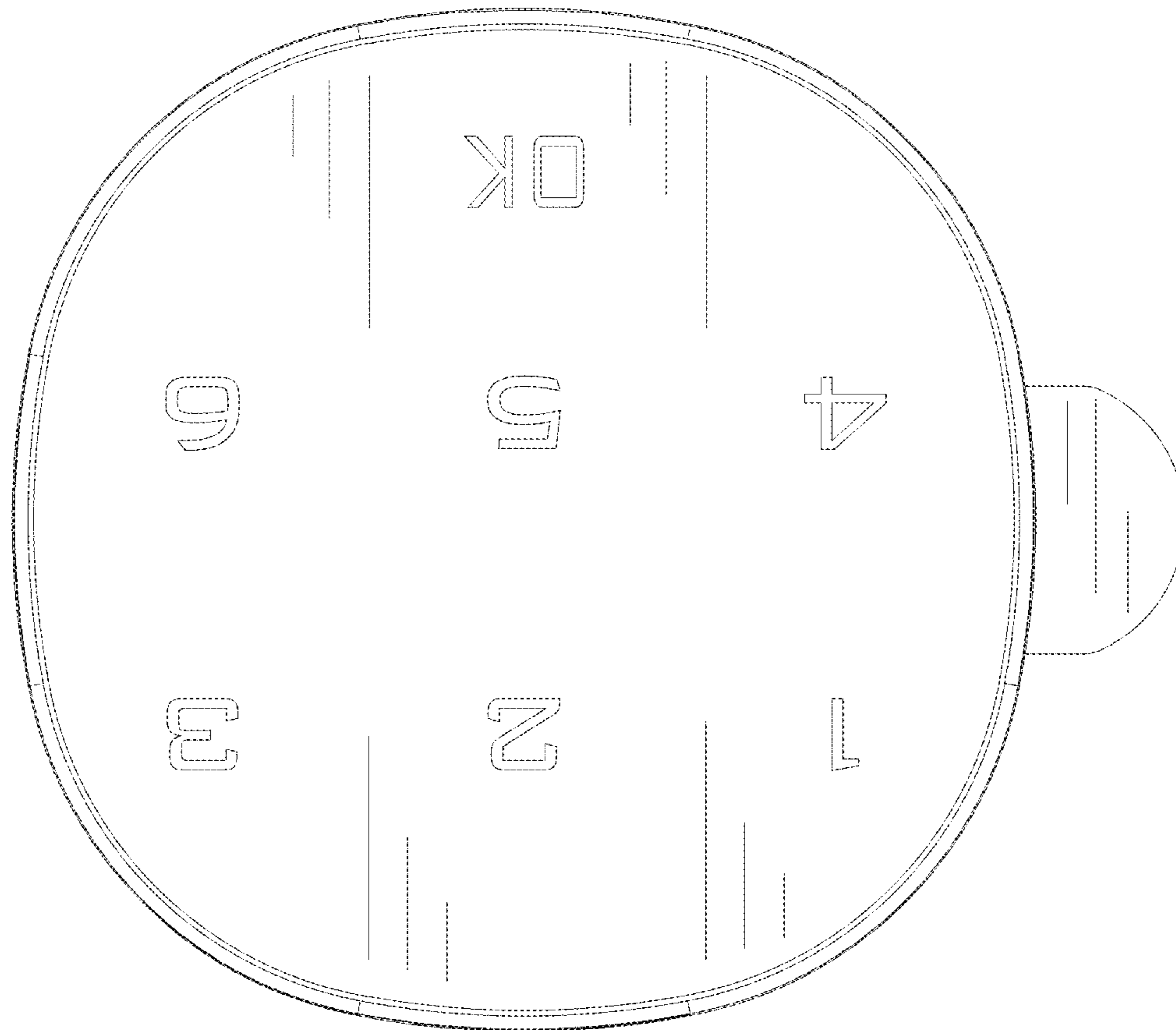


FIG. 6

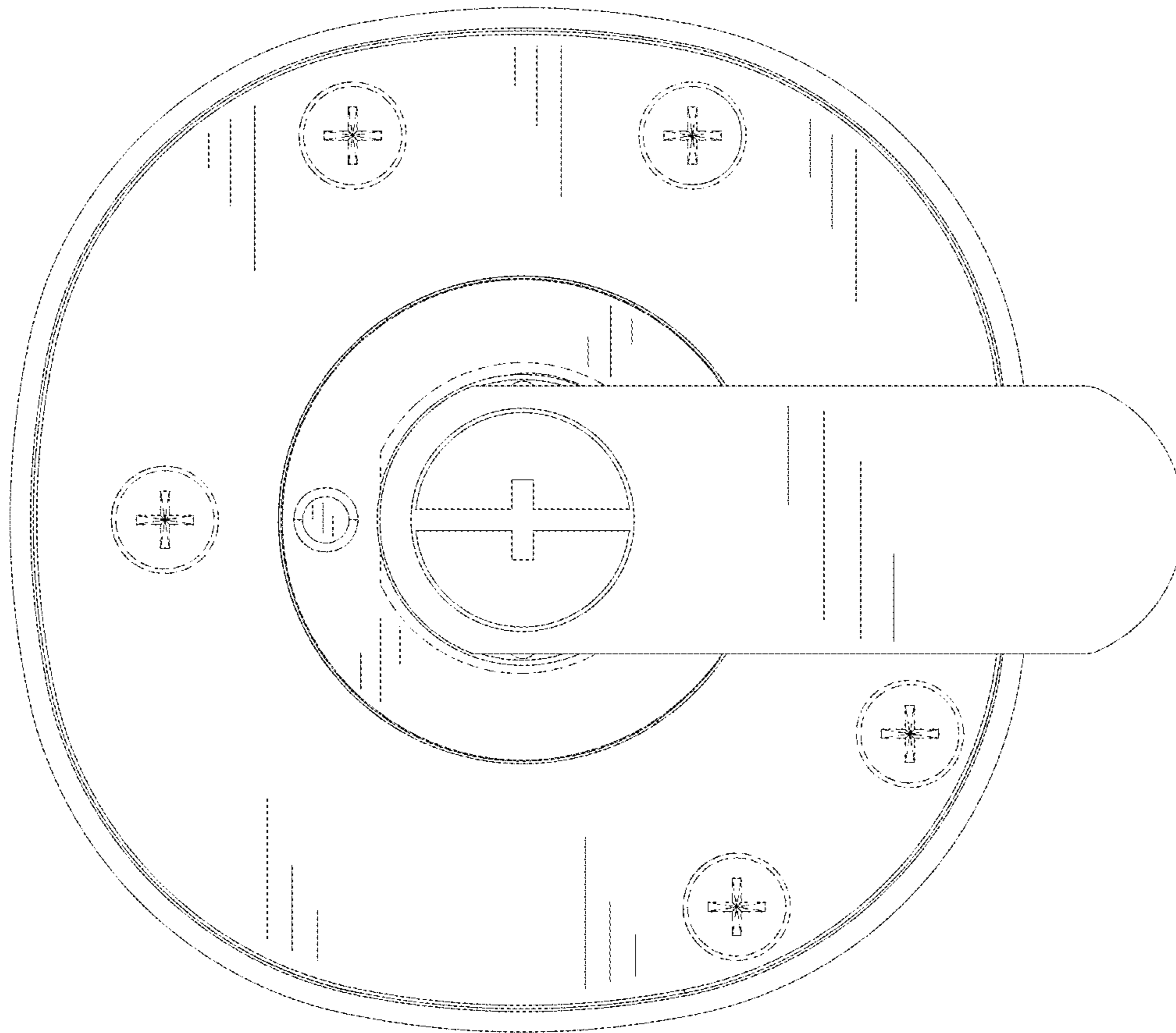


FIG. 7

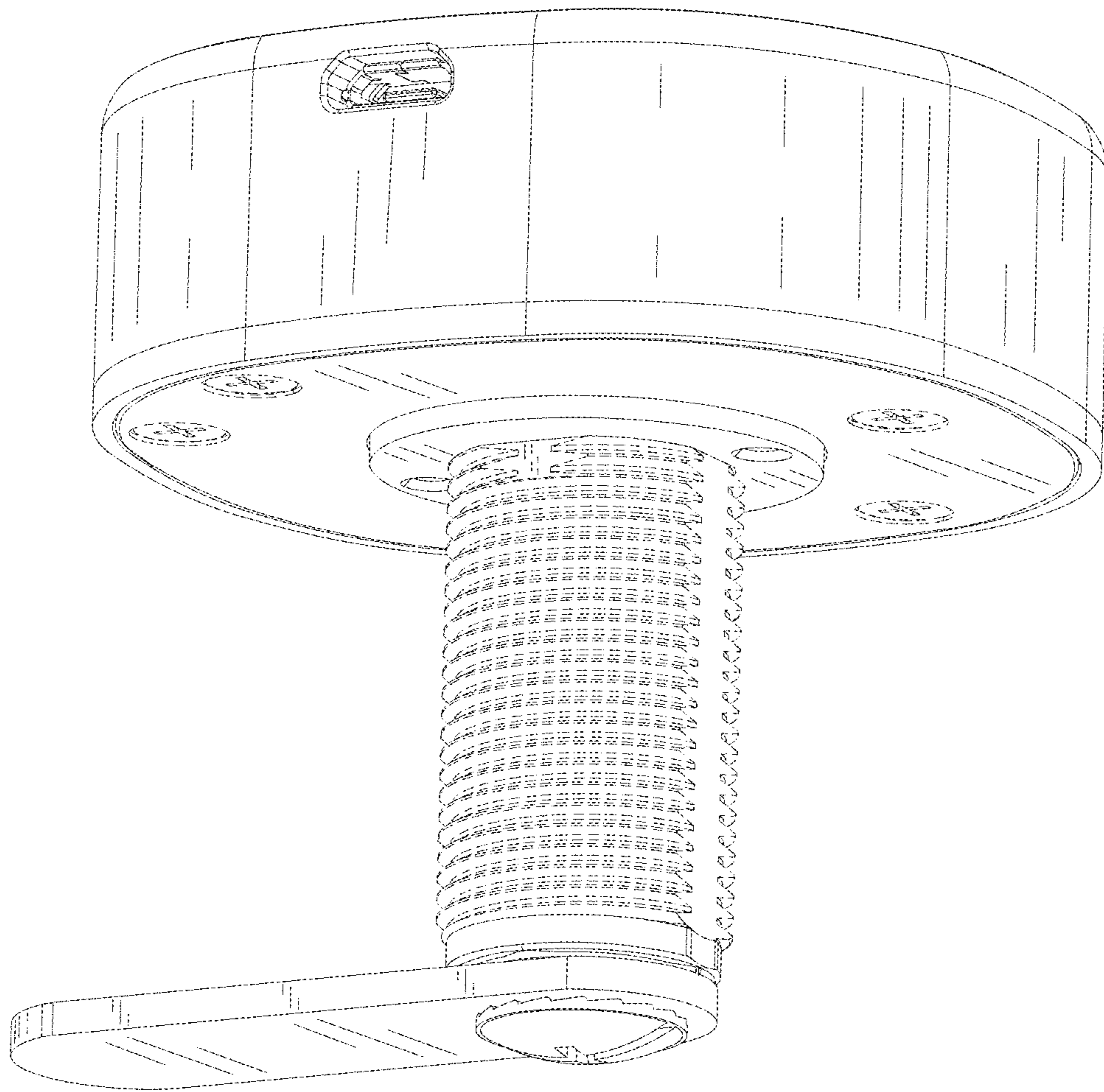


FIG. 8