



US00D922851S

(12) **United States Design Patent** (10) **Patent No.:** **US D922,851 S**
Boomer et al. (45) **Date of Patent:** **** Jun. 22, 2021**

(54) **DOOR LEVER**

(71) Applicant: **Schlage Lock Company LLC**, Carmel, IN (US)

(72) Inventors: **Zachary P. Boomer**, Carmel, IN (US);
Autumn A. Groleski, Noblesville, IN (US)

(73) Assignee: **Schlage Lock Company LLC**, Carmel, IN (US)

(**) Term: **15 Years**

(21) Appl. No.: **29/729,560**

(22) Filed: **Mar. 27, 2020**

(51) **LOC (13) Cl.** **08-06**

(52) **U.S. Cl.**
USPC **D8/308**

(58) **Field of Classification Search**

USPC D8/300–302, 307–309; D23/250, 252
CPC Y10T 16/44; Y10T 74/20612; Y10T 74/20732; Y10T 16/458; Y10T 16/498; Y10T 16/469; Y10T 16/476; Y10T 74/20744; Y10T 74/20864; Y10T 16/4628; Y10T 74/20642; Y10T 16/473; Y10T 74/20762; Y10T 74/2042; Y10T 74/20828; Y10T 16/459; Y10T 16/4713; Y10T 74/2014; Y10T 16/50; Y10T 74/20438; Y10T 74/20582; Y10T 74/20738; Y10T 16/48; Y10T 74/20618; Y10T 74/20684; Y10T 74/20624; Y10T 74/20468; Y10T 16/61; Y10T 16/4719; Y10T 16/86; Y10S 16/30; Y10S 292/31; Y10S 292/53; Y10S 16/12; Y10S 292/23; Y10S 292/27; Y10S 292/30; Y10S 292/63; E05B 85/16; E05B 1/0015; E05B 77/06; E05B 79/06; E05B 85/18; E05B 85/12; E05B 85/10; E05B 7/00; E05B 1/0053; E05B 77/265

See application file for complete search history.

(56) **References Cited**

U.S. PATENT DOCUMENTS

D80,519	S	*	2/1930	Graff	D8/308
D83,158	S	*	1/1931	Graff	D8/308
D89,436	S	*	3/1933	Carlson	D8/308
D306,251	S	*	2/1990	Kuli	D8/302
D312,956	S	*	12/1990	Boeri	D8/308
5,718,468	A	*	2/1998	Qureshi	E05B 63/0056 292/347
D593,840	S	*	6/2009	Roberts, III	D8/308
D713,710	S	*	9/2014	Roberts, III	D8/308
D756,742	S	*	5/2016	Nishida Watson	D8/308
D824,235	S	*	7/2018	Schneider	D8/308
2017/0107739	A1	*	4/2017	Ruff	E05B 1/003

* cited by examiner

Primary Examiner — Lauren R Calve

(74) *Attorney, Agent, or Firm* — Taft Stettinius & Hollister LLP

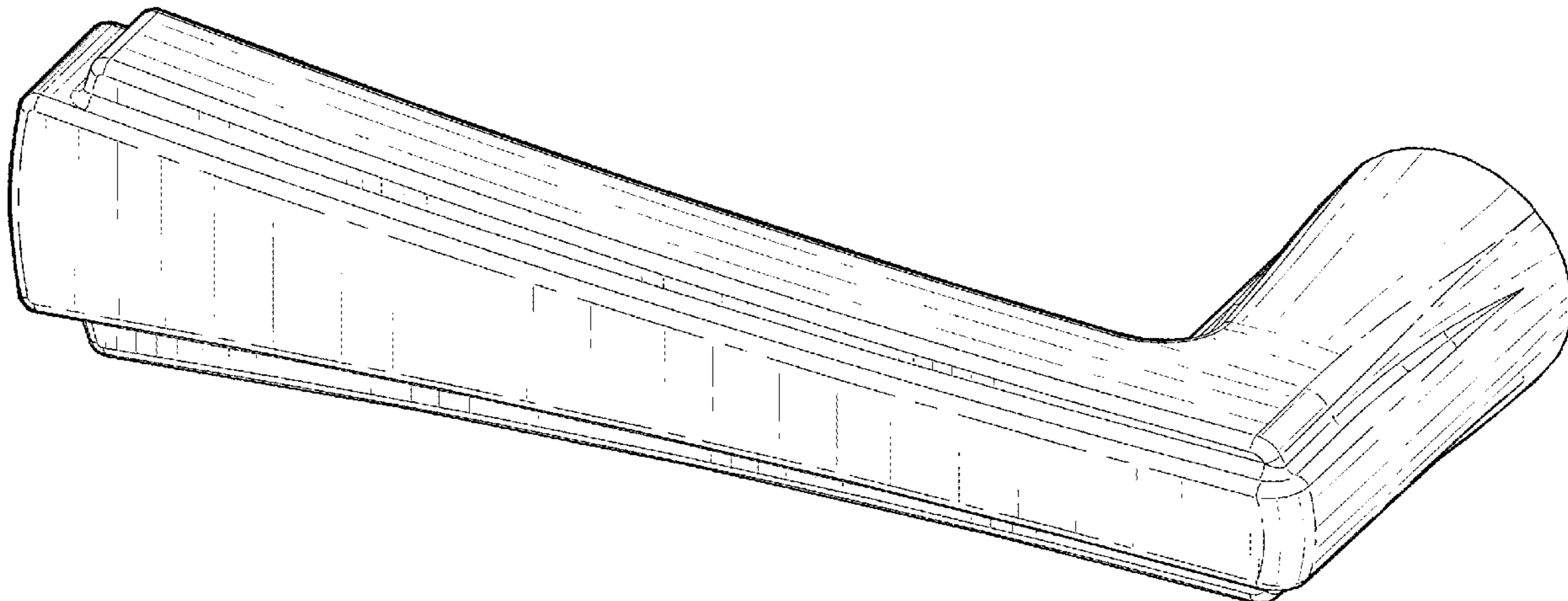
(57) **CLAIM**

The ornamental design for a door lever, as shown and described.

DESCRIPTION

FIG. 1 is a top, front, right side perspective view of a door lever showing our new design;
FIG. 2 is a bottom, rear, left side perspective view thereof;
FIG. 3 is a front elevational view thereof;
FIG. 4 is a top plan view thereof;
FIG. 5 is a right side elevational view thereof;
FIG. 6 is a left side elevational view thereof;
FIG. 7 is a rear elevational view thereof; and,
FIG. 8 is a bottom plan view thereof.
The broken lines in the drawing figures form no part of the claimed design.

1 Claim, 5 Drawing Sheets



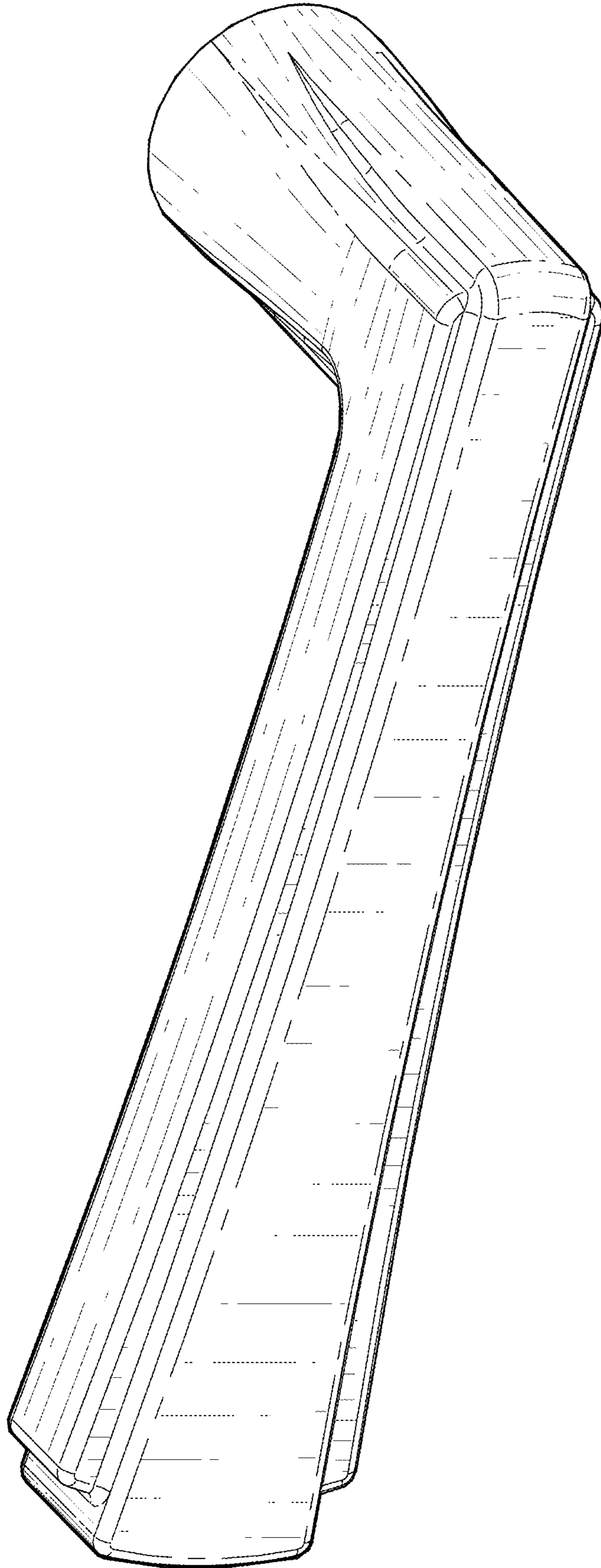


Fig. 1

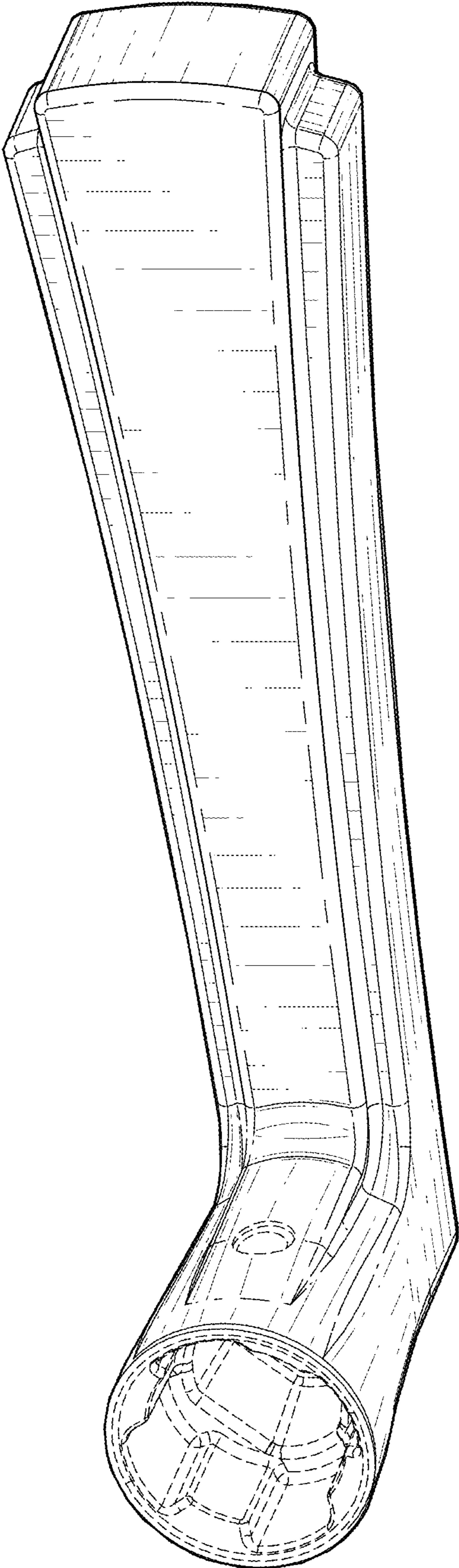


Fig. 2

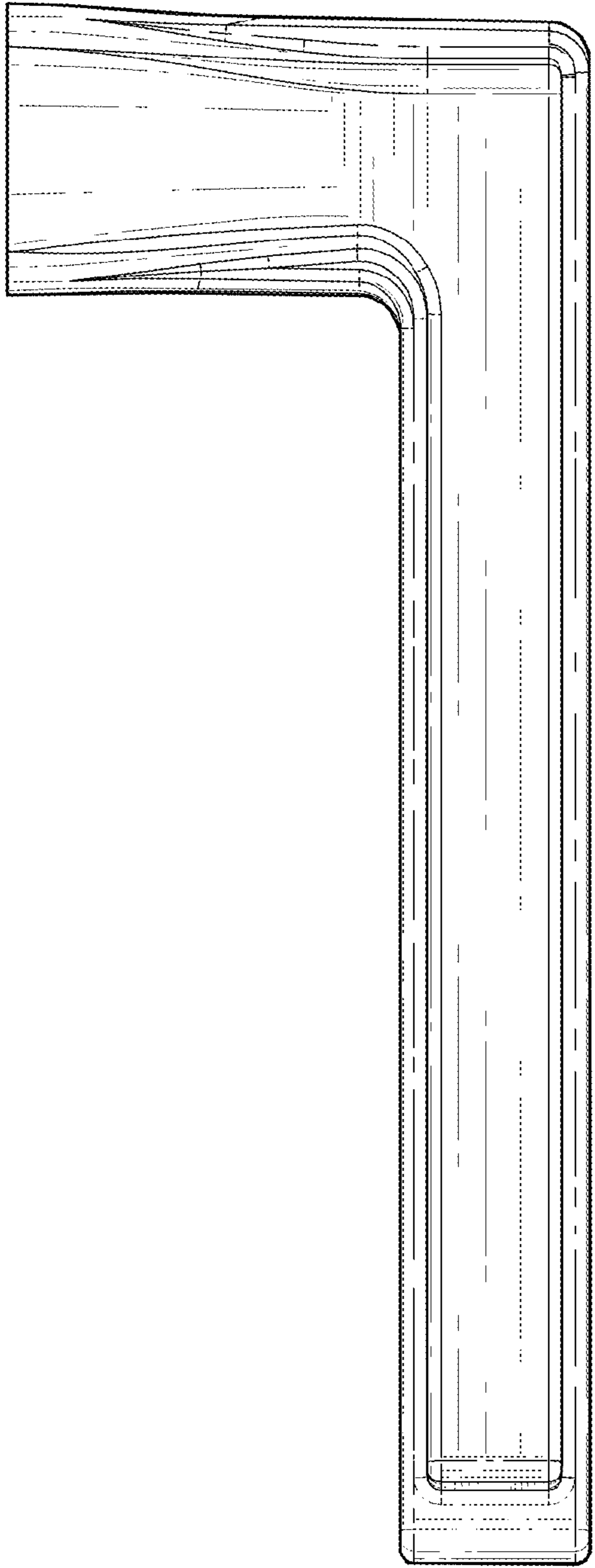


Fig. 4

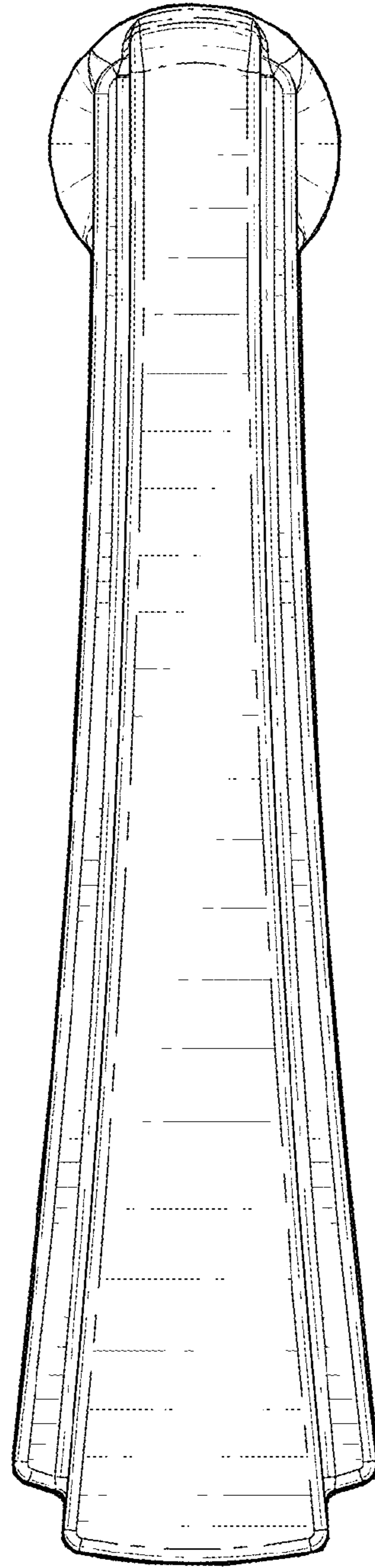


Fig. 3

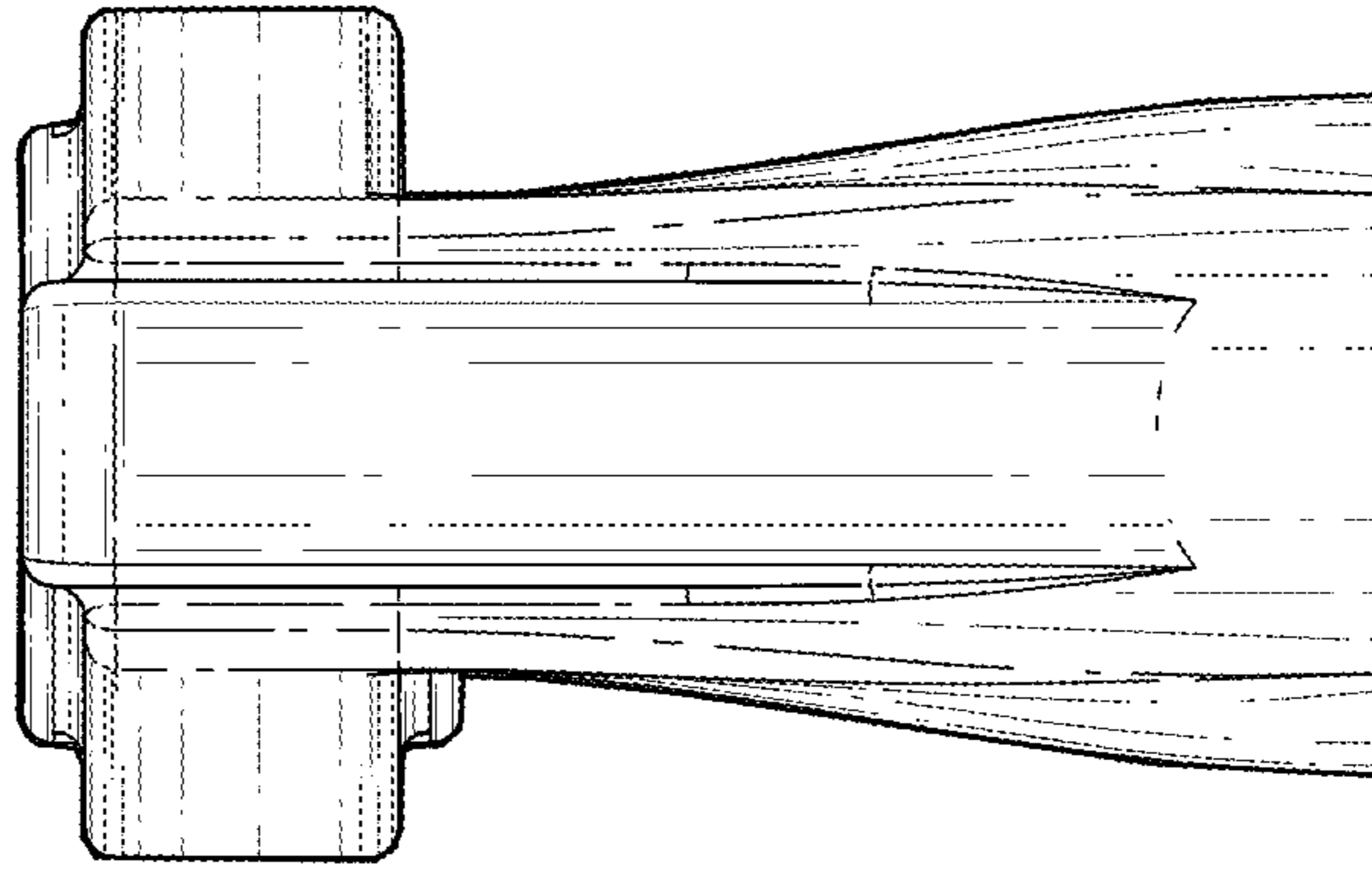


Fig. 5

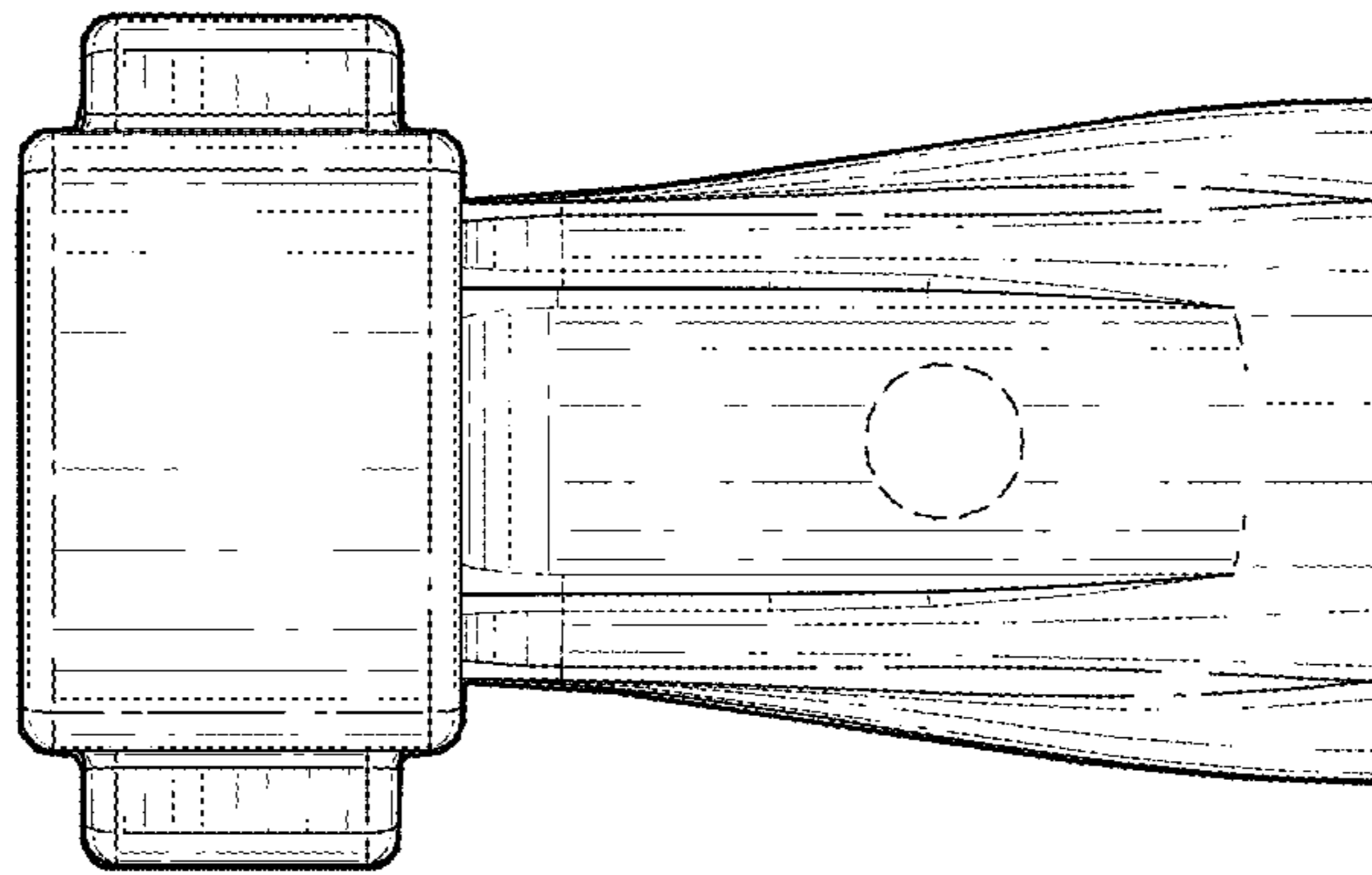


Fig. 6

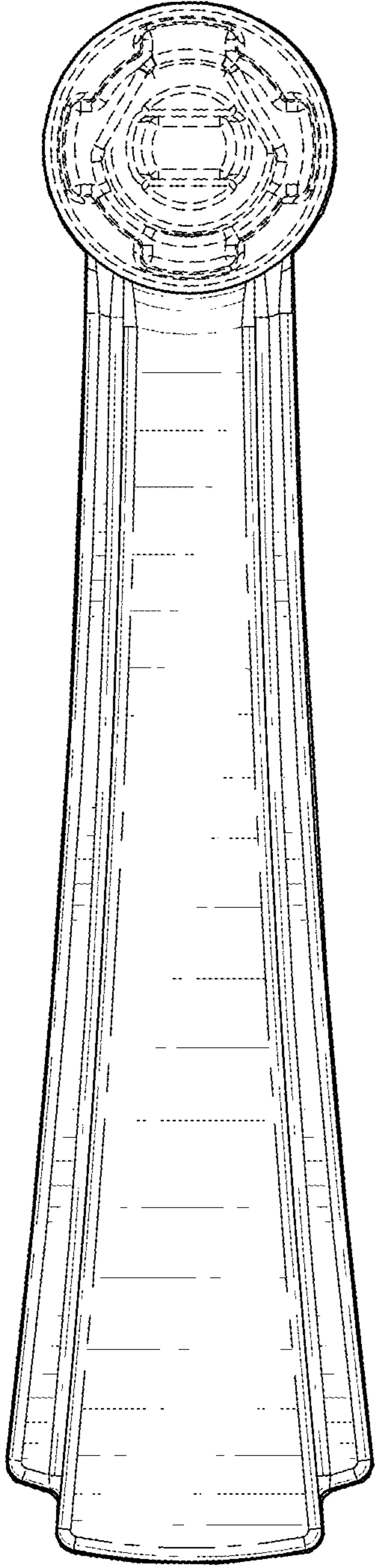


Fig. 7

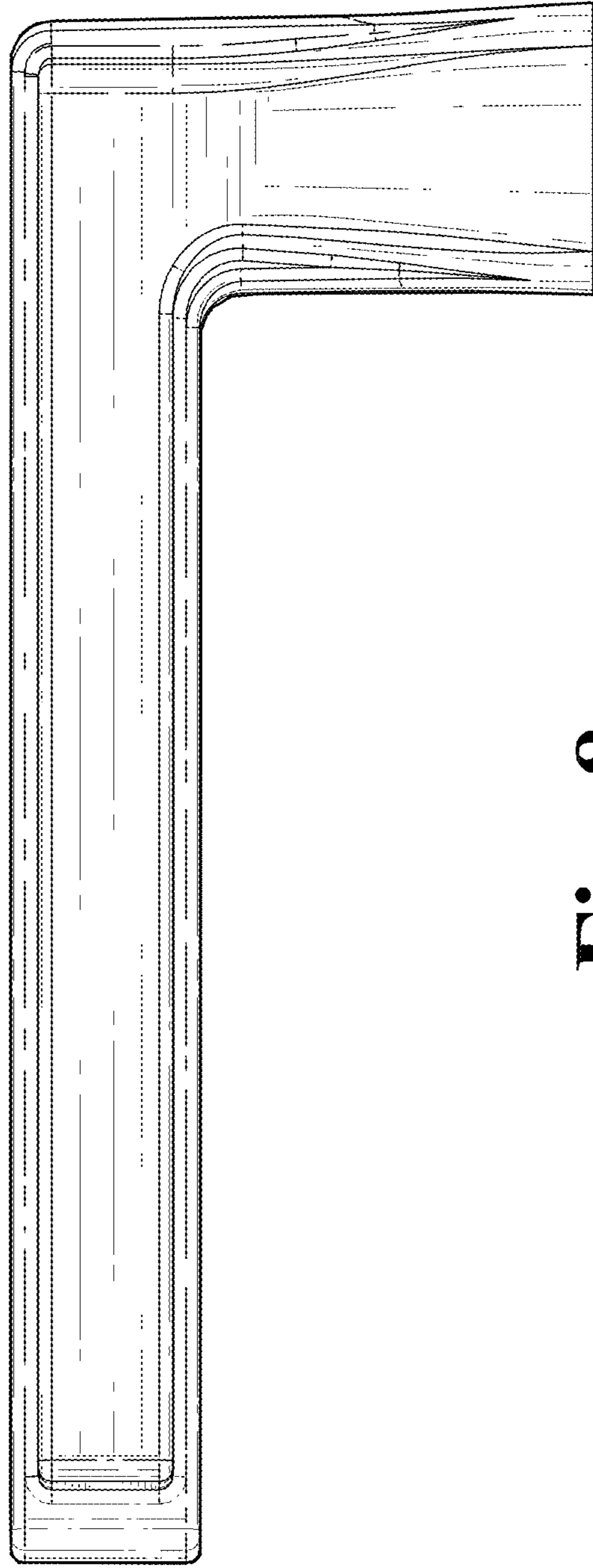


Fig. 8