



US00D922846S

(12) **United States Design Patent**
Villarino, III

(10) **Patent No.:** **US D922,846 S**
(45) **Date of Patent:** **** Jun. 22, 2021**

- (54) **HAMMER**
- (71) Applicant: **Ernerbrand Company**, San Diego, CA (US)
- (72) Inventor: **Ernest R. Villarino, III**, San Diego, CA (US)
- (73) Assignee: **Ernerbrand Company**, San Diego, CA (US)

D789,760 S *	6/2017	Hung	D8/75
D795,667 S *	8/2017	Chen	D8/79
9,718,179 B1	8/2017	Martinez		
D837,019 S *	1/2019	Hyma	D8/78
D837,021 S *	1/2019	Hyma	D8/78
D867,090 S *	11/2019	Hyma	D8/75
D868,558 S *	12/2019	Hyma	D8/75
D908,455 S *	1/2021	Cate	D8/78
2012/0091409 A1 *	4/2012	Hanlon	B25D 1/12 254/26 R

(**) Term: **15 Years**

* cited by examiner

Primary Examiner — Philip S Hyder

(21) Appl. No.: **29/725,401**

(74) *Attorney, Agent, or Firm* — Kelly & Kelley, LLP

(22) Filed: **Feb. 25, 2020**

(51) **LOC (13) Cl.** **08-02**

(52) **U.S. Cl.**
USPC **D8/78; D8/79**

(58) **Field of Classification Search**
USPC D8/14, 75, 76, 77, 78, 79, 80, 81
CPC ... B25D 1/00; B25D 1/02; B25D 1/04; B25D
1/045; B25D 1/06; B25D 1/10; B25D
1/12
See application file for complete search history.

(57) **CLAIM**

The ornamental design for a hammer, as shown and described.

DESCRIPTION

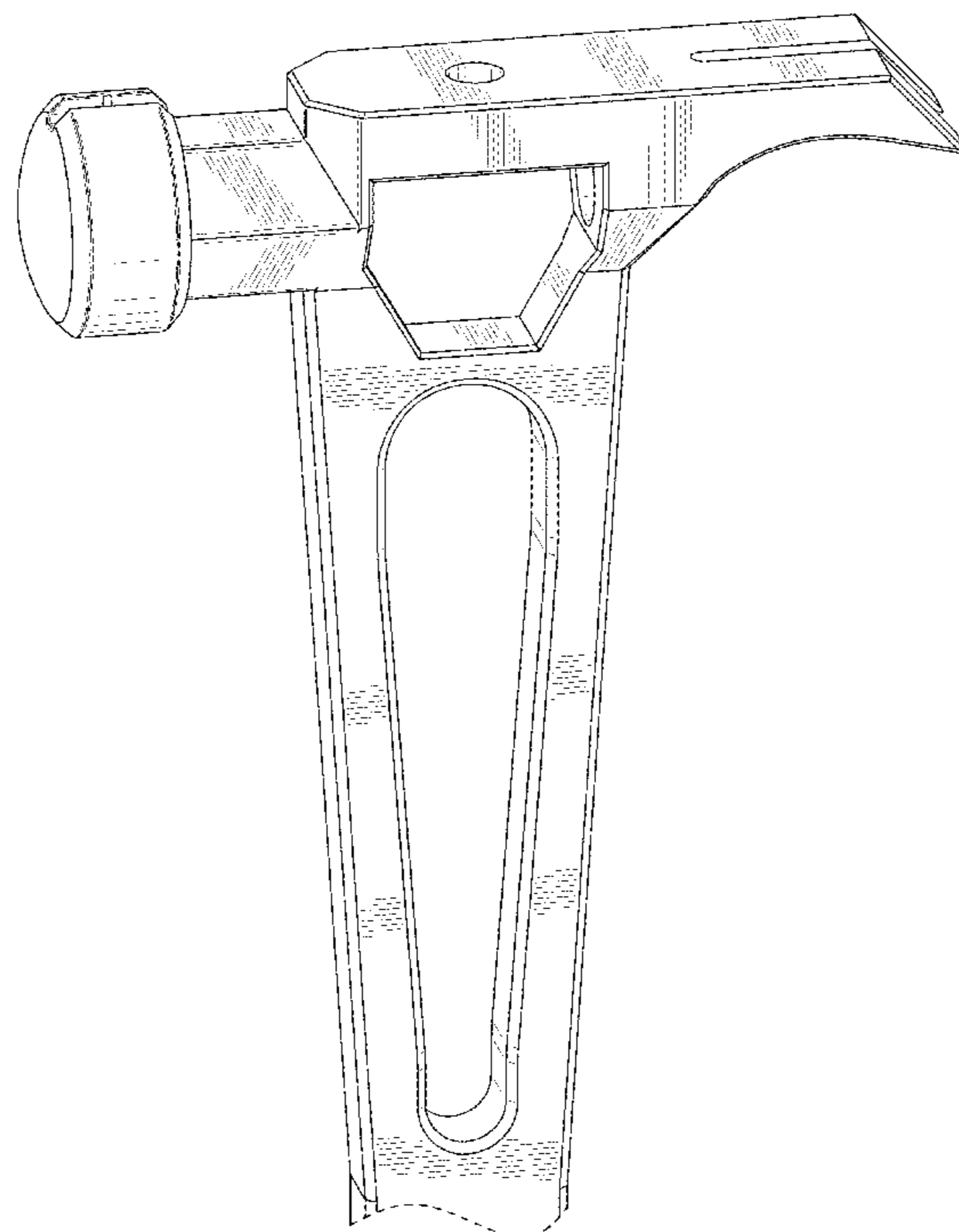
FIG. 1 is a top, front and left-side perspective view of a hammer embodying my new design;
FIG. 2 is a bottom, rear and left-side perspective view thereof;
FIG. 3 is a left-side elevational view thereof, the right-side elevational view being a mirror image;
FIG. 4 is a front elevational view;
FIG. 5 is a rear elevational view thereof;
FIG. 6 is a top plan view thereof;
FIG. 7 is a bottom plan view thereof; and,
FIG. 8 is a top, front and left-side perspective view thereof. The broken line located at the base of the shaft delineates the boundary of the claimed design. The broken line showing of the lower portion shaft in FIG. 8 forms no part of the claimed design.

(56) **References Cited**

U.S. PATENT DOCUMENTS

7,874,231 B2 *	1/2011	Hanlon	B25D 1/12 81/22
D653,925 S *	2/2012	Hung	D8/78
D676,302 S *	2/2013	Vanderbeek	D8/75
D747,943 S *	1/2016	Hung	D8/75
D752,938 S *	4/2016	West	D8/78
D770,875 S *	11/2016	Honadel	D8/75
D777,549 S *	1/2017	Hung	D8/78

1 Claim, 6 Drawing Sheets



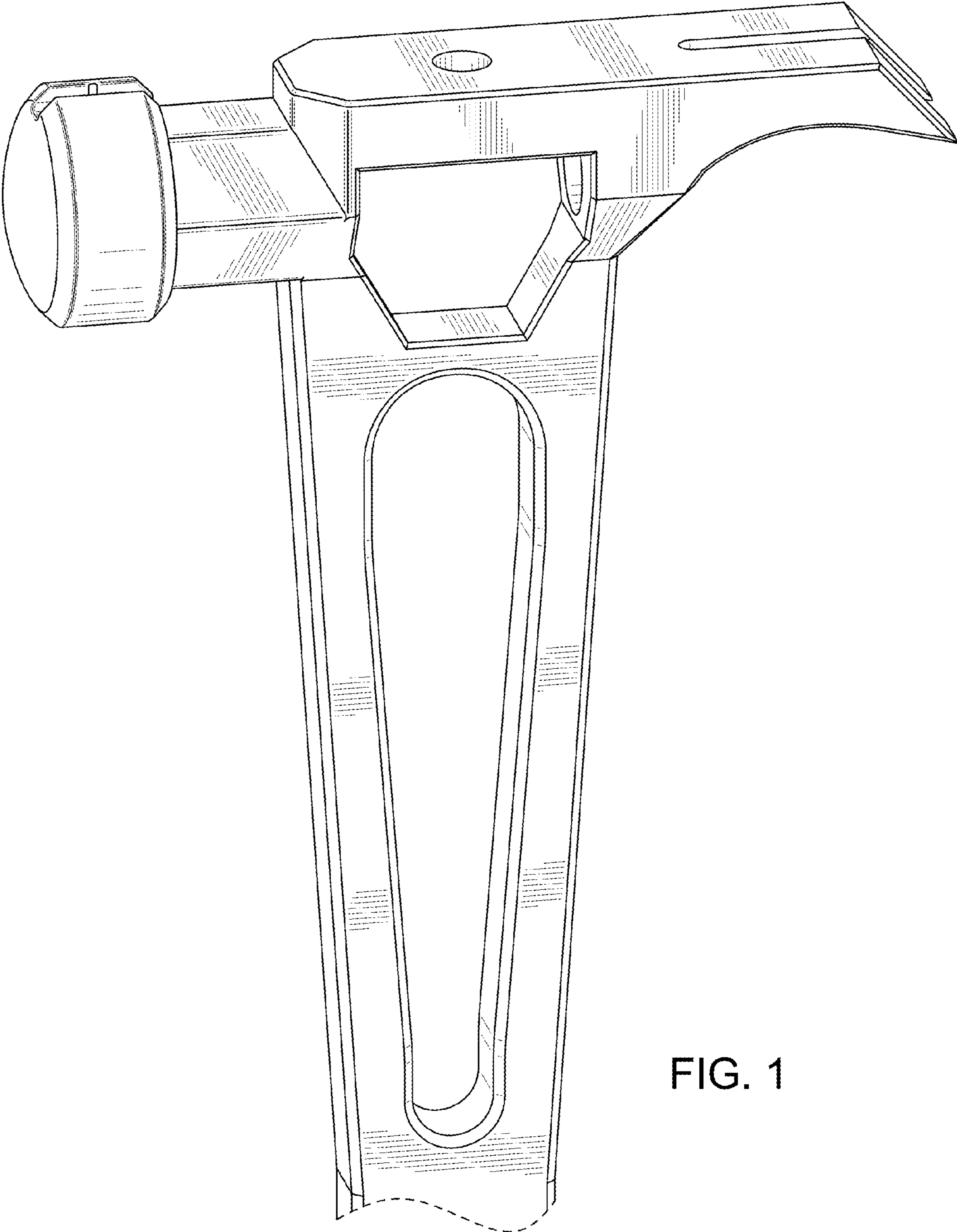


FIG. 1

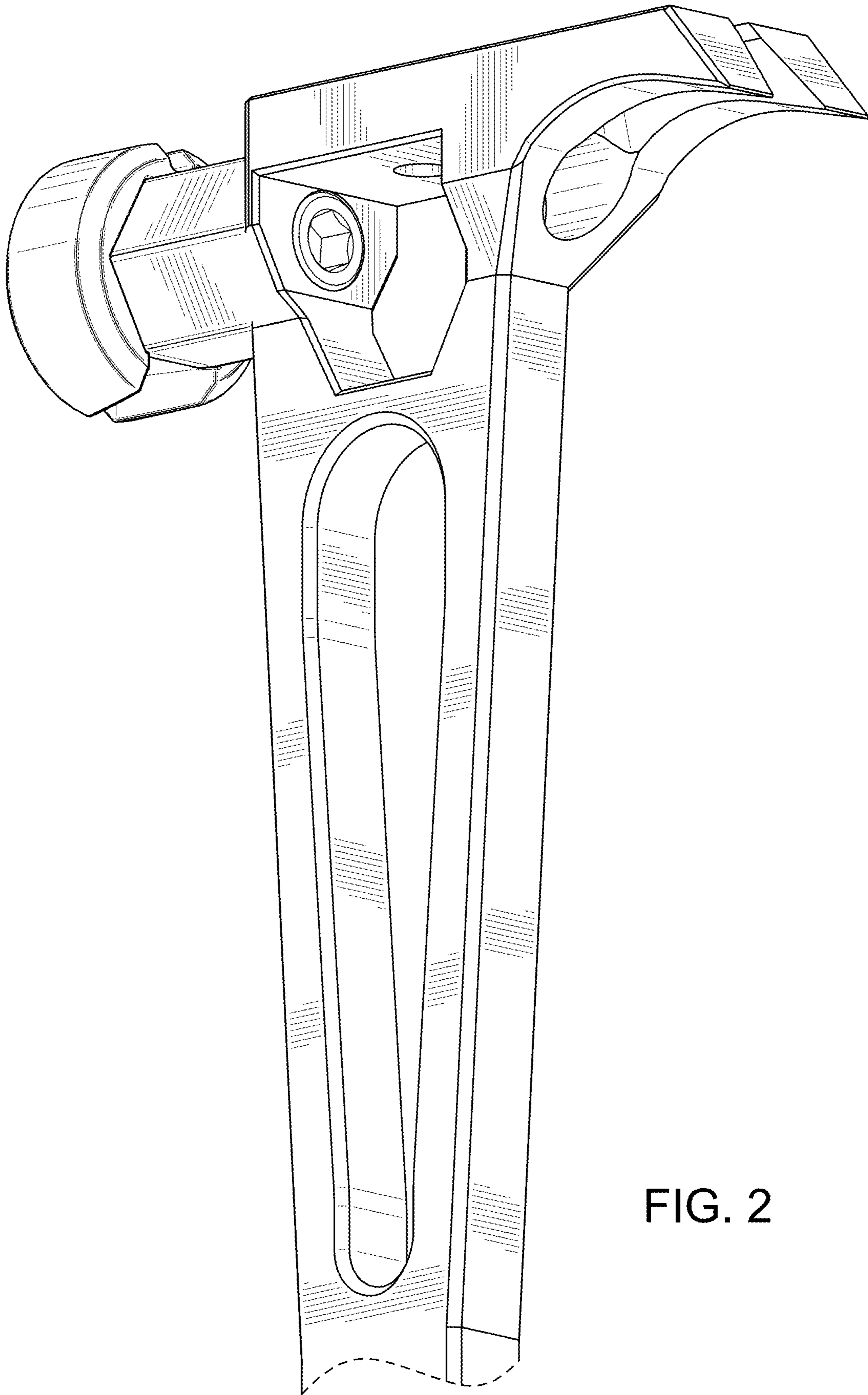


FIG. 2

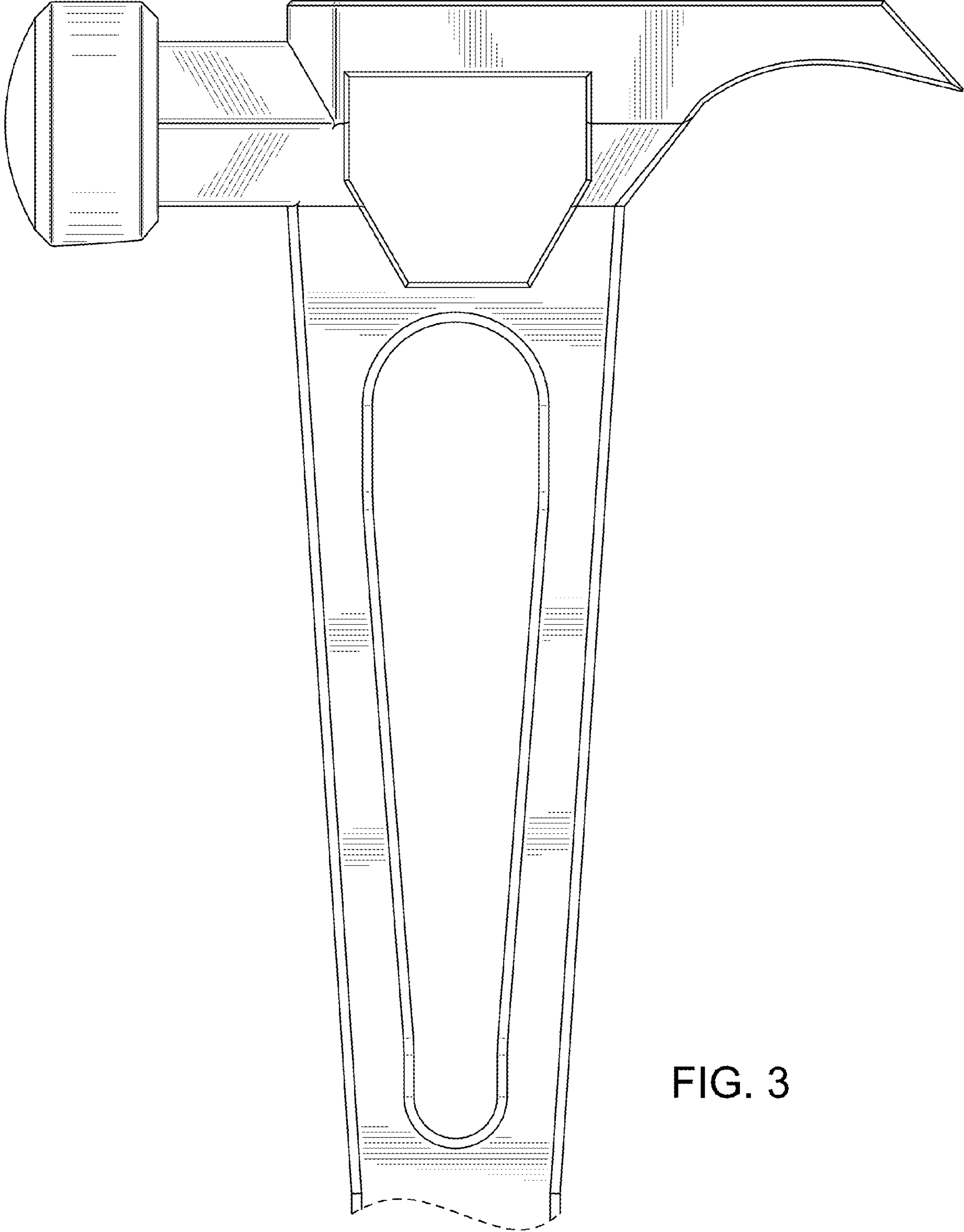


FIG. 3

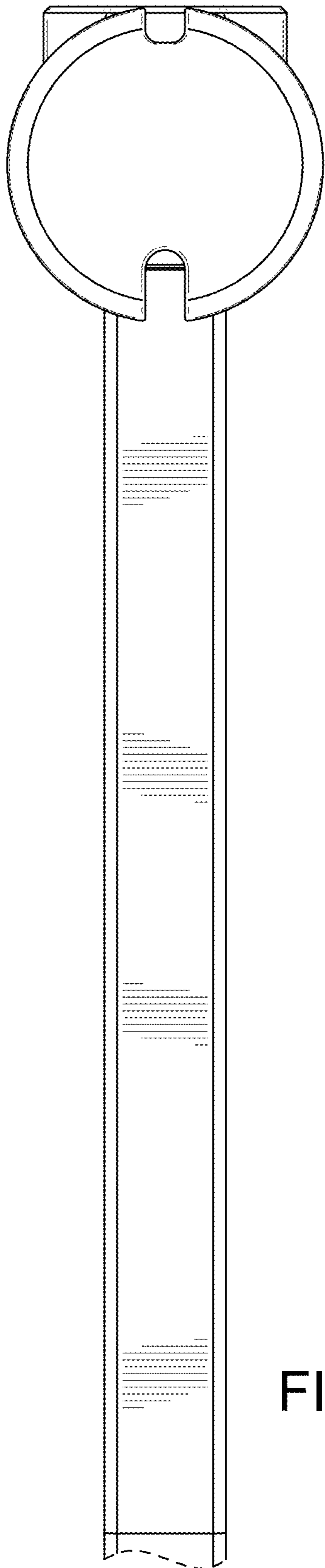


FIG. 4

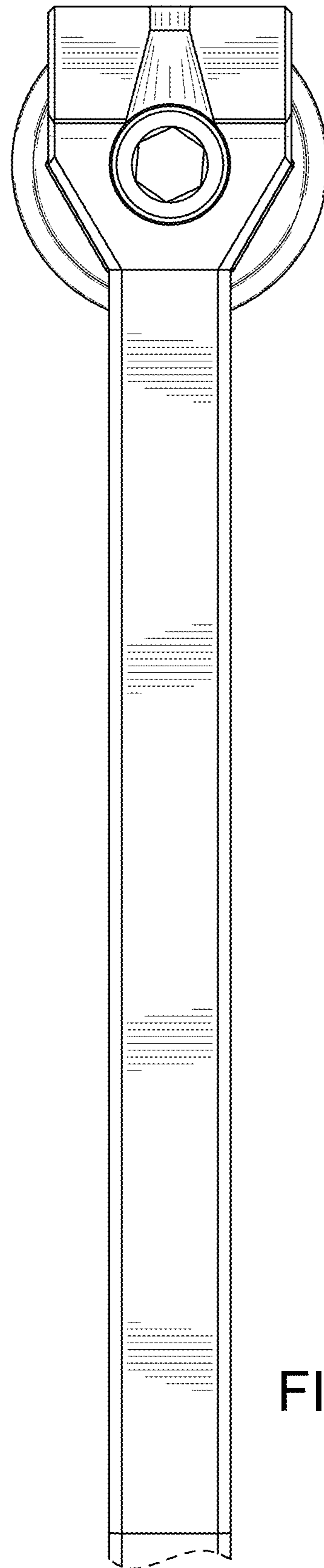


FIG. 5

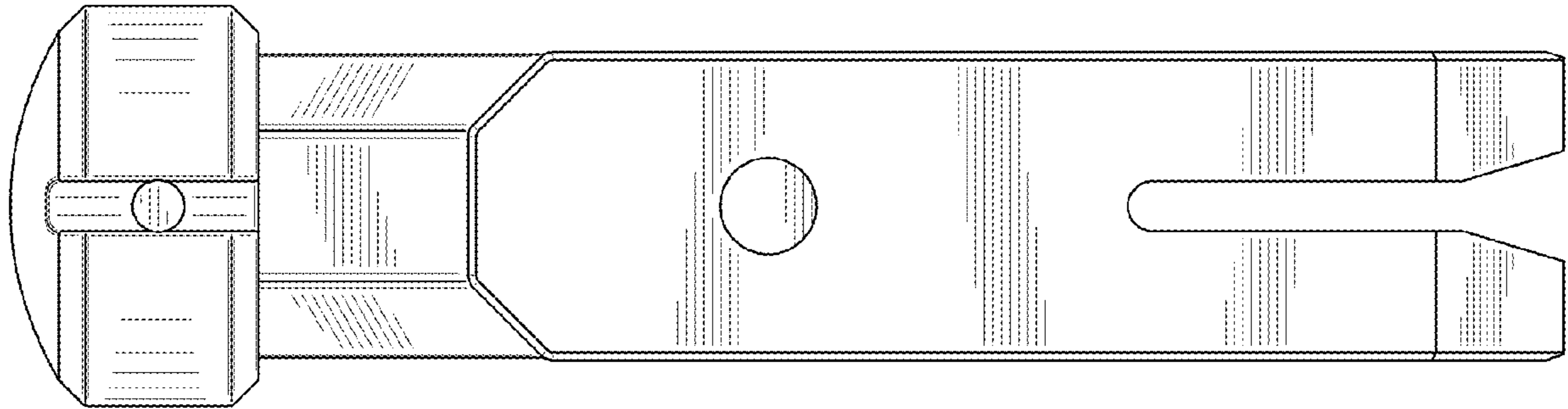


FIG. 6

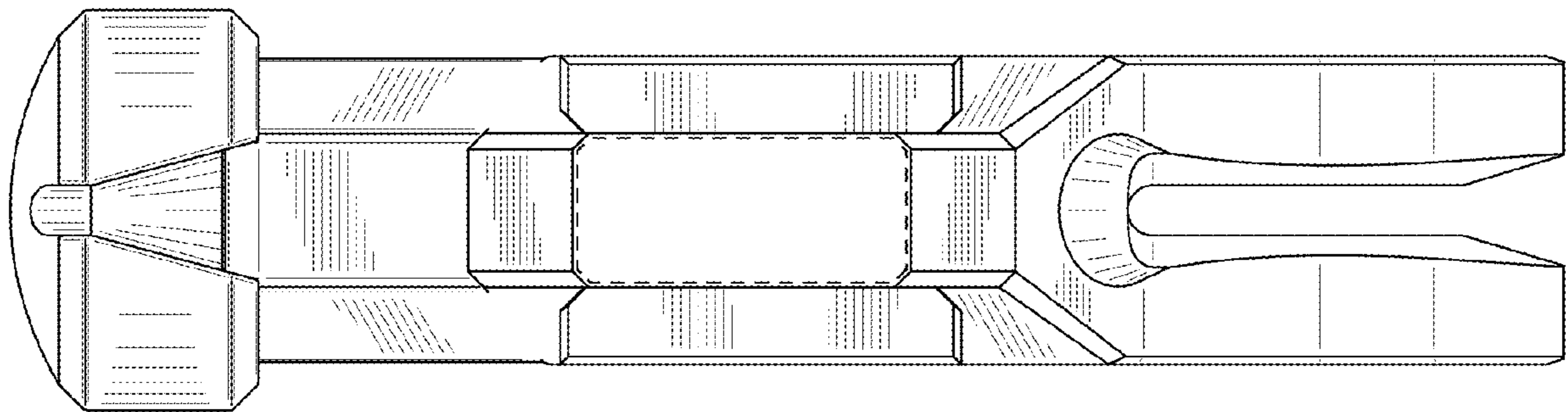


FIG. 7

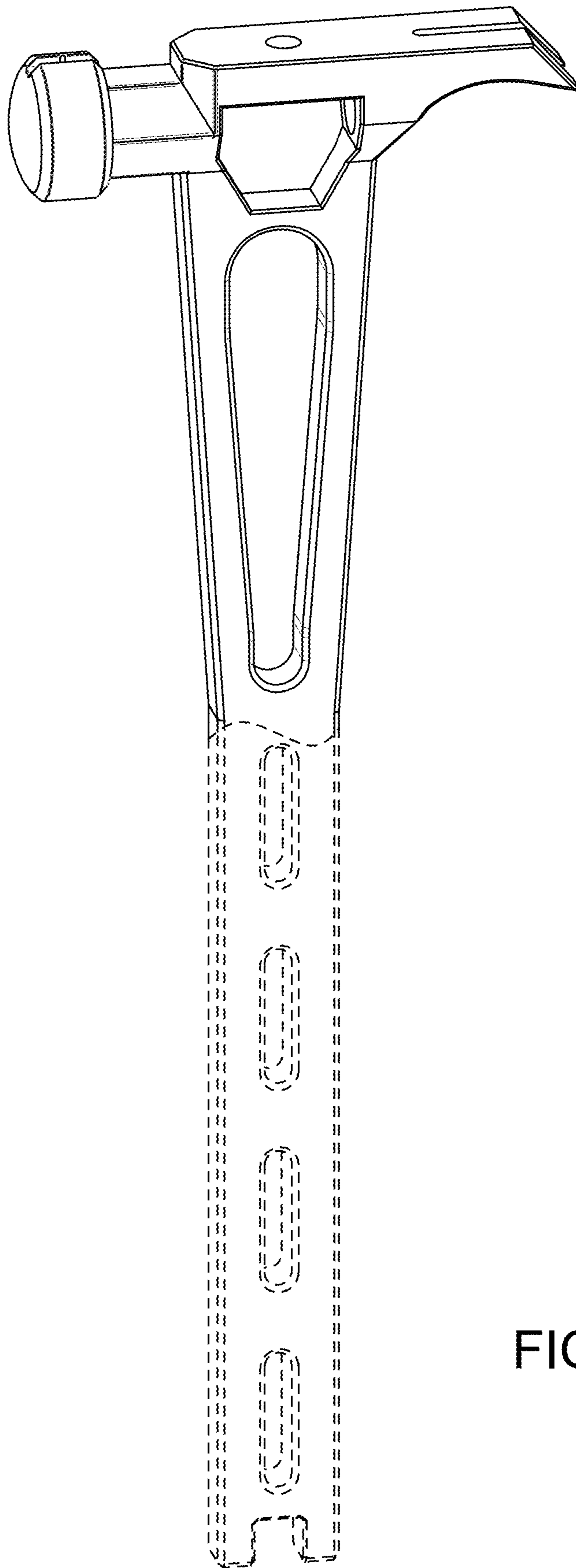


FIG. 8