



US00D922845S

(12) **United States Design Patent** (10) **Patent No.:** **US D922,845 S**
Hall (45) **Date of Patent:** **** Jun. 22, 2021**

(54) **CLAMP** 6,098,973 A * 8/2000 Khachatoorian B25B 5/101
 269/182
 (71) Applicant: **Taylor James Hall**, Palatine, IL (US) D480,617 S * 10/2003 Varzino D8/73
 D487,689 S * 3/2004 Brass D8/73
 (72) Inventor: **Taylor James Hall**, Palatine, IL (US) D489,241 S * 5/2004 Parham D8/73
 8,439,339 B2 * 5/2013 Roesch B25B 5/102
 269/249
 (73) Assignee: **Nomis LLC**, Palatine, IL (US) D788,561 S * 6/2017 Miller D8/72
 D846,365 S * 4/2019 Wang D8/72
 (**) Term: **15 Years** D909,166 S * 2/2021 Alva D8/73

* cited by examiner

(21) Appl. No.: **29/719,927**

(22) Filed: **Jan. 8, 2020**

(51) **LOC (13) Cl.** **08-05**

(52) **U.S. Cl.**
USPC **D8/73**

(58) **Field of Classification Search**
USPC D8/71-74, 394-399, 59; 248/62, 63, 72,
248/74.1, 689, 124.2; 81/487; 269/3, 4,
269/6, 143, 165, 240, 243, 246-249,
269/254 R, 147-149; 29/256, 257, 276;
408/103, 104-109
CPC B25B 1/00; B25B 5/00
See application file for complete search history.

(56) **References Cited**

U.S. PATENT DOCUMENTS

3,599,960 A * 8/1971 Phillips B25B 1/125
 269/182
 D278,308 S * 4/1985 Garvis D8/71
 D348,816 S * 7/1994 Degen D8/73
 D358,538 S * 5/1995 Cote D8/73
 D375,239 S * 11/1996 Hall D8/73

Primary Examiner — David G Muller

(74) *Attorney, Agent, or Firm* — Reinhart Boemer Van Deuren P.C.

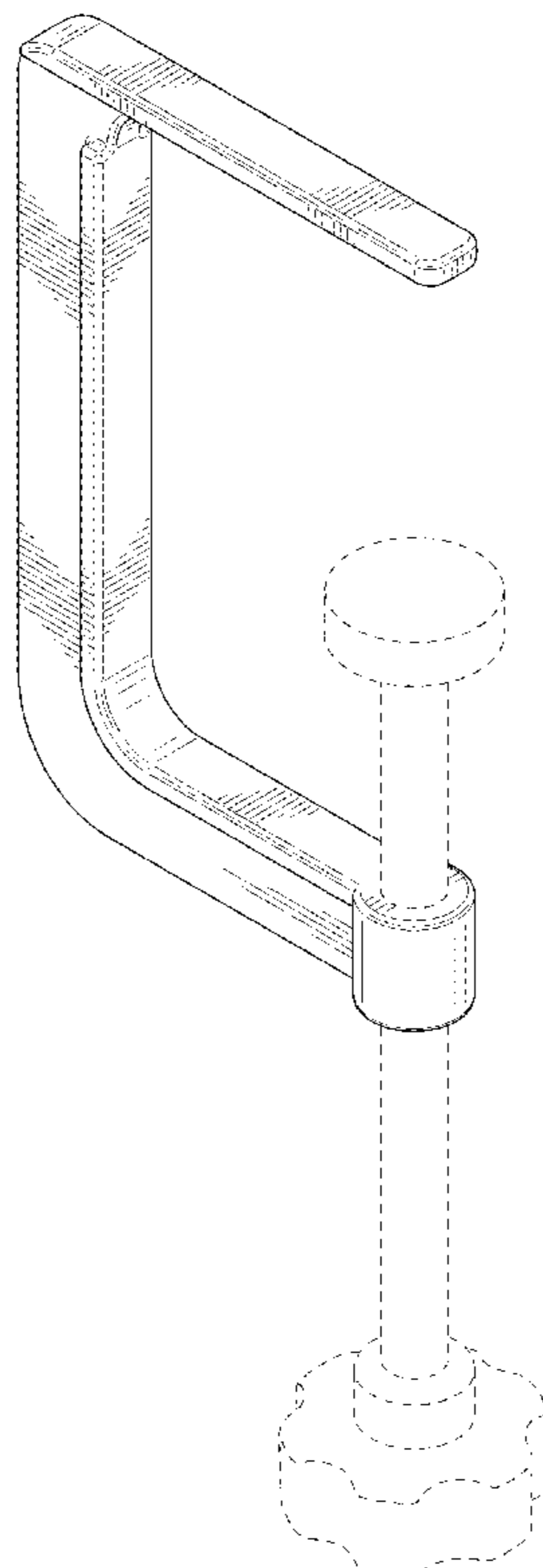
(57) **CLAIM**

I claim the ornamental design for the clamp, as shown and described.

DESCRIPTION

FIG. 1 is a perspective view of the clamp;
 FIG. 2 is a perspective view of the clamp;
 FIG. 3 is a front view of the clamp;
 FIG. 4 is a rear view of the clamp;
 FIG. 5 is a side view of the clamp;
 FIG. 6 is a side view of the clamp showing the side opposite that shown in FIG. 5;
 FIG. 7 is a top view of the clamp; and,
 FIG. 8 is a bottom view of the clamp.
 The dashed lines are unclaimed subject matter and form no part of the claimed design.

1 Claim, 6 Drawing Sheets



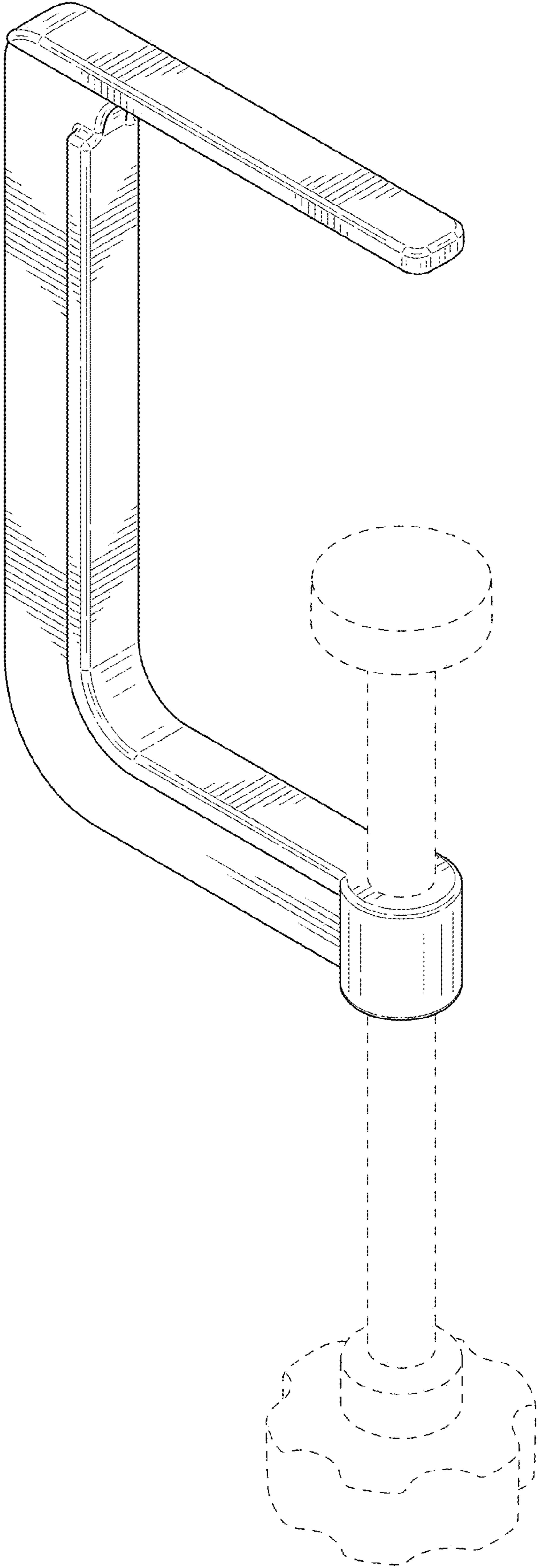


FIG. 1

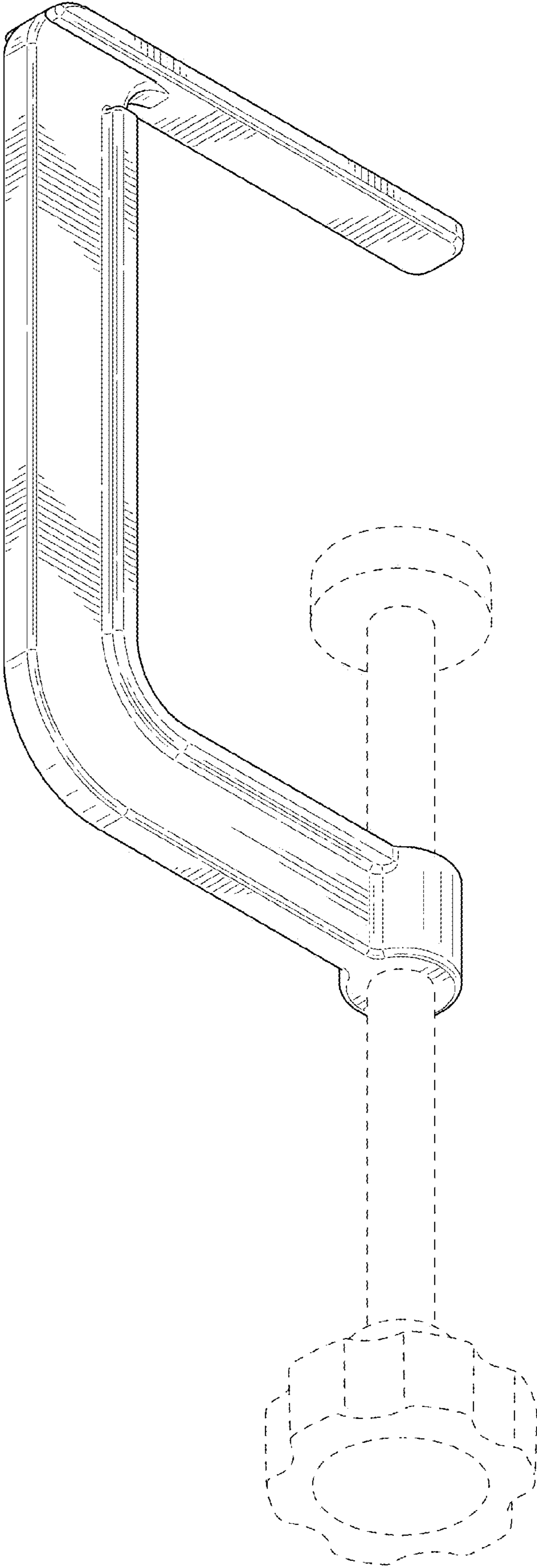


FIG. 2

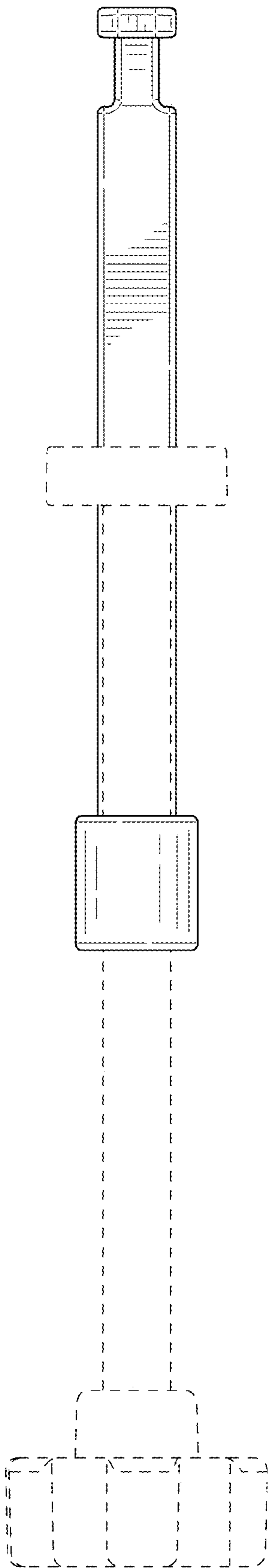


FIG. 3

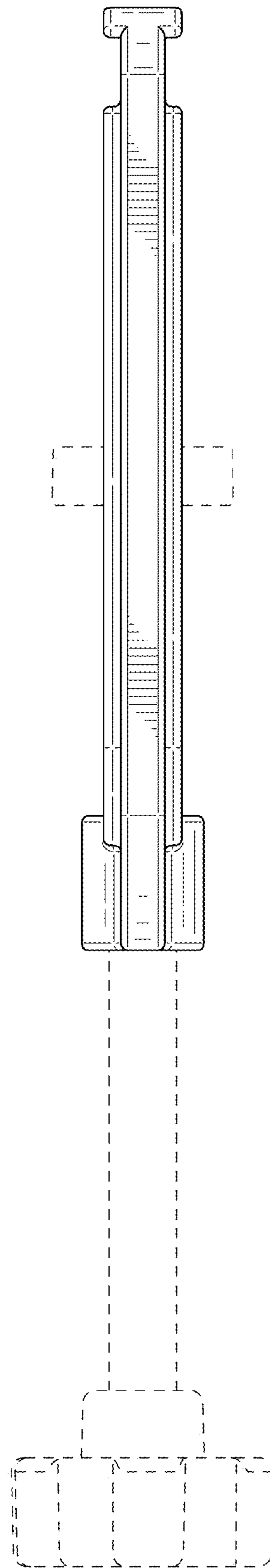


FIG. 4

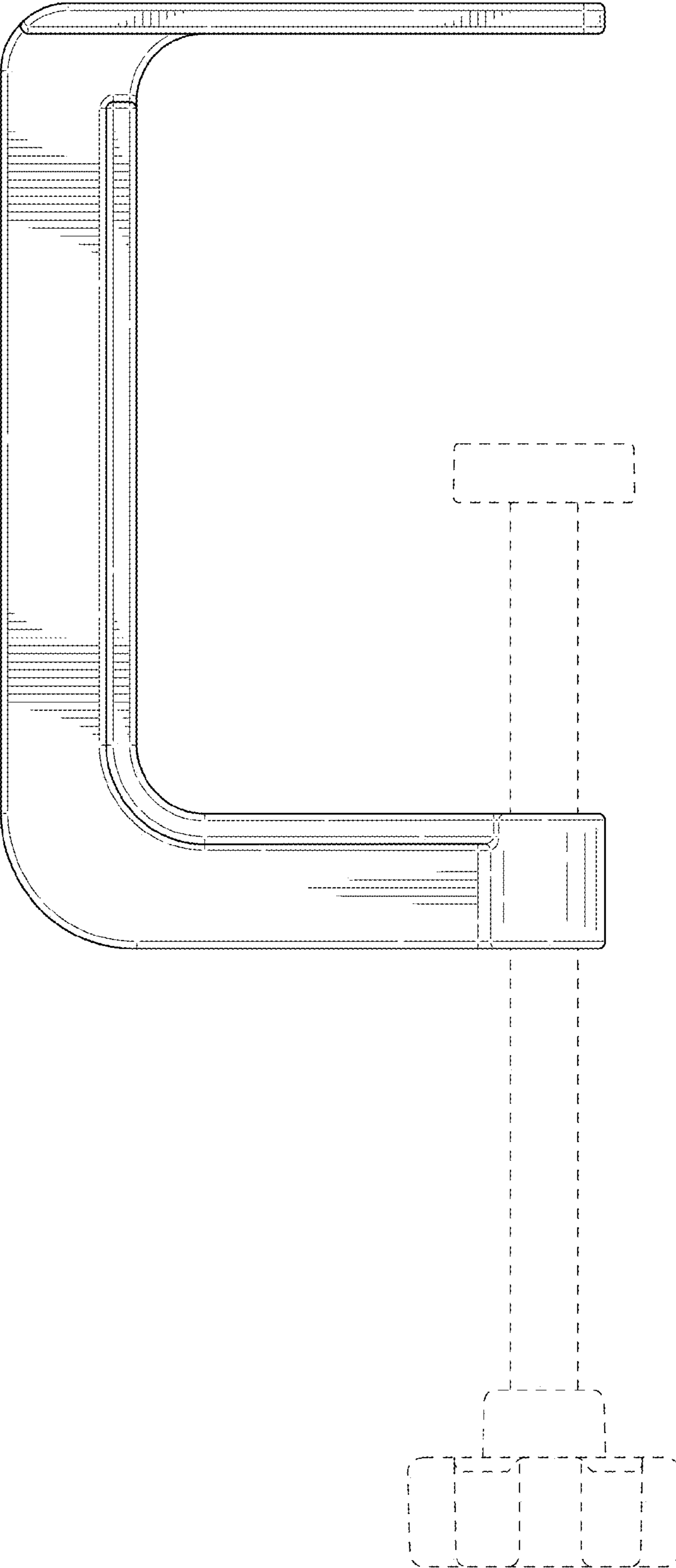


FIG. 5

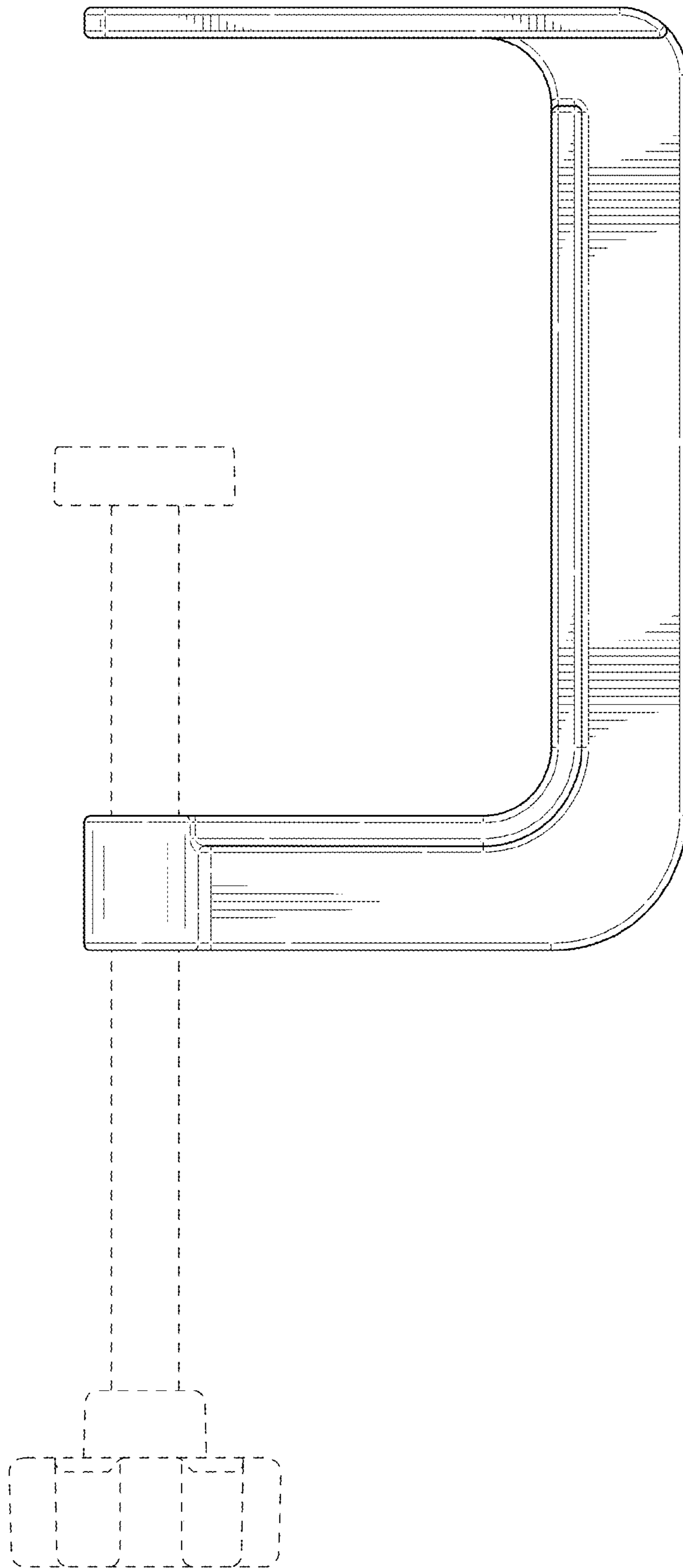


FIG. 6

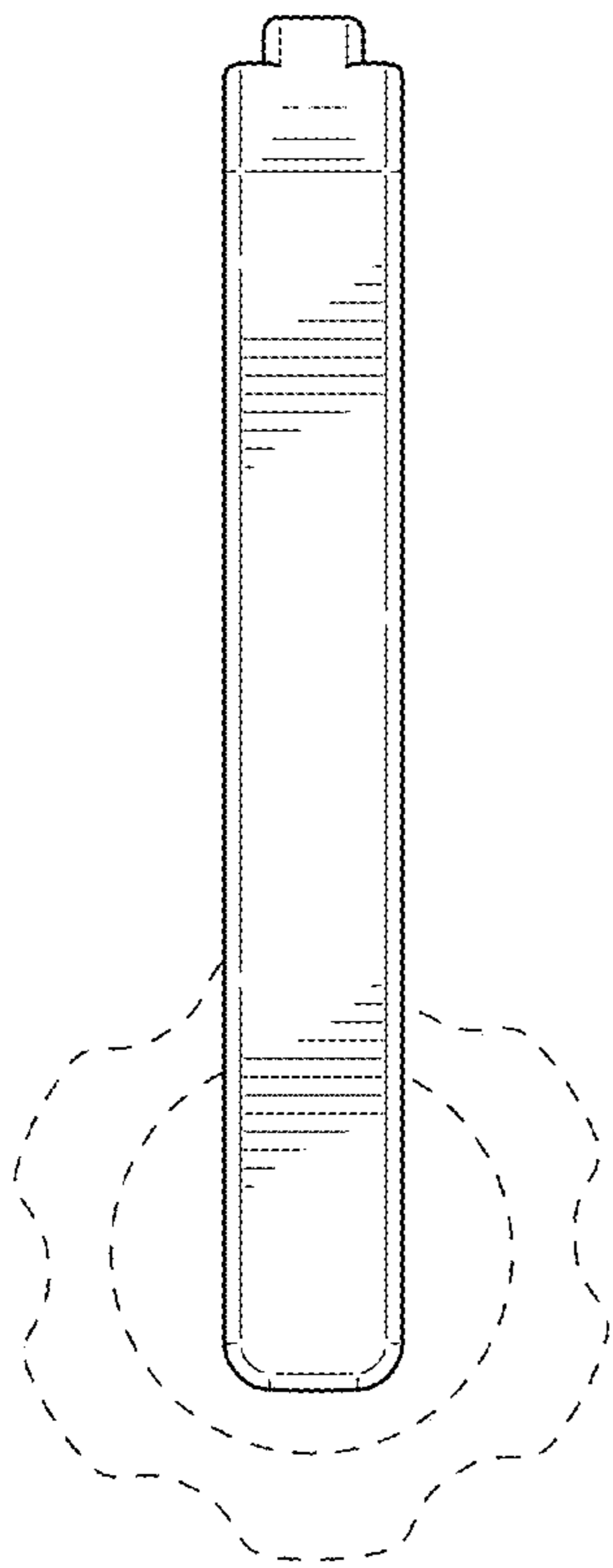


FIG. 7

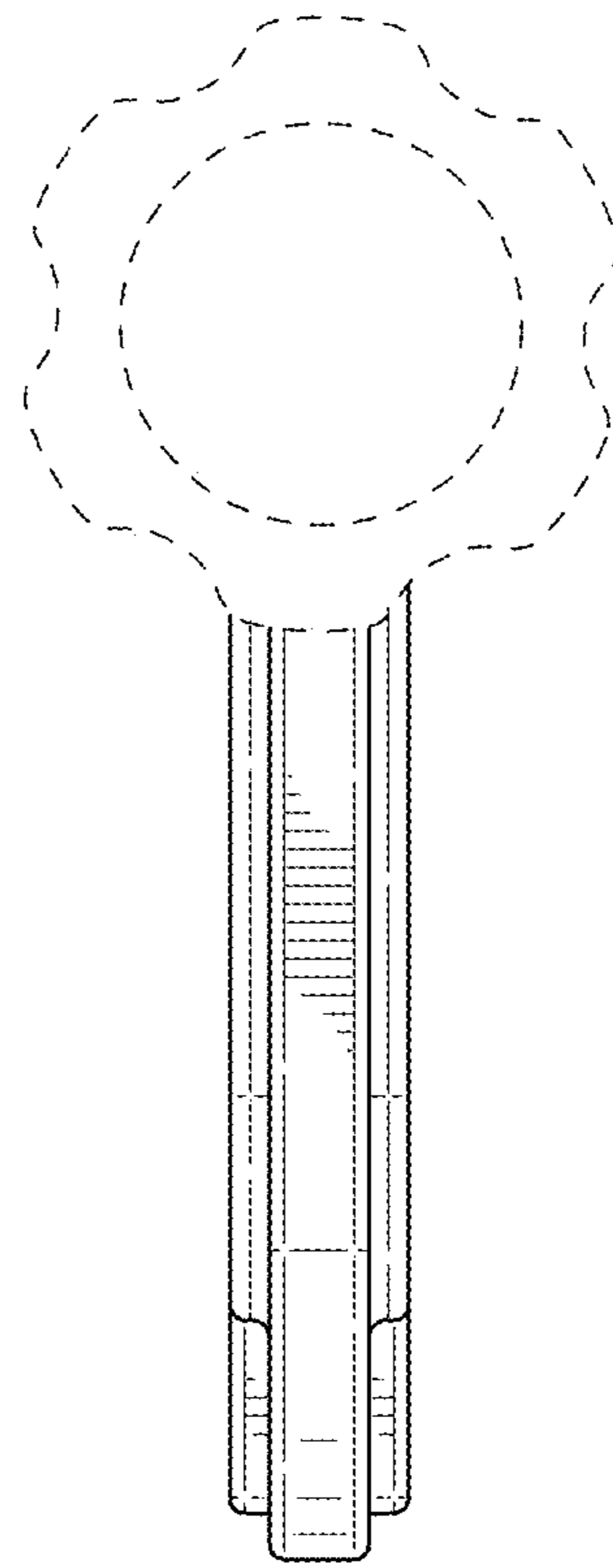


FIG. 8