

US00D922841S

(12) **United States Design Patent**
Hyma et al.

(10) **Patent No.:** **US D922,841 S**
(45) **Date of Patent:** **** Jun. 22, 2021**

(54) **CHISEL**
(71) Applicant: **MILWAUKEE ELECTRIC TOOL CORPORATION**, Brookfield, WI (US)
(72) Inventors: **Steven W. Hyma**, Milwaukee, WI (US); **Anthony R. Erickson**, Milwaukee, WI (US); **Max R. Sawa**, Palatine, IL (US); **Tobias Berg**, Pfullendorf (DE); **Nicolai Rumpel**, Bingen (DE)

3,258,295 A * 6/1966 Ives E01C 23/124
299/100
3,636,955 A * 1/1972 Kurtz A61B 17/3211
606/223
3,655,244 A 4/1972 Swisher
(Continued)

FOREIGN PATENT DOCUMENTS

CN 201922428 U 8/2011
CN 302040858 S 8/2012
(Continued)

(73) Assignees: **MILWAUKEE ELECTRIC TOOL CORPORATION**, Brookfield, WI (US); **DREBO WERKZEUGFABRIK GMBH**, Altshausen (DE)

OTHER PUBLICATIONS

Javier. "New Milwaukee Masonry, Concrete, and Tile Drilling Accessories." Tool Craze., Jul. 2, 2020 [online], [retrieved on Jan. 31, 2021], Retrieved from the Internet <URL: <https://toolcraze.net/new-milwaukee-masonry-concrete-and-tile-drilling-accessories/>>.*

(**) Term: **15 Years**

Primary Examiner — Darlington Ly
(74) *Attorney, Agent, or Firm* — Michael Best & Friedrich LLP

(21) Appl. No.: **29/690,102**
(22) Filed: **May 6, 2019**
(51) **LOC (13) Cl.** **08-05**
(52) **U.S. Cl.**
USPC **D8/70; D8/47**
(58) **Field of Classification Search**
USPC D8/14, 20, 47, 70; D15/21, 28, 29, 139;
D24/146; D32/46
CPC B25D 3/00; B25D 11/102; B25D 17/005
See application file for complete search history.

(57) **CLAIM**

We claim the ornamental design for a chisel, as shown and described.

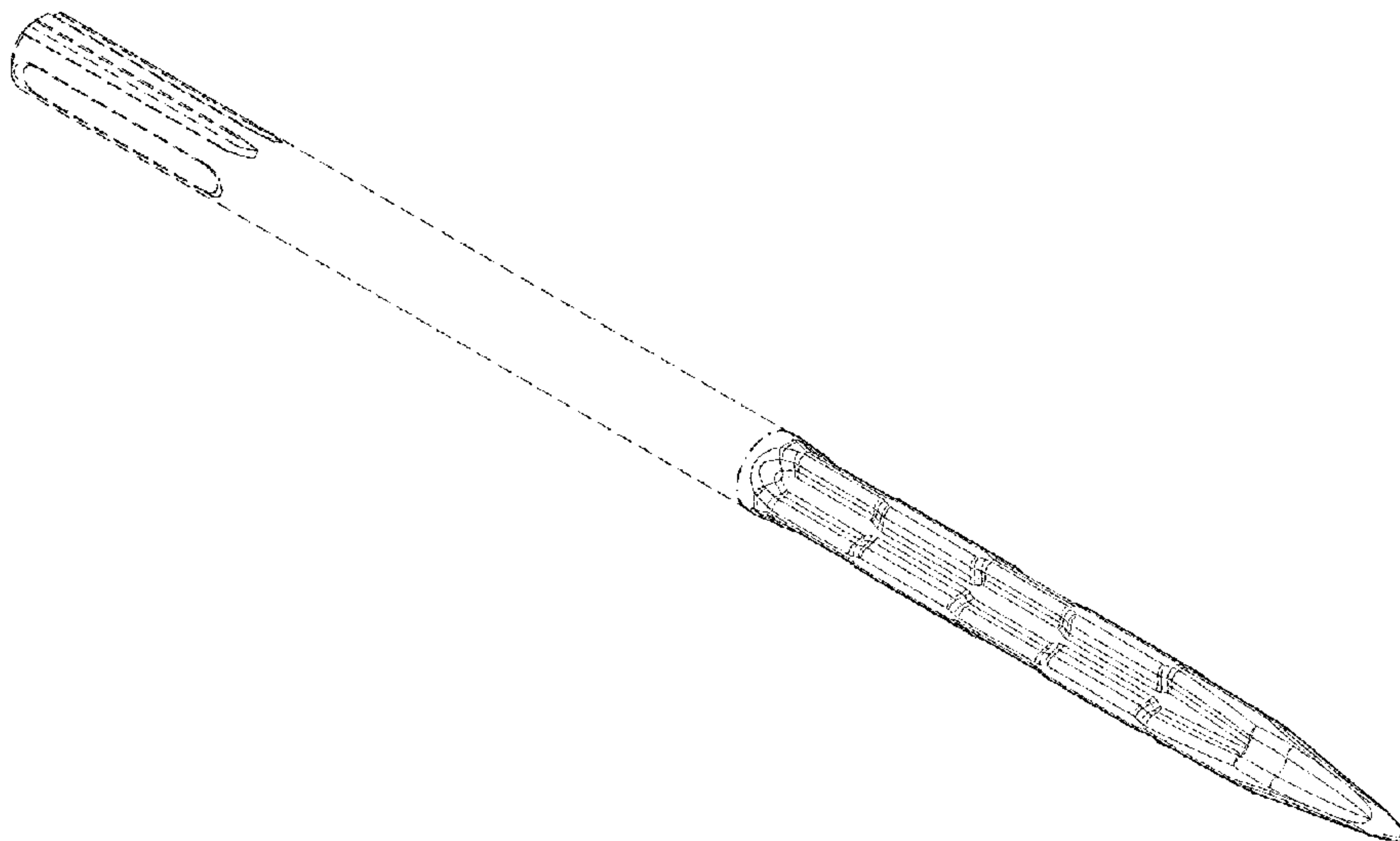
DESCRIPTION

FIG. 1 is a front perspective view of a chisel showing our new design;
FIG. 2 is a top plan view thereof;
FIG. 3 is a bottom plan view thereof;
FIG. 4 is a rear elevation view thereof;
FIG. 5 is a front elevation view thereof;
FIG. 6 is a right side elevation view thereof; and,
FIG. 7 is a left side elevation view thereof.
The broken lines in the drawings illustrate portions of the chisel that form no part of the claimed design. The dash-dot-dash broken lines are provided for the purpose of illustrating a boundary of the claimed design.

(56) **References Cited**
U.S. PATENT DOCUMENTS

1,350,241 A 8/1920 Routh
1,570,650 A 1/1926 Thomson
2,028,993 A 1/1936 Pollard
D137,744 S * 4/1944 Gunderson D8/47
2,629,588 A 2/1953 Neamand
2,900,178 A 8/1959 Harrison et al.
3,027,953 A 4/1962 Coski
3,043,002 A 7/1962 Brown
3,044,169 A 7/1962 Brown

1 Claim, 4 Drawing Sheets



(56)

References Cited

U.S. PATENT DOCUMENTS

4,030,553	A *	6/1977	Rockwell	B25D 17/02	CN	302740075	S	2/2014
					173/1	CN	302787018	S	4/2014
4,089,562	A *	5/1978	Baumeister	B25D 17/02	CN	302828792	S	5/2014
					125/36	CN	302828793	S	5/2014
4,111,060	A *	9/1978	Nerini	B23Q 5/027	CN	302828794	S	5/2014
					144/35.2	CN	302828795	S	5/2014
4,144,868	A	3/1979	Heitbrink			CN	302828796	S	5/2014
4,280,572	A	7/1981	Schmid et al.			CN	302828800	S	5/2014
5,145,237	A	9/1992	Schulz et al.			CN	302828802	S	5/2014
D346,103	S *	4/1994	Warner	D8/47	CN	303187760	S	4/2015
5,735,648	A	4/1998	Kleine			CN	303223379	S	5/2015
6,076,431	A	6/2000	Vasudeva			CN	303488500	S	12/2015
D482,252	S *	11/2003	Hyde	D8/47	CN	303488502	S	12/2015
D495,567	S *	9/2004	Gontar	B25D 3/00	DE	118286	C	11/1898
					D8/1	DE	466471	C	10/1928
6,981,496	B2	1/2006	Szendrovvari et al.			DE	733686	C	4/1943
7,178,878	B2 *	2/2007	Rompel	B25D 17/02	DE	808001	C	7/1951
					299/100	DE	812373	C	8/1951
7,363,922	B2 *	4/2008	Lang	B25D 17/02	DE	828385	C	1/1952
					125/36	DE	1846211	U	2/1962
D637,629	S *	5/2011	Clark	D15/29	DE	1266249	B	4/1968
D648,356	S *	11/2011	Clark	D15/29	DE	2818685	A1	11/1978
8,141,255	B2	3/2012	Su			DE	3127740	A1	2/1982
D689,755	S *	9/2013	Quinn	D8/70	DE	8320045	U1	11/1983
D699,089	S *	2/2014	Quinn	D8/70	DE	29516413	U1	4/1996
8,769,827	B2 *	7/2014	Powers	B25D 3/00	DE	19914522	C2	10/2000
					30/167	DE	10133948	A1	2/2003
9,085,074	B2	7/2015	Quinn et al.			DE	202004012846	U1	10/2004
9,221,164	B2	12/2015	Schneider et al.			DE	202013003876	U1	6/2013
D752,937	S	4/2016	Schneider et al.			DE	102012224434	A1	7/2014
9,333,635	B2	5/2016	Quinn et al.			EM	001768185-0001		10/2010
D779,904	S	2/2017	Schneider et al.			EM	001768185-0002		10/2010
2003/0221685	A1	12/2003	Lang et al.			EM	001768185-0004		10/2010
2004/0050568	A1 *	3/2004	Orozco, Jr.	B25D 11/102	EM	001768185-0005		10/2010
					173/100	EM	001318919-0002		3/2012
2007/0062046	A1	3/2007	Hsu			EM	001318943-0002		3/2012
2011/0280678	A1 *	11/2011	Bohn	B21K 21/16	EM	001318943-0001		12/2012
					408/204	EM	001318919-0001		3/2013
2012/0301238	A1 *	11/2012	Quinn	C22C 38/18	EM	001860214-0001		5/2013
					408/199	EP	0156789	A1	10/1985
2013/0205603	A1 *	8/2013	Schneider	B25D 3/00	EP	0497307	A2	8/1992
					30/346	EP	0551549	A1	7/1993
						EP	1391272	A1	2/2004
						EP	1468790	A1	10/2004
						WO	9740965	A1	11/1997
						WO	0136163	A1	5/2001
						WO	09043617	A1	4/2009
						WO	081175-2	DM	6/2013
						WO	081175-1	DM	7/2013
						WO	16153364	A2	9/2016
						WO	17162623	A1	9/2017
						WO	2018024666	A1	2/2018
						WO	2018029022	A1	2/2018

FOREIGN PATENT DOCUMENTS

CN	302105469	S	10/2012
CN	302105513	S	10/2012
CN	302229164	S	12/2012
CN	203081302	U	7/2013

* cited by examiner

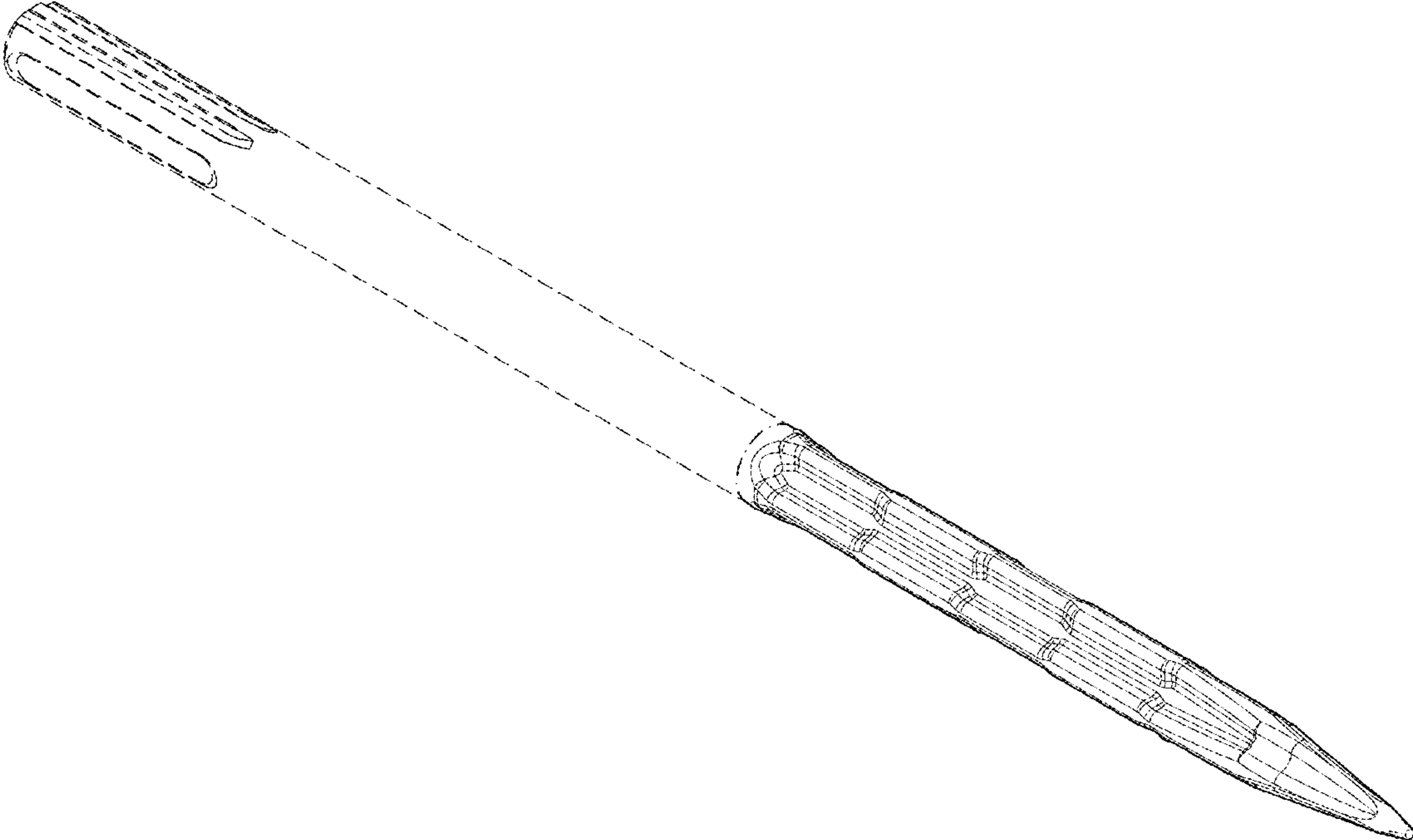


FIG. 1

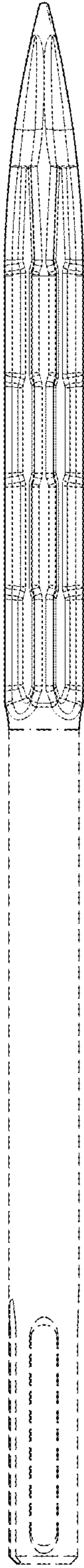


FIG. 2

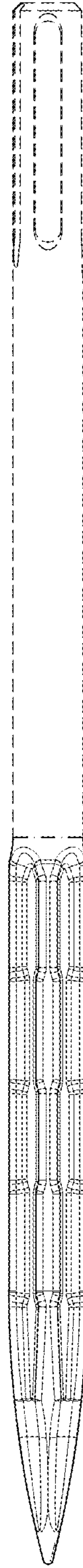


FIG. 3

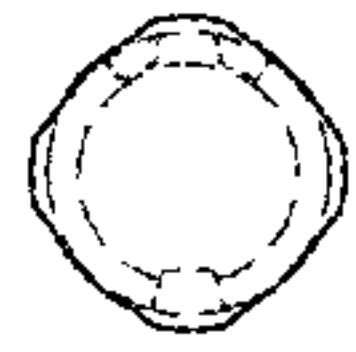


FIG. 4

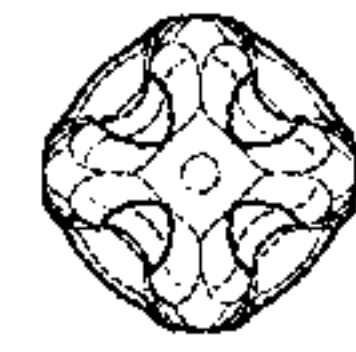


FIG. 5

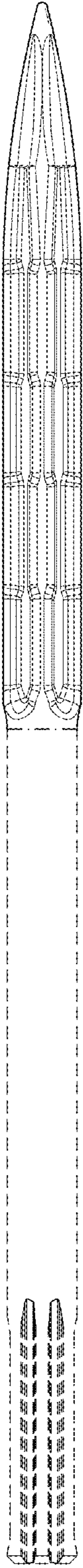


FIG. 6

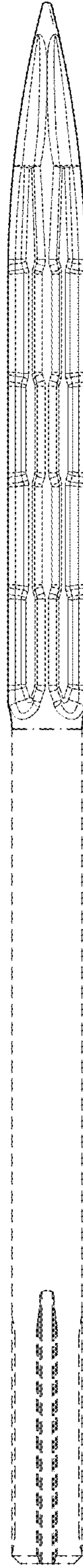


FIG. 7