



US00D922839S

(12) **United States Design Patent** (10) **Patent No.:** **US D922,839 S**
Bartko (45) **Date of Patent:** **** Jun. 22, 2021**

(54) **FLANGE REMOVAL TOOL**
(71) Applicant: **Bruce A. Bartko**, Munhall, PA (US)
(72) Inventor: **Bruce A. Bartko**, Munhall, PA (US)
(**) Term: **15 Years**
(21) Appl. No.: **29/709,944**

D540,631 S * 4/2007 Bryant D8/14
D558,542 S * 1/2008 Kiely D8/19
D568,124 S * 5/2008 Stevens, Sr. D8/14
D619,199 S * 7/2010 Purcell D22/199
D631,319 S * 1/2011 Davis D8/88
7,971,329 B1 * 7/2011 Brohard B25B 27/04
29/275
D741,672 S * 10/2015 Bryant D8/14
D800,521 S * 10/2017 Vontsteen D8/16
2008/0295254 A1 * 12/2008 Meekins B66F 15/00
7/166

(22) Filed: **Oct. 18, 2019**
(51) **LOC (13) Cl.** **08-05**
(52) **U.S. Cl.**
USPC **D8/14**
(58) **Field of Classification Search**
USPC D8/14, 17, 88, 89, 98, 45, 47, 105, 107
CPC B25B 27/00; B66F 15/00; Y10T 29/53909
See application file for complete search history.

* cited by examiner

Primary Examiner — Philip S Hyder
(74) *Attorney, Agent, or Firm* — The Webb Law Firm

(57) **CLAIM**

The ornamental design for a flange removal tool, as shown and described.

DESCRIPTION

(56) **References Cited**

U.S. PATENT DOCUMENTS

4,546,513 A * 10/1985 Hammond B60S 3/045
15/105
D350,270 S * 9/1994 Jensen D8/89
D359,894 S * 7/1995 Pomeroy D8/16
D410,178 S * 5/1999 Clayson D8/16
D416,178 S * 11/1999 Moore D8/16
D419,848 S * 2/2000 Kirby D8/89
6,296,230 B1 * 10/2001 Roth B66F 15/00
254/131
D456,226 S * 4/2002 Doshay D8/17
6,901,644 B1 * 6/2005 Rich B25B 27/04
29/275
D532,661 S * 11/2006 Wood D8/14

FIG. 1 is an upper right perspective view of a flange removal tool showing my new design in accordance with the present invention;

FIG. 2 is a top view thereof;

FIG. 3 is a bottom view thereof;

FIG. 4 is a rear view thereof;

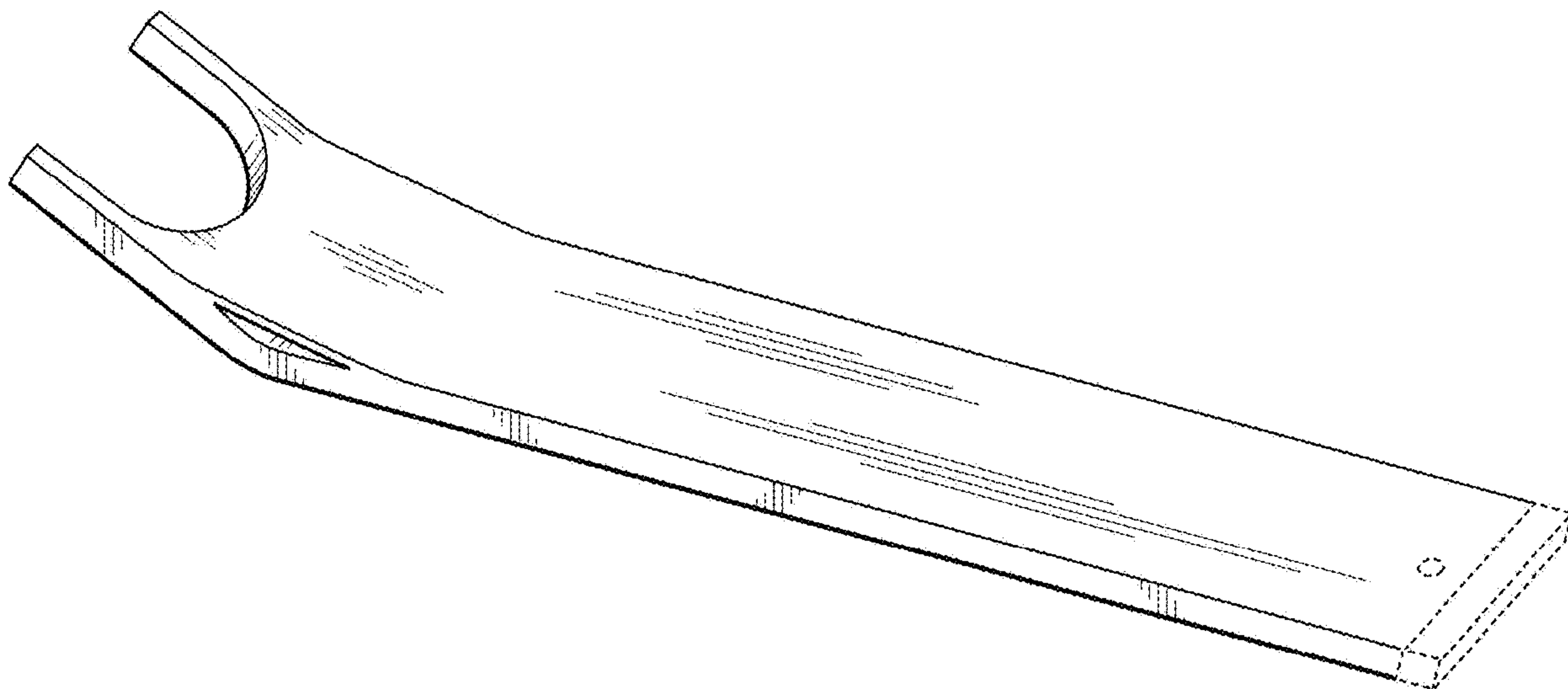
FIG. 5 is a front view thereof

FIG. 6 is a right side view thereof; and,

FIG. 7 is a left side view thereof.

The broken lines depict portions of the flange removal tool in which the design is embodied that are not considered part of the claimed design.

1 Claim, 4 Drawing Sheets



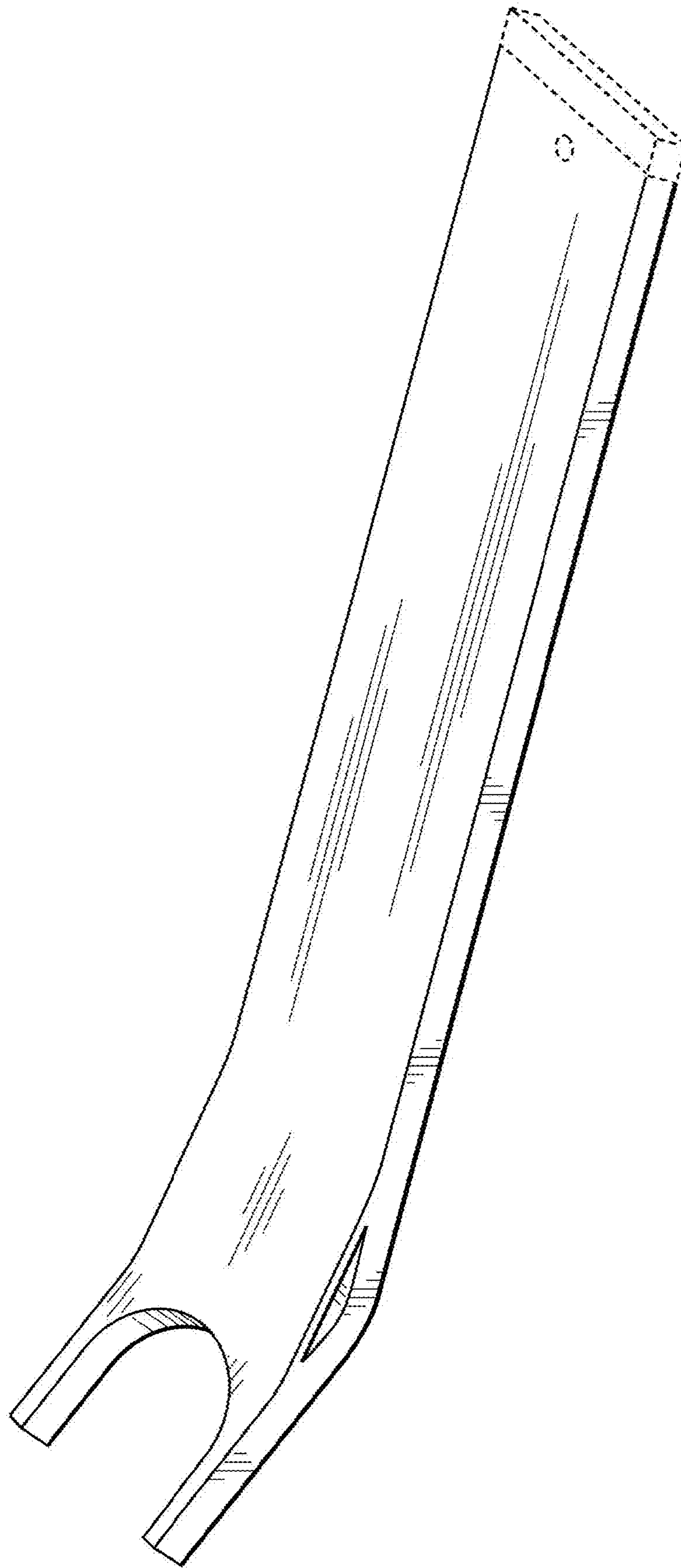


FIG. 1

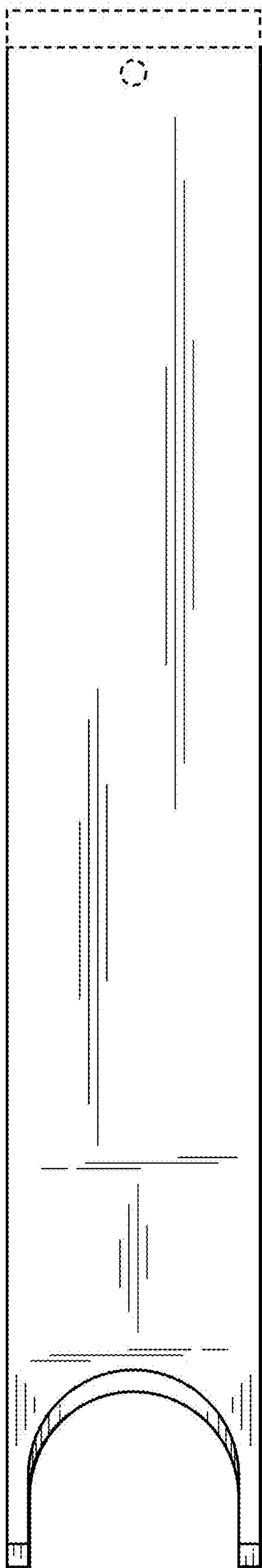


FIG. 2

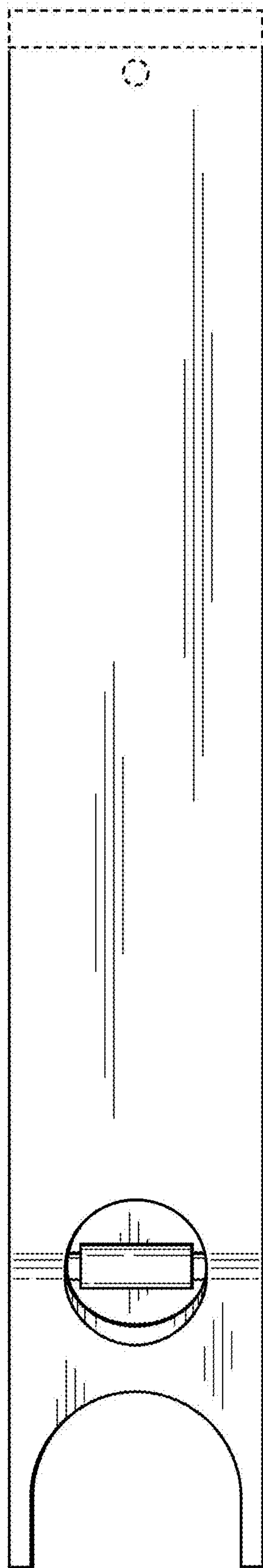


FIG. 3

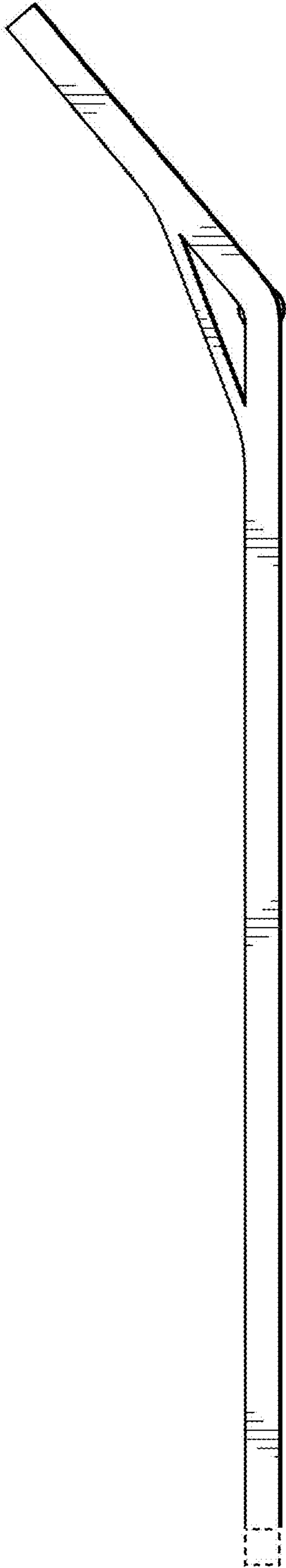


FIG. 4

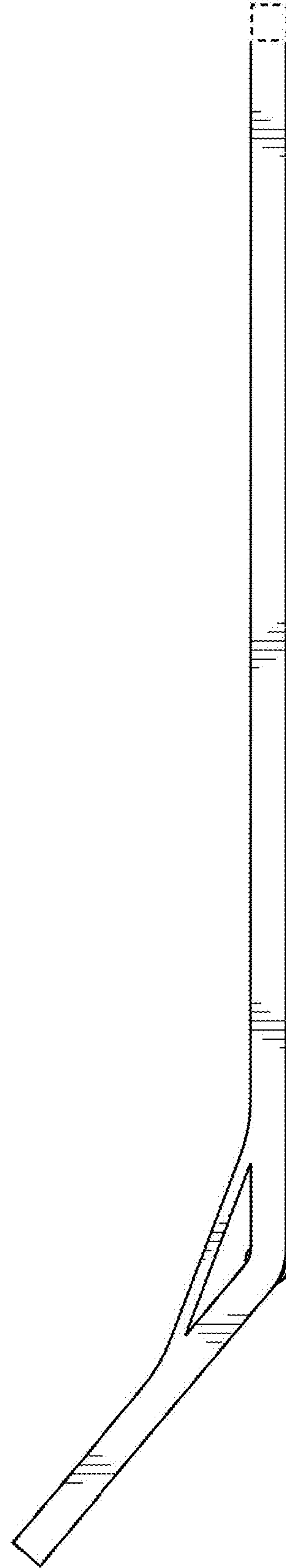


FIG. 5

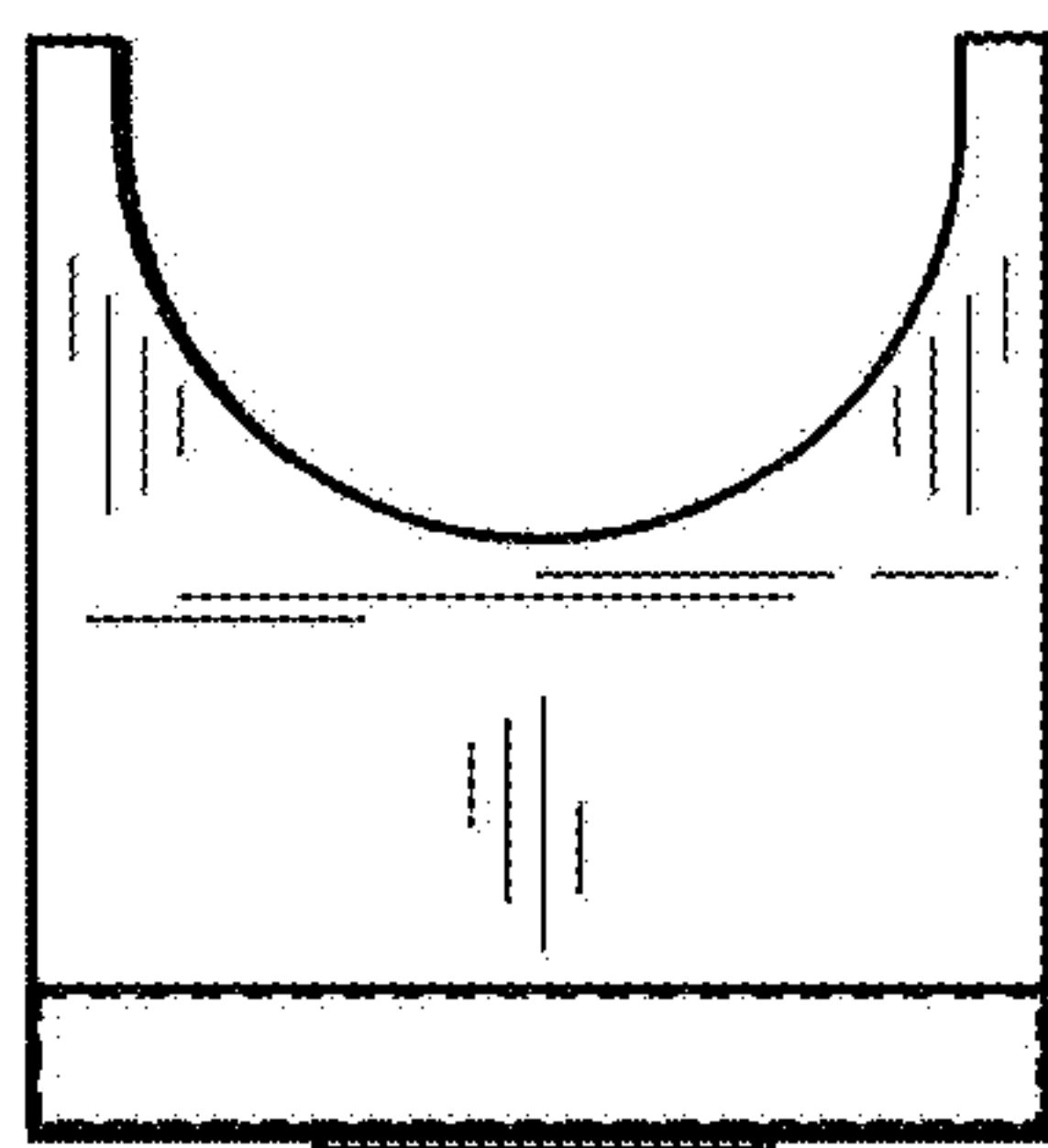


FIG. 6

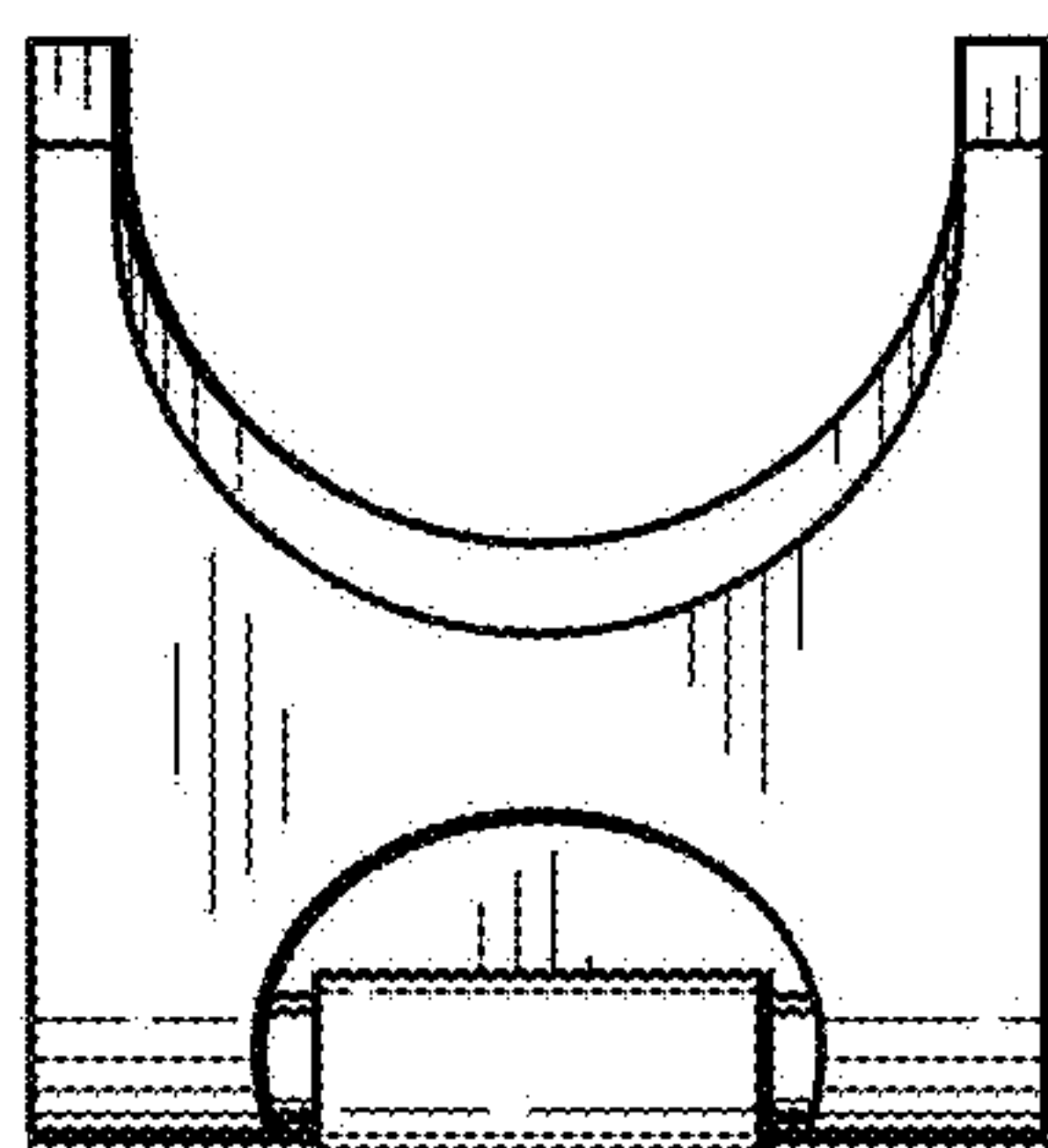


FIG. 7