



US00D922835S

(12) **United States Design Patent**  
**Cao**

(10) **Patent No.:** **US D922,835 S**

(45) **Date of Patent:** **\*\* Jun. 22, 2021**

(54) **SPOON**

(71) Applicant: **Junjie Cao**, Foshan (CN)

(72) Inventor: **Junjie Cao**, Foshan (CN)

(\*\*) Term: **15 Years**

(21) Appl. No.: **29/751,068**

(22) Filed: **Sep. 18, 2020**

(51) **LOC (13) Cl.** ..... **07-03**

(52) **U.S. Cl.**  
USPC ..... **D7/653; D7/660**

(58) **Field of Classification Search**  
USPC ..... D7/368, 401.2, 642-645, 653-664, 669,  
D7/675-677, 683, 688-689, 691;  
D8/107, 300-301; D21/525, 576,  
D21/606-609, 625-627; D22/117-118;  
D24/133, 194  
CPC ... A01D 9/02; A01D 9/04; A01D 9/06; A47G  
21/00; A47G 21/004; A47G 21/005;  
A47G 21/02; A47G 21/023; A47G 21/04;  
A47G 21/06; A47G 21/08; A47J 43/28;  
A47J 43/281; A47J 43/282; A61F 13/10;  
A61J 7/0023; A61J 7/0046; B25G 1/00;  
B25G 1/01; B25G 1/02; B25G 3/00;  
B65D 75/56; B65D 75/563; B65D  
75/566; B67B 7/00; B67B 7/724; B67B  
7/73

See application file for complete search history.

(56) **References Cited**

**U.S. PATENT DOCUMENTS**

D338,732 S \* 8/1993 Maradey-Collazo ..... D24/193  
D339,036 S \* 9/1993 McDaniel ..... D7/643  
6,134,790 A \* 10/2000 Watson ..... A47G 21/02  
30/295

D478,788 S 8/2003 Moore et al.  
D489,942 S 5/2004 Shane-Schuldt  
D491,420 S \* 6/2004 Shibata ..... D7/653  
D496,833 S \* 10/2004 Lantz ..... D7/653  
D641,595 S \* 7/2011 Matari ..... D7/653  
695,361 A1 \* 12/2013 Roehrig ..... D21/525  
D707,307 S \* 6/2014 Roehrig ..... D21/525  
D799,280 S \* 10/2017 Shalev ..... D7/653  
799,910 A1 \* 10/2017 Shalev ..... D7/653  
D838,368 S \* 1/2019 Rifani ..... D24/133  
D841,408 S 2/2019 Oyj  
D883,501 S \* 5/2020 Ghuman ..... D24/194  
2007/0203450 A1 \* 8/2007 Berry ..... A61J 7/0046  
604/77

**OTHER PUBLICATIONS**

Bumkins Utensils, Silicone Chewtensils. Latest Date reviewed on Amazon.com Sep. 28, 2019 <https://www.amazon.com/Bumkins-Silicone-Chewtensils-Training-Utensils/dp/B07NC3YCPZ/ref> (Year: 2019).\*

\* cited by examiner

*Primary Examiner* — Ricky Pham

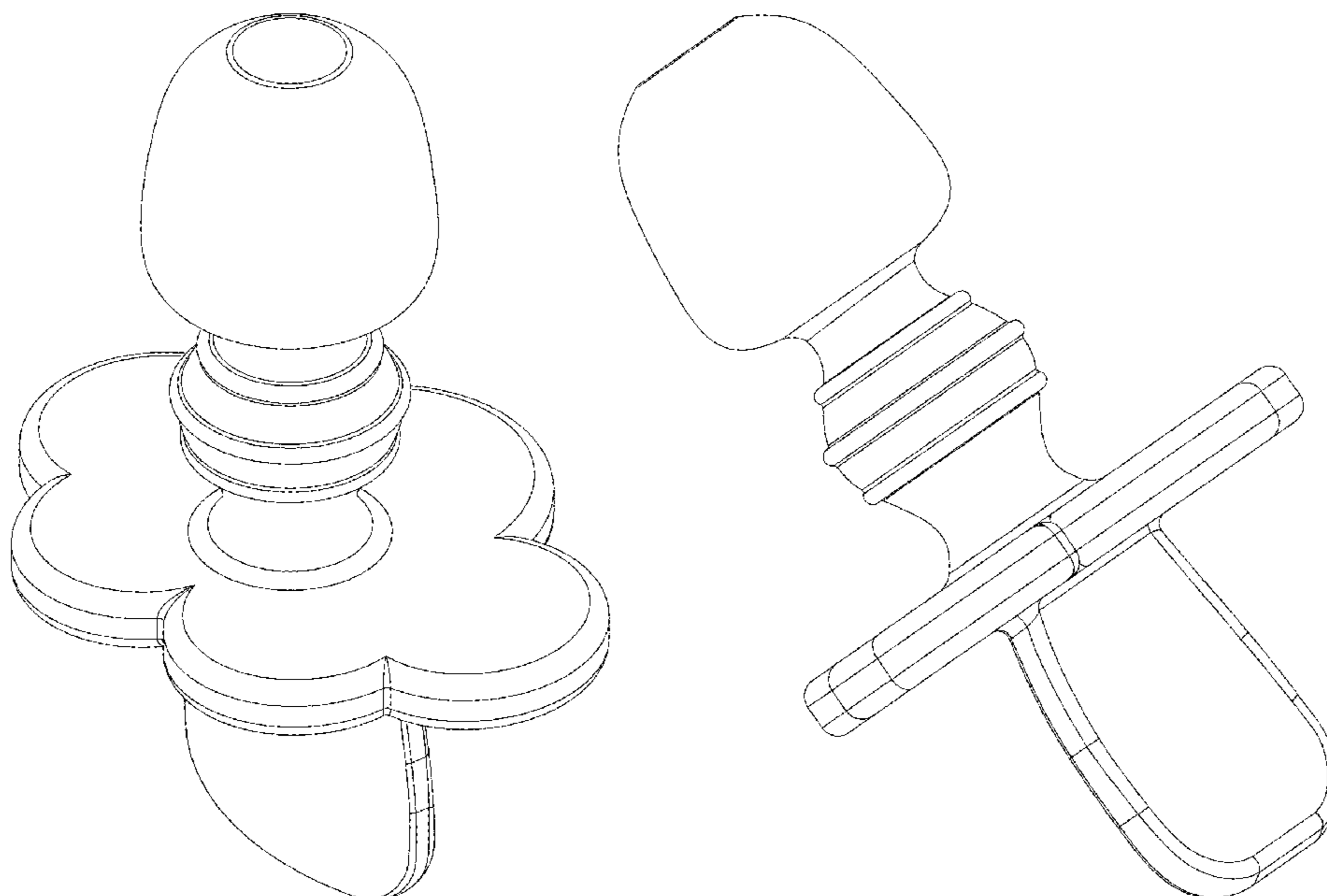
(57) **CLAIM**

The ornamental design for a spoon, as shown and described.

**DESCRIPTION**

FIG. 1 is a perspective view of a spoon showing my new design;  
FIG. 2 is another perspective view thereof;  
FIG. 3 is a front elevational view thereof;  
FIG. 4 is a rear elevational view thereof;  
FIG. 5 is a left side elevational view thereof;  
FIG. 6 is a right side elevational view thereof;  
FIG. 7 is a top plan view thereof; and,  
FIG. 8 is a bottom plan view thereof.

**1 Claim, 8 Drawing Sheets**



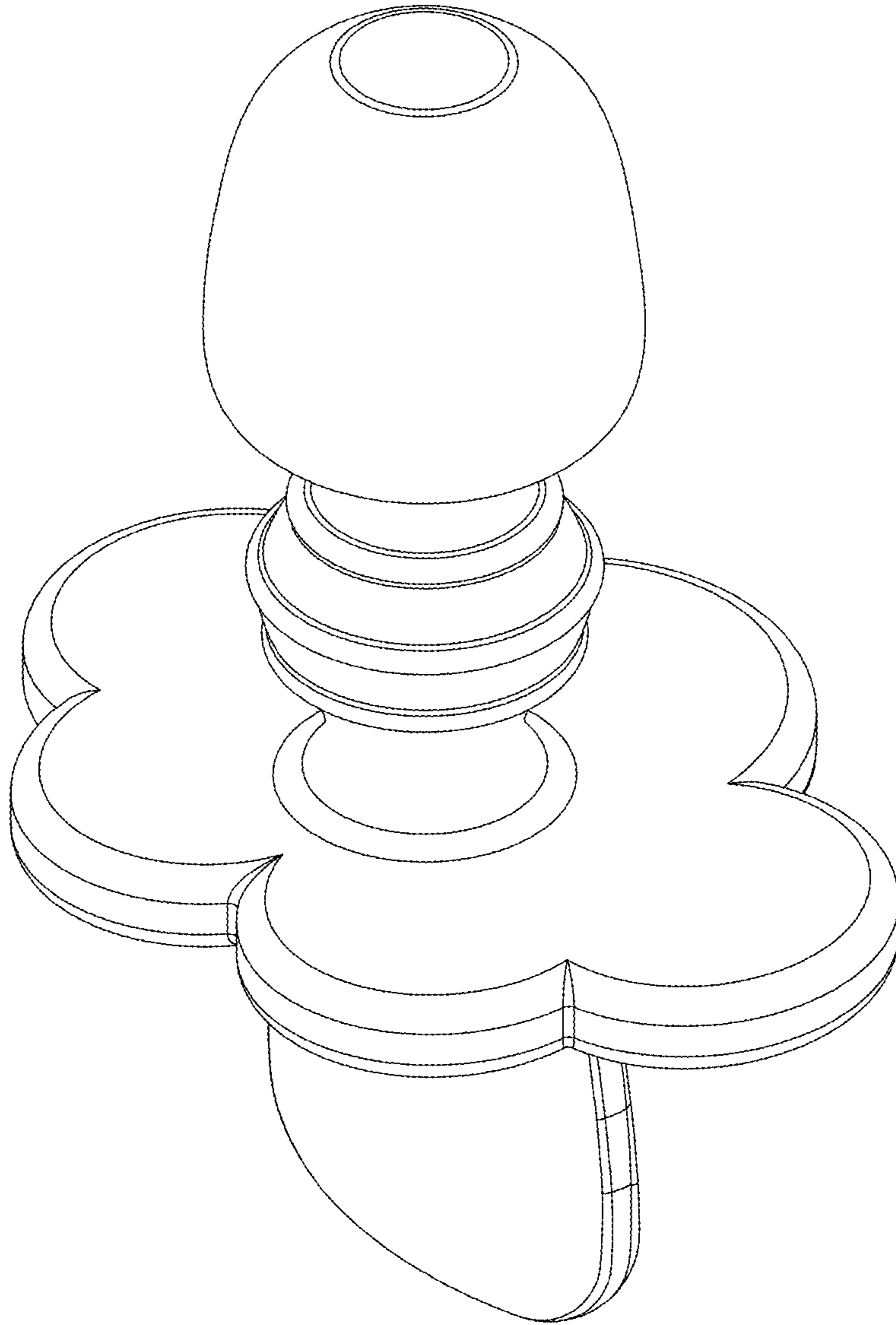


FIG. 1

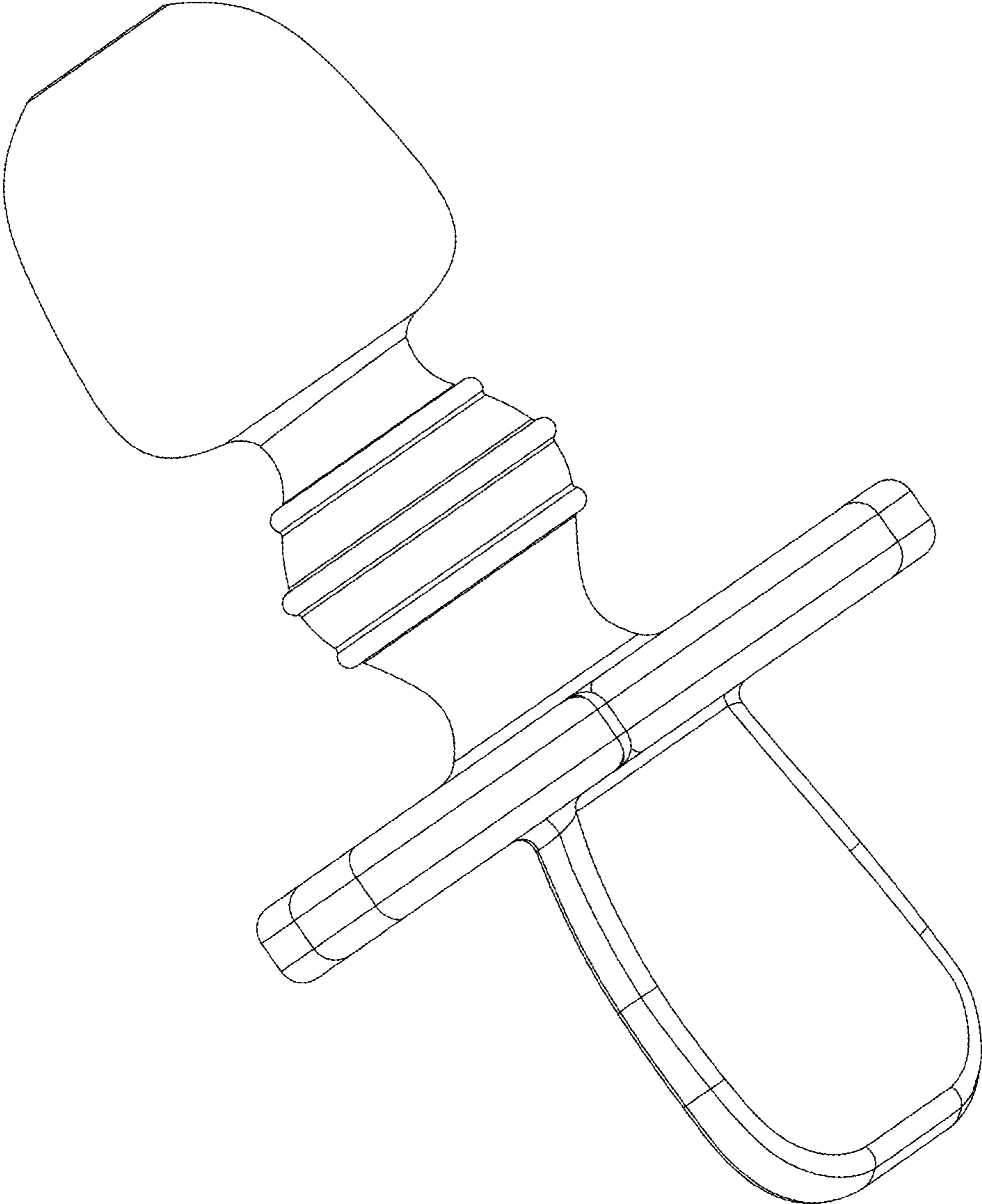


FIG. 2

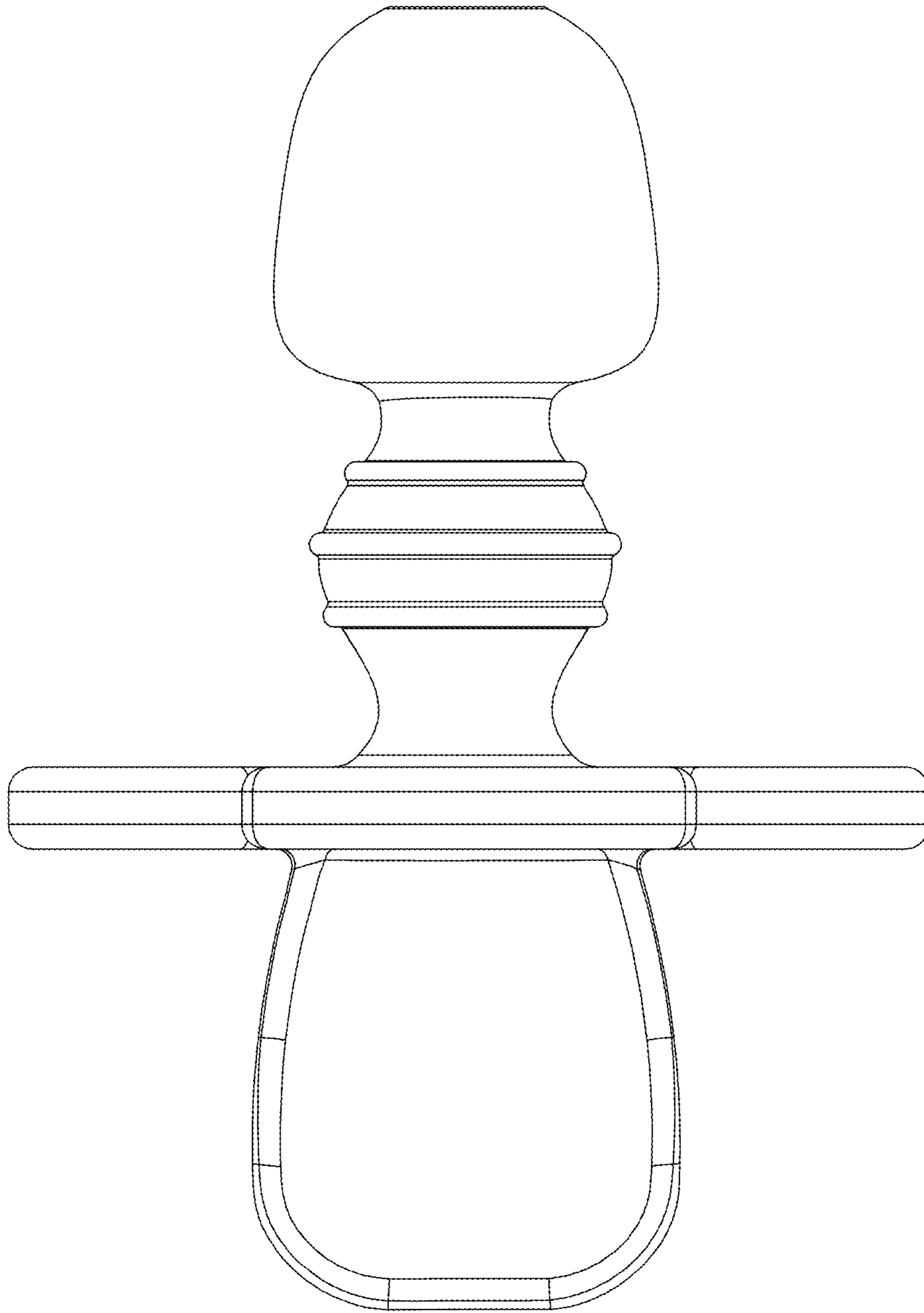


FIG. 3

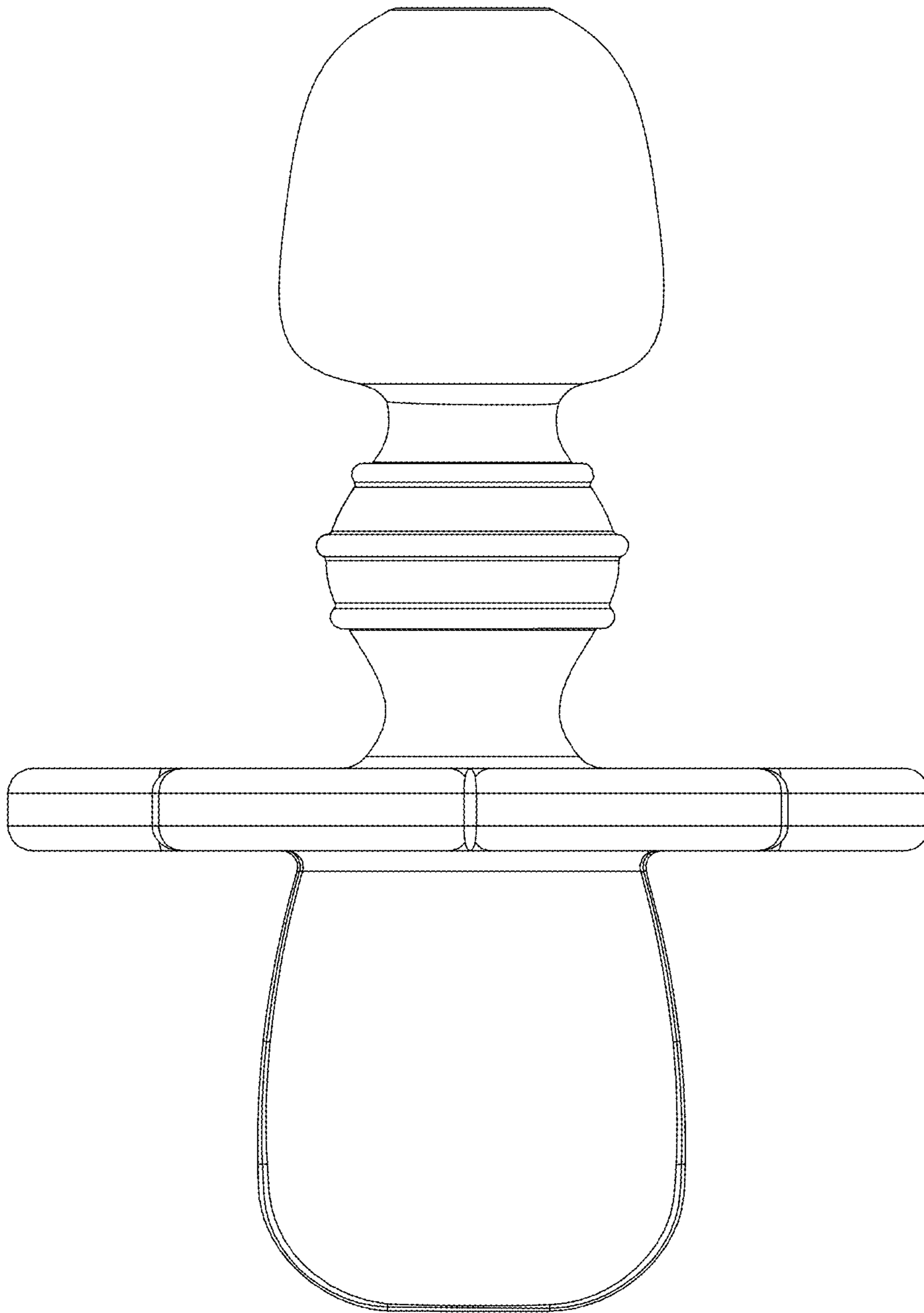


FIG. 4

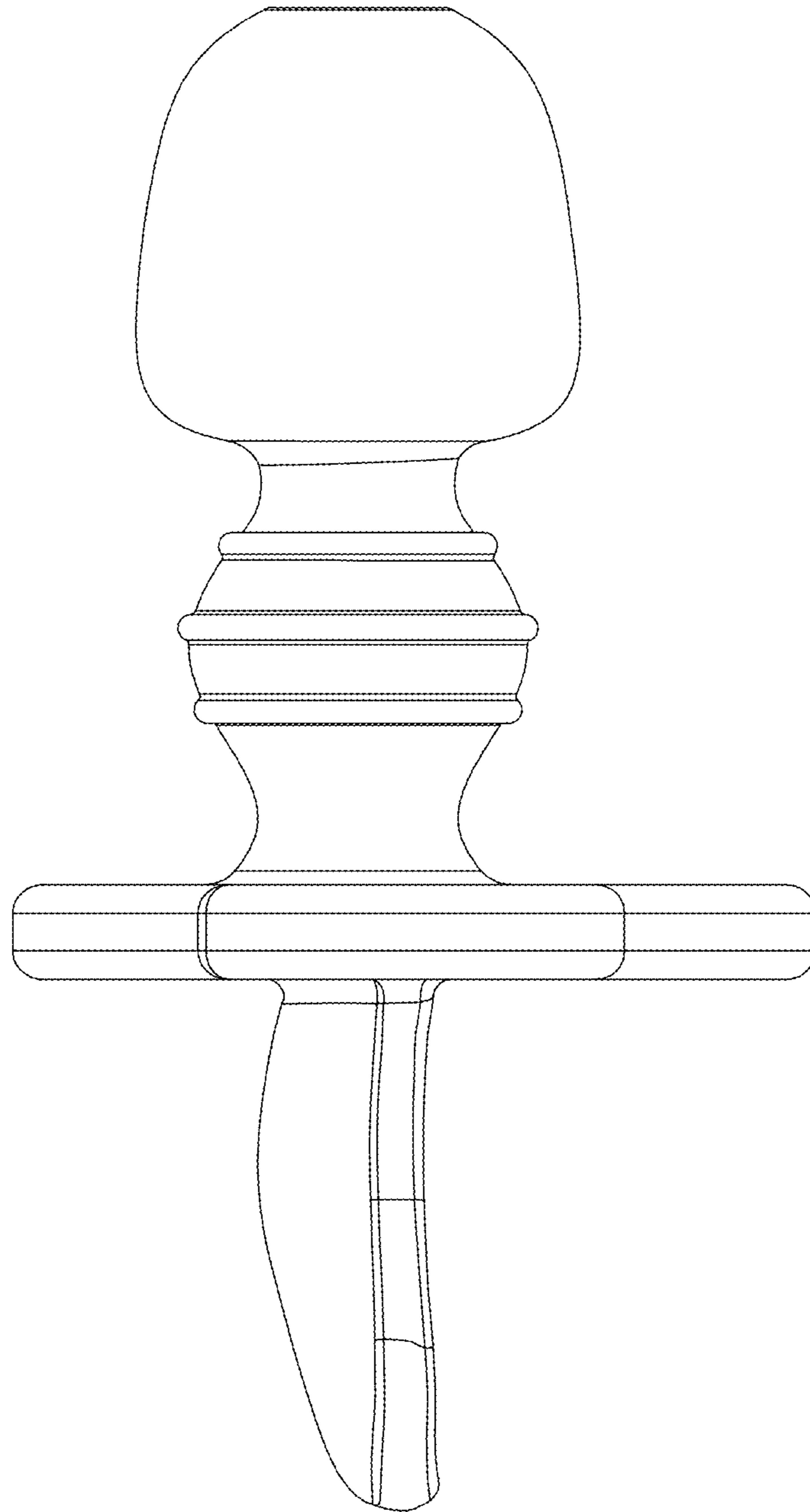


FIG. 5

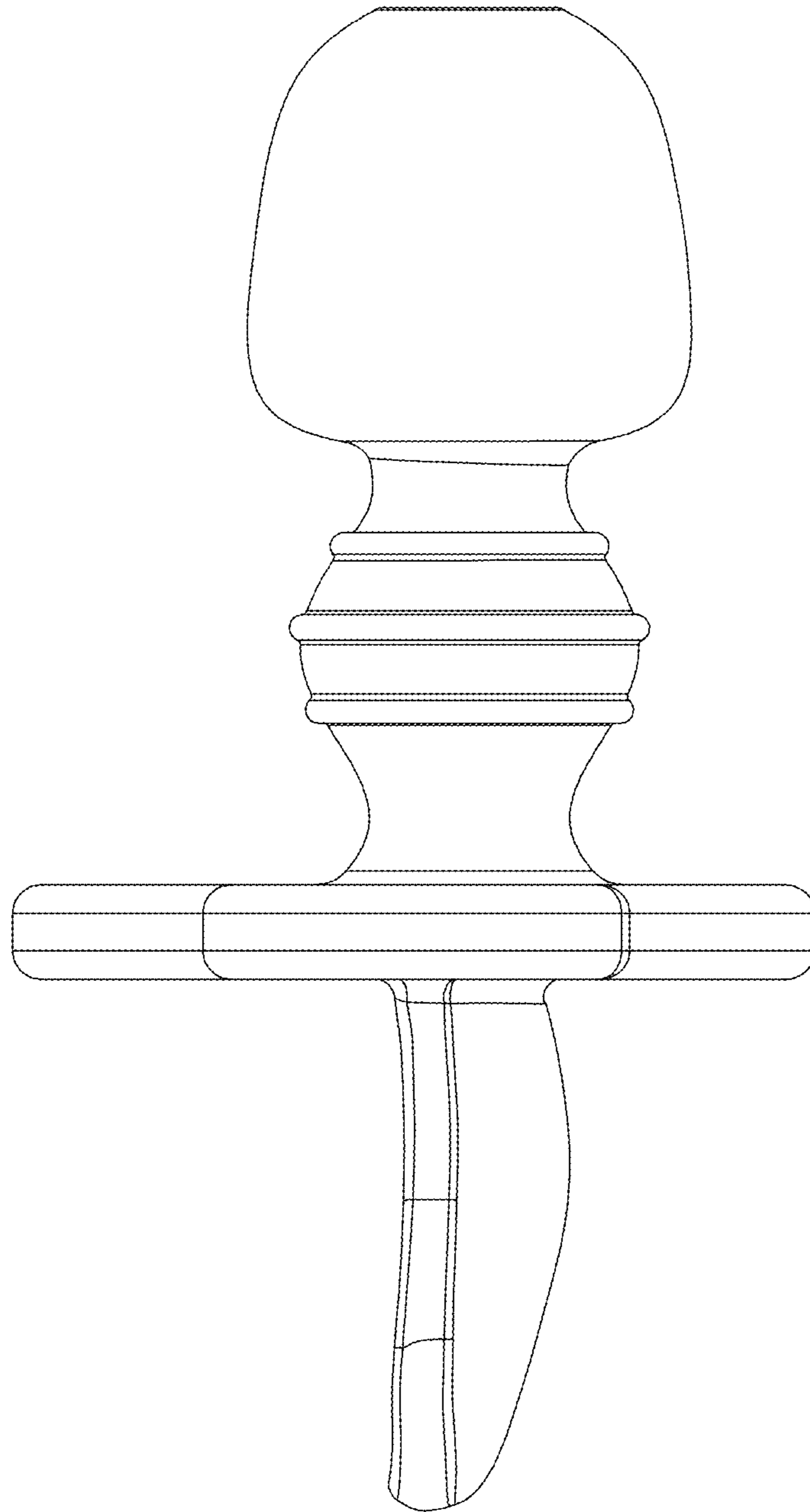


FIG. 6



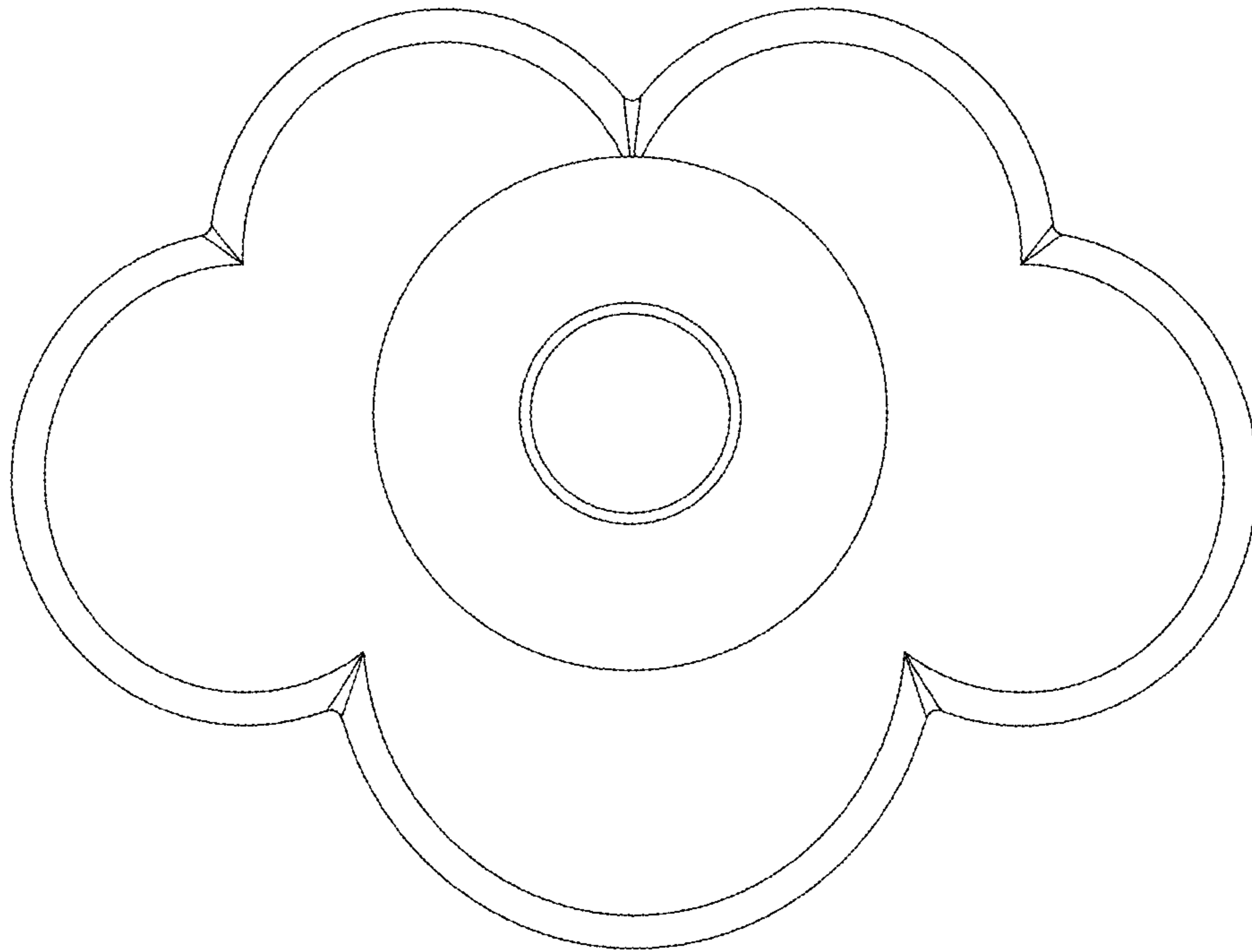


FIG. 7



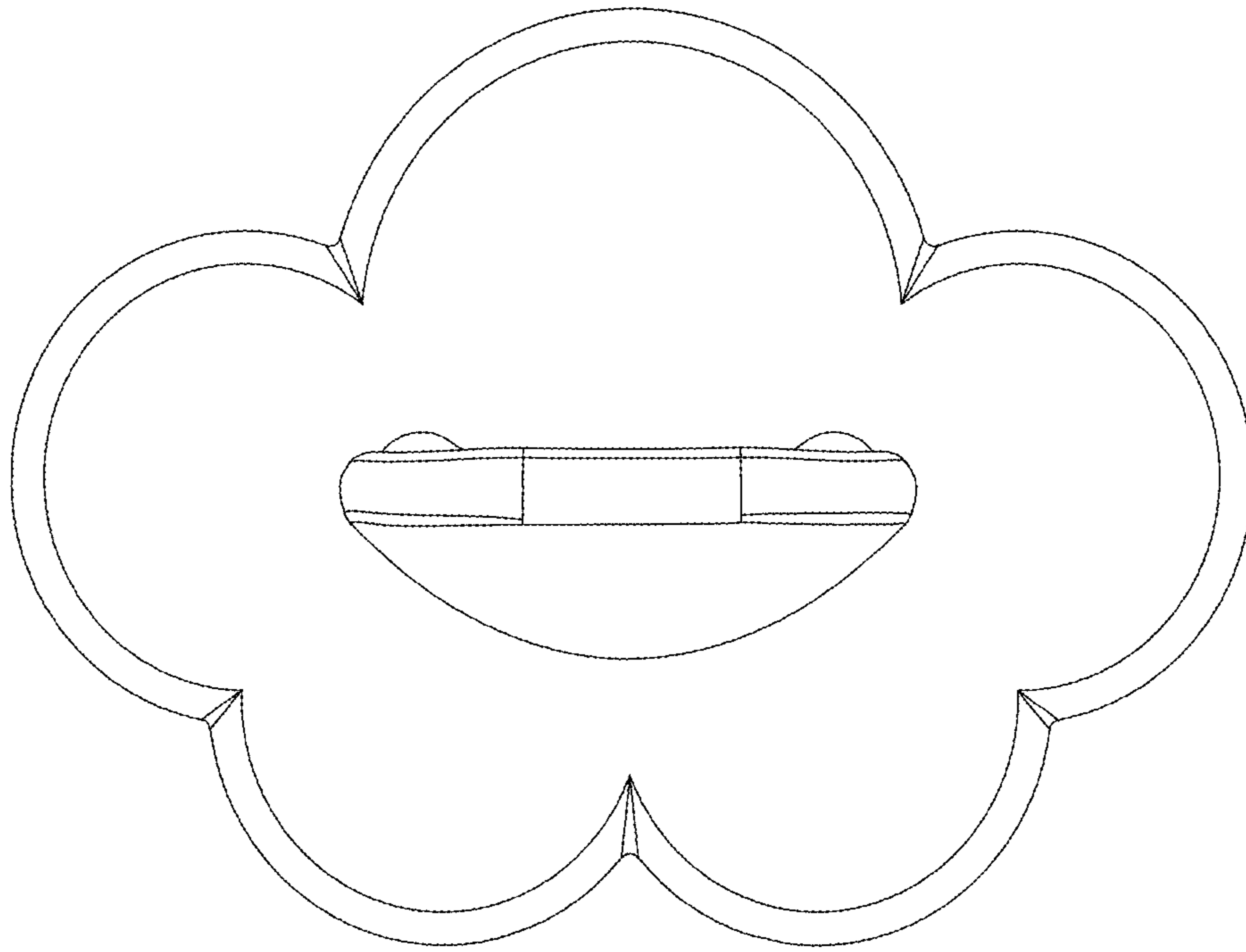


FIG. 8