



US00D922834S

(12) **United States Design Patent**  
**Schiavoni**

(10) **Patent No.:** **US D922,834 S**

(45) **Date of Patent:** **\*\* Jun. 22, 2021**

(54) **SPOON**  
(71) Applicant: **Mary E. Schiavoni**, Saco, ME (US)  
(72) Inventor: **Mary E. Schiavoni**, Saco, ME (US)  
(\*\*) Term: **15 Years**

6,863,681 B2 3/2005 Dickerson  
D522,658 S 6/2006 Schiavoni  
D565,738 S 4/2008 Rohrig  
D587,522 S \* 3/2009 Webb ..... D7/395  
(Continued)

(21) Appl. No.: **29/718,575**  
(22) Filed: **Dec. 26, 2019**  
(51) **LOC (13) Cl.** ..... **07-03**  
(52) **U.S. Cl.**  
USPC ..... **D7/653**  
(58) **Field of Classification Search**  
USPC ..... D7/642-645, 653; 30/115, 129, 134,  
30/136, 137, 142, 147, 148, 149, 150  
CPC ..... A47G 21/02; A47G 21/06; A47G 21/103;  
B26B 11/00; B26B 29/025  
See application file for complete search history.

**FOREIGN PATENT DOCUMENTS**

CN 201275285 Y 7/2009  
GB 2376410 A 12/2002  
WO 2014074123 A1 5/2014

**OTHER PUBLICATIONS**

“Cuchara sensorial (de The Makers of Chewy Tubes)” available Feb. 23, 2019, [online], [site visited Feb. 10, 2021]. Retrieved from Internet, URL: [https://www.amazon.com/-/es/Sensory-Spoon-Makers-Chewy-Tubes/dp/B07P1P4TH7/ref=cm\\_cr\\_arp\\_d\\_product\\_top?ie=UTF8](https://www.amazon.com/-/es/Sensory-Spoon-Makers-Chewy-Tubes/dp/B07P1P4TH7/ref=cm_cr_arp_d_product_top?ie=UTF8) (Year: 2019).\*

(Continued)

(56) **References Cited**

**U.S. PATENT DOCUMENTS**

58,186 A 9/1866 Bourguard  
D27,852 S 11/1897 Coakley et al.  
2,115,405 A 10/1936 Allen  
2,295,847 A 9/1942 Hume  
D136,206 S 8/1943 Allen  
2,612,165 A 9/1952 Szuderski  
D170,051 S 7/1953 Colm  
3,014,286 A 12/1961 Hricak  
3,818,911 A 6/1974 Fournier  
4,378,007 A \* 3/1983 Kachadourian ..... A61H 15/00  
482/79  
5,213,553 A 5/1993 Light  
5,318,523 A 6/1994 Lu  
5,395,392 A 3/1995 Suhonen  
5,735,772 A 4/1998 Schiavoni  
5,897,492 A 4/1999 Feller et al.  
6,134,790 A 10/2000 Watson  
6,325,817 B1 12/2001 Shen  
6,408,524 B1 \* 6/2002 Lai ..... A47G 21/02  
16/422  
D496,833 S 10/2004 Lantz

*Primary Examiner* — Michael C Stout  
*Assistant Examiner* — Katrina N Gonzalez  
(74) *Attorney, Agent, or Firm* — Thomas P. O’Connell;  
O’Connell Law Firm

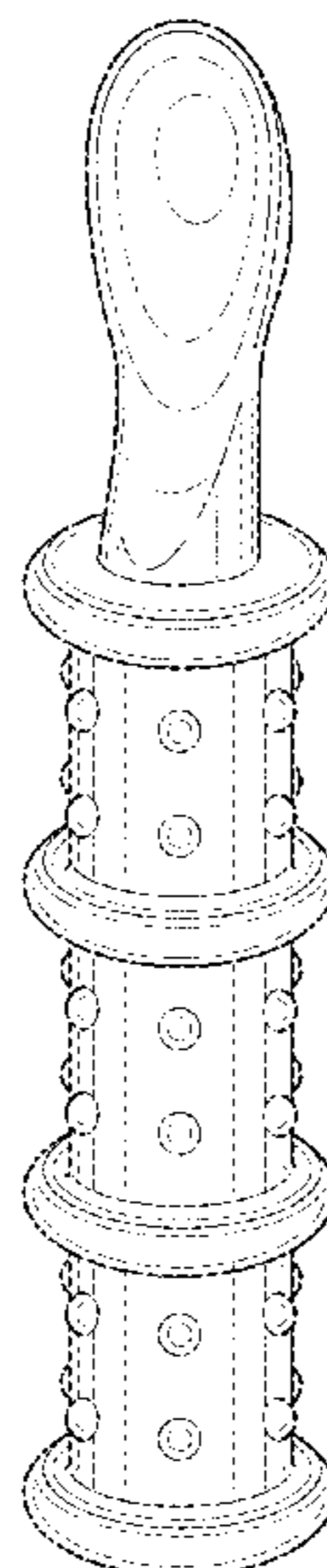
(57) **CLAIM**

The ornamental design for a spoon, as shown.

**DESCRIPTION**

FIG. 1 is a perspective view of a spoon showing my new design;  
FIG. 2 is a top plan view thereof;  
FIG. 3 is a bottom plan view thereof;  
FIG. 4 is a left side elevation view thereof;  
FIG. 5 is a right side elevation view thereof;  
FIG. 6 is a rear elevation view thereof; and,  
FIG. 7 is a front elevation view thereof.

**1 Claim, 4 Drawing Sheets**



(56)

**References Cited**

U.S. PATENT DOCUMENTS

8,211,144	B2	7/2012	Rohrig	
D673,284	S	12/2012	Lowsky	
D682,435	S	5/2013	Lowsky, Jr.	
D682,436	S *	5/2013	Lowsky .....	D24/194
D737,915	S *	9/2015	Su .....	D21/756
D749,922	S	2/2016	Masalin et al.	
9,855,187	B2	1/2018	Martin et al.	
10,029,144	B2	7/2018	Noguchi et al.	
D834,896	S *	12/2018	Appelbaum .....	D7/653
D899,888	S *	10/2020	Xu .....	D8/303
2004/0194322	A1	10/2004	Bullard et al.	
2004/0215234	A1	10/2004	McCardell	
2005/0091854	A1	5/2005	Johnson	
2007/0079514	A1 *	4/2007	Currie .....	A47G 21/02 30/324
2007/0112386	A1	5/2007	Branam	
2011/0106156	A1	5/2011	Arbib	
2011/0214300	A1	9/2011	Matari	

OTHER PUBLICATIONS

“Sensory Spoon (Self-Feeding) \_ Chewy Tubes” available Sep. 19, 2020, [online], [site visited Feb. 10, 2021]. Retrieved from Internet, URL:<https://web.archive.org/web/20200919021144/https://store.chewytubes.com/products/sensory-spoon-self-feeding> (Year: 2020).\*

\* cited by examiner

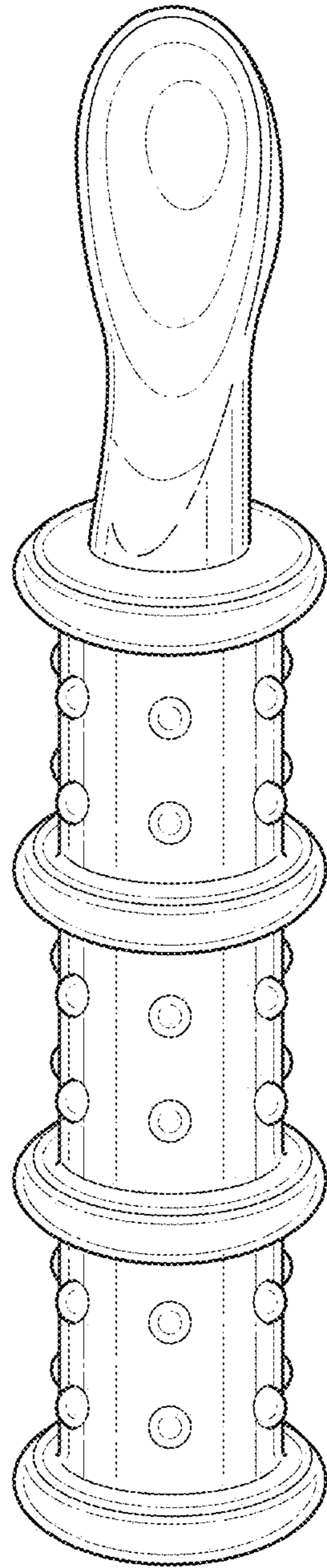
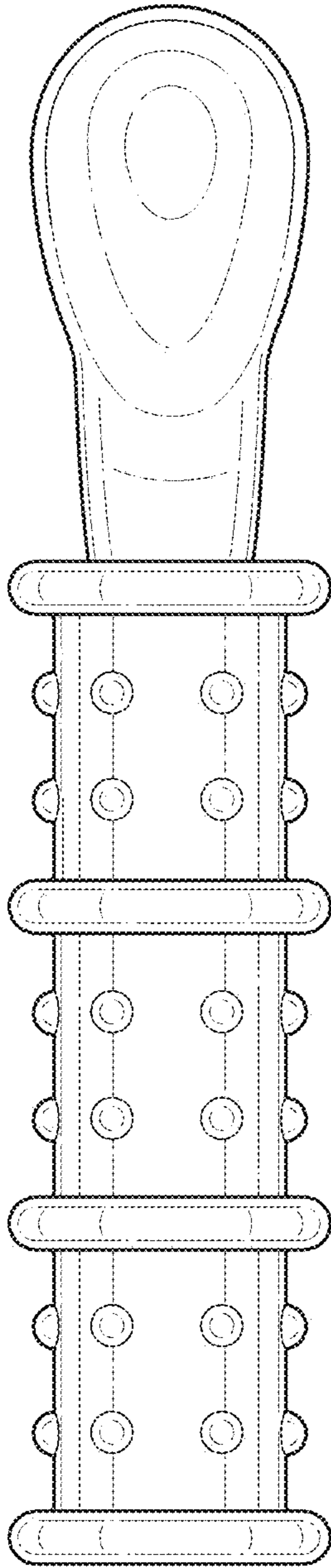
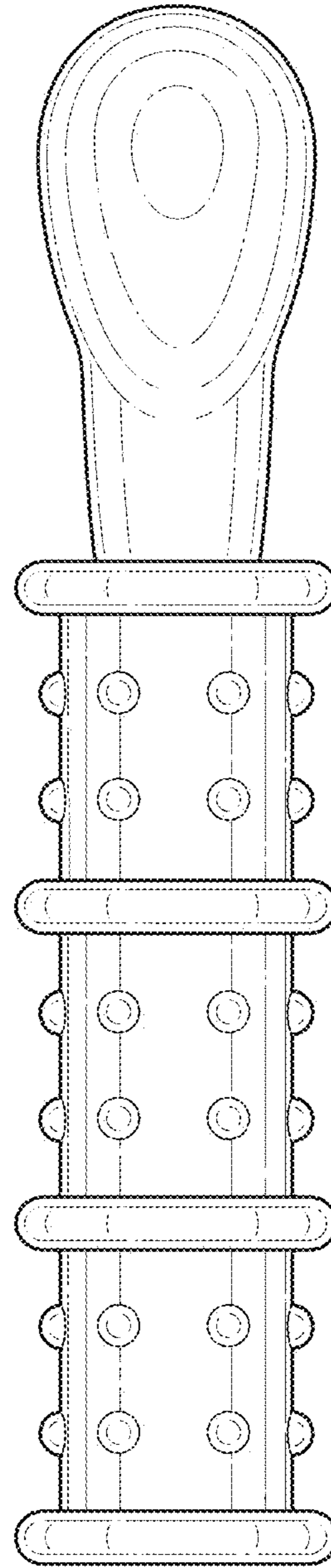


FIG. 1



**FIG. 2**



**FIG. 3**

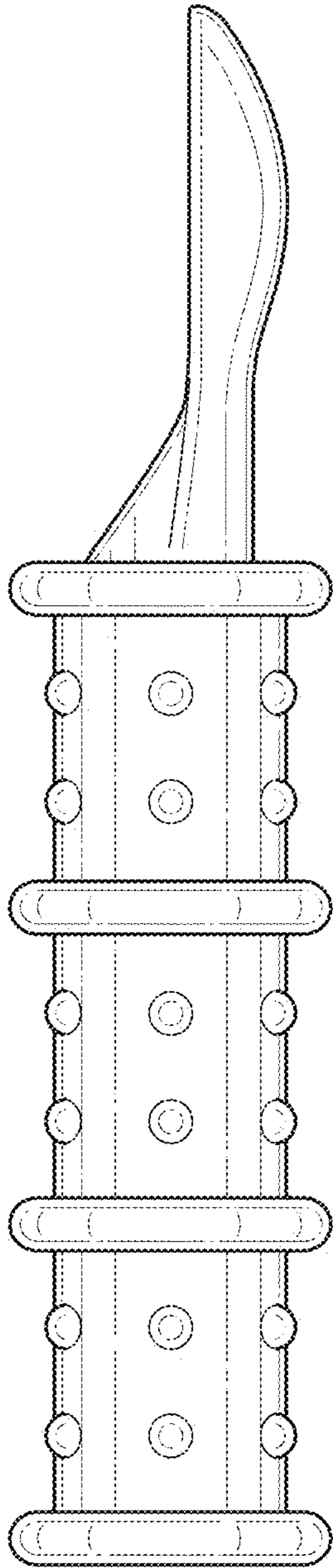


FIG. 4

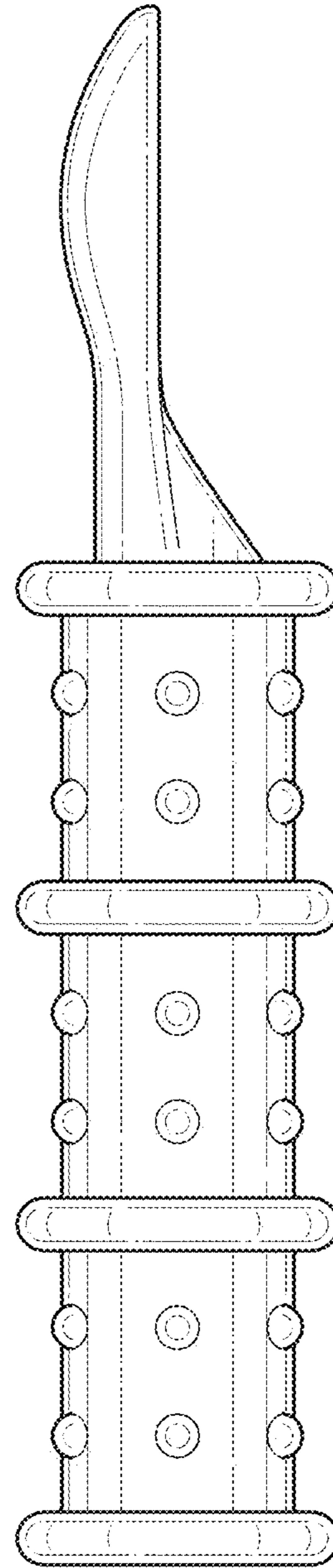
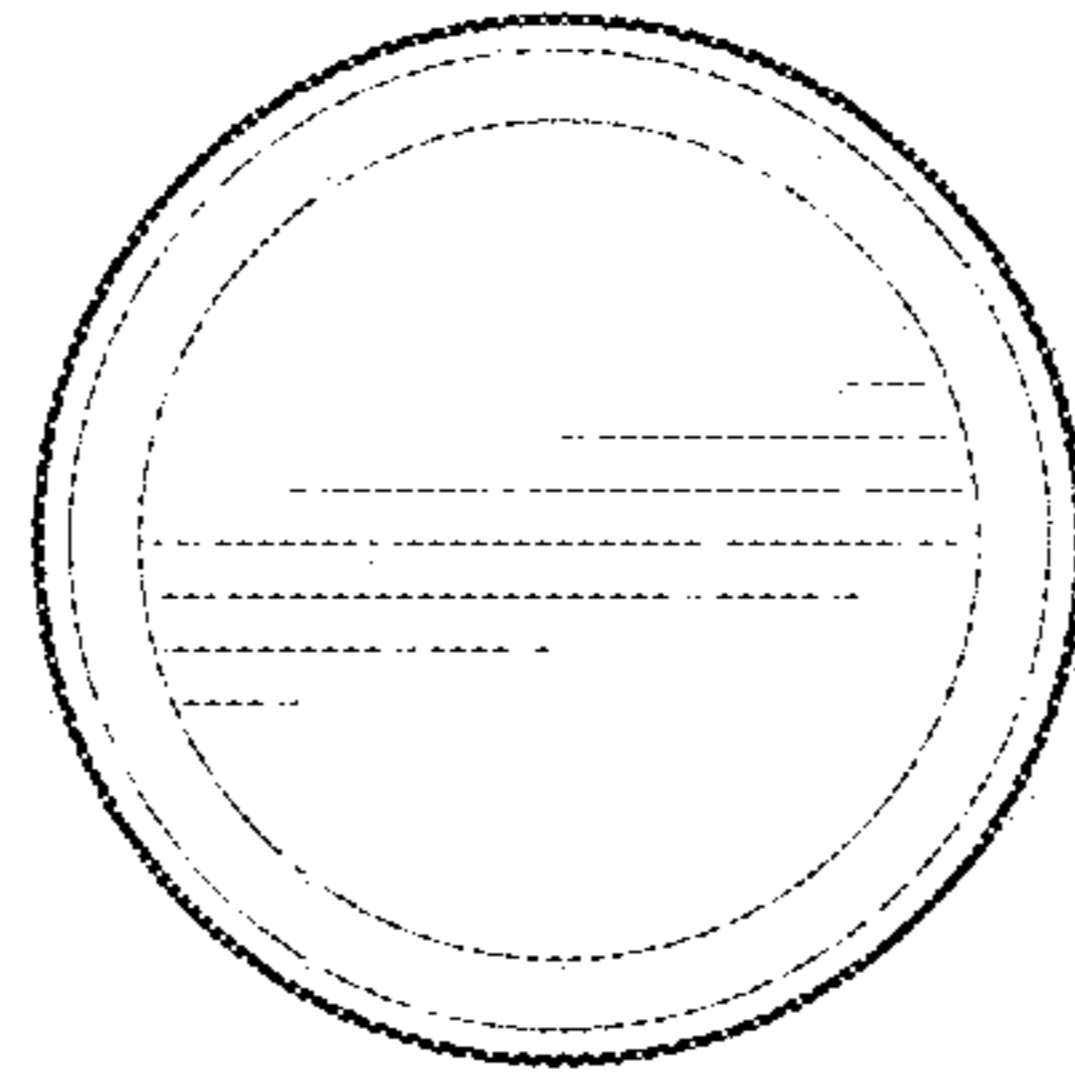
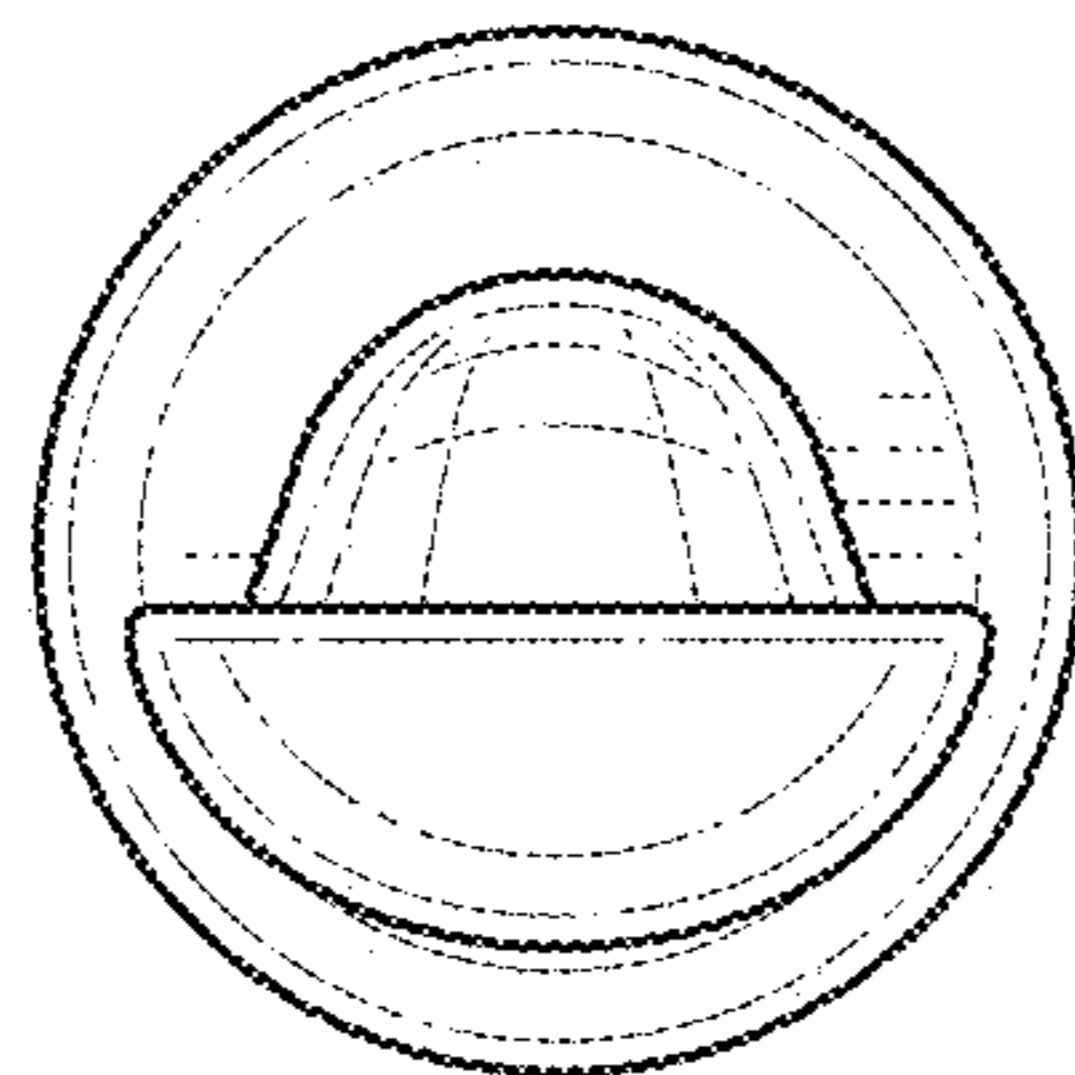


FIG. 5



**FIG. 6**



**FIG. 7**