



US00D922833S

(12) **United States Design Patent** (10) **Patent No.:** **US D922,833 S**
Roth (45) **Date of Patent:** **** Jun. 22, 2021**

(54) **KNIFE**

(71) Applicant: **Utica Cutlery Company**, Utica, NY (US)

(72) Inventor: **Jason Roth**, Rome, NY (US)

(73) Assignee: **Utica Cutlery Company**, Utica, NY (US)

(**) Term: **15 Years**

(21) Appl. No.: **29/703,705**

(22) Filed: **Aug. 29, 2019**

(51) **LOC (13) Cl.** **07-03**

(52) **U.S. Cl.**
 USPC **D7/649**; D7/401.2

(58) **Field of Classification Search**
 USPC D7/393-395, 401, 401.2, 642-652, 693, D7/695-696; D8/93, 97-100, 107, 300, D8/321; D22/117-118
 CPC A01B 1/20; A01B 1/22; A22C 25/006; A47G 21/06; A47G 21/065; A61B 17/3211; A61B 17/3213; B21D 53/64; B25G 3/36; B26B 1/00; B26B 1/02; B26B 1/046; B26B 1/048; B26B 1/08; B26B 1/10; B26B 3/00; B26B 3/02; B26B 3/03; B26B 3/04; B26B 3/06; B26B 5/00; B26B 5/001; B26B 5/007; B26B 7/00; B26B 7/005; B26B 9/00; B26B 9/02; B26B 11/00; B26B 11/006; B26B 17/00; B26B 17/006; B26B 29/02
 See application file for complete search history.

(56) **References Cited**

U.S. PATENT DOCUMENTS

D76,520 S *	10/1928	Brown	D8/99
2,479,855 A *	8/1949	Mirando	B26B 1/10 30/164
D182,827 S *	5/1958	Latham	D7/652
D187,589 S *	4/1960	Prip	D7/649
D356,723 S *	3/1995	Sakai	D8/99
D378,982 S *	4/1997	Thompson	D22/118
D461,104 S *	8/2002	Hasegawa	D7/649
D470,021 S *	2/2003	Jalet	D7/649
D483,991 S *	12/2003	Poupel	D7/401.2
D487,379 S *	3/2004	Porsche	D7/401.2
D496,562 S *	9/2004	Achenbach	D7/650
D712,207 S *	9/2014	Donovan	D7/651

* cited by examiner

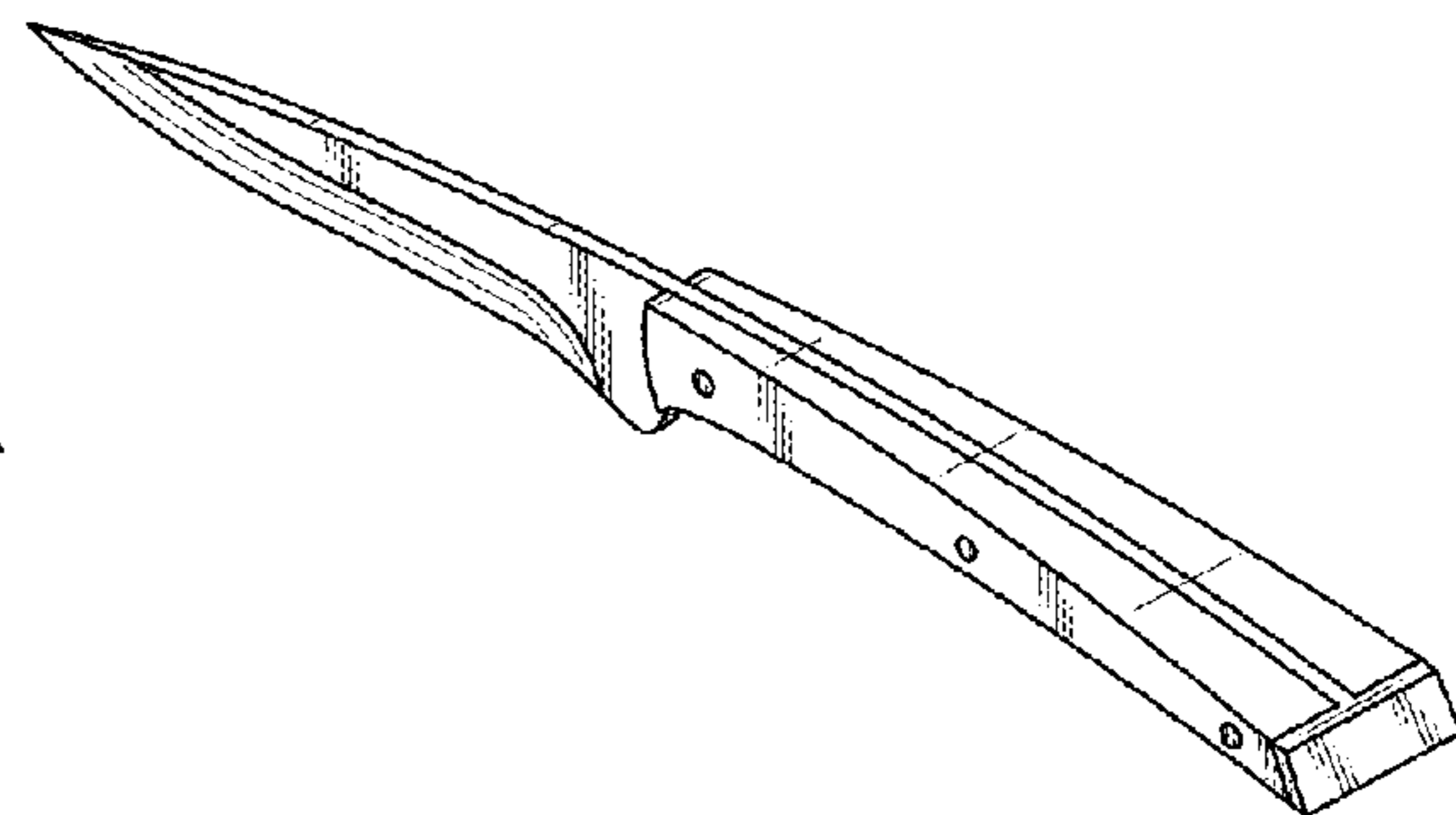
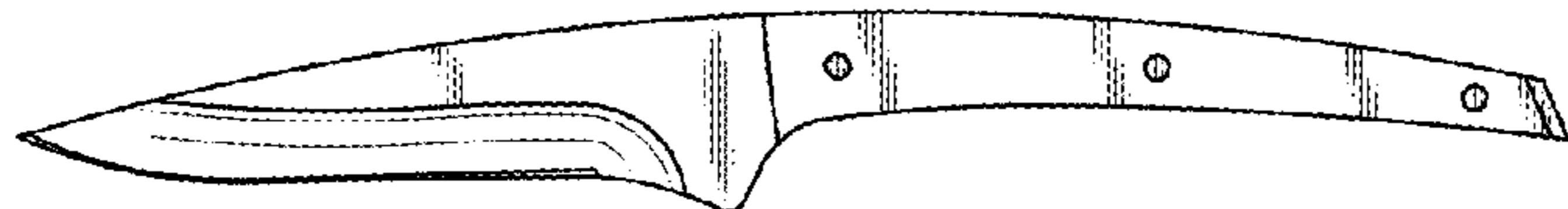
Primary Examiner — Ricky Pham
 (74) *Attorney, Agent, or Firm* — Harris Beach PLLC

(57) **CLAIM**
 The ornamental design for a knife, as shown and described.

DESCRIPTION

FIG. 1 is a top plan view of the knife illustrating my new design;
 FIG. 2 is a left side elevational view thereof, the right side elevational view is a mirror image thereof;
 FIG. 3 is a bottom plan view thereof;
 FIG. 4 is a perspective view thereof;
 FIG. 5 is a right end elevational view thereof; and,
 FIG. 6 is a left end elevational view thereof.

1 Claim, 2 Drawing Sheets



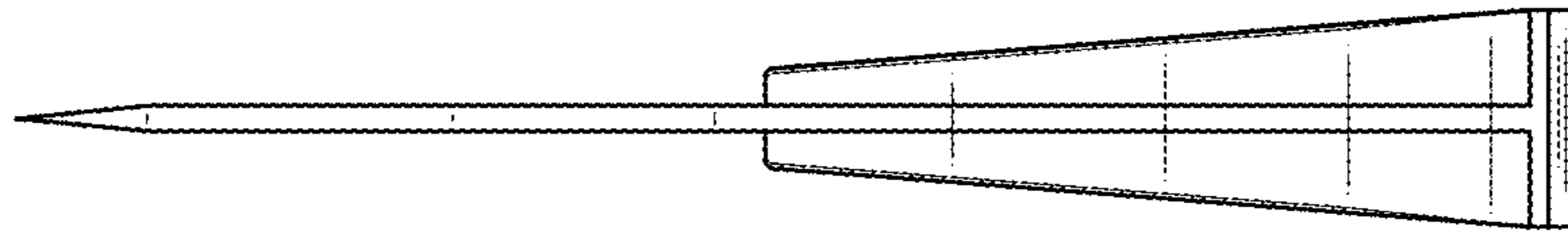


FIG.1

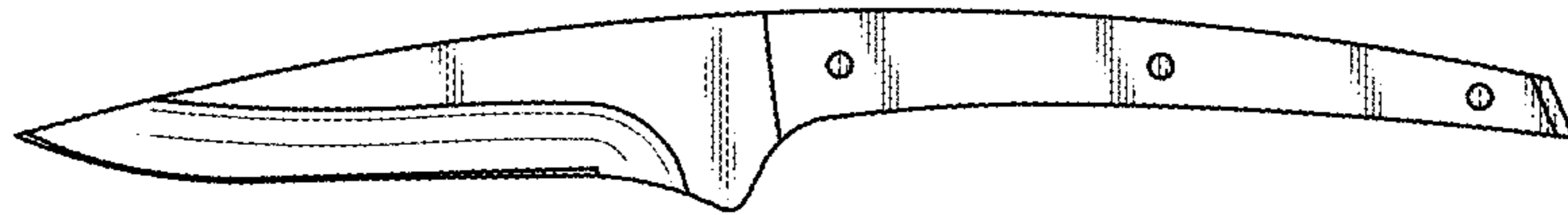


FIG.2

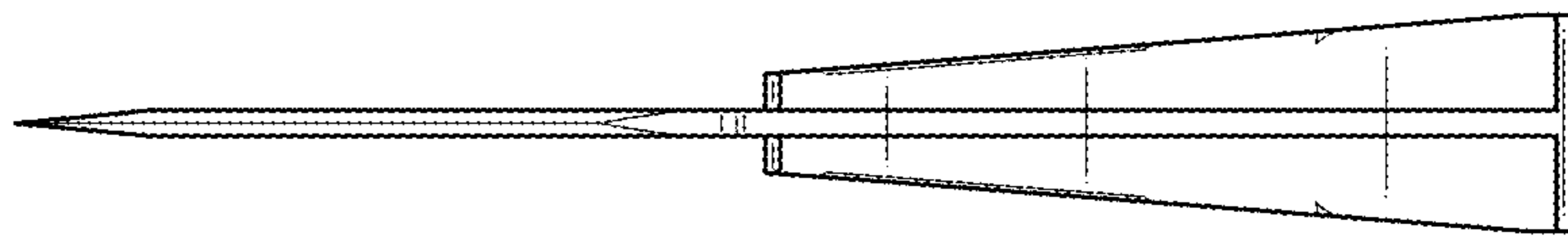


FIG.3

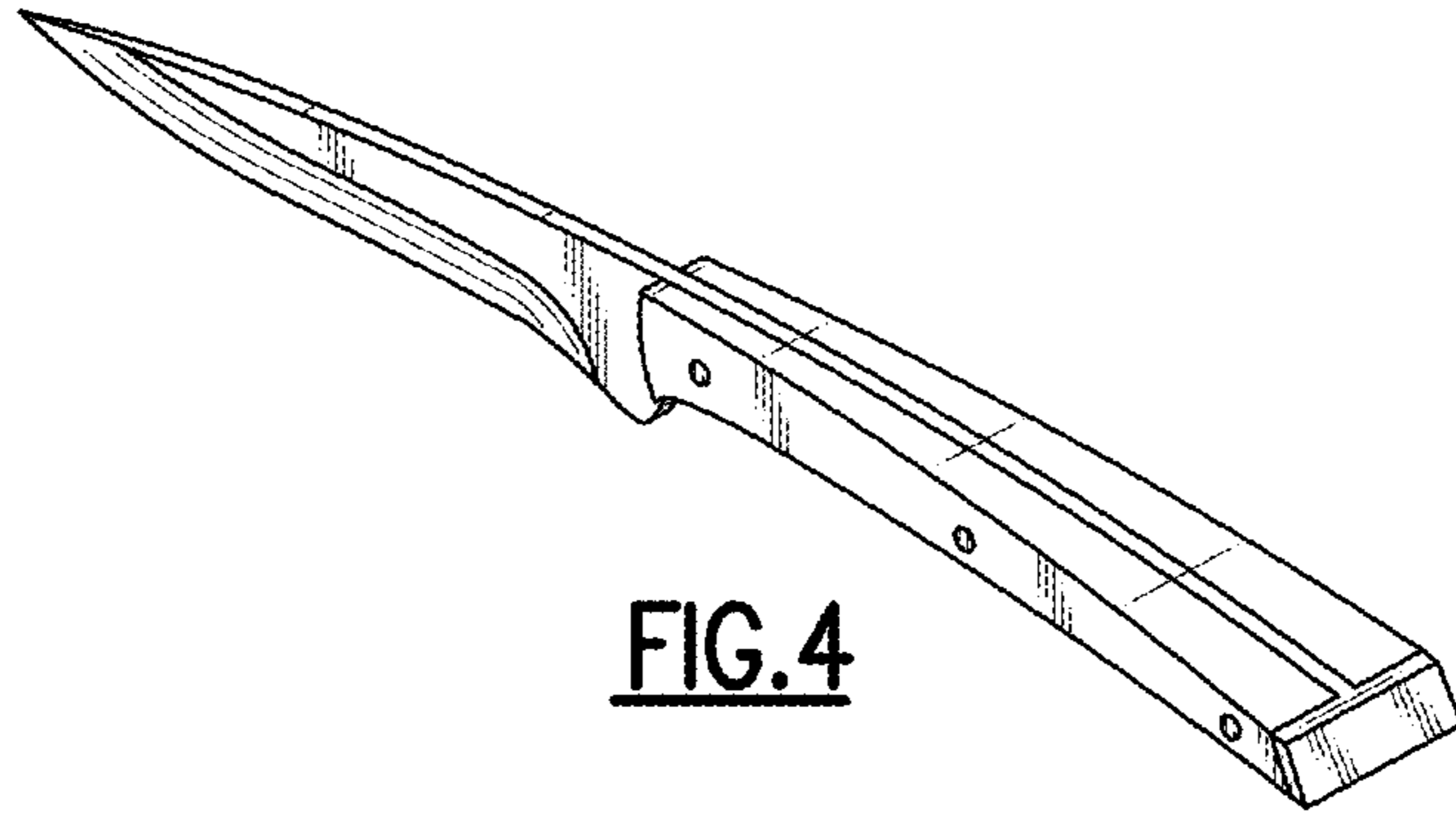


FIG. 4

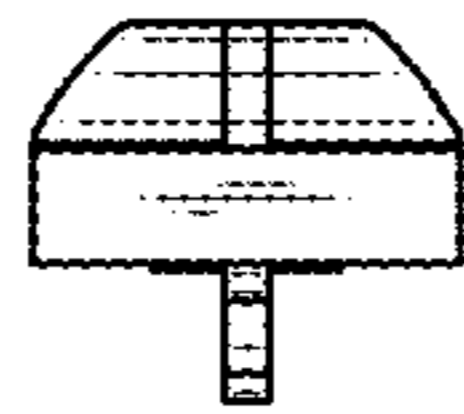


FIG. 5

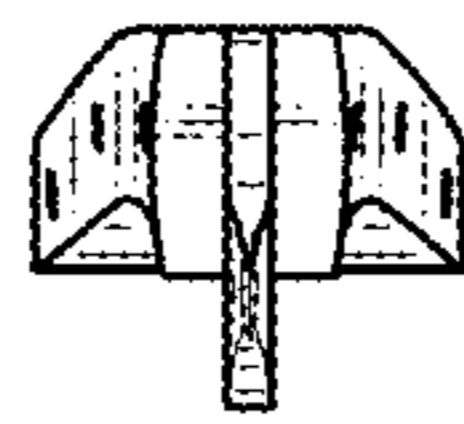


FIG. 6