



US00D922832S

(12) **United States Design Patent**  
**Vickroy**

(10) **Patent No.:** **US D922,832 S**

(45) **Date of Patent:** **\*\* \*Jun. 22, 2021**

(54) **ANTI SPILL CUP HOLDER DRINK  
COASTER**

(71) Applicant: **Tyler Vickroy**, Yorkville, IL (US)

(72) Inventor: **Tyler Vickroy**, Yorkville, IL (US)

(73) Assignee: **Davro Design LLC**, Westwood, NJ  
(US)

(\*) Notice: This patent is subject to a terminal disclaimer.

(\*\*) Term: **15 Years**

(21) Appl. No.: **29/633,221**

(22) Filed: **Jan. 12, 2018**

(51) **LOC (13) Cl.** ..... **07-06**

(52) **U.S. Cl.**  
USPC ..... **D7/624.2**

(58) **Field of Classification Search**  
USPC ..... D7/619.1-625; D12/419, 420  
CPC ..... A47G 23/0216; A47G 23/0258; A47G  
23/0266; B60N 3/103; B60N 3/102;  
A47B 73/002; A47B 73/00; A47B  
73/004; A47B 73/006; A47B 73/008;  
A47B 55/00; A47B 69/00; B65D 81/18;  
B65D 81/3876; B65D 81/3886

See application file for complete search history.

(56) **References Cited**

**U.S. PATENT DOCUMENTS**

- 2,784,577 A \* 3/1957 Beaham ..... A47G 23/0216  
248/146
- 4,726,553 A \* 2/1988 Wischusen, III .. A47G 23/0216  
215/393
- 5,088,673 A \* 2/1992 Chandler ..... B60N 3/103  
215/386

- D332,891 S \* 2/1993 Cumberland ..... D12/419
- D342,866 S \* 1/1994 Lee ..... D7/608
- 5,285,953 A \* 2/1994 Smith ..... B60N 3/103  
220/737
- D370,392 S \* 6/1996 Flanagan ..... D7/619.1
- D397,915 S \* 9/1998 McNaughton ..... D7/619.1
- D400,763 S \* 11/1998 Taylor ..... D7/619.1
- D440,469 S \* 4/2001 Krist ..... D7/619.1
- 6,543,637 B1 \* 4/2003 Osborn ..... A47G 23/0216  
220/737
- D622,108 S \* 8/2010 McKnight ..... D7/619.1
- 8,061,670 B1 \* 11/2011 White ..... B60R 11/02  
248/311.2
- D675,882 S \* 2/2013 Crockett ..... D7/619.1

\* cited by examiner

*Primary Examiner* — Terry A Wallace

(74) *Attorney, Agent, or Firm* — Scott H. Kaliko, Esq;  
Kaliko & Associates, LLC

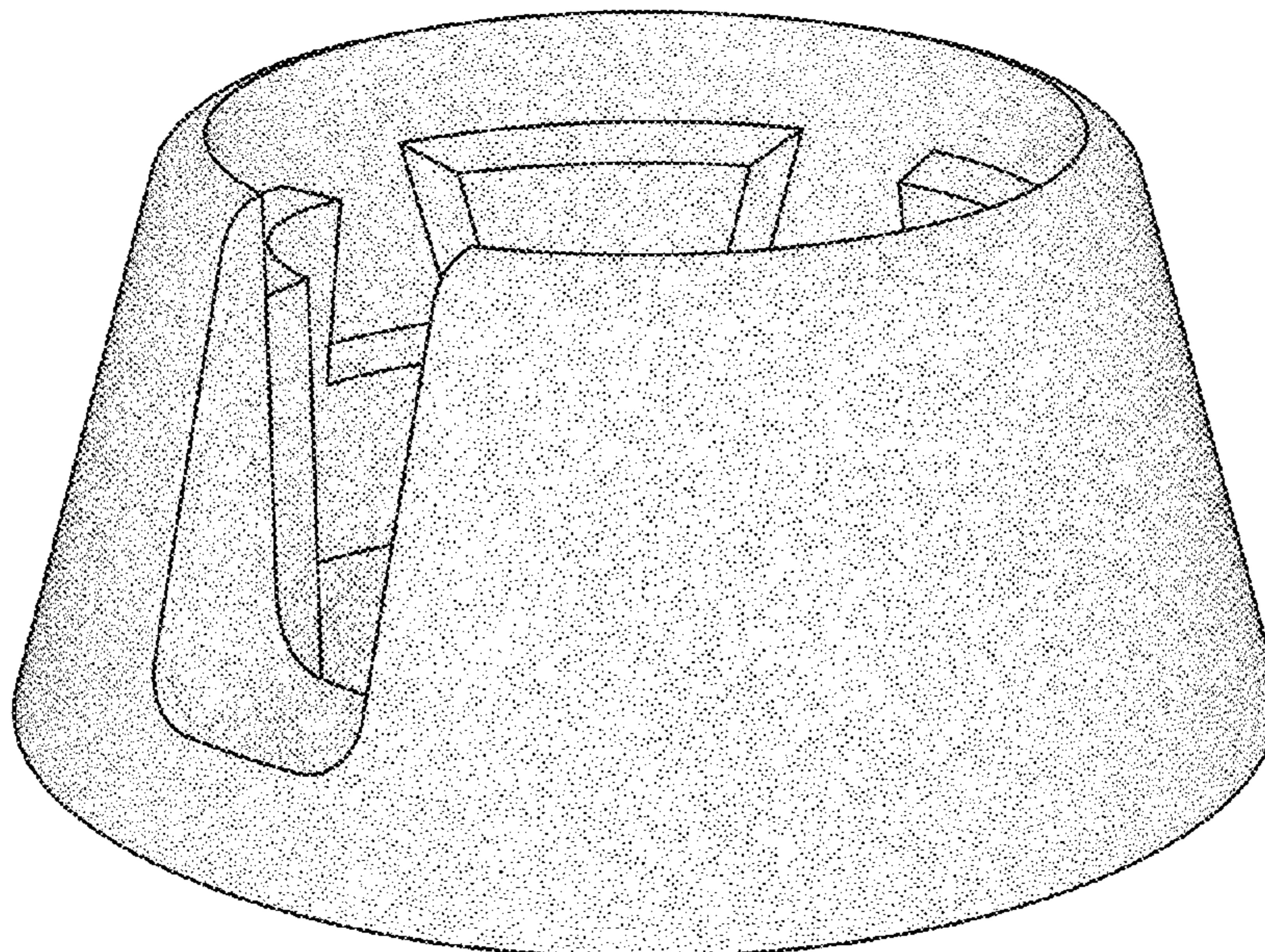
(57) **CLAIM**

The ornamental design for a anti spill cup holder drink coaster, as shown and described.

**DESCRIPTION**

FIG. 1 is a perspective view of the anti spill cup holder drink coaster showing my new design.  
 FIG. 2 is a perspective view thereof.  
 FIG. 3 is a perspective view thereof.  
 FIG. 4 is a front view thereof.  
 FIG. 5 is a rear view thereof.  
 FIG. 6 is a left side view thereof.  
 FIG. 7 is a right side view thereof.  
 FIG. 8 is a top plan view thereof.  
 FIG. 9 is a bottom plan view thereof.  
 FIG. 10 is an exploded perspective view thereof; and,  
 FIG. 11 is a perspective view thereof.  
 The broken lines showing a cup and glass are for illustrative purposes only and form no part of the claimed design.

**1 Claim, 11 Drawing Sheets**



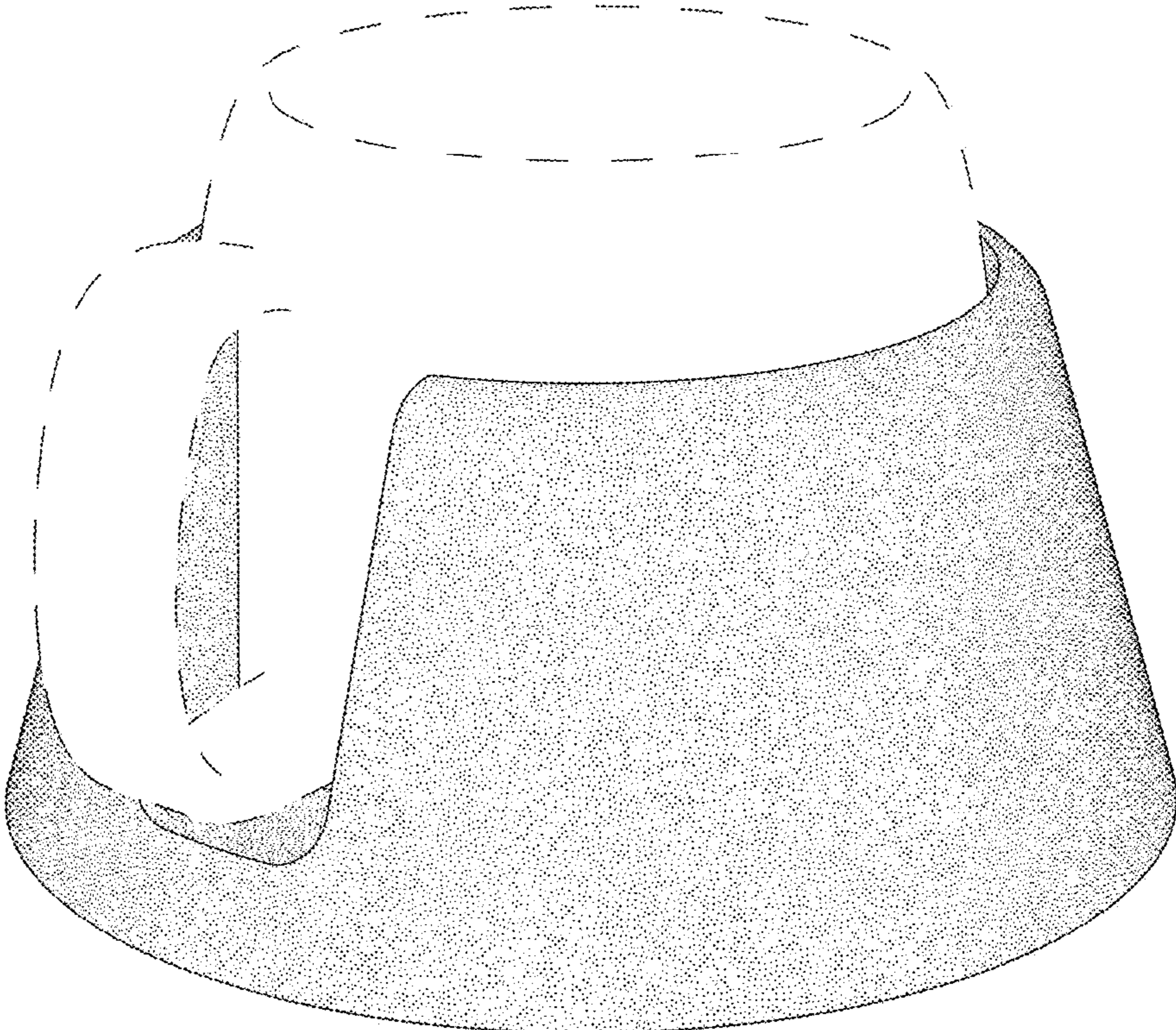


Fig. 1

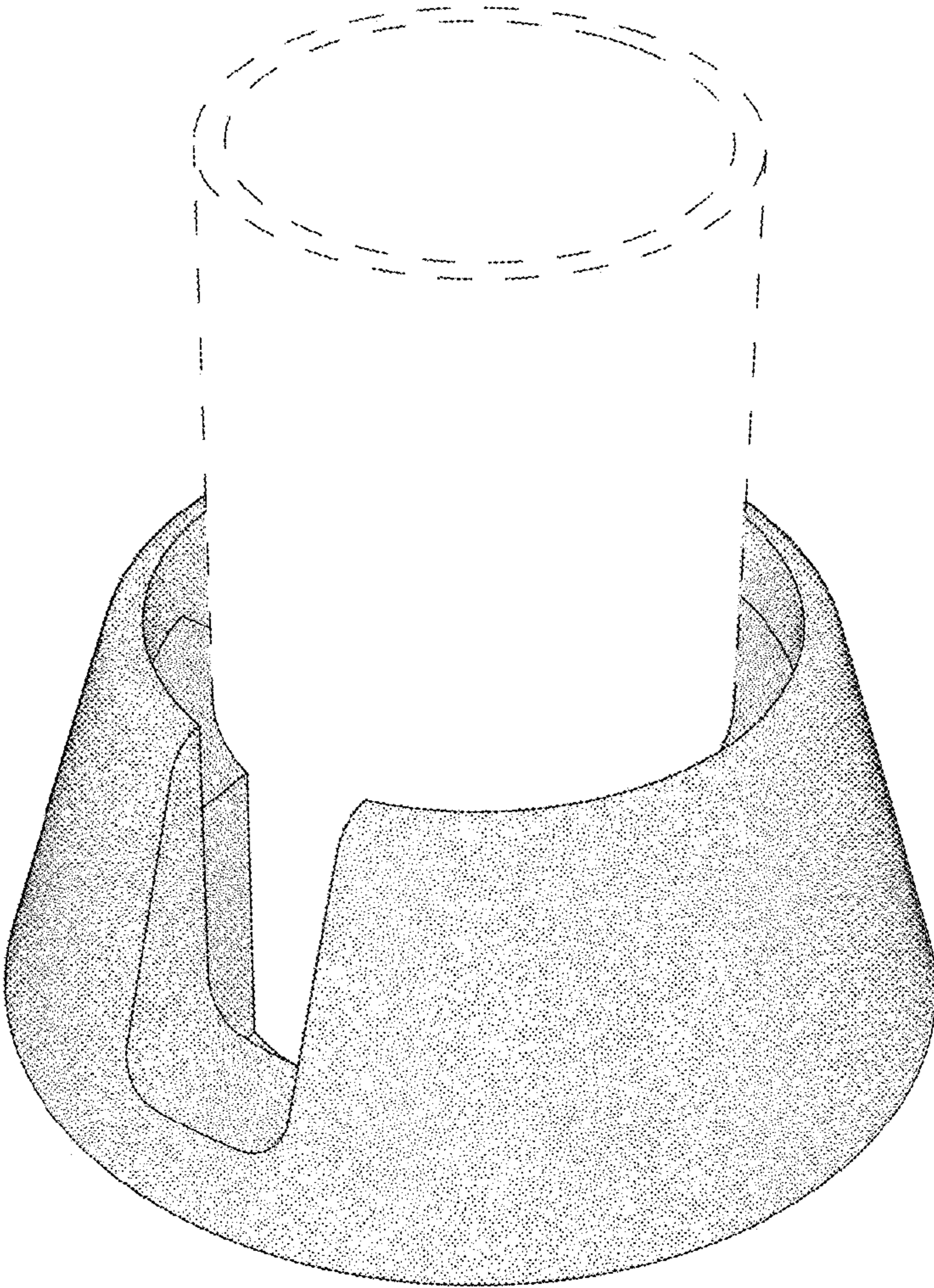


Fig. 2

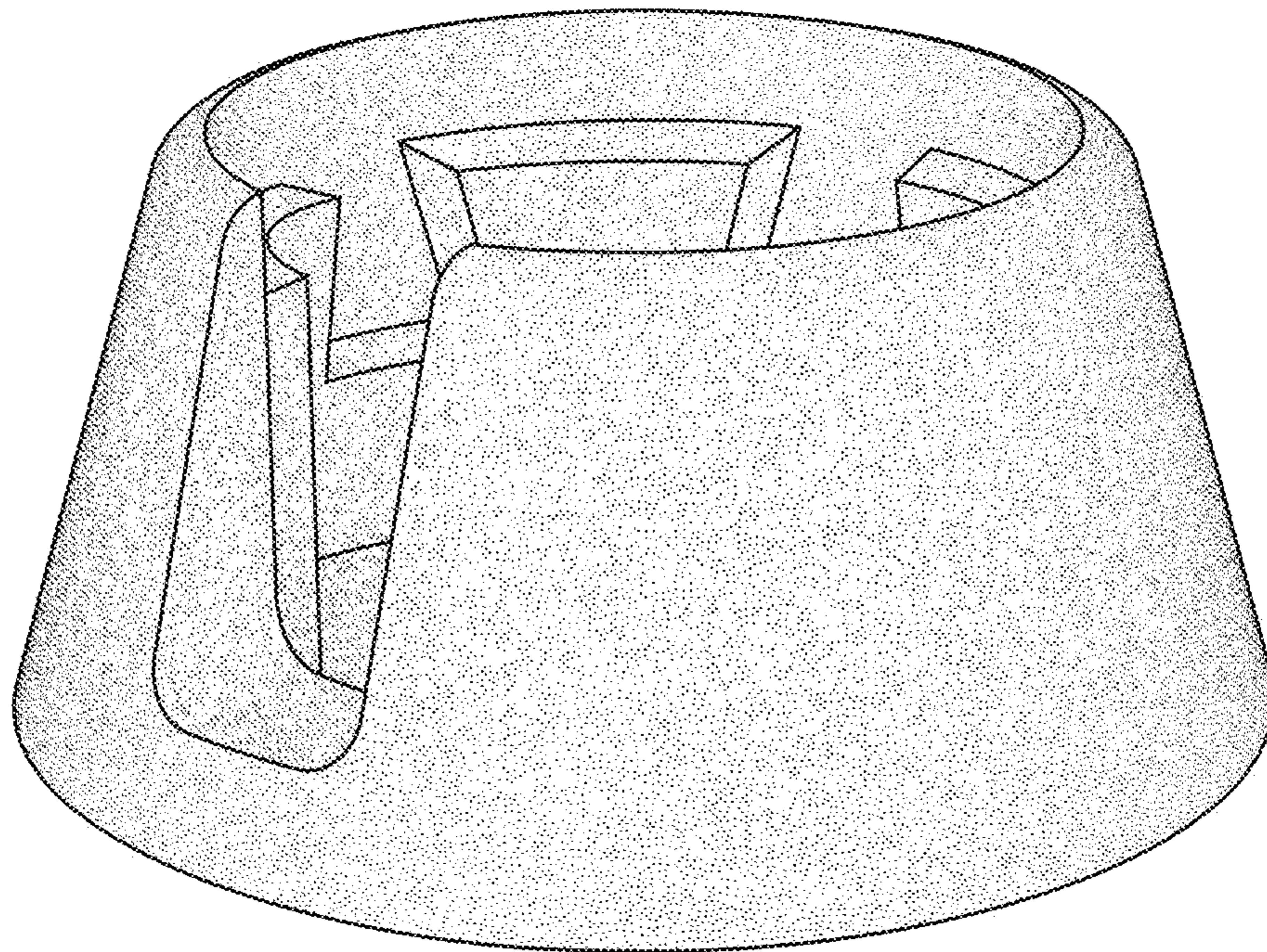


Fig. 3

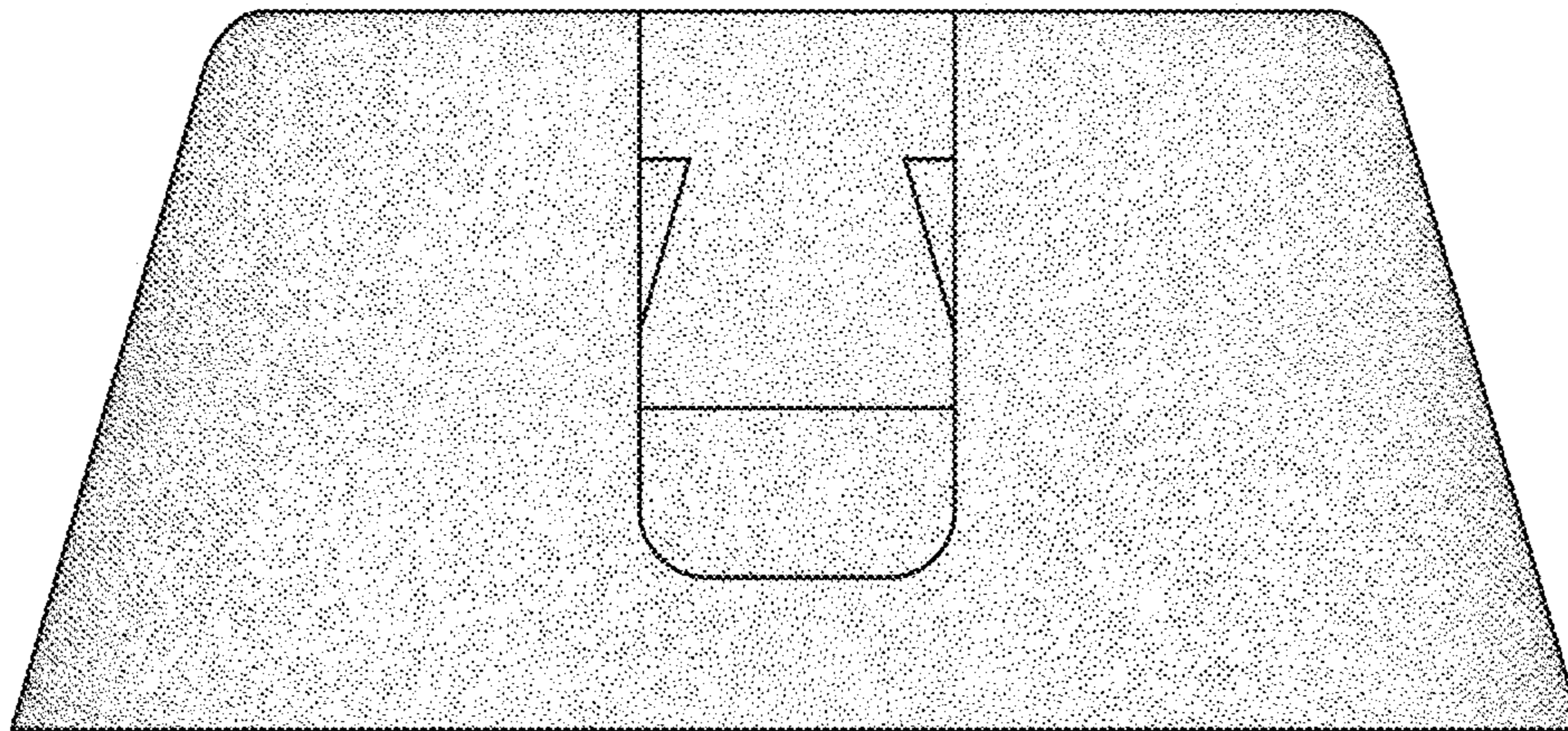


Fig. 4



Fig. 5

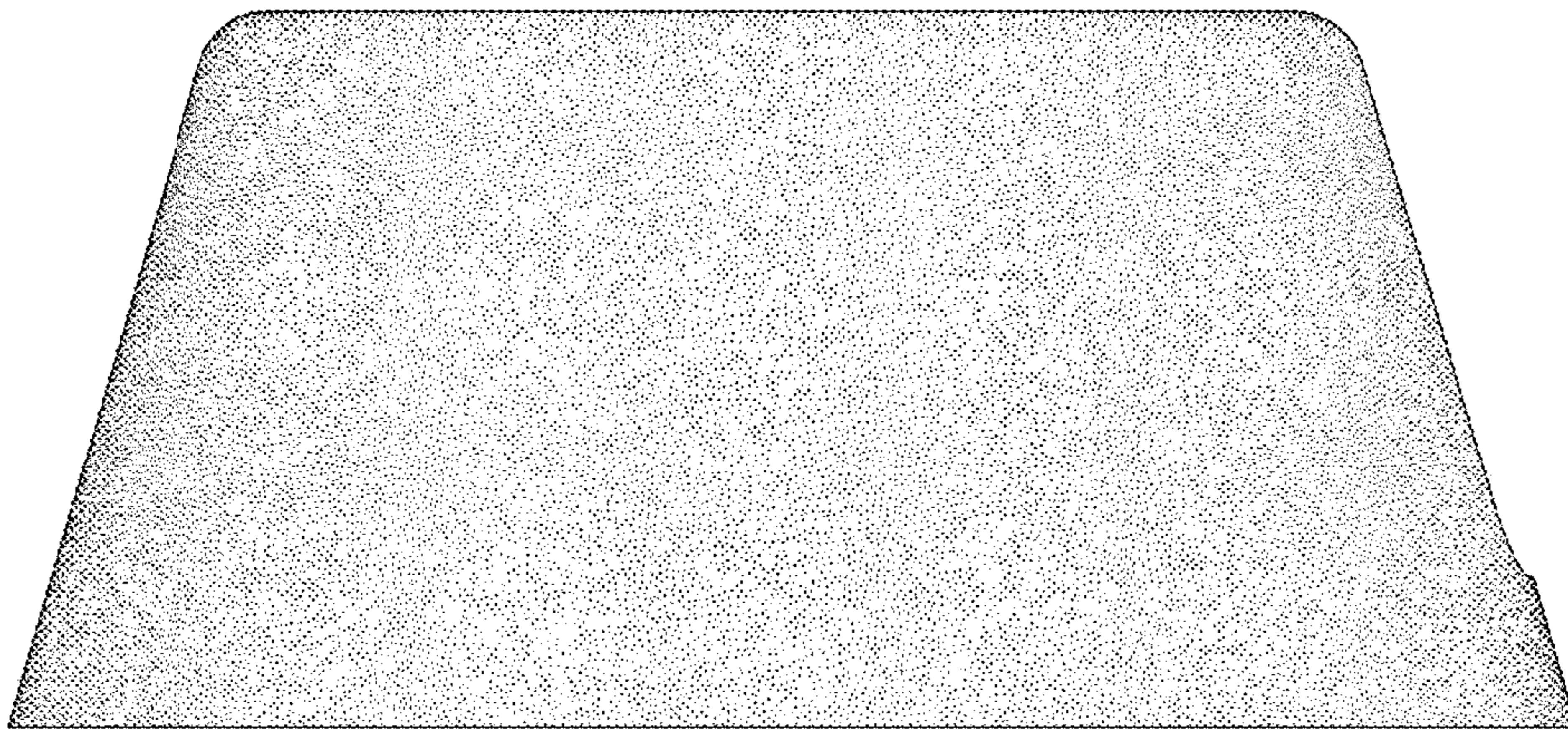


Fig. 6

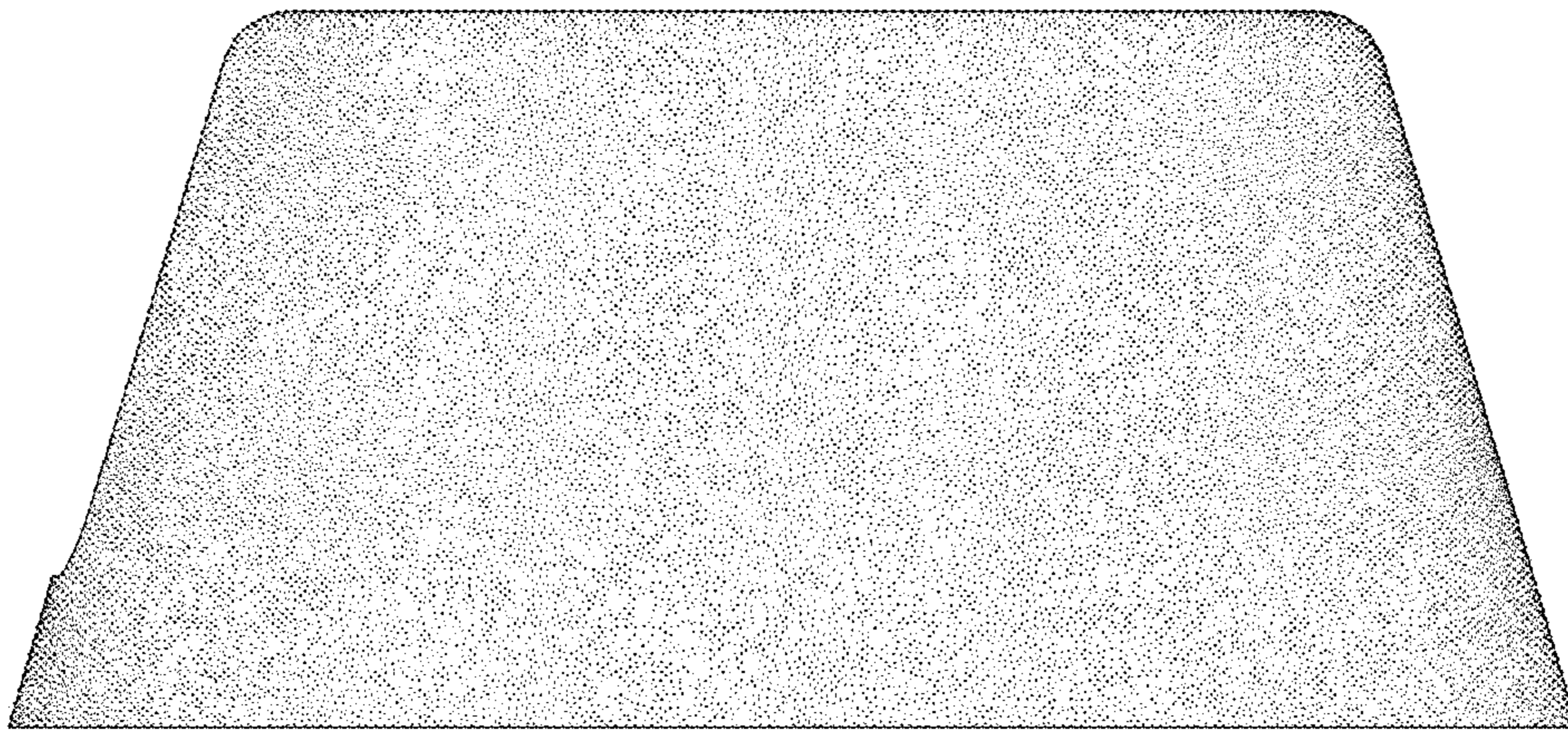


Fig. 7



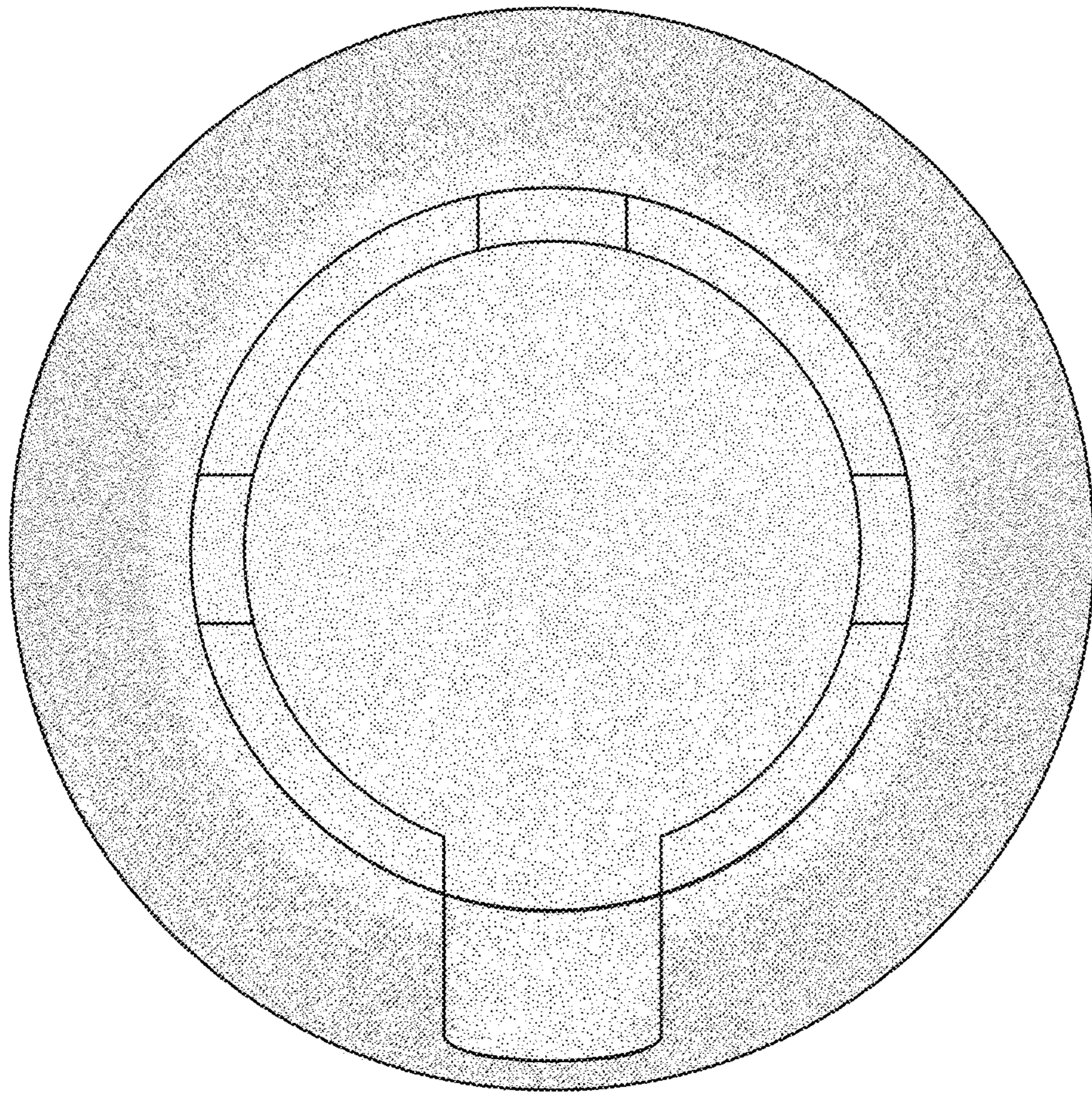


Fig. 8

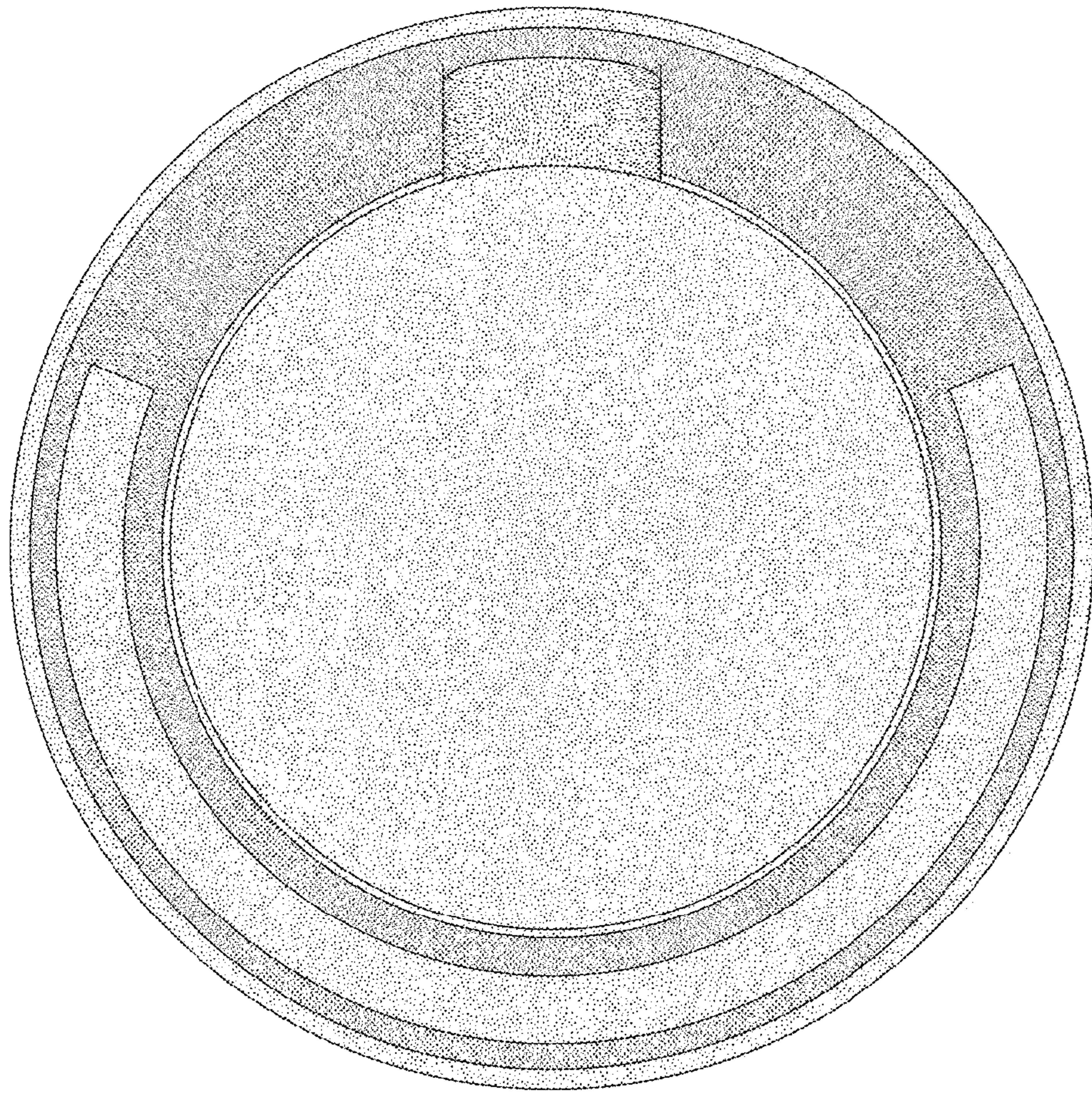


Fig. 9

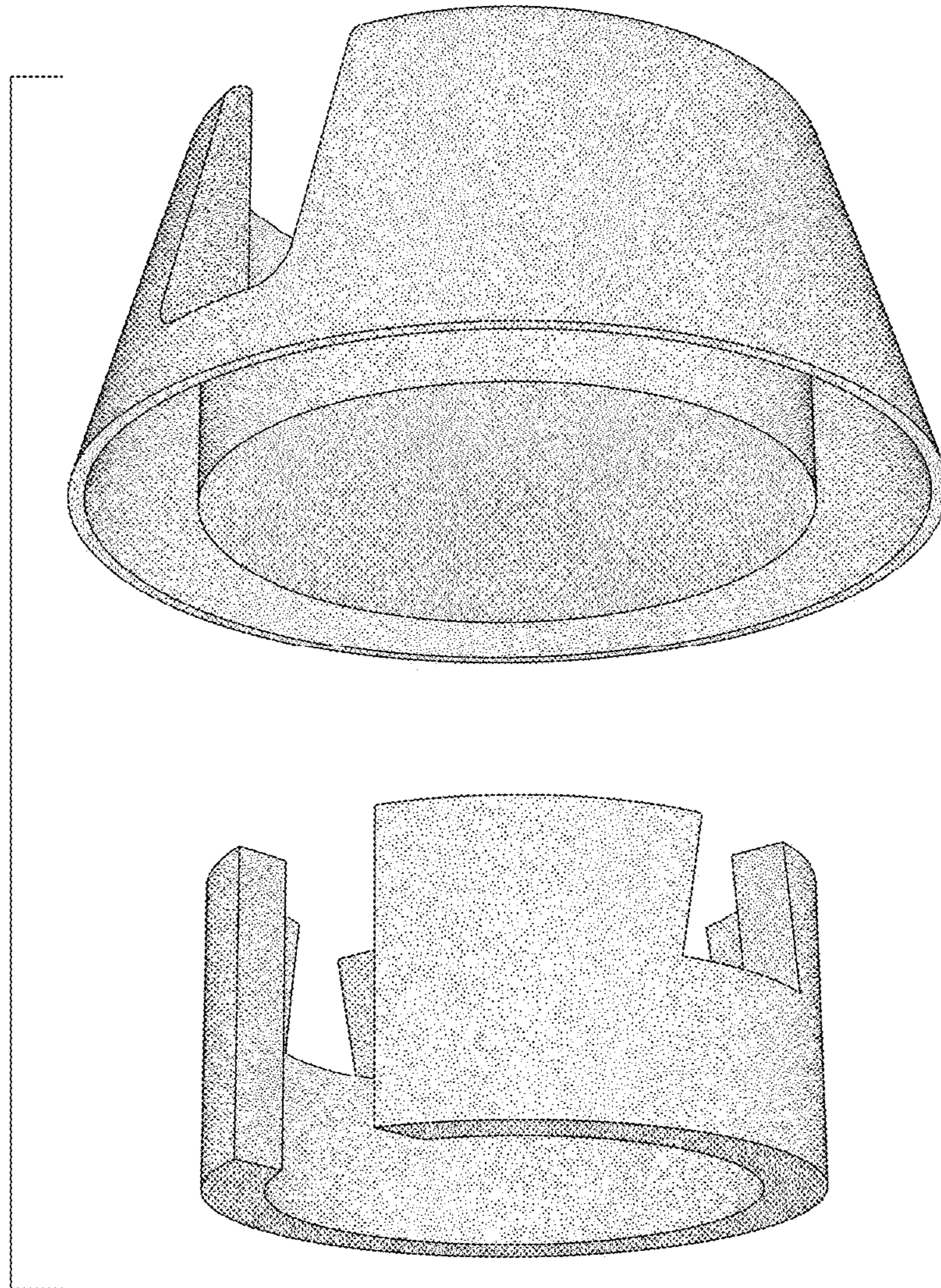


Fig. 10

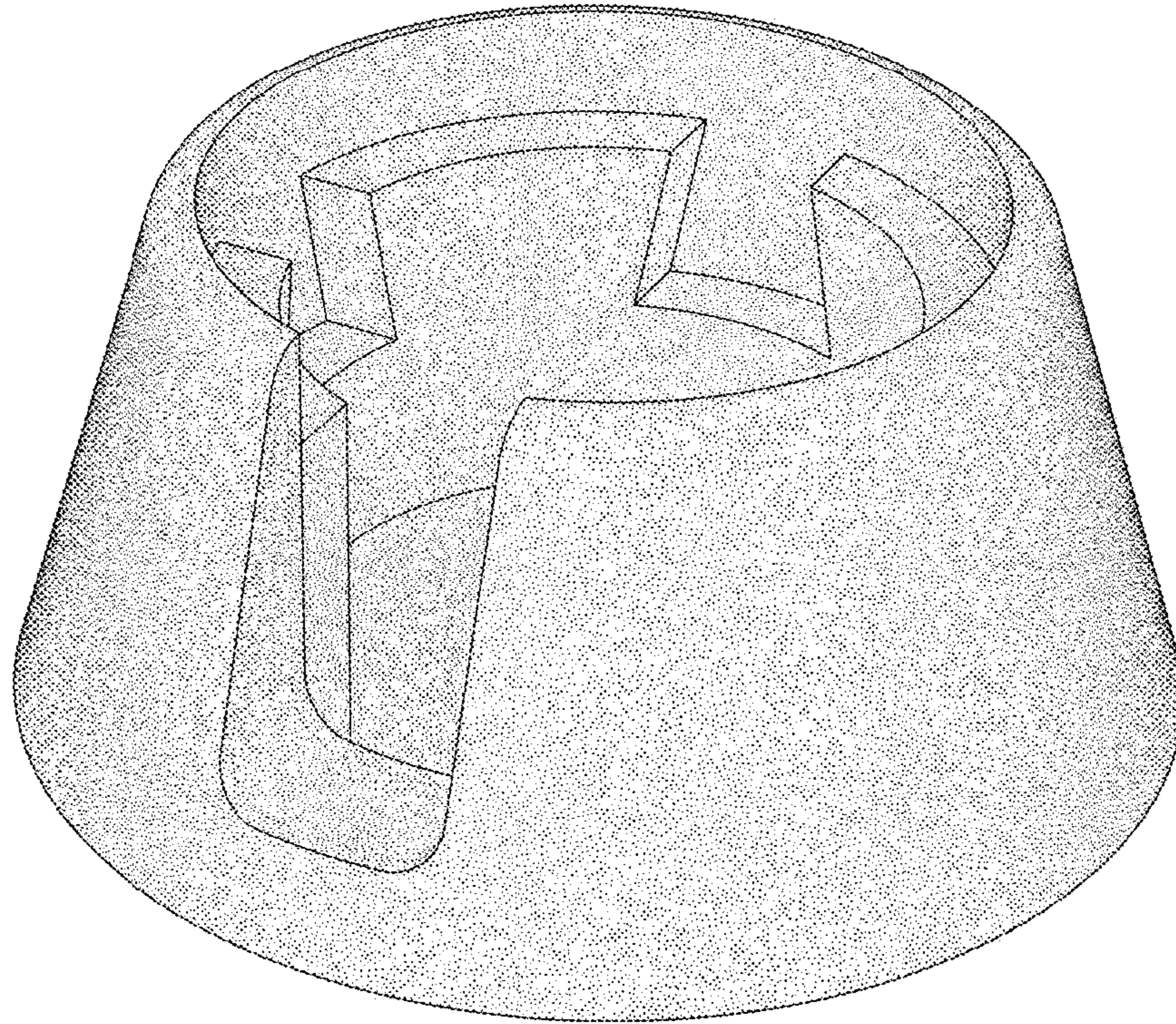


Fig. 11