



US00D922831S

(12) **United States Design Patent** (10) **Patent No.:** **US D922,831 S**  
**Luke** (45) **Date of Patent:** **\*\* Jun. 22, 2021**

(54) **STEMMED DRINKING RECEPTACLE HOLDER**

net URL: <https://www.amazon.com/WineGrasp-Champagne-Beverage-Portable-Adirondack/dp/B08L86WWQC> (Year: 2020).\*

(Continued)

- (71) Applicant: **Vuolle Luke**, Somerville, MA (US)
- (72) Inventor: **Vuolle Luke**, Somerville, MA (US)
- (73) Assignee: **The WineGrasp Co.**, Chicago, IL (US)
- (\*\*) Term: **15 Years**

*Primary Examiner* — Jeffrey D Asch  
*Assistant Examiner* — Natalya M Rapundalo  
 (74) *Attorney, Agent, or Firm* — David A. Gottardo,  
 Attorney at Law

(21) Appl. No.: **29/714,177**

(57) **CLAIM**  
 The ornamental design for a stemmed drinking receptacle holder, as shown and described.

(22) Filed: **Nov. 21, 2019**

**DESCRIPTION**

(51) **LOC (13) Cl.** ..... **07-06**

(52) **U.S. Cl.**  
USPC ..... **D7/619.2; D7/620; D7/708.1**

(58) **Field of Classification Search**  
 USPC ..... D7/601, 602, 701, 703, 705, 706, 707, D7/708, 708.1, 619.1, 619.2, 620; D3/201, 273, 295; D6/672, 675, 675.1, D6/675.2, 675.3, 675.5, 678, 678.1, D6/678.2, 682, 682.1, 682.3, 682.4, 683, D6/683.1, 702, 705; D9/414, 423, 424, D9/455, 751, 757, 761; D8/33, 38, 40, D8/394, 395  
 CPC ..... A47B 73/00; A47B 73/006; A47B 88/00; A47B 88/40; A47B 2210/06; A47B 2210/07; A47B 2210/08; A45C 11/20;  
 (Continued)

FIG. 1 is a perspective view of the stemmed drinking receptacle holder illustrating my new design;  
 FIG. 2 is a another perspective view of a the stemmed drinking receptacle holder of FIG. 1;  
 FIG. 3 is a plan view of the top of the stemmed drinking receptacle holder of FIG. 1;  
 FIG. 4 is a plan view of the bottom of the stemmed drinking receptacle holder of FIG. 1;  
 FIG. 5 is an elevation view of the right side of the stemmed drinking receptacle holder of FIG. 1;  
 FIG. 6 is an elevation view of the left side of the stemmed drinking receptacle holder of FIG. 1;  
 FIG. 7 is an elevation view of the rearward end of the stemmed drinking receptacle holder of FIG. 1; and,  
 FIG. 8 is an elevation view of the forward end of the stemmed drinking receptacle holder of FIG. 1.

(56) **References Cited**

**U.S. PATENT DOCUMENTS**

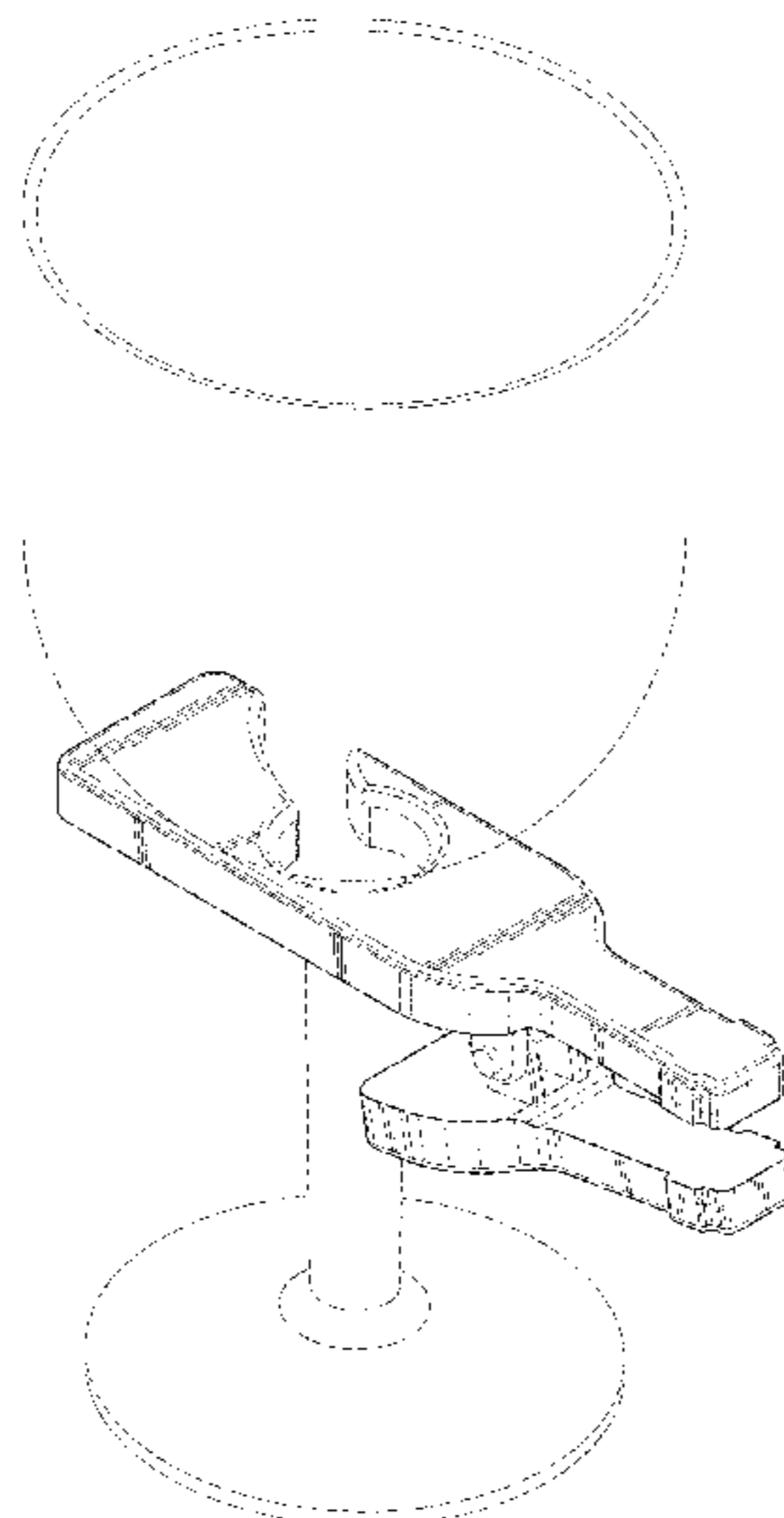
D87,682 S 12/1932 Porter  
 2,602,310 A 7/1952 Hansen  
 (Continued)

The broken lines showing a stemmed drinking receptacle in FIG. 1 are included for the purpose of showing an environmental feature that forms no part of the claimed design. The broken lines showing a through-void having an opening that terminates at a right side of the holder in FIGS. 1-5 are included for the purpose showing of portions of the holder that form no part of the claimed design. The broken lines showing a hinge in FIGS. 1, 2 and 5-8 are included for the purpose of showing portions of the holder that form no part of the claimed design.

**OTHER PUBLICATIONS**

WineGrasp Wine Glass Holder, first available Sep. 30, 2020, Amazon, [online], [site visited Apr. 2, 2021], Available from inter-

**1 Claim, 5 Drawing Sheets**



(58) **Field of Classification Search**

CPC ..... A47G 19/2255; A47G 19/2261; A47G 19/32; A47G 21/001; A47G 23/02; A47G 23/0208; A47G 23/0216; A47G 23/0225; A47G 23/0258; A47G 23/0266; A47G 23/0316; A47G 23/06; A47G 23/0641; A47G 2023/0283; A47G 29/093; A47J 47/14; A47J 47/16

See application file for complete search history.

(56) **References Cited**

U.S. PATENT DOCUMENTS

D218,144 S \* 7/1970 Branson ..... D8/395  
 D276,787 S \* 12/1984 Burns ..... D8/18  
 D281,565 S 12/1985 Stourton et al.  
 4,749,112 A 6/1988 Harper  
 4,887,784 A 12/1989 Kayali  
 D308,461 S 6/1990 Hosea  
 D315,865 S \* 4/1991 Fisscher ..... D8/395  
 5,853,158 A 12/1998 Riggle  
 D406,025 S \* 2/1999 Hung ..... D8/38  
 5,996,957 A 12/1999 Kurtz  
 6,059,138 A 5/2000 Labruyere

6,394,285 B1 5/2002 Arthurs et al.  
 6,601,813 B1 8/2003 Kager et al.  
 D498,974 S \* 11/2004 Hsieh ..... D7/387  
 D526,538 S \* 8/2006 Harris ..... D7/619.2  
 7,284,737 B2 10/2007 Kane  
 D573,739 S \* 7/2008 Racoosin ..... B42D 3/123  
 D26/60  
 7,458,471 B2 12/2008 Crudgington, Jr.  
 D705,646 S \* 5/2014 Finn ..... D8/395  
 9,788,673 B2 \* 10/2017 Gschwind, Jr. .... A47G 23/0225  
 D832,655 S \* 11/2018 Breit ..... D7/620  
 D843,185 S \* 3/2019 Marcial ..... D8/38  
 2004/0140411 A1 7/2004 Roe et al.  
 2013/0105650 A1 5/2013 Cohen  
 2018/0363839 A1 \* 12/2018 Breit ..... A47G 23/02  
 2020/0253405 A1 \* 8/2020 Da Silva Romero .....  
 A47G 23/0225

OTHER PUBLICATIONS

O2COOL Beverage and Wine Clip, Bed Bath & Beyond, [online], [site visited Apr. 2, 2021], Available from internet URL: <https://www.bedbathandbeyond.com/store/product/o2cool-reg-beverage-and-wine-clip/5509853?wmSkipPwa=1> (Year: 2021).\*

\* cited by examiner

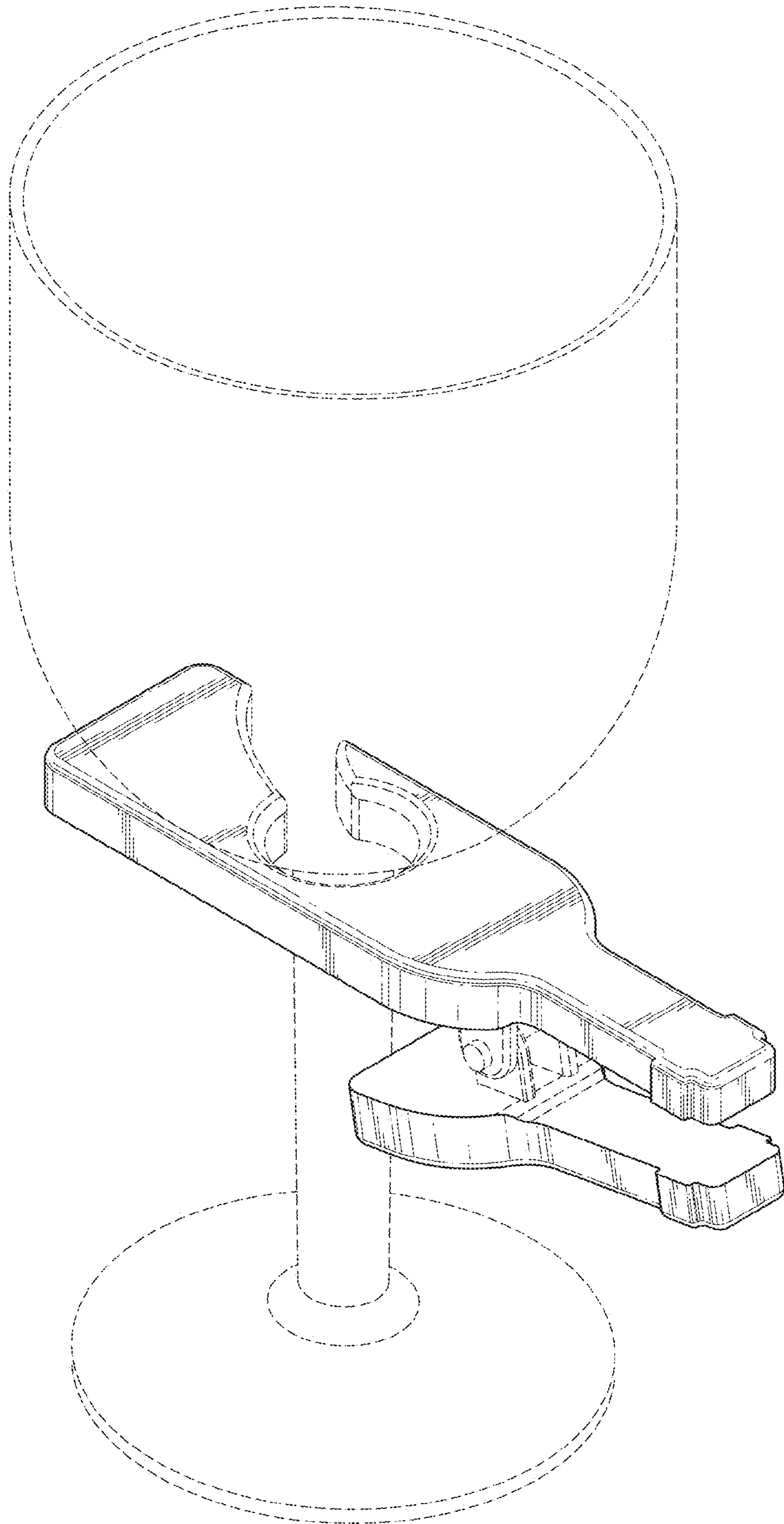


FIG. 1

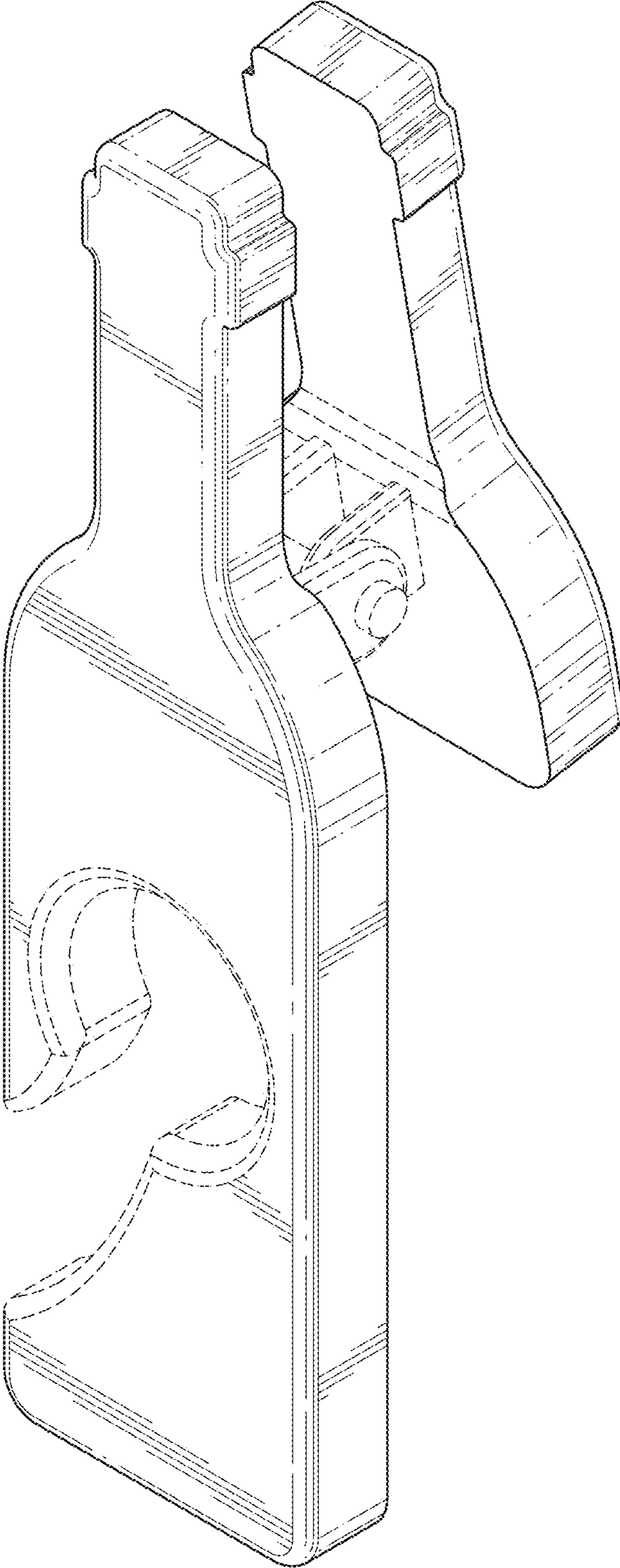


FIG. 2

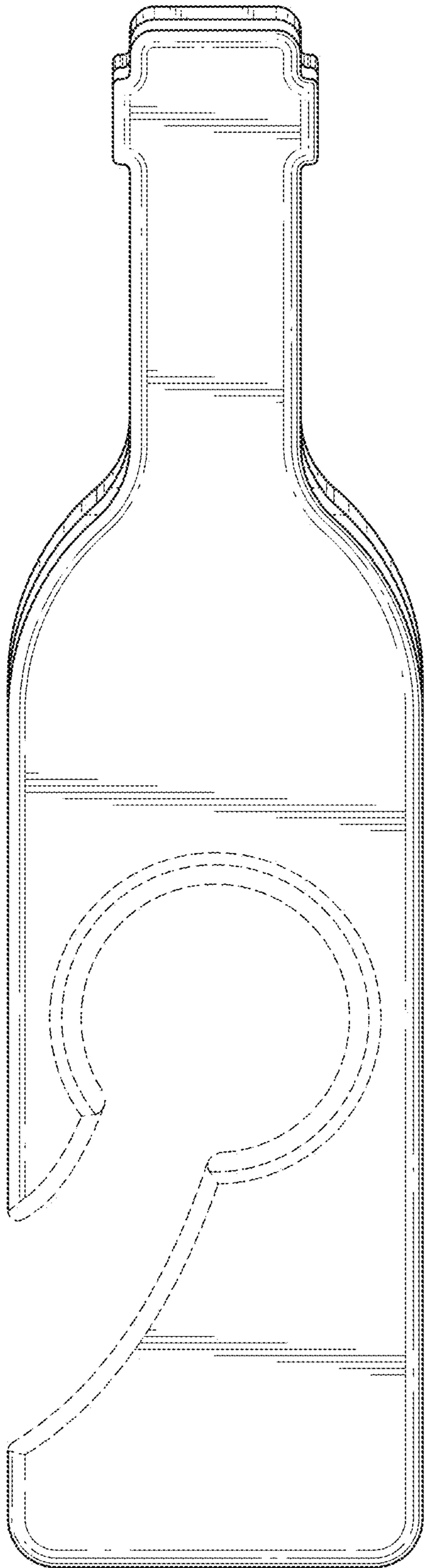


FIG. 3

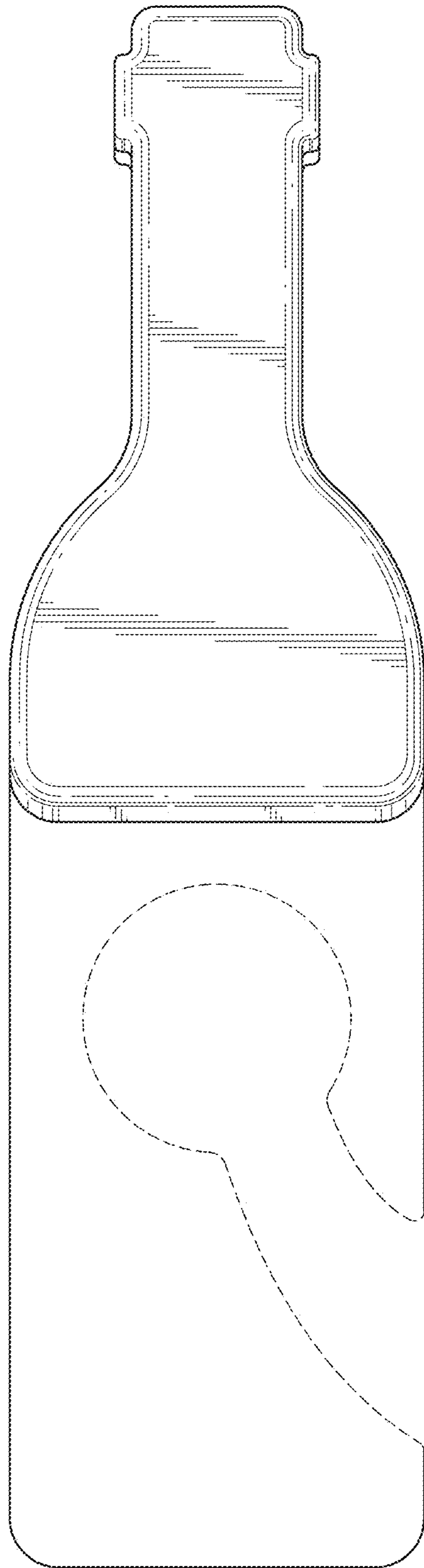


FIG. 4

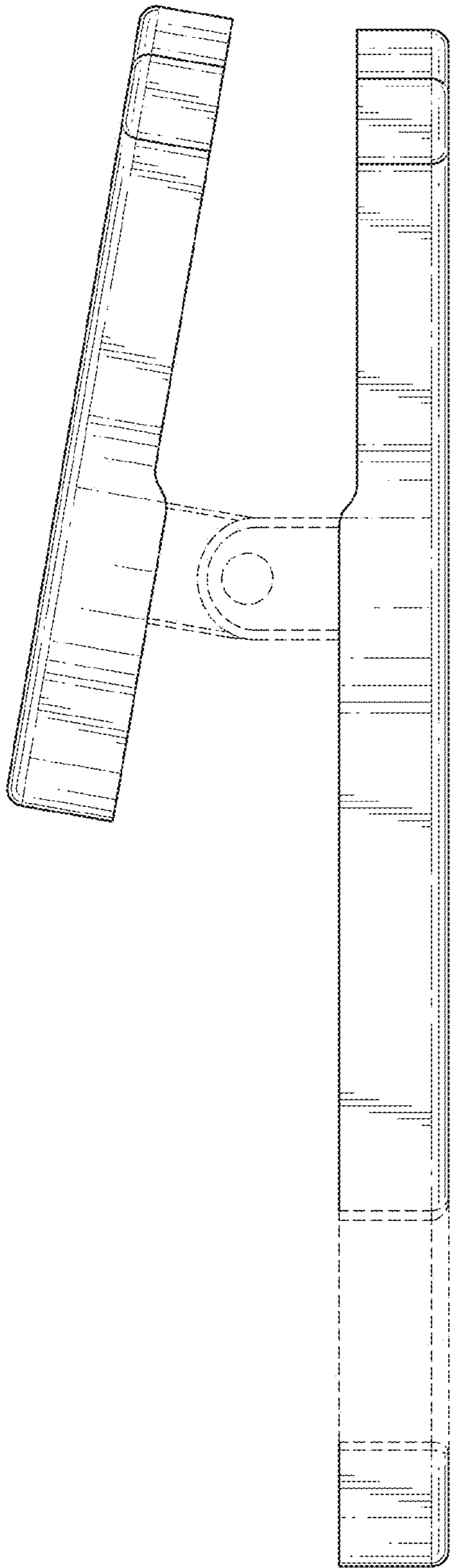


FIG. 5

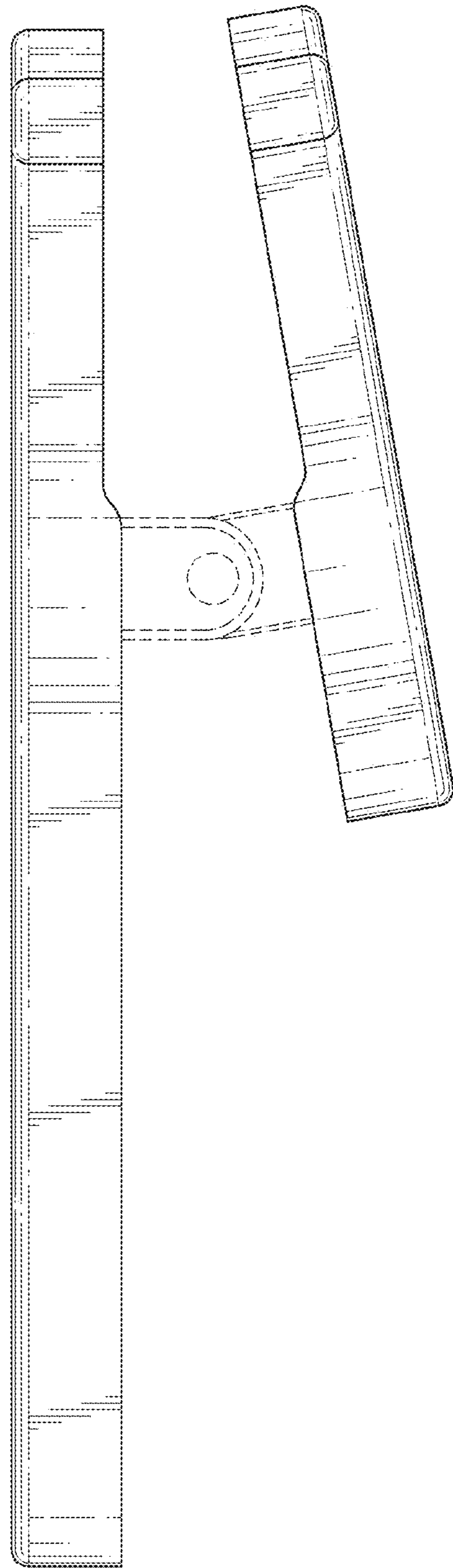
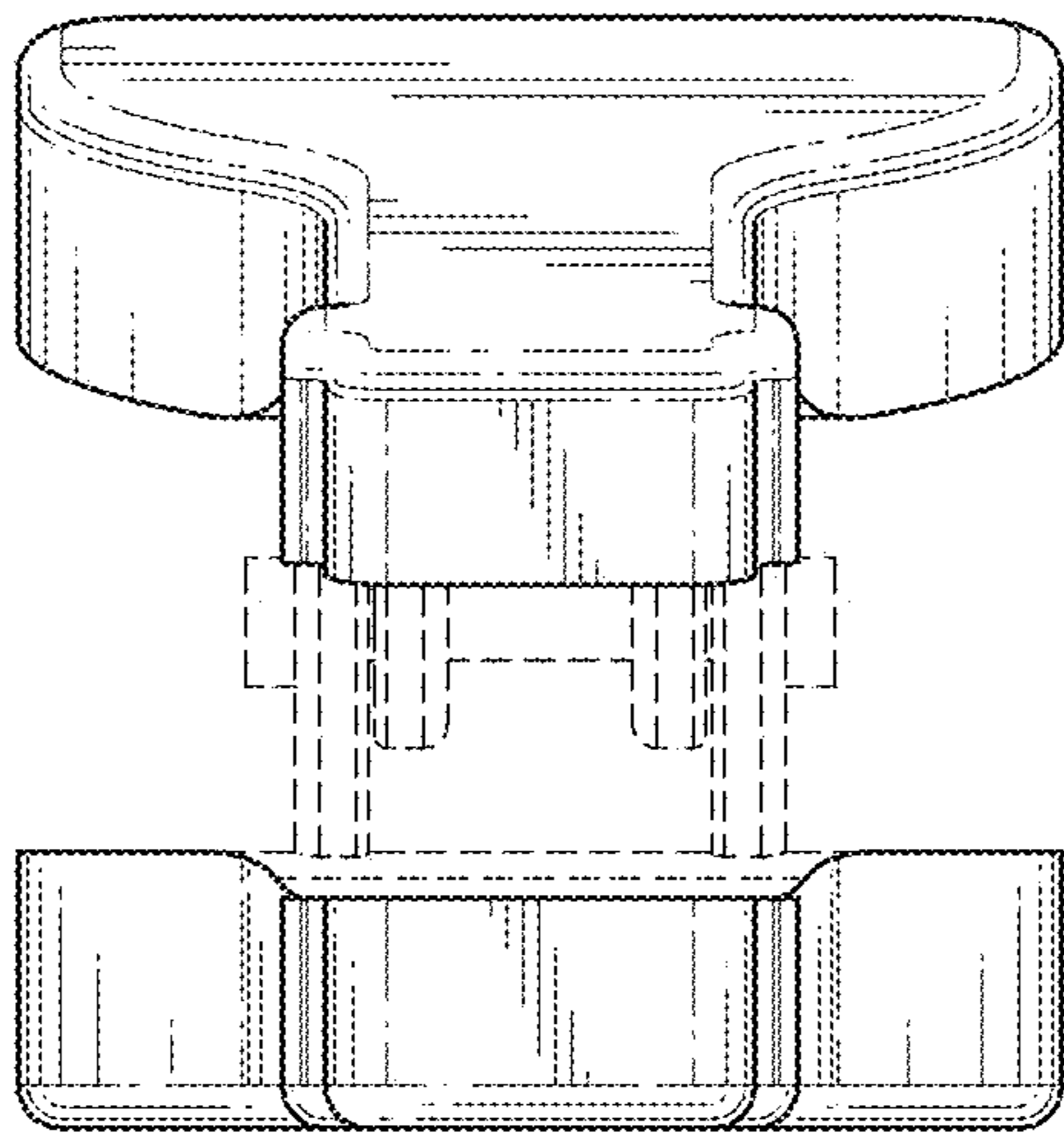
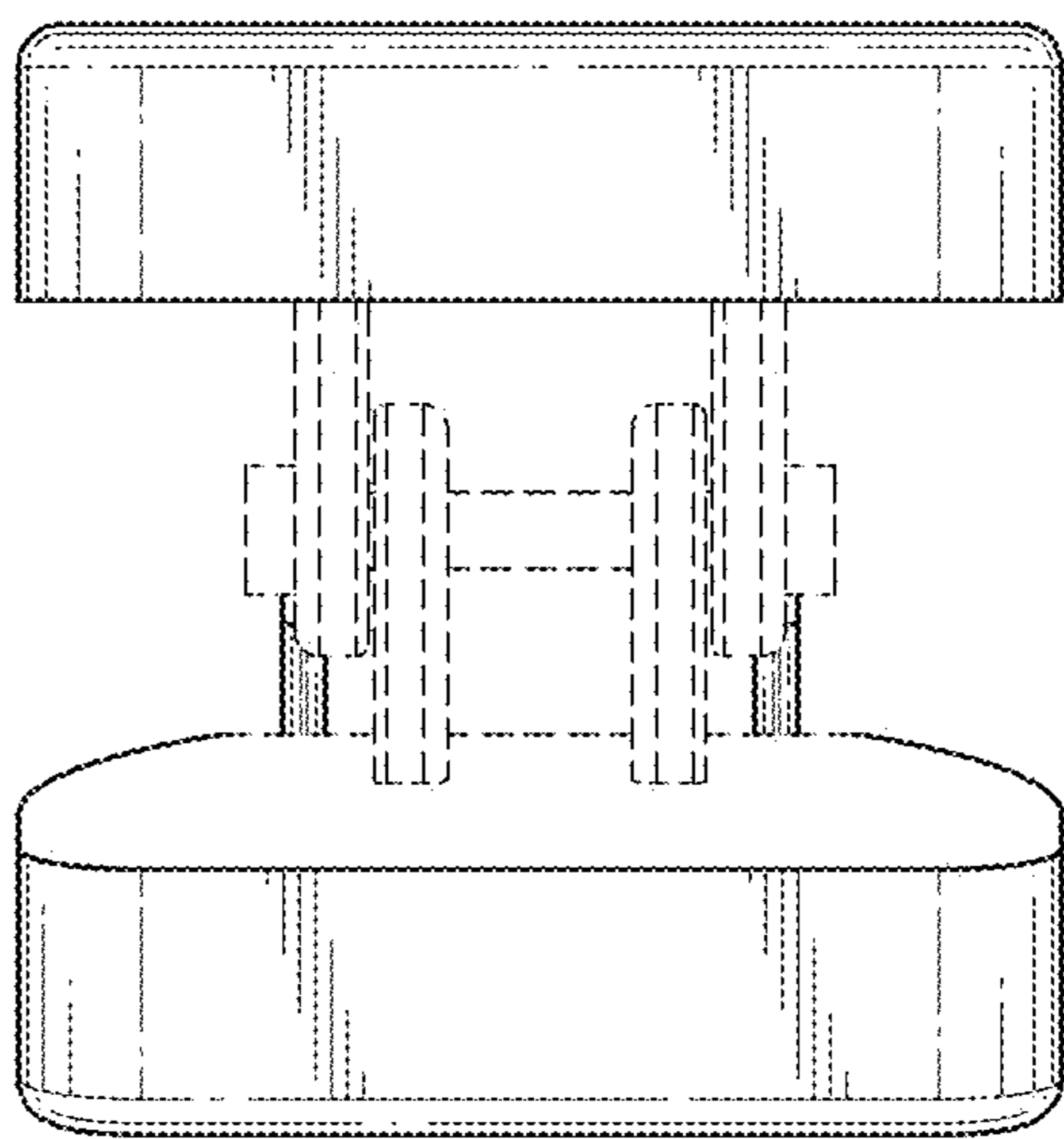


FIG. 6



*FIG. 7*



*FIG. 8*