



US00D922830S

(12) **United States Design Patent** (10) **Patent No.:** **US D922,830 S**  
**Zhang** (45) **Date of Patent:** **\*\* Jun. 22, 2021**

(54) **BREAD BOX**  
(71) Applicant: **EASEPAL ENTERPRISES, LIMITED**, Hong Kong (CN)  
(72) Inventor: **Kykyo Zhang**, Xiamen (CN)  
(73) Assignee: **EASEPAL ENTERPRISES, LIMITED**, Hong Kong (CN)

(\*\*) Term: **15 Years**  
(21) Appl. No.: **29/713,936**  
(22) Filed: **Nov. 20, 2019**

(51) **LOC (13) Cl.** ..... **07-07**  
(52) **U.S. Cl.**  
USPC ..... **D7/609**  
(58) **Field of Classification Search**  
USPC ..... D7/601, 602, 609, 629; D6/657, 661,  
D6/663, 664, 669, 670, 672, 675, 675.4;  
D15/79, 81  
CPC .. B65D 1/22; B65D 81/3813; B65D 2581/00;  
B65D 2581/3405; B65D 2581/3406  
See application file for complete search history.

(56) **References Cited**

**U.S. PATENT DOCUMENTS**

D116,229 S \* 8/1939 Garten ..... D7/609  
2,319,433 A \* 5/1943 Phillips ..... A47F 3/0404  
312/116  
D161,771 S \* 1/1951 Lumley ..... D7/609  
D264,031 S \* 4/1982 Sorensen ..... D6/661.2  
D291,644 S \* 9/1987 Osborn ..... D6/670  
D304,133 S \* 10/1989 Casselman ..... D6/672  
D332,332 S \* 1/1993 Markey ..... D34/1  
5,433,140 A \* 7/1995 Ogee ..... A47J 47/12  
312/71  
D369,523 S \* 5/1996 Olson ..... D6/522  
D371,918 S \* 7/1996 Brunner ..... D6/670  
D397,826 S \* 9/1998 McDiarmid ..... D19/81  
D498,616 S \* 11/2004 Hohler ..... A01G 9/249  
D6/661.3

D594,254 S \* 6/2009 Mori ..... D6/661  
D644,839 S \* 9/2011 Pitts ..... D3/295  
D664,790 S \* 8/2012 Christopher ..... D6/670  
2015/0096225 A1\* 4/2015 Gervais ..... A01G 9/16  
47/17  
2016/0029574 A1\* 2/2016 He ..... A01G 9/249  
700/276

**OTHER PUBLICATIONS**

Double Layer Large Bread Box | posted at Amazon.com, posted on Jun. 24, 2019, © 1996-2021 Amazon.com, [online], [site visited Mar. 9, 2021]. Available from Internet, <URL: https://www.amazon.com/Double-Kitchen-Bamboo-Capacity-Storage/dp/B07THW16PV/> (Year: 2019).\*

\* cited by examiner

*Primary Examiner* — Susan E Krakower  
*Assistant Examiner* — Andrew Kerr  
(74) *Attorney, Agent, or Firm* — Bayramoglu Law Offices LLC

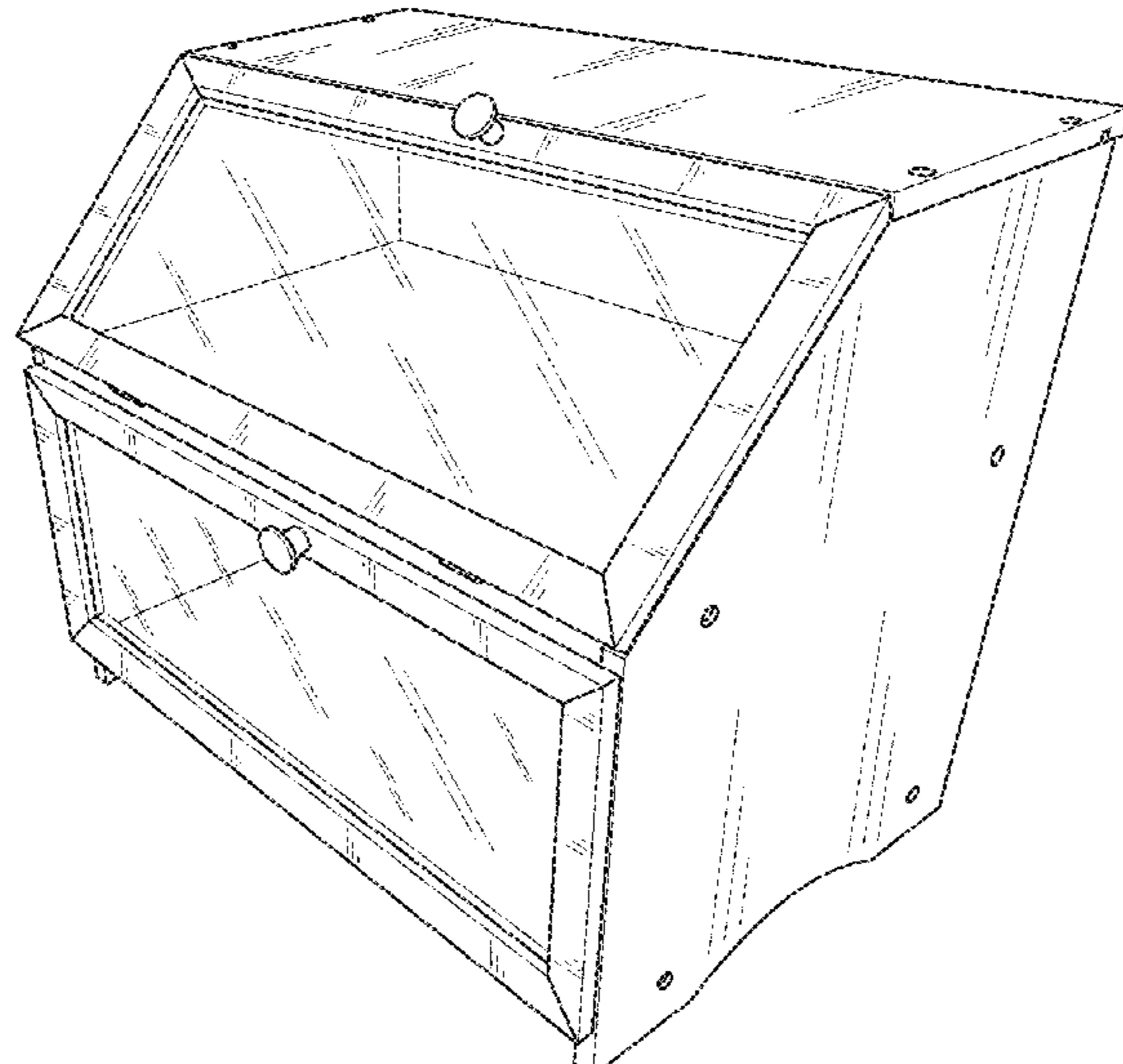
(57) **CLAIM**

The ornamental design for a bread box, as shown and described.

**DESCRIPTION**

FIG. 1 is a front perspective view of a bread box showing my new design;  
FIG. 2 is a front elevational view thereof;  
FIG. 3 is a rear elevational view thereof;  
FIG. 4 is a right side elevational view thereof, a left side elevational view being a mirror image;  
FIG. 5 is a top plan view thereof;  
FIG. 6 is a rear perspective view thereof; and,  
FIG. 7 is a front perspective view thereof showing an opening state.  
A bottom view of the bread box is not provided as it does not contain any ornamentality.

**1 Claim, 7 Drawing Sheets**



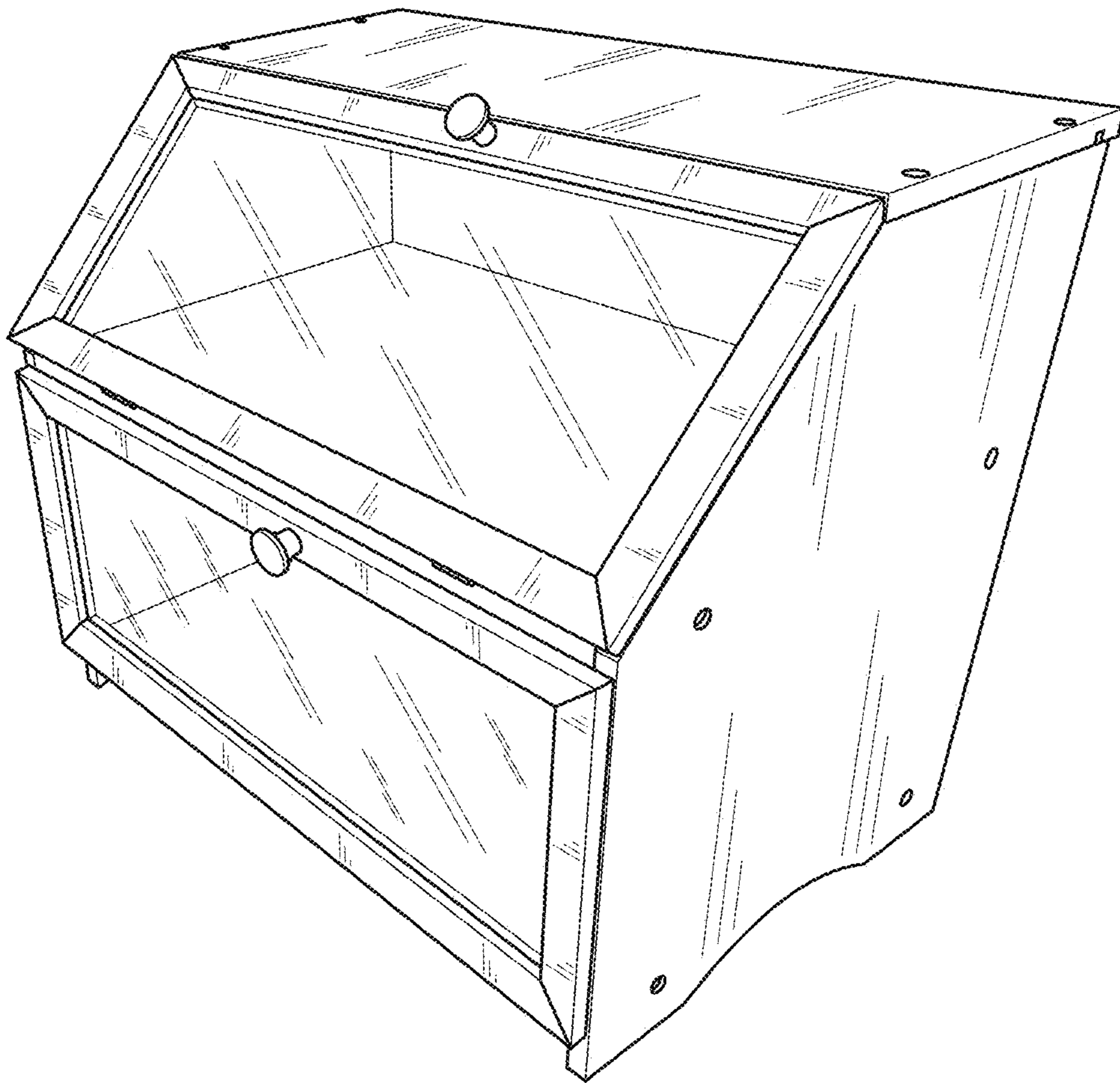


Fig. 1

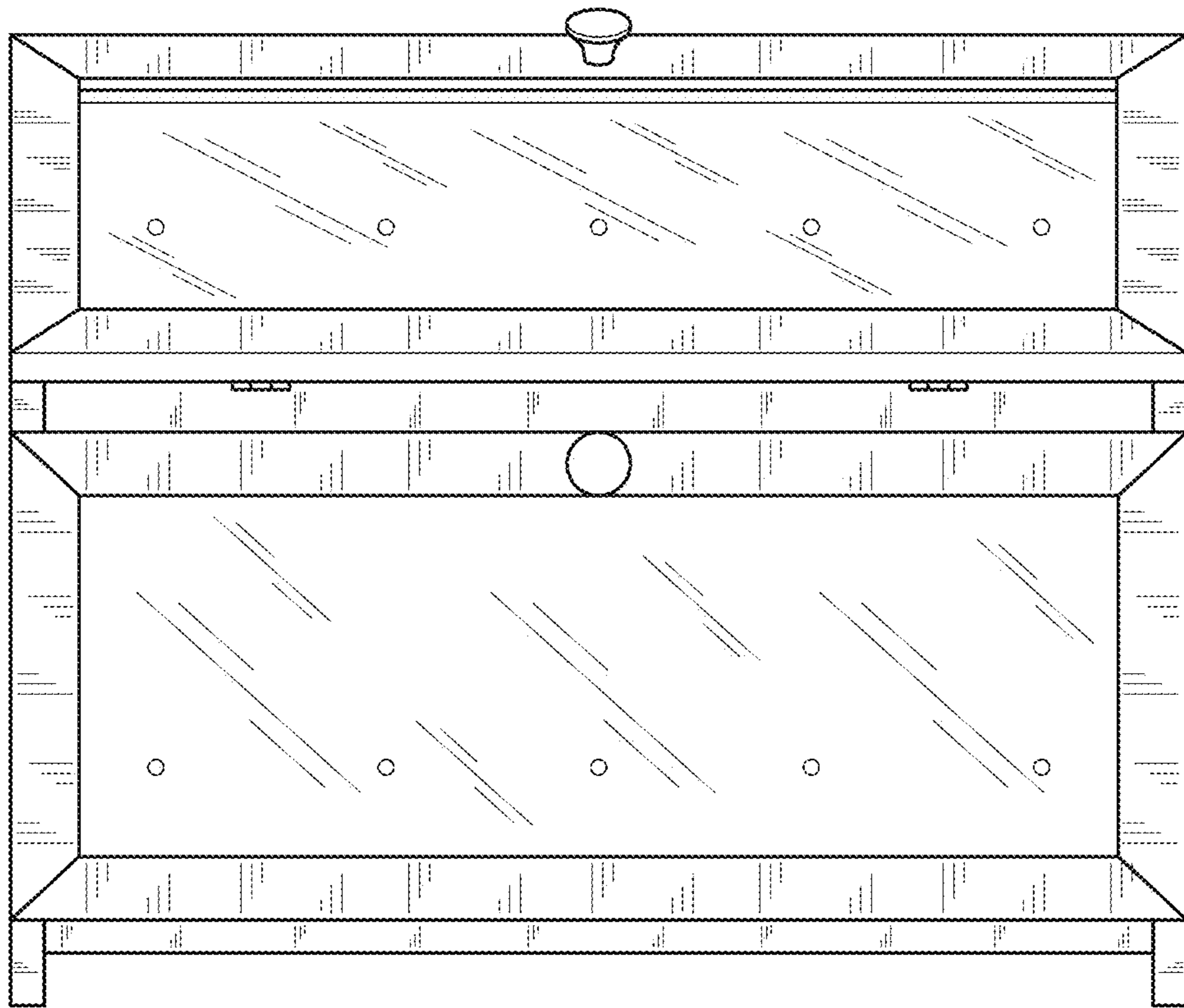


Fig. 2

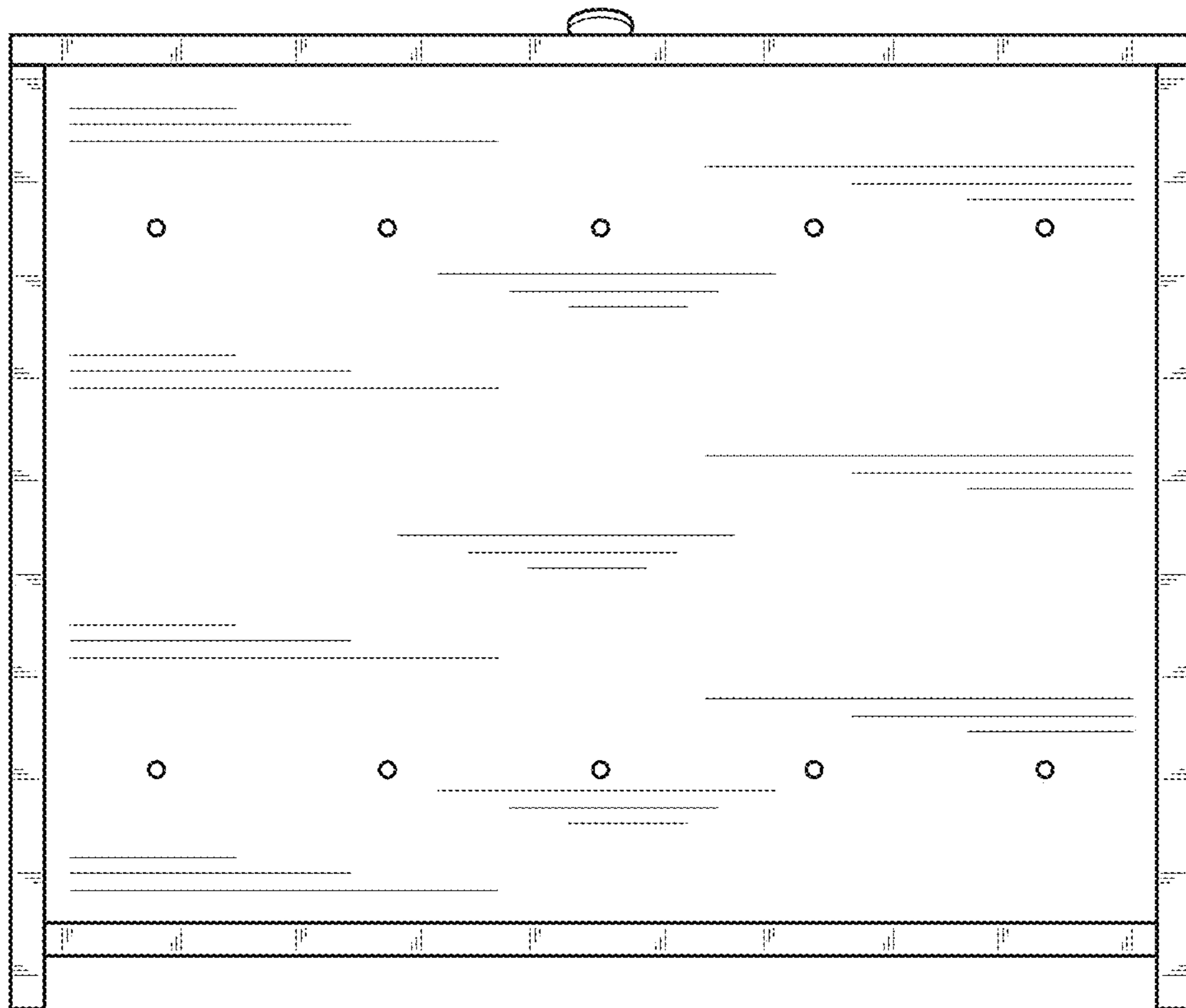


Fig. 3

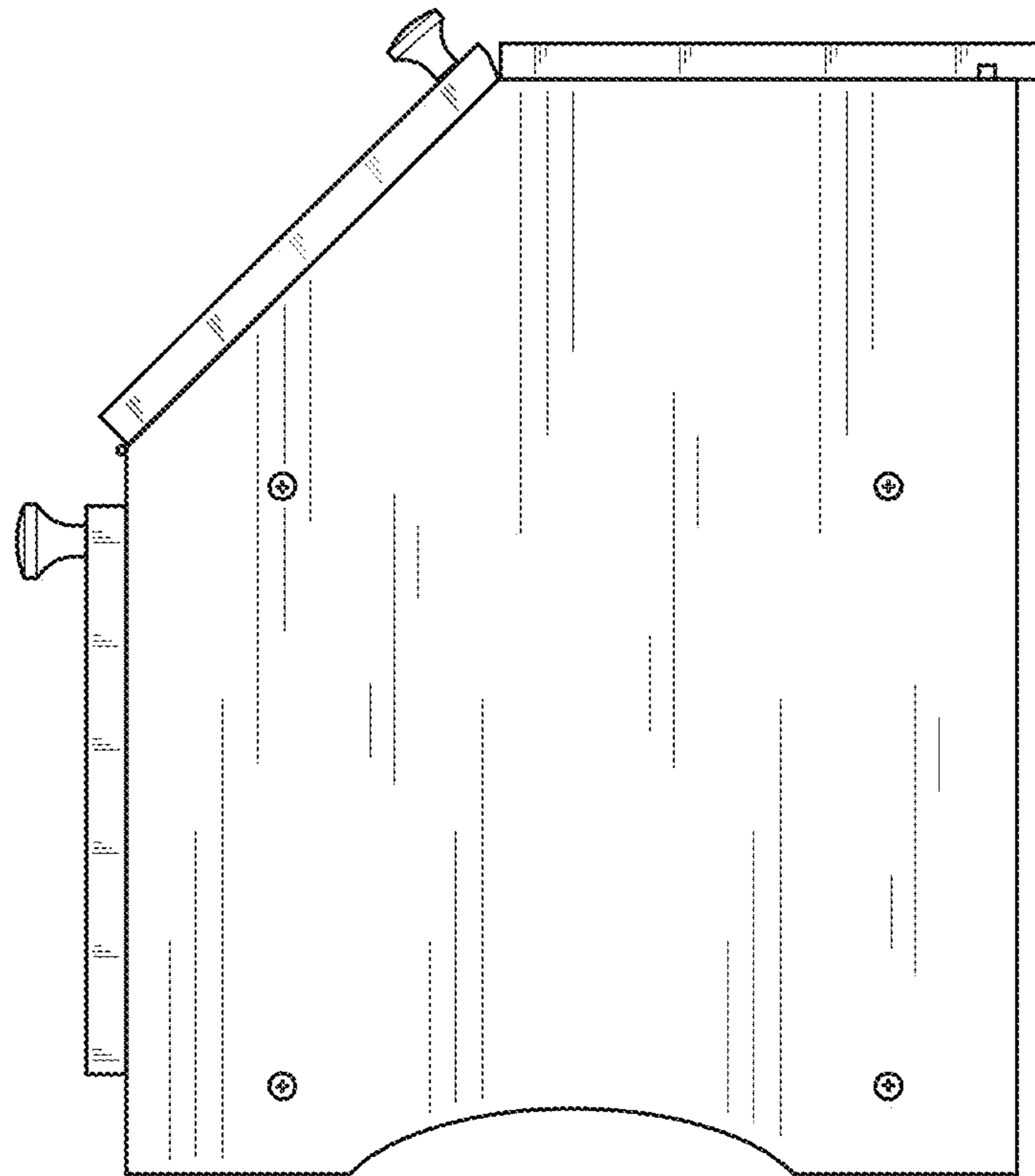


Fig. 4

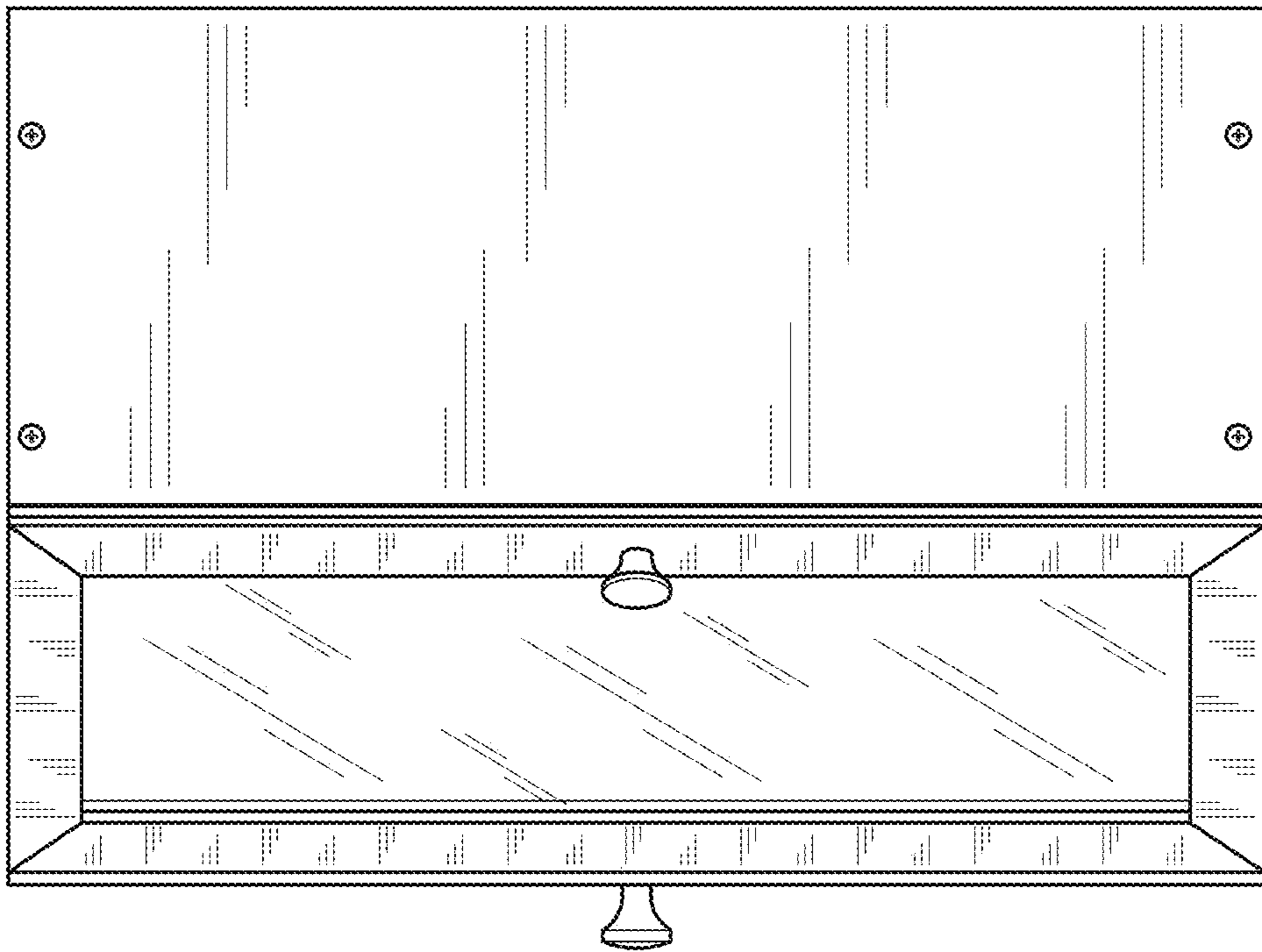


Fig. 5

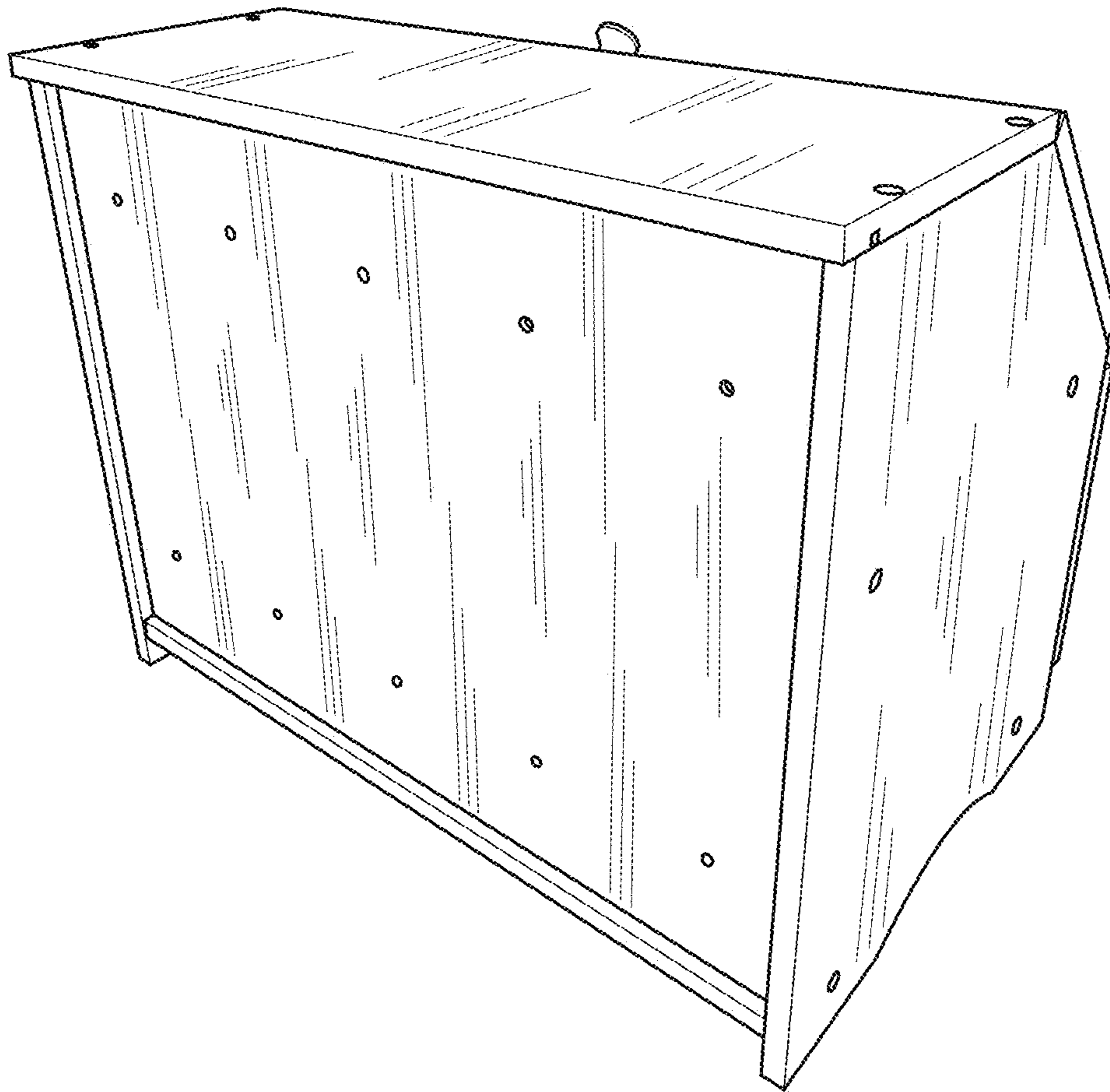


Fig. 6

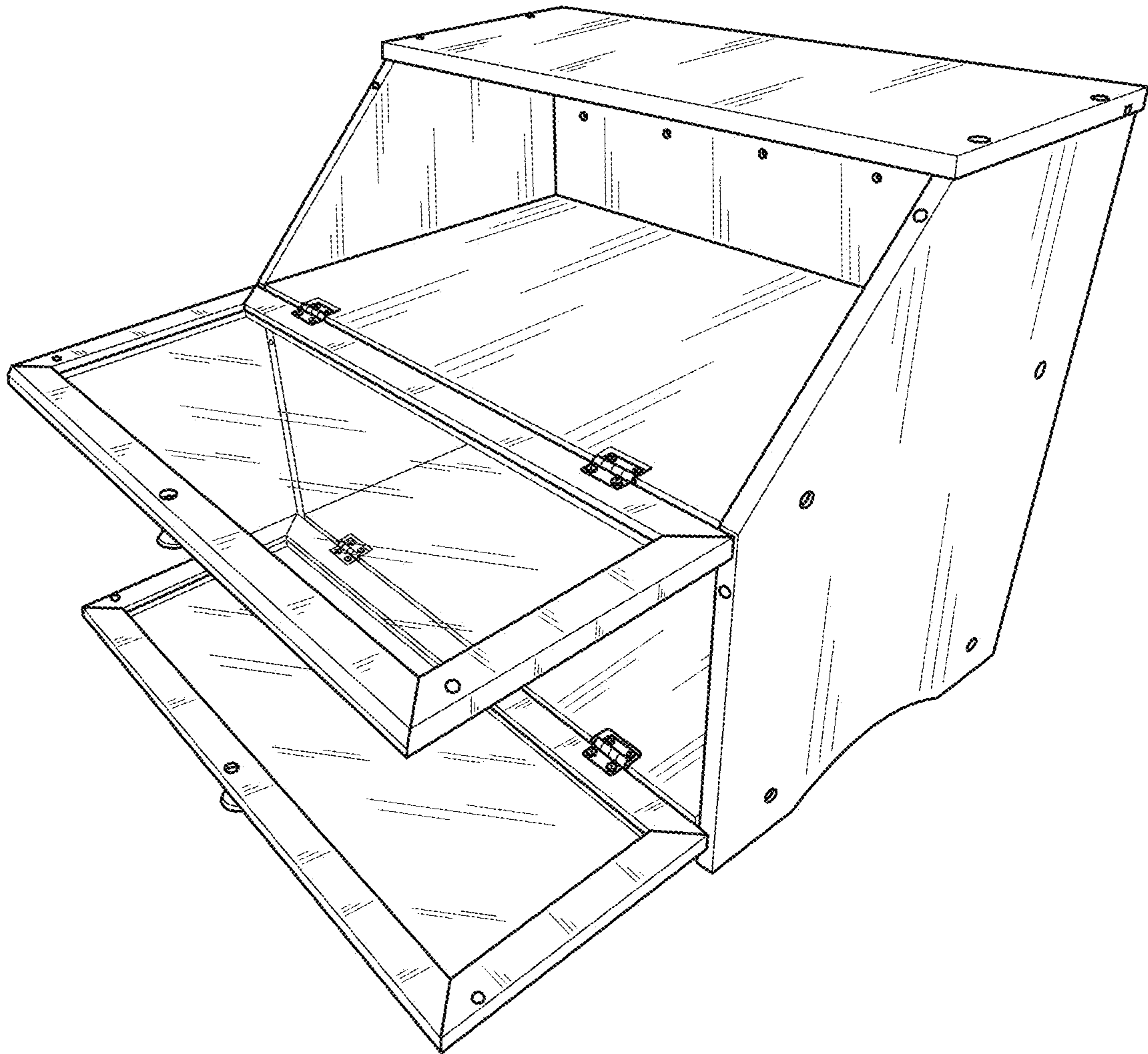


Fig. 7