



US00D922829S

(12) **United States Design Patent** (10) **Patent No.:** **US D922,829 S**
Campbell et al. (45) **Date of Patent:** **** Jun. 22, 2021**

- (54) **CONTAINER ENCLOSURE**
- (71) Applicant: **BottleKeeper, LLC**, Houston, TX (US)
- (72) Inventors: **Matthew T. Campbell**, Cave Creek, AZ (US); **Adam Callinan**, Manhattan Beach, CA (US)
- (73) Assignee: **BottleKeeper, LLC**, Houston, TX (US)
- (**) Term: **15 Years**
- (21) Appl. No.: **29/740,742**
- (22) Filed: **Jul. 7, 2020**

Related U.S. Application Data

- (63) Continuation of application No. 29/714,002, filed on Nov. 20, 2019, now Pat. No. Des. 889,209, which is a continuation of application No. 29/688,748, filed on Apr. 24, 2019, now Pat. No. Des. 869,909, which is a continuation of application No. 29/670,065, filed on Nov. 13, 2018, now Pat. No. Des. 852,001.
- (51) **LOC (13) Cl.** **07-01**
- (52) **U.S. Cl.**
USPC **D7/608**
- (58) **Field of Classification Search**
USPC D7/603–608, 509–511; D9/500–505, D9/443, 516, 532, 522, 558
CPC B65D 81/3837; B65D 81/3839; B65D 81/3841; B65D 81/3844; B65D 81/3846; B65D 81/3869; B65D 81/3881; B65D 81/3876; A47J 41/0005; A47J 41/0083; A47J 41/02; A47J 41/024; A47J 41/026; A47J 41/028; A47J 41/0077; A47J 41/00; A47J 41/022; F25D 2331/803; F25D 3/08; A45C 11/20

See application file for complete search history.

(56) **References Cited**
U.S. PATENT DOCUMENTS

- 441,228 A 11/1890 Cherbonnier
 - 460,918 A 10/1891 Kraetzer
- (Continued)

FOREIGN PATENT DOCUMENTS

- DE 4126215 A1 2/1993
 - DE 102004025620 A1 2/2006
- (Continued)

OTHER PUBLICATIONS

Back2Tap, [online], Reusable Bottles posted on Jan. 6, 2011, retrieved on Jan. 28, 2019. Retrieved from, <URL: <http://www.back2tap.com/tag/stainless-steel-water-bottles/>>, 3 pages.
(Continued)

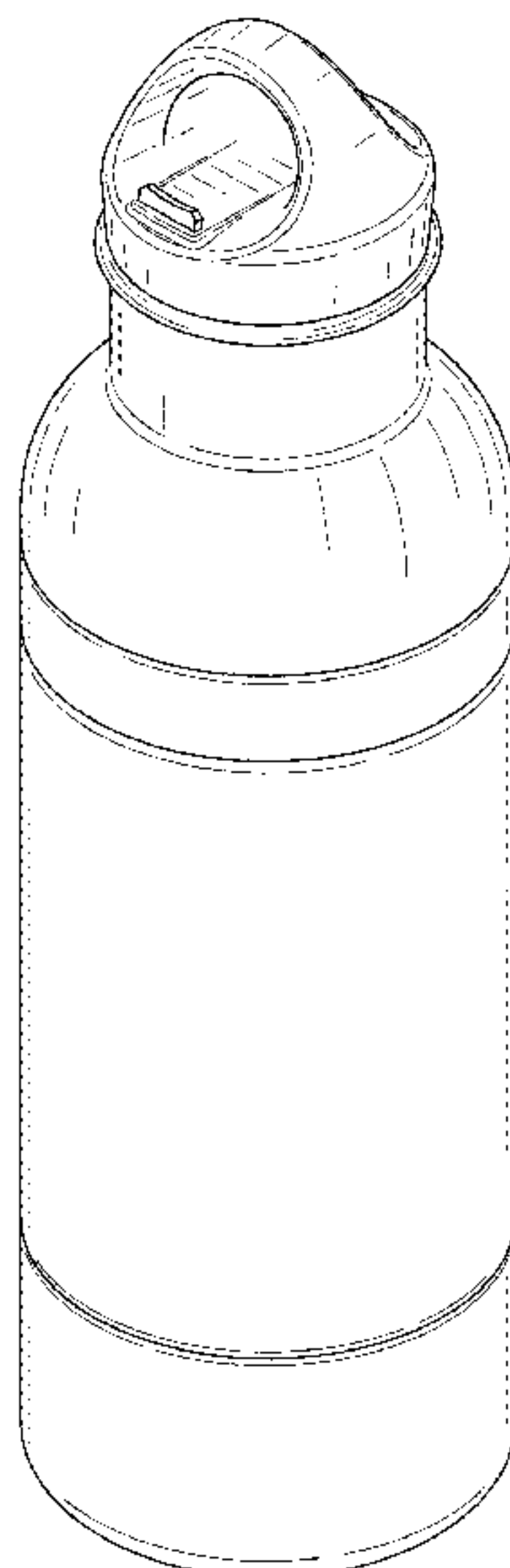
Primary Examiner — Terry A Wallace
(74) *Attorney, Agent, or Firm* — Quarles & Brady LLP

(57) **CLAIM**
The ornamental design for a container enclosure, as shown and described.

DESCRIPTION

FIG. 1 is an isometric view of a front, top, and right side of an ornamental design for a container enclosure;
FIG. 2 is a front elevational view of the container enclosure of FIG. 1;
FIG. 3 is a rear elevational view of the container enclosure of FIG. 1;
FIG. 4 is a right side elevational view of the container enclosure of FIG. 1;
FIG. 5 is a left side elevational view of the container enclosure of FIG. 1;
FIG. 6 is a top plan view of the container enclosure of FIG. 1; and,
FIG. 7 is a bottom plan view of the container enclosure of FIG. 1.

1 Claim, 4 Drawing Sheets



(56)

References Cited

U.S. PATENT DOCUMENTS

2,163,568 A	6/1939	Schlumbohm	
2,889,065 A	6/1959	Lawlor	
2,963,187 A *	12/1960	Bramming	A47J 41/02 215/12.1
3,120,319 A	2/1964	Buddrus	
3,229,840 A	1/1966	Filleul	
3,308,980 A	3/1967	Taylor	
3,335,891 A	8/1967	Bailey	
4,444,324 A	4/1984	Grenell	
4,510,769 A *	4/1985	McClellan, Jr. ...	B65D 81/3879 215/12.1
D279,346 S *	6/1985	Ruxton	D7/321
4,690,300 A	9/1987	Woods	
4,768,664 A	9/1988	Zimmermann	
4,811,858 A	3/1989	Augur	
4,823,974 A	4/1989	Crosser	
D321,628 S *	11/1991	Kobayashi	D7/608
5,186,350 A	2/1993	McBride	
5,213,215 A	5/1993	Prevot	
5,261,554 A	11/1993	Forbes	
5,417,327 A	5/1995	Saumure	
5,635,232 A	6/1997	Wallace	
5,695,090 A	12/1997	Burdick	
5,745,626 A	4/1998	Duck et al.	
5,904,267 A	5/1999	Thompson	
D410,548 S	6/1999	Chomik	
5,975,337 A	11/1999	Hadley	
5,992,677 A	11/1999	Ebine	
6,427,863 B1	8/2002	Nichols	
6,467,644 B1	10/2002	Yeh	
6,604,649 B1 *	8/2003	Campi	B65D 81/3886 220/592.17
D495,208 S	8/2004	Putnam	
6,793,076 B1	9/2004	Luo et al.	
D512,874 S	12/2005	Poulson et al.	
D543,791 S	6/2007	Goto et al.	
D547,610 S	7/2007	Edelstein et al.	
D553,914 S	10/2007	Wahl	
D573,390 S	7/2008	Ablo	
D586,186 S	2/2009	Bhavnani	
D604,561 S	11/2009	Chisholm	
D614,918 S *	5/2010	Chisholm	D7/510
D615,823 S	5/2010	Gilbert	
D616,743 S *	6/2010	Cresswell	D9/443
D619,418 S	7/2010	Nezu et al.	
D621,220 S	8/2010	Lown et al.	
D624,362 S	9/2010	Wahl	
D626,416 S *	11/2010	Cresswell	D7/510
D627,227 S	11/2010	Andis	
D627,601 S *	11/2010	Eyal	D7/510
D628,486 S	12/2010	Lane	
D632,522 S	2/2011	Wahl et al.	
D632,524 S	2/2011	Rosbach et al.	
D633,338 S	3/2011	Rosbach et al.	
D635,457 S *	4/2011	Lane	D7/511
D640,494 S	6/2011	Frederiksen	
D648,984 S	11/2011	Gullickson et al.	
D651,853 S	1/2012	Eyal	
D652,255 S	1/2012	Carland	
D652,682 S	1/2012	Eyal	
D653,081 S	1/2012	George	
D655,581 S	3/2012	Kotani	
D656,025 S	3/2012	Carreno	
D657,196 S	4/2012	Beyers, III	
D658,450 S	5/2012	Ying	
D658,944 S	5/2012	Gilbert et al.	
D660,081 S	5/2012	Gilbert	
D661,945 S	6/2012	Eyal	
D662,767 S	7/2012	Hotell et al.	
D664,809 S *	8/2012	Eyal	D7/510
D670,525 S	11/2012	Fallon et al.	
D672,609 S	12/2012	Aziz et al.	
D675,882 S	2/2013	Crockett	
D676,708 S	2/2013	Lane	
D687,677 S	8/2013	Sturgess	
D689,332 S	9/2013	Krasner	
D691,420 S	10/2013	McIntire	
D691,849 S	10/2013	Cetera et al.	
D693,170 S	11/2013	Rosbach	
D695,069 S	12/2013	Lane	
D695,138 S	12/2013	Ball	
D696,118 S	12/2013	Lindstrom	
D696,900 S	1/2014	George et al.	
D696,945 S	1/2014	Newman	
D699,516 S	2/2014	Kim et al.	
D700,802 S	3/2014	Miller	
D700,808 S	3/2014	Eyal	
D702,086 S	4/2014	Thurlow	
D702,092 S *	4/2014	Mettler	D7/608
D702,506 S *	4/2014	Mettler	D7/608
D705,063 S	5/2014	Weiss	
D706,032 S	6/2014	Roth et al.	
D710,155 S	8/2014	Tatsukawa	
D716,653 S	11/2014	Balembois	
D724,385 S	3/2015	Hurley et al.	
D725,968 S	4/2015	George	
D726,476 S	4/2015	Ercanbrack	
D727,171 S	4/2015	Marina et al.	
D727,671 S	4/2015	Gamelli	
D729,019 S	5/2015	Kilduff et al.	
D736,563 S	8/2015	George	
D737,144 S	8/2015	Hughes et al.	
D738,692 S *	9/2015	Kilduff	D7/615
D740,609 S	10/2015	Ayres	
D741,655 S	10/2015	Whelan et al.	
D743,741 S	11/2015	Itzhaki	
D758,132 S	6/2016	Breit	
D758,800 S	6/2016	Hayslett et al.	
D761,624 S	7/2016	McLean et al.	
D771,357 S	11/2016	Brewer	
D772,014 S	11/2016	Ayres	
9,505,527 B1	11/2016	Campbell	
D774,837 S	12/2016	Seiders et al.	
D779,273 S	2/2017	Lee et al.	
D779,323 S	2/2017	Masrou	
D779,881 S	2/2017	Lee et al.	
D780,530 S	3/2017	Seiders et al.	
D780,531 S	3/2017	Seiders et al.	
D780,532 S	3/2017	Seiders et al.	
D780,533 S	3/2017	Seiders et al.	
D781,662 S	3/2017	Seiders et al.	
D782,881 S *	4/2017	Seiders	D7/510
D783,367 S	4/2017	Seiders et al.	
D783,368 S	4/2017	Seiders et al.	
D784,775 S	4/2017	Seiders et al.	
D785,412 S	5/2017	Petre	
D786,012 S	5/2017	Hein et al.	
D786,617 S	5/2017	Breit	
D787,886 S	5/2017	Cerasani	
D787,893 S	5/2017	Seiders et al.	
D787,894 S	5/2017	Seiders et al.	
9,637,270 B2	5/2017	Campbell	
D788,544 S	6/2017	Seiders et al.	
D789,796 S	6/2017	McSweeney et al.	
D790,285 S	6/2017	Seiders et al.	
D791,550 S	7/2017	Marret	
D794,397 S	8/2017	Seiders et al.	
D795,019 S	8/2017	Seiders et al.	
D795,020 S	8/2017	Seiders et al.	
D796,261 S	9/2017	Khalifa et al.	
D799,898 S	10/2017	Yao	
D799,900 S	10/2017	Santos et al.	
D799,906 S	10/2017	Seiders et al.	
D799,907 S	10/2017	Seiders et al.	
D799,908 S	10/2017	Seiders et al.	
D800,502 S	10/2017	Weernink	
D803,064 S	11/2017	Marina et al.	
D803,632 S	11/2017	Seiders et al.	
D804,906 S	12/2017	Diener et al.	
D805,852 S	12/2017	Seiders et al.	
D806,477 S	1/2018	Wray et al.	
D807,125 S	1/2018	Seiders et al.	
D808,220 S	1/2018	Burns et al.	
D809,344 S	2/2018	Guthrie	

(56)

References Cited

U.S. PATENT DOCUMENTS

D809,920 S 2/2018 Maple
 D811,817 S 3/2018 Harrington, III et al.
 D811,818 S 3/2018 Wu
 D813,613 S 3/2018 Wall
 D814,241 S 4/2018 Nickley et al.
 D814,865 S 4/2018 Breit
 D816,411 S 5/2018 Stover
 D817,713 S 5/2018 Lin
 D817,714 S 5/2018 Breit
 D818,775 S 5/2018 Woodruff
 D819,403 S 6/2018 Li et al.
 D820,650 S 6/2018 Seiders et al.
 D821,138 S 6/2018 Silsby et al.
 D823,068 S 7/2018 Seiders et al.
 D823,069 S 7/2018 Seiders et al.
 D824,218 S 7/2018 Seiders et al.
 D828,094 S 9/2018 Jackson et al.
 D828,095 S 9/2018 Jackson et al.
 D829,056 S 9/2018 Wall
 D829,058 S 9/2018 Seiders et al.
 D829,101 S 9/2018 Spivey et al.
 D830,773 S 10/2018 Jacobsen
 D830,774 S 10/2018 Jacobsen
 D830,784 S 10/2018 Moore et al.
 D831,436 S 10/2018 Seiders et al.
 D834,373 S 11/2018 Spivey et al.
 10,118,735 B2 11/2018 Campbell
 D837,597 S 1/2019 Silsby
 10,384,832 B2 8/2019 Johnson
 2004/0045972 A1 3/2004 Stokes
 2004/0124192 A1 7/2004 Teller
 2005/0224442 A1 10/2005 White
 2005/0269322 A1 12/2005 Betras et al.
 2007/0051687 A1 3/2007 Olson
 2007/0119517 A1 5/2007 Grace
 2007/0125785 A1 6/2007 Robinson et al.
 2007/0175906 A1 8/2007 Caladrino
 2007/0221693 A1 9/2007 Moore
 2009/0056369 A1 3/2009 Fink et al.
 2009/0266737 A1 10/2009 Cole
 2010/0005828 A1 1/2010 Fedell
 2010/0084362 A1 4/2010 Letchinger et al.
 2010/0288723 A1 11/2010 Mayer
 2011/0011823 A1 1/2011 Moore
 2011/0114588 A1 5/2011 Nowzari

2011/0204048 A1* 8/2011 Carino A45F 3/18
 220/4.03
 2012/0145591 A1 6/2012 Ceder
 2012/0199548 A1 8/2012 Kitto
 2013/0153591 A1 6/2013 Grimes et al.
 2013/0206717 A1* 8/2013 Lane A47J 31/18
 215/6
 2014/0238949 A1* 8/2014 Patel B65D 21/0228
 215/6
 2015/0021346 A1 1/2015 Cappuccio
 2018/0194518 A1 7/2018 Li et al.
 2018/0194537 A1 7/2018 Chan

FOREIGN PATENT DOCUMENTS

EP 1452455 A1 9/2004
 FR 1054716 A 2/1954
 JP 2008030773 A 2/2008
 KR 20100000510 U 1/2010
 TW M460607 U 9/2013
 WO 2008063750 A2 5/2008

OTHER PUBLICATIONS

Benefits of Stainless Steel Water Bottles, [online] posted on Mar. 1, 2012, retrieved on Jan. 28, 2019. Retrieved from <URL: <https://b2bbusinessnews.wordpress.com/2012/03/01/benefits-of-stainless-steel-water-bottles/>>, 3 pages.
 Brewtis the BottleKeeper. [online], posted on Dec. 28, 2013, retrieved on Jan. 28, 2019. Retrieved from, <URL: <http://www.dudeiwanthat.com/gear/food-drink/brewtis-the-bottlekeeper.asp>>, 22 pages.
 EarthLust Stainless Steel Water Bottle, [online], product reviewed on Oct. 17, 2008, retrieved on Jan. 28, 2019, Retrieved from, <URL: <https://www.amazon.com/dp/B001DYOCOW?tag=new-best-seller-20>>, 4 pages.
 Neiko 71010 Stainless Steel Sports Water Bottle, [online], published on Nov. 3, 2009, retrieved on Jan. 28, 2019, Retrieved from, <URL: https://www.amazon.com/Eco-Friendly-Mouth-Stainless-Steel-Bottle/dp/B002VDA2AC/ref=sr_1_107?s=sporting-goods&ie=UTF8&qid=1396116064&s%E2%80%A6>, 8 pages.
 Wawabots Personalized Photo Water Bottles, [online], published on Nov. 30, 2011, retrieved on Jan. 28, 2019. Retrieved from, <URL: <https://inhabitat.com/inhabitatots/product-review-wawabots-personalized-photo-water-bottles/>>, 7 pages.

* cited by examiner

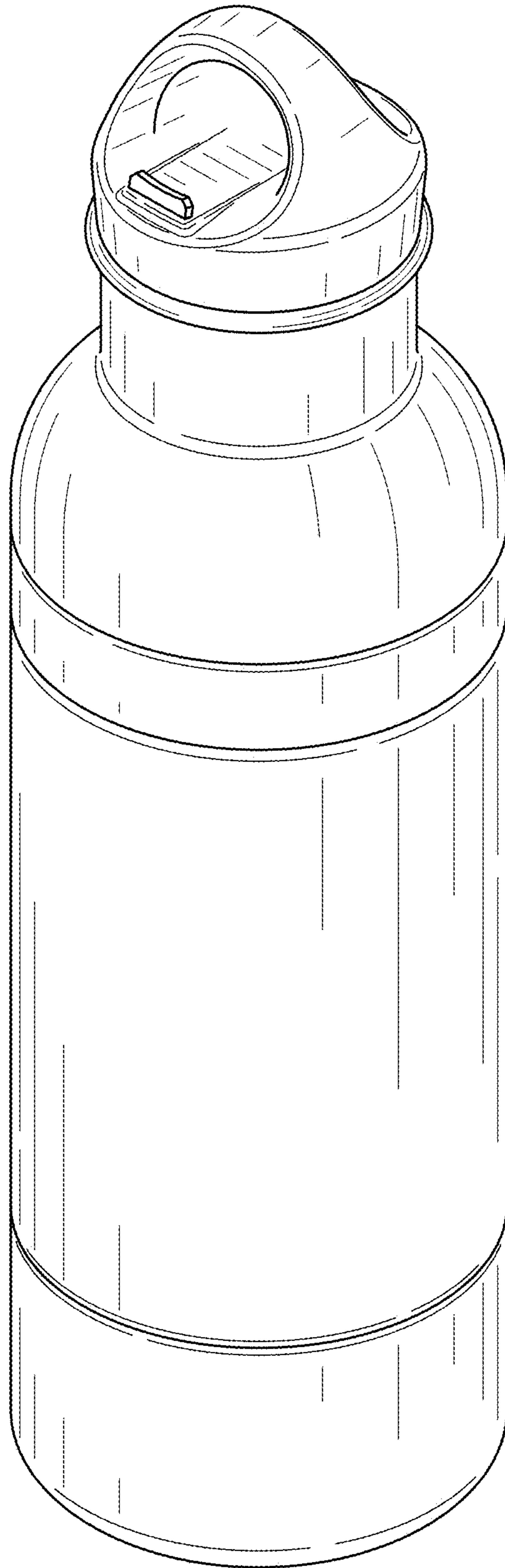


FIG. 1

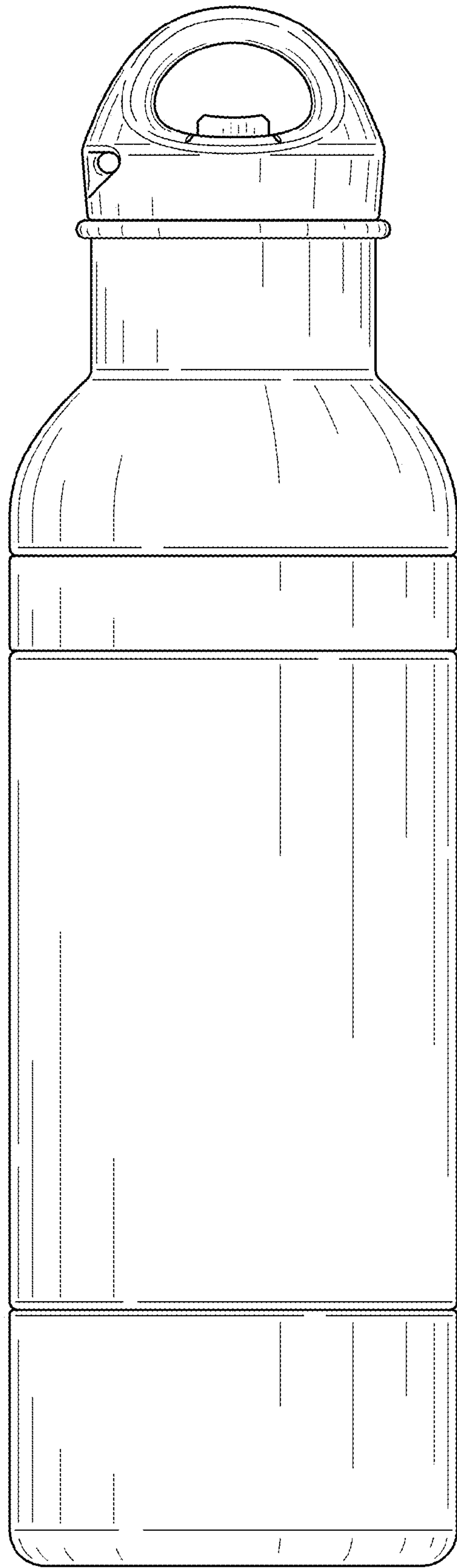


FIG. 2

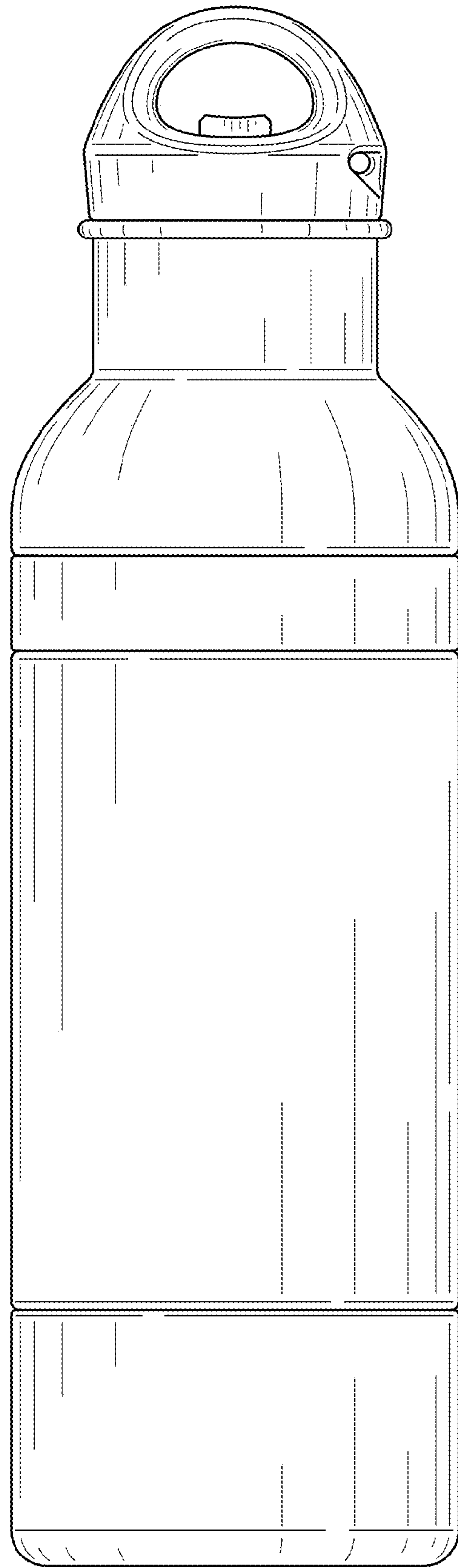


FIG. 3

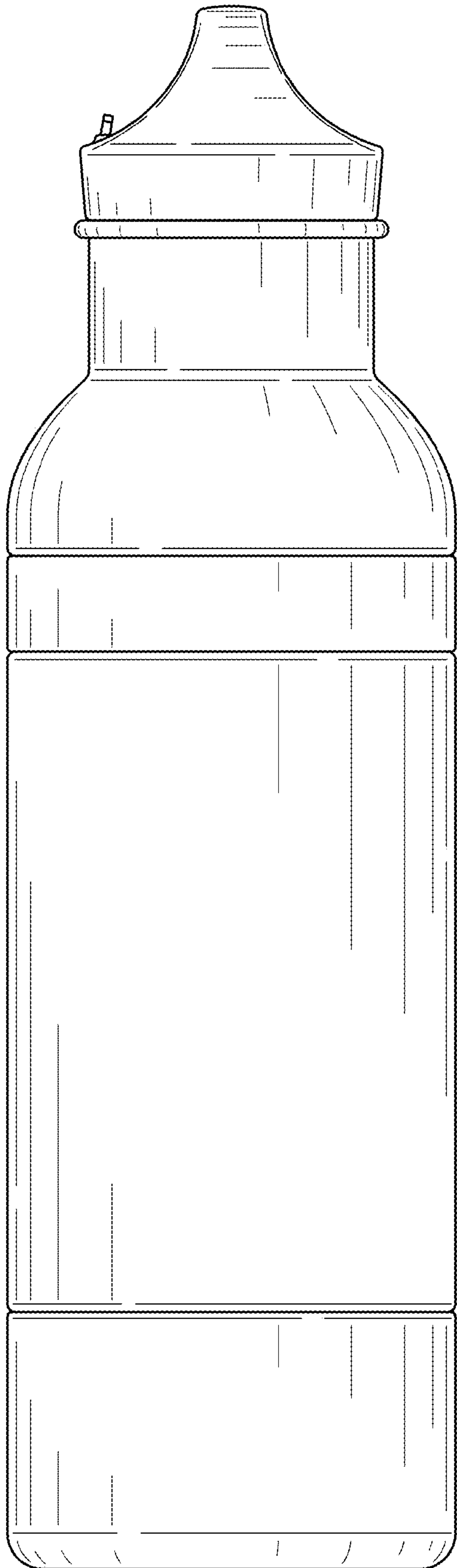


FIG. 4

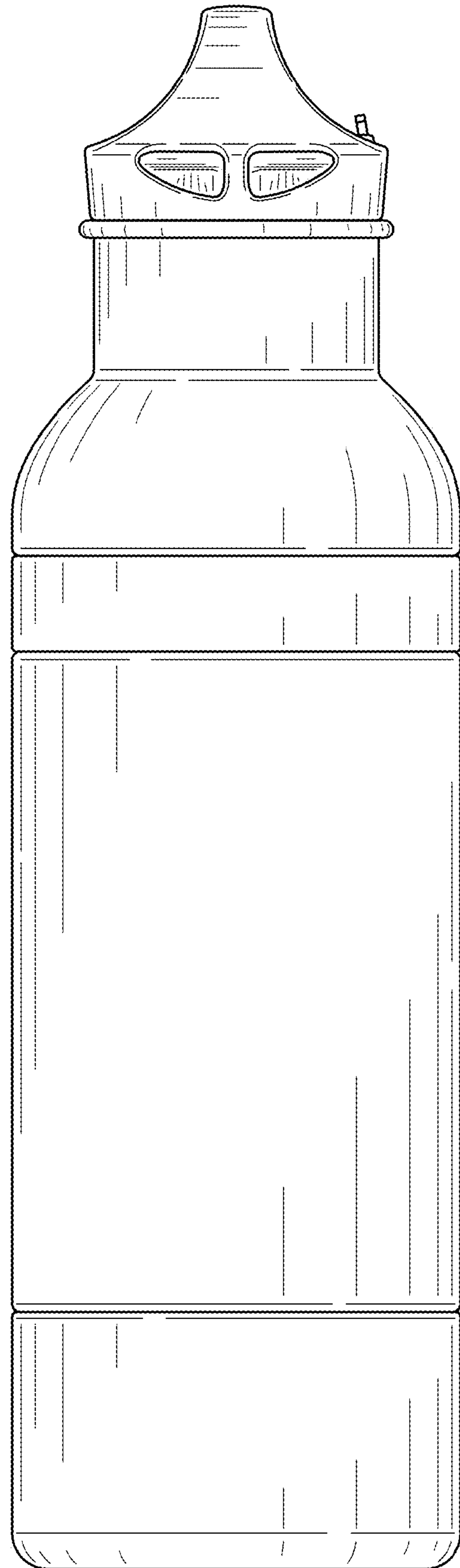


FIG. 5

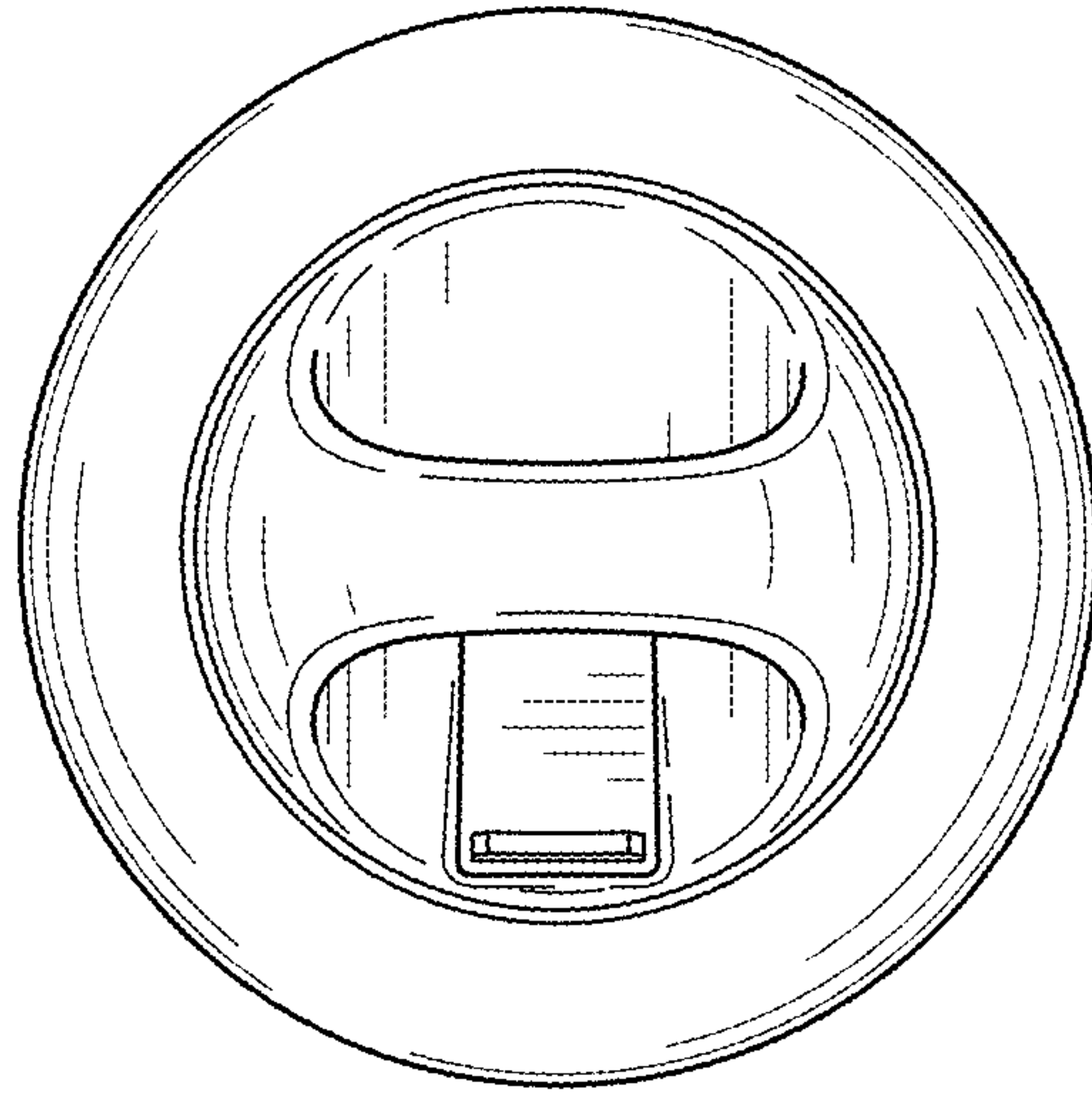


FIG. 6

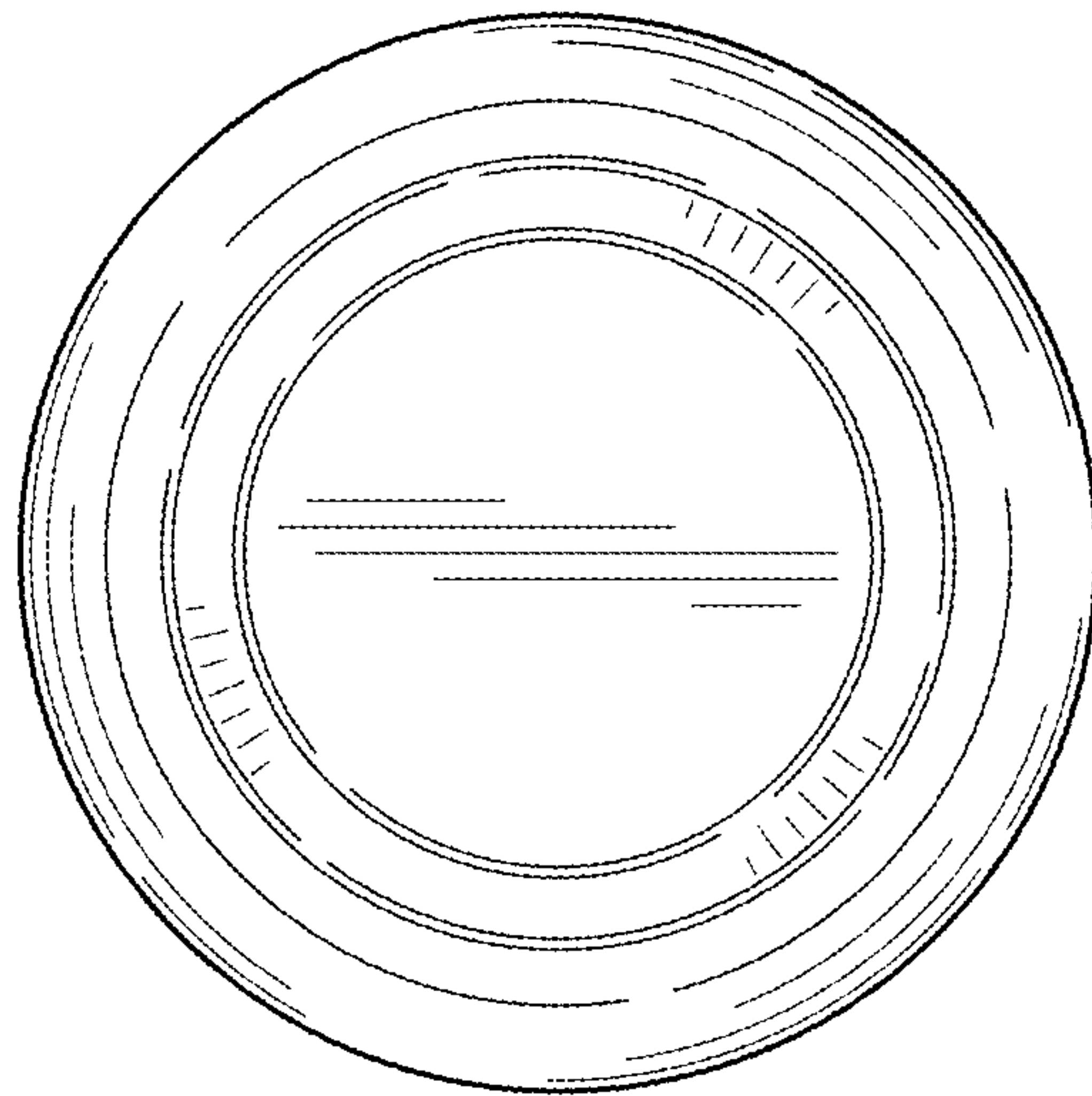


FIG. 7