



US00D922827S

(12) **United States Design Patent**  
**Wu**

(10) **Patent No.:** **US D922,827 S**

(45) **Date of Patent:** **\*\* Jun. 22, 2021**

(54) **TEA BOX**

(71) Applicant: **Yuanyuan Wu**, Longgang (CN)

(72) Inventor: **Yuanyuan Wu**, Longgang (CN)

(\*\*) Term: **15 Years**

(21) Appl. No.: **29/768,162**

(22) Filed: **Jan. 28, 2021**

(51) **LOC (13) Cl.** ..... **07-06**

(52) **U.S. Cl.**  
USPC ..... **D7/590**

(58) **Field of Classification Search**  
USPC ..... D7/590, 601, 602, 701; D6/663, 672,  
D6/675; D3/201, 205, 903  
CPC . A47F 7/02; A47F 7/024; A45C 11/10; A45C  
11/16  
See application file for complete search history.

(56) **References Cited**

**U.S. PATENT DOCUMENTS**

D266,115 S *	9/1982	Glenn, Sr. ....	D3/295
D285,743 S *	9/1986	Richwine .....	D3/903
D361,430 S *	8/1995	Mohundro .....	D3/296
D550,512 S	9/2007	Delsol	
D643,216 S *	8/2011	Greiner .....	D3/296
D685,578 S *	7/2013	Pestell .....	D3/294
D757,434 S *	5/2016	Beilman .....	D3/284
D805,815 S *	12/2017	Leonorovitz .....	D6/667
D812,934 S *	3/2018	Leonorovitz .....	D6/667
D856,132 S	8/2019	Popov	

D878,113 S *	3/2020	Leonorovitz .....	D6/667
D883,750 S	5/2020	Chen	
2003/0205577 A1*	11/2003	Au .....	A45C 11/16 220/9.1

**OTHER PUBLICATIONS**

Wooden Tea Box | posted at Amazon.com, posted on Jan. 30, 2021, © 1996-2021 Amazon.com, [online], [site visited May 4, 2021]. Available from Internet, <URL:https://www.amazon.com/Organizer-Storage-Antique-Compartments-drawers/dp/B08VFJ8V5T/ref=psdc\_3118175011\_t1\_B08B4DR6H8> (Year: 2021).\*

\* cited by examiner

*Primary Examiner* — Susan E Krakower  
*Assistant Examiner* — Andrew Kerr  
(74) *Attorney, Agent, or Firm* — True Shepherd LLC;  
Andrew C. Cheng

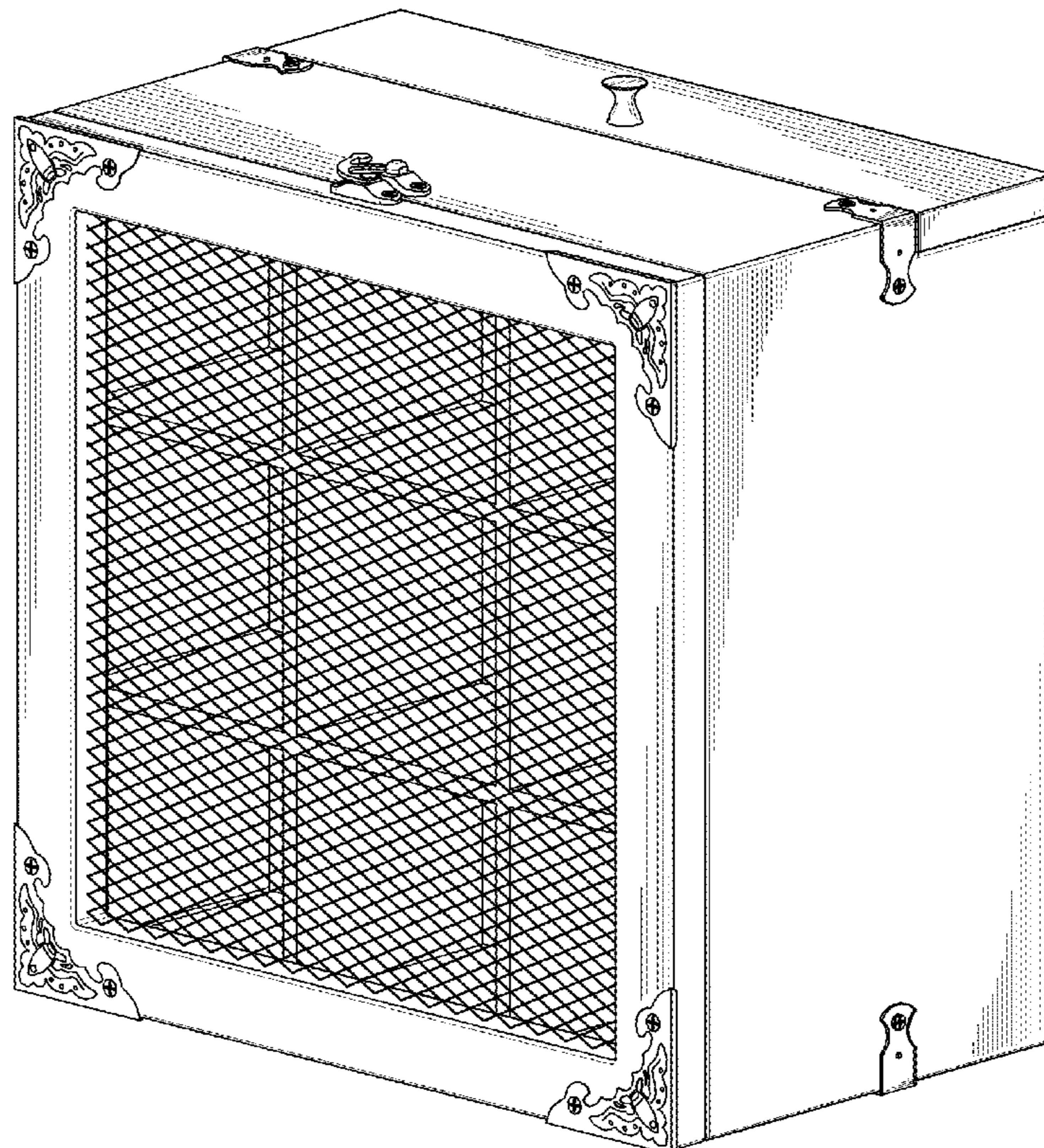
(57) **CLAIM**

The ornamental design for tea box, as shown and described.

**DESCRIPTION**

FIG. 1 is a perspective view of a tea box showing my new design;  
FIG. 2 is another perspective view thereof;  
FIG. 3 is a front elevation view thereof;  
FIG. 4 is a rear elevation view thereof;  
FIG. 5 is a left side elevation view thereof;  
FIG. 6 is a right side elevation view thereof;  
FIG. 7 is a top plan view thereof; and,  
FIG. 8 is a bottom plan view thereof.

**1 Claim, 8 Drawing Sheets**



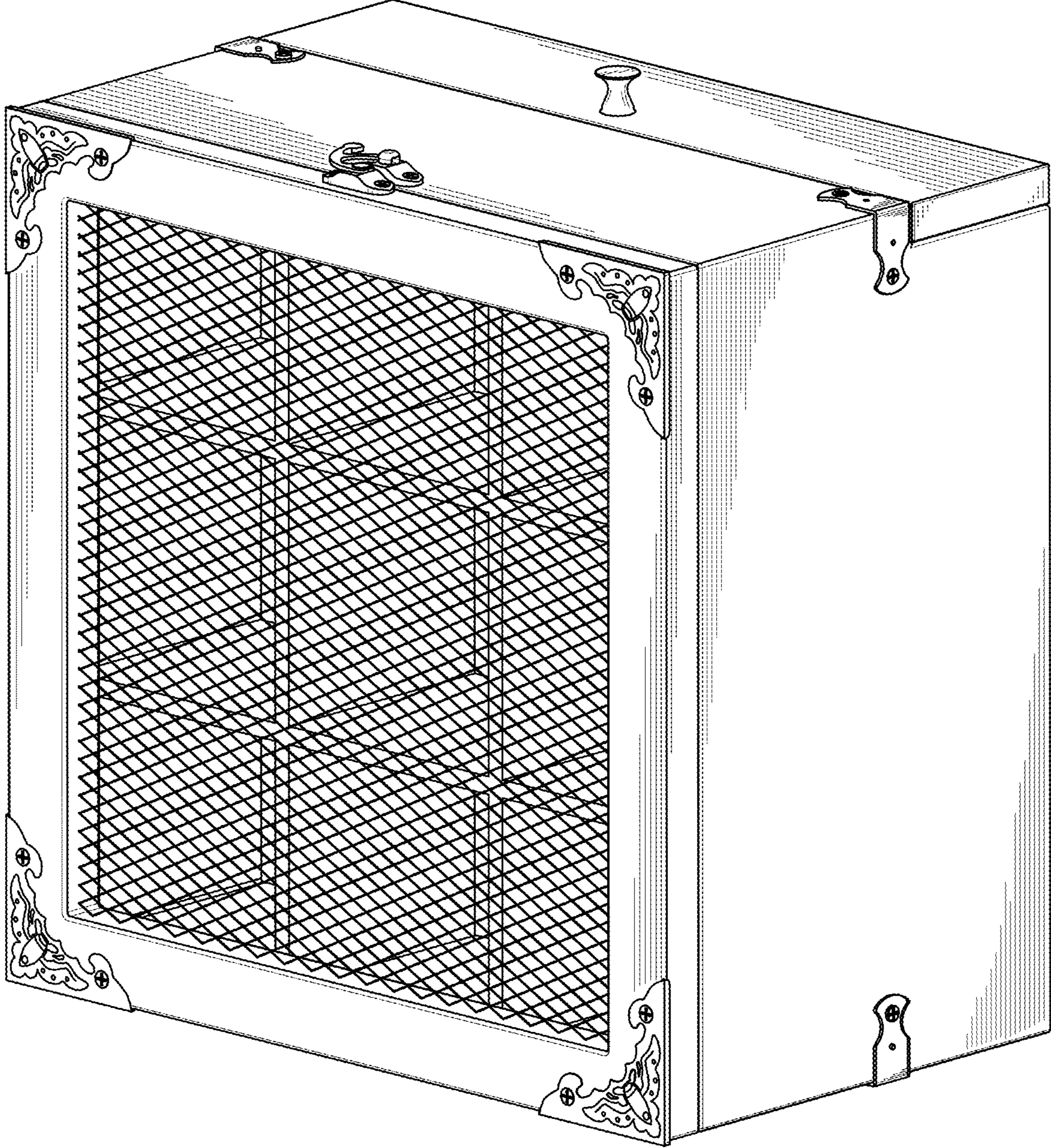


FIG. 1

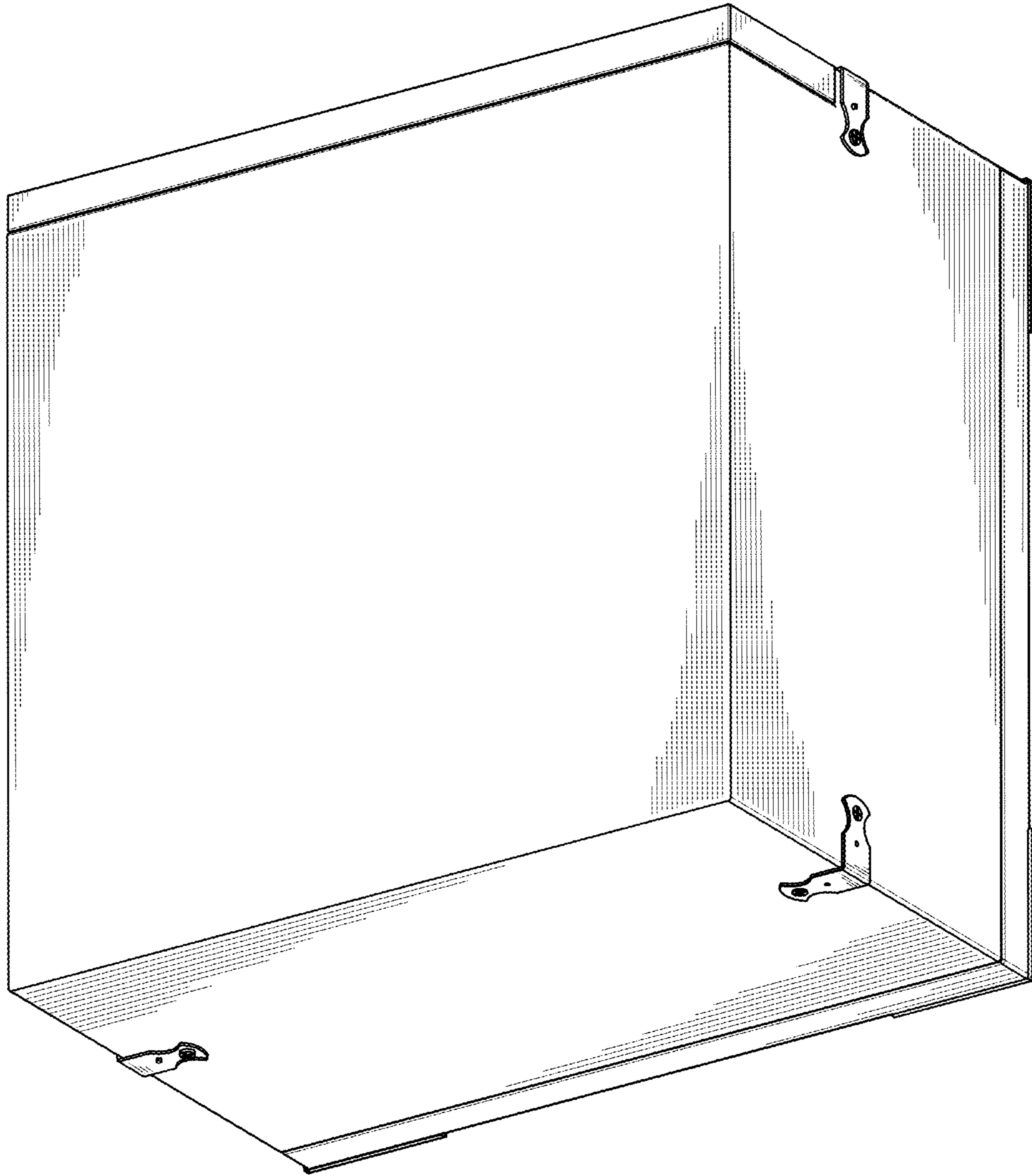


FIG. 2

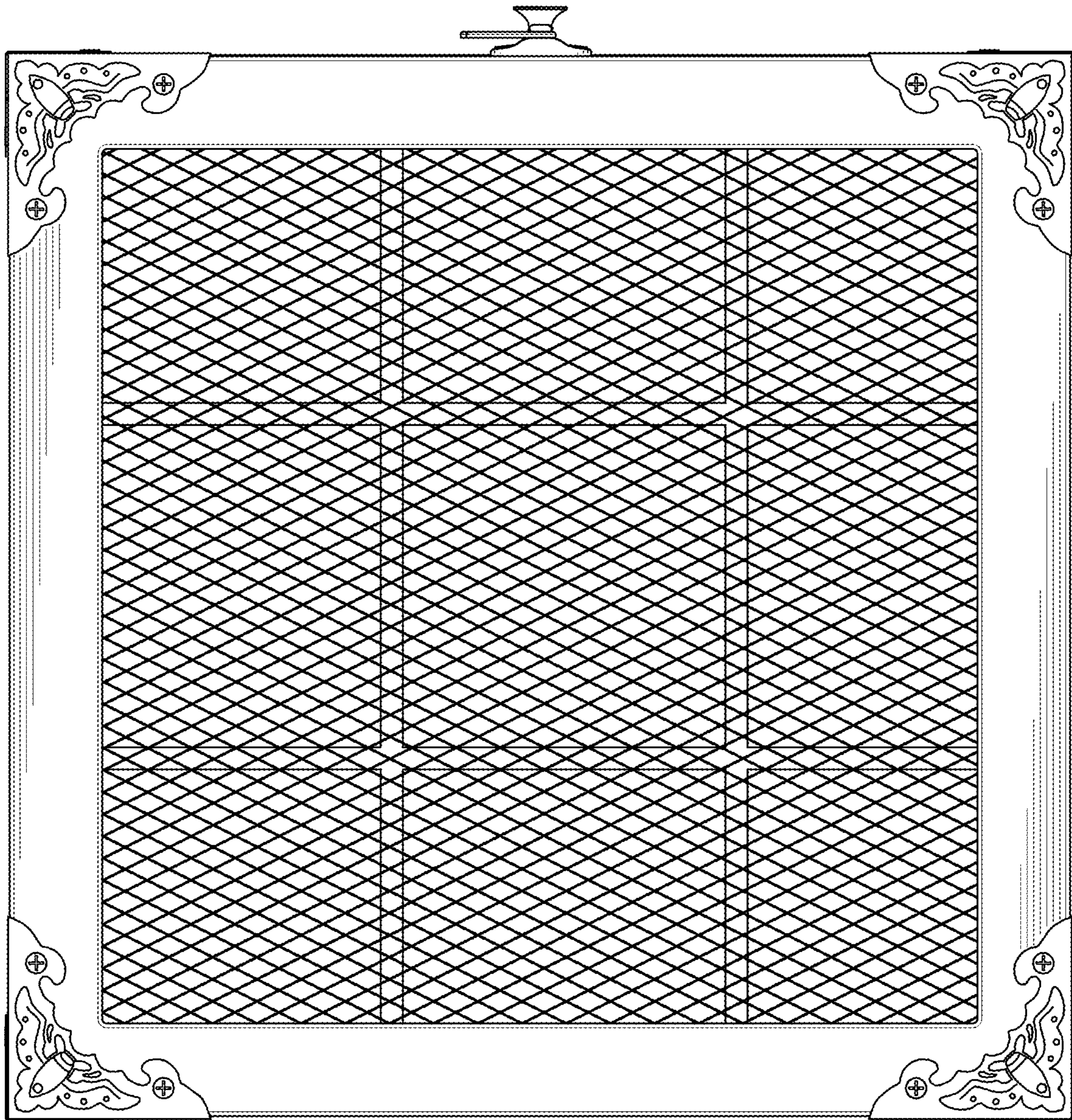


FIG. 3

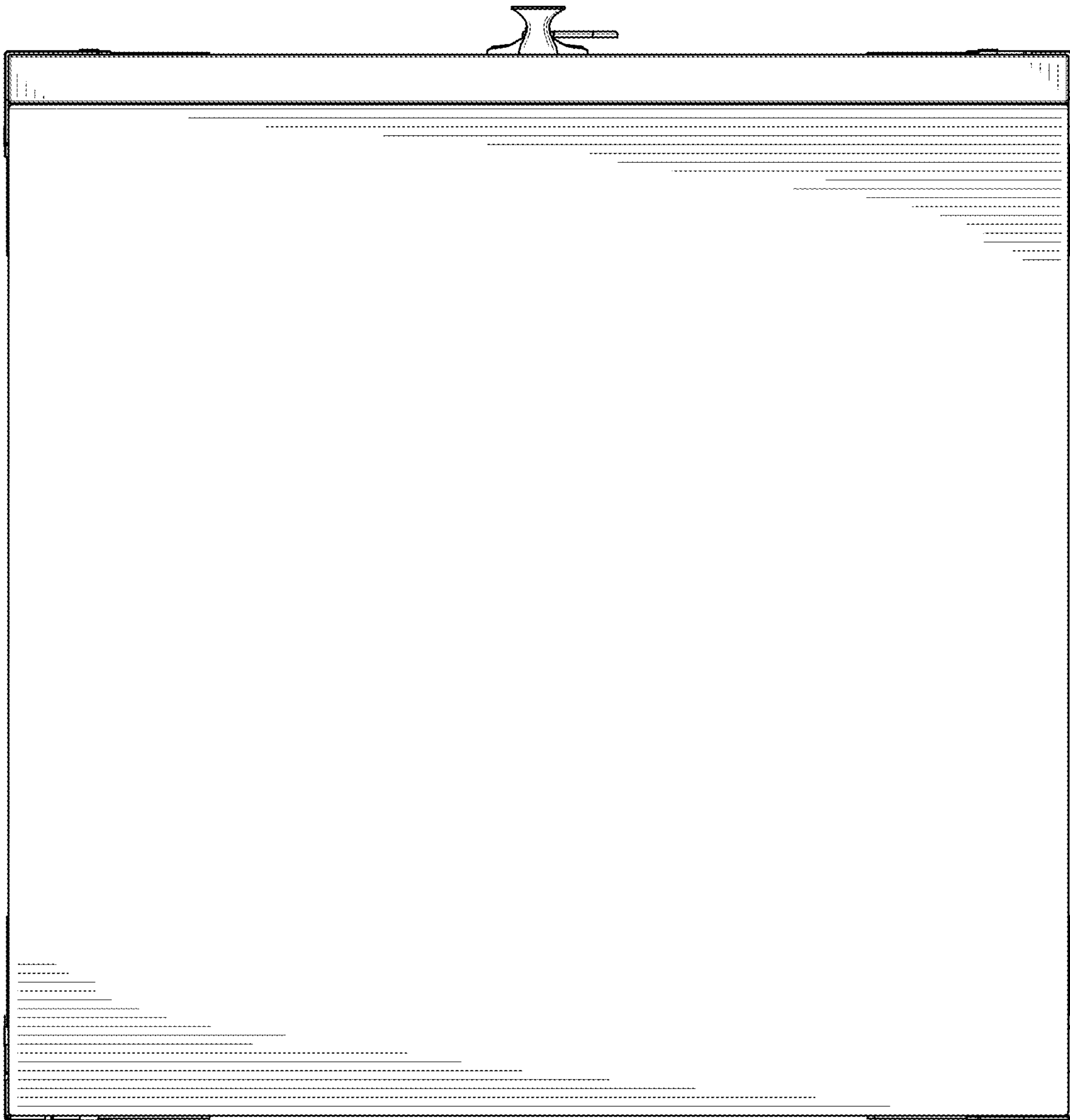


FIG. 4

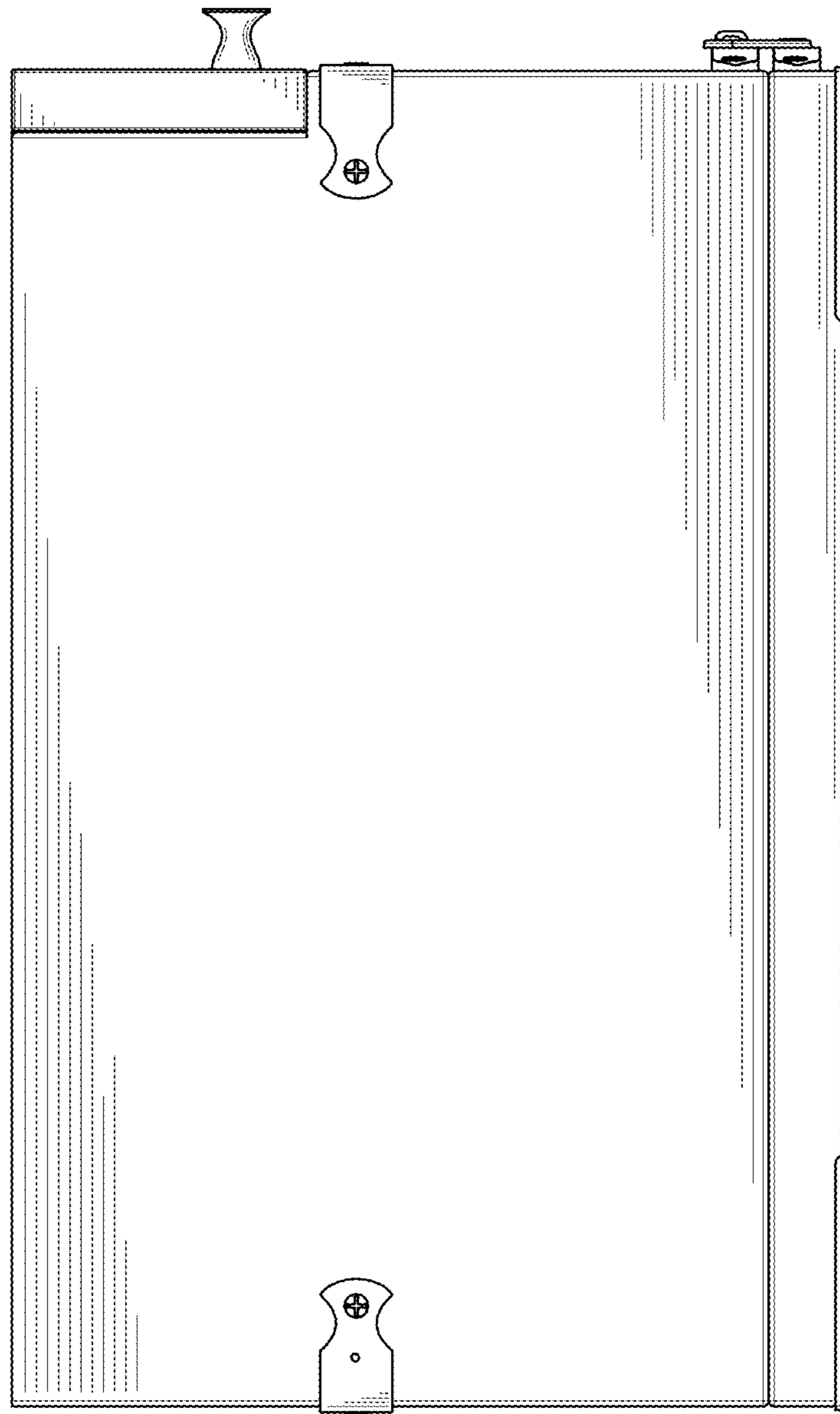


FIG. 5

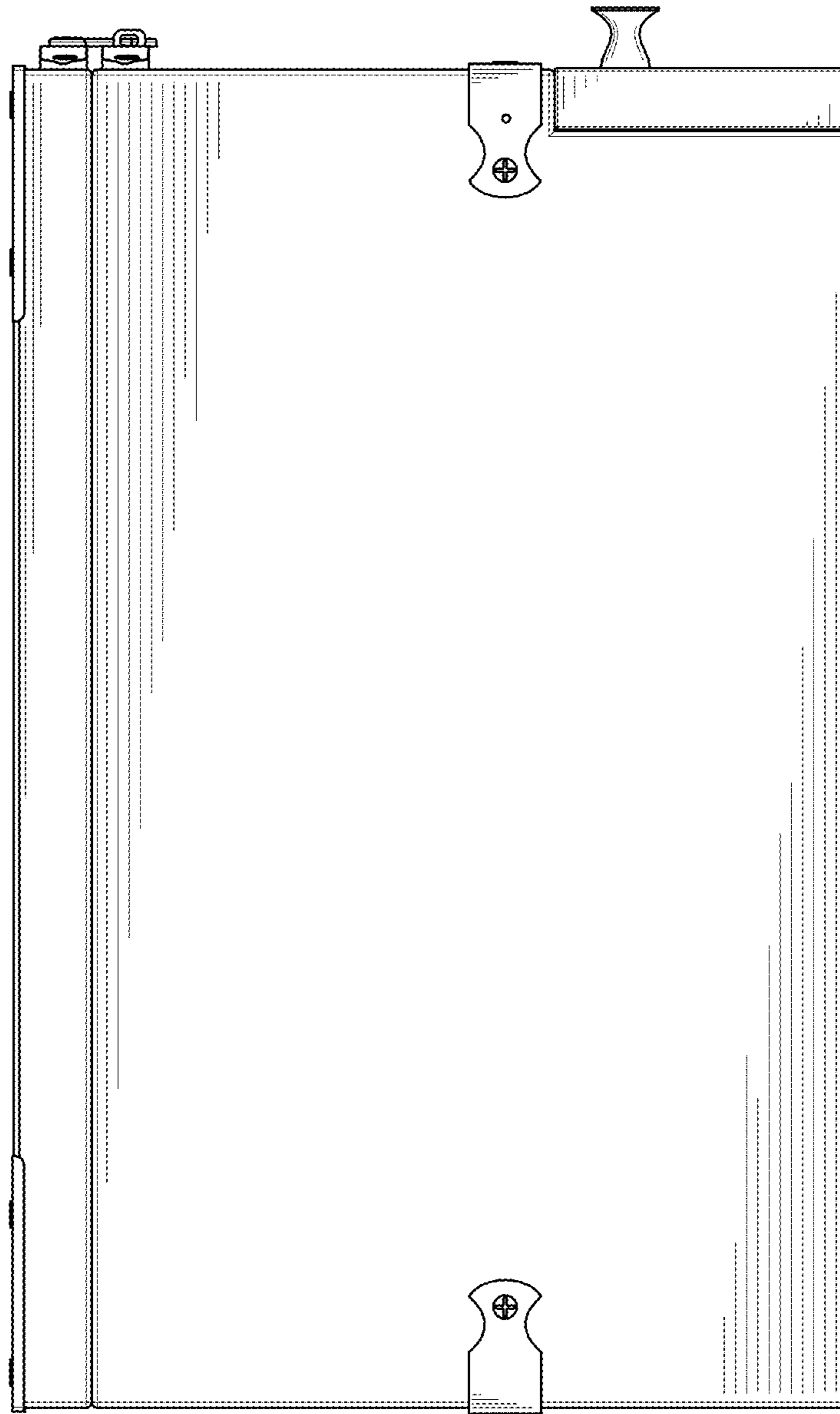


FIG. 6

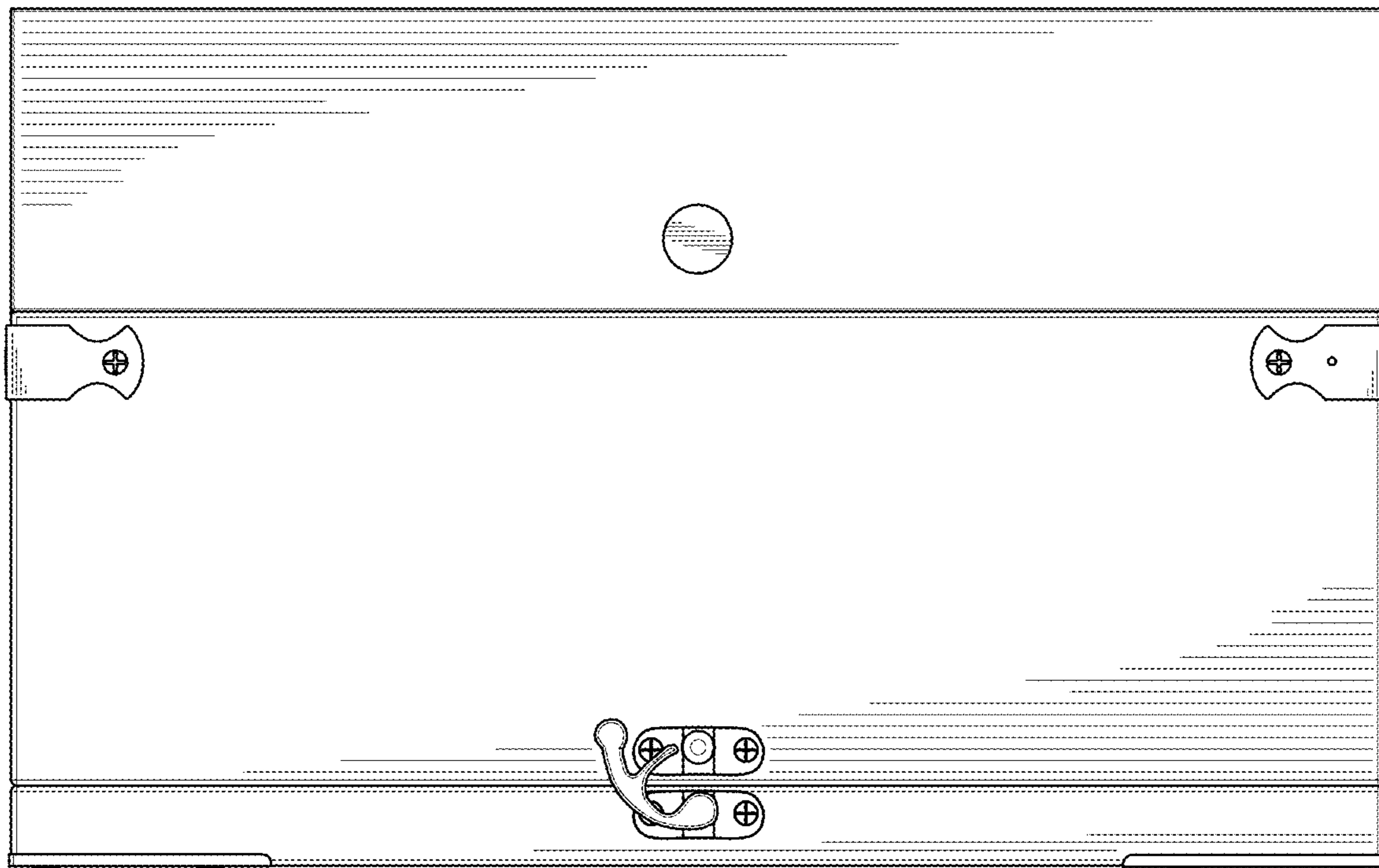


FIG. 7





FIG. 8