



US00D922824S

(12) **United States Design Patent** (10) **Patent No.:** **US D922,824 S**
Wiens (45) **Date of Patent:** **** Jun. 22, 2021**

(54) **COVER FOR A BUTTER DISH**
(71) Applicant: **Dutch Ideas, LLC**, Renton, WA (US)
(72) Inventor: **Ryan Wiens**, Renton, WA (US)
(73) Assignee: **Dutch Ideas, LLC**, Renton, WA (US)
(**) Term: **15 Years**
(21) Appl. No.: **29/700,589**
(22) Filed: **Aug. 2, 2019**
(51) **LOC (13) Cl.** **07-01**
(52) **U.S. Cl.**
USPC **D7/502**
(58) **Field of Classification Search**
USPC D7/368, 381, 387, 389, 500, 502, 504,
D7/669, 670, 672-677, 679, 693, 538,
D7/542, 545
CPC A21C 11/106; A47G 19/265; A47G 19/30;
A47G 2019/306; A47G 2021/002; A47G
21/001; A47G 21/004; A47G 21/005;
A47J 9/00; A47J 17/00; A47J 17/02;
A47J 17/04; A47J 17/10; B26B 5/008;
B26D 3/11; B26D 3/18; B26D 3/185;
B26D 3/26; B26D 3/28; B26D 3/283;
B26D 2003/285-288; B26D 2210/02;
B26D 2210/04; B26F 1/40; B26F 1/44;
B65D 5/18; B65D 75/14
See application file for complete search history.

(56) **References Cited**
U.S. PATENT DOCUMENTS
D176,101 S * 11/1955 Bonistall D7/502
D186,679 S * 11/1959 Hopcraft D7/502
D216,214 S * 12/1969 Erembodegem D7/502
D245,243 S * 8/1977 Kerr D12/95
D280,964 S * 10/1985 Wolff D7/629
D486,995 S * 2/2004 Liu D7/502

D572,582 S * 7/2008 Lymn D9/426
D673,533 S * 1/2013 Ennabli D14/230
D855,387 S * 8/2019 Wang D7/391
D882,344 S * 4/2020 Lin D7/609
D909,349 S * 2/2021 Kentley-Klay D14/230

OTHER PUBLICATIONS

Tablecraft Clear Glass Buter Dish, first available Dec. 31, 2009, Amazon, [online], [site visited Feb. 18, 2021], Available from internet URL: <https://www.amazon.com/Tablecraft-H124-Clear-Glass-Butter/dp/B002BU21ZO> (Year: 2009).*

(Continued)

Primary Examiner — Jeffrey D Asch
Assistant Examiner — Natalya M Rapundalo
(74) *Attorney, Agent, or Firm* — Dascenzo Gates Intellectual Property Law, P.C.

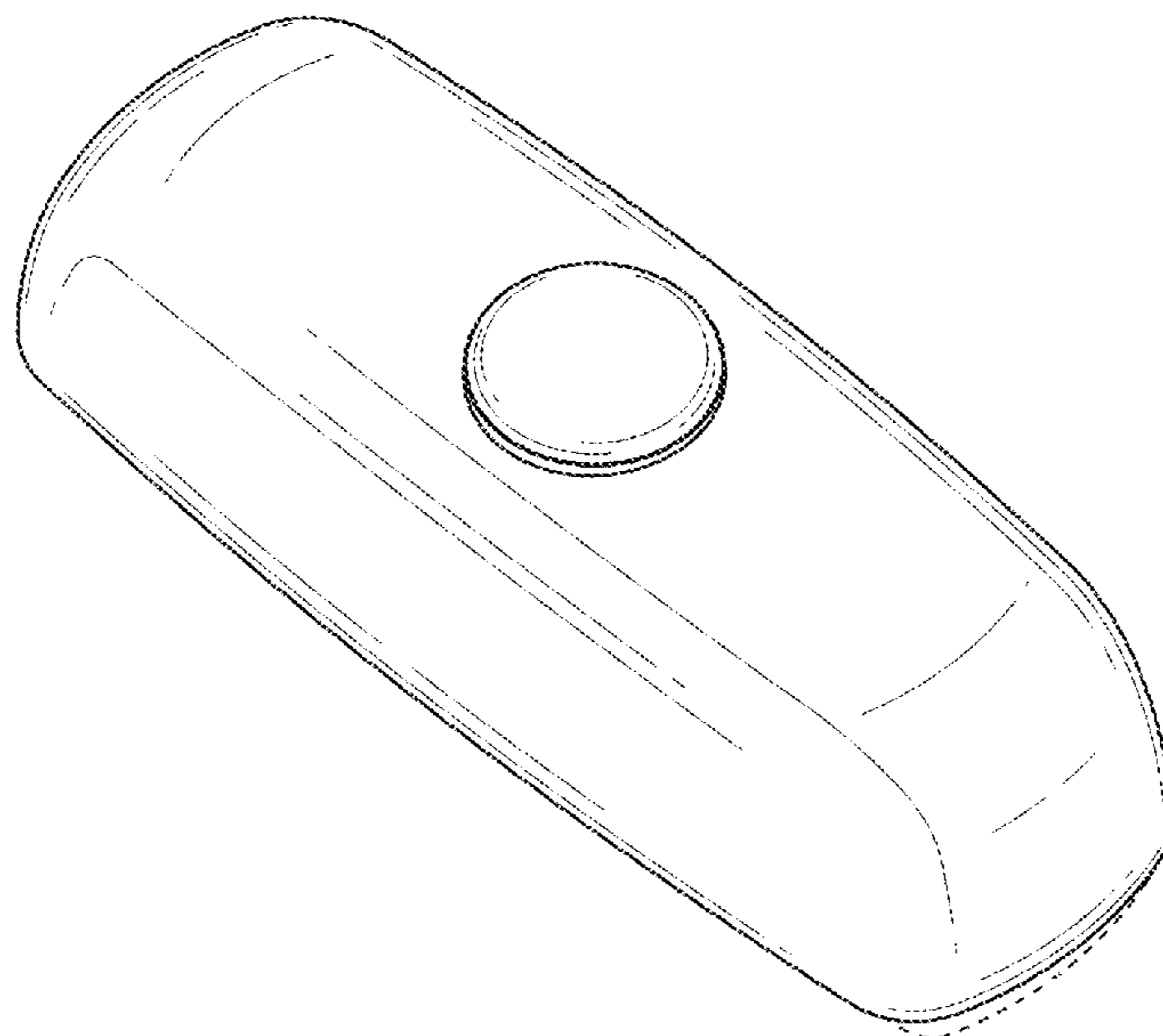
(57) **CLAIM**

The ornamental design for a cover for a butter dish, as shown and described.

DESCRIPTION

FIG. 1 is a top isometric view of a cover for a butter dish showing the new design;
FIG. 2 is a top plan view thereof;
FIG. 3 is an end elevation view thereof;
FIG. 4 is a side elevation view thereof;
FIG. 5 is a bottom isometric view thereof; and,
FIG. 6 is a bottom plan view thereof.
The dashed lines shown in the drawings illustrate portions of the cover for a butter dish that form no part of the claimed design.
The cover for a butter dish has longitudinal and lateral symmetry, with opposed sides being mirror images of each other.

1 Claim, 3 Drawing Sheets



(56)

References Cited

OTHER PUBLICATIONS

Butter Hub Butter Dish with Lid and Knife, first available Oct. 13, 2020, Amazon, [online], [site visited Feb. 18, 2021], Available from internet URL: <https://www.amazon.com/Butter-Hub-Magnetic-Keeper-Dishwasher/dp/B08W7SDPZH> (Year: 2020).*

OXO 11122500 Good Grips Butter Dish, White/Clear: Butter Dishes, www.amazon.com/OXO-Grips-Butter-White-Clear/dp/B00L9X6M6I, 9 pages, retrieved Feb. 27, 2019.

50 Most Popular Contemporary Butter Dishes for 2019 | Houzz, www.houzz.com/products/contemporary/butter-dishes/pid=104275254?m_refid=PLA_HZ_10427554?m_refid=PLA_HZ_104275254_1587195742&device=c&nw=g, 4 pages, retrieved Feb. 27, 2019.

* cited by examiner

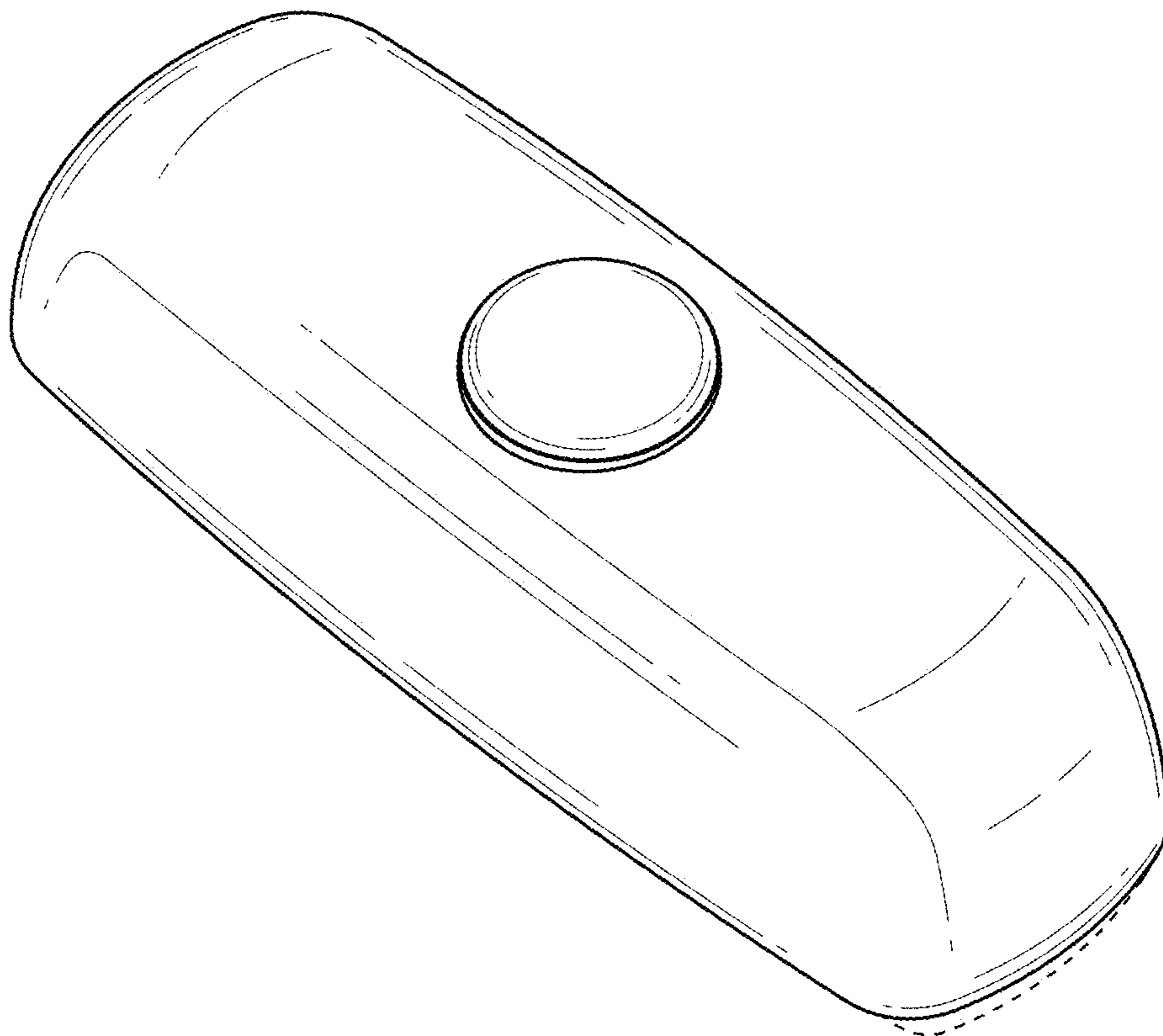


FIG. 1

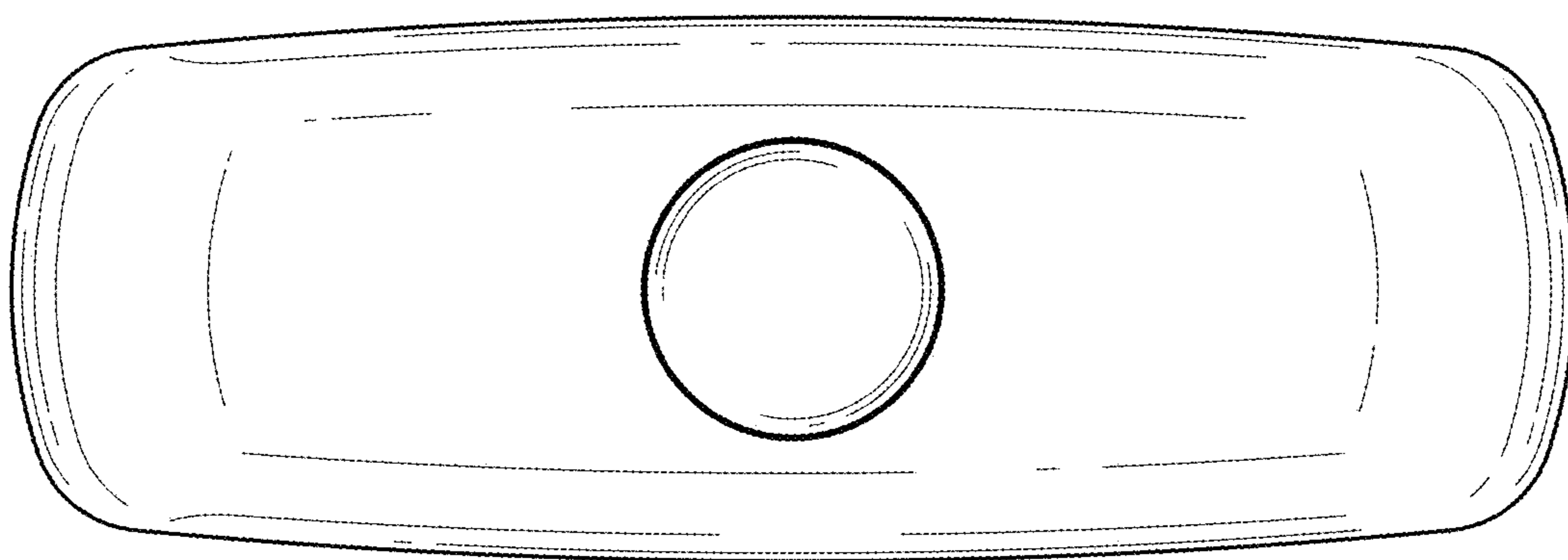


FIG. 2

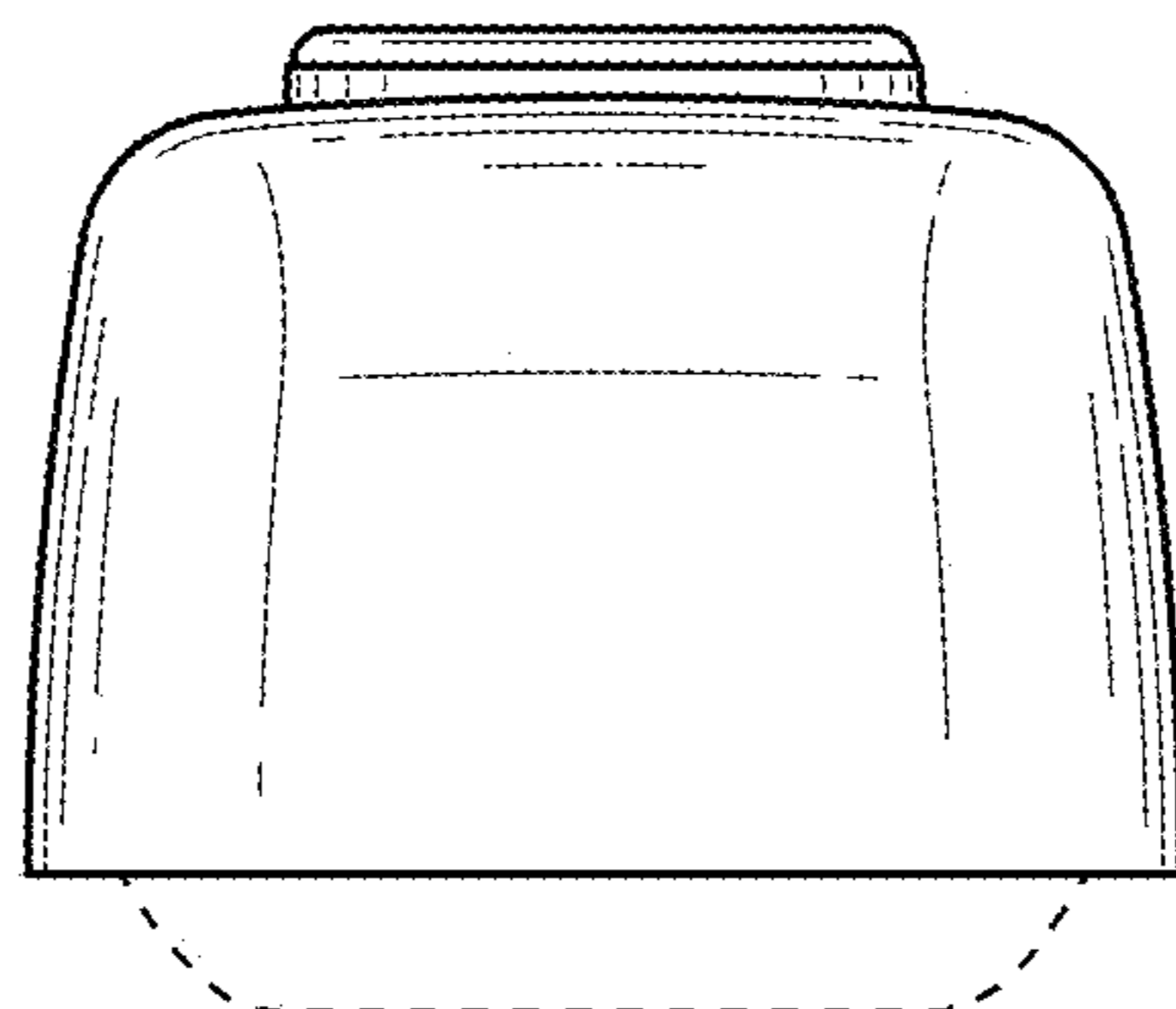


FIG. 3

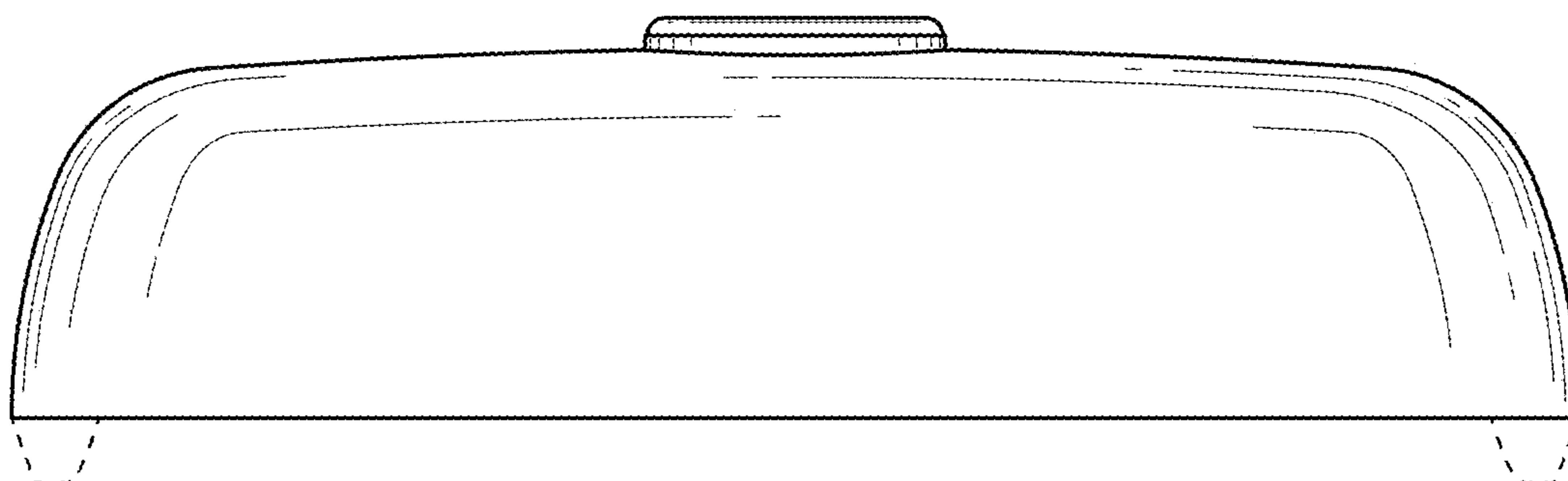


FIG. 4

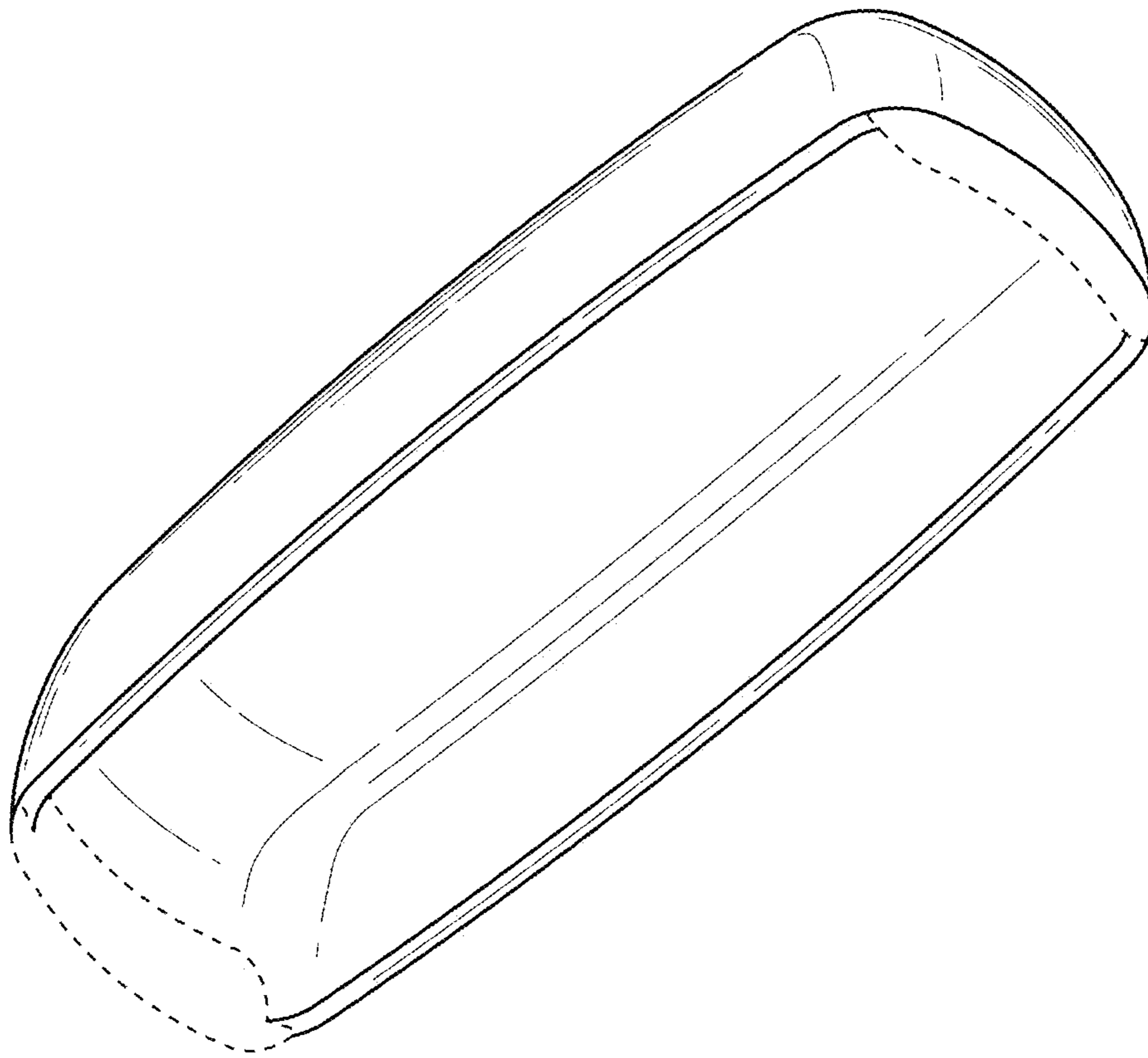


FIG. 5

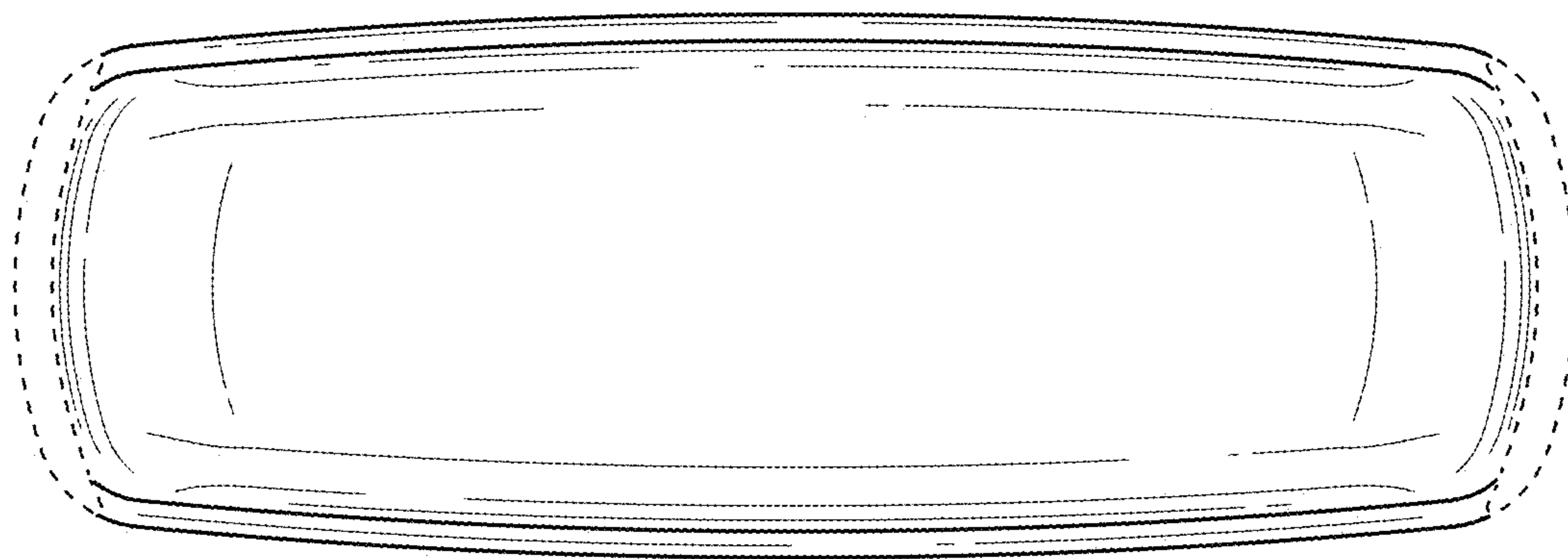


FIG. 6