



US00D922822S

(12) **United States Design Patent**  
**Monk et al.**

(10) **Patent No.:** **US D922,822 S**  
(45) **Date of Patent:** **\*\* Jun. 22, 2021**

(54) **CUT POTATO PRODUCT**

(71) Applicants: **Lamb Weston, Inc.**, Eagle, ID (US);  
**Lamb-Weston/Meijer V.O.F.**, PJ  
Kruiningen (NL)

(72) Inventors: **Samuel Monk**, Richland, WA (US);  
**Dirk van Dijk**, Veghel (NL); **Herbert  
Rijneveld**, Huijbergen (NL); **Taylor  
Wonders**, Kennewick, WA (US)

(73) Assignees: **Lamb Weston, Inc.**, Eagle, ID (US);  
**Lamb-Weston/Meijer V.O.F.**, PJ  
Kruiningen (NL)

(\*\*) Term: **15 Years**

(21) Appl. No.: **29/721,843**

(22) Filed: **Jan. 23, 2020**

(51) **LOC (13) Cl.** ..... **31-00**

(52) **U.S. Cl.**  
USPC ..... **D7/412; D7/381; D7/383; D7/384**

(58) **Field of Classification Search**  
USPC ..... D1/125; D7/372, 375–387, 412–413,  
D7/602, 629, 665–666, 669, 679,  
D7/693–694  
CPC .. A21C 1/02; A21C 1/04; A23L 19/14; A23N  
1/00; A23N 1/02; A23N 4/14; A47J  
43/04; A47J 43/25; A47J 43/27; A47J  
43/042; A47J 43/044; A47J 43/046; A47J  
43/075; A47J 43/0722; A47J 43/0727;  
B01F 3/00; B01F 3/0807; B01F 3/0853;  
B01F 13/0059; B01F 13/0064; B02C  
1/08; B02C 2/04; B02C 4/42; B02C  
4/142; B02C 4/143; B02C 4/423; B02C  
13/1835; B26D 1/0006; B26D 3/22;  
B26D 7/0641; B26D 7/2614; B28C 5/10;  
B28C 5/12; B28C 5/14; B28C 5/16

See application file for complete search history.

(56) **References Cited**

U.S. PATENT DOCUMENTS

2,769,714 A \* 11/1956 Stahmer ..... A23L 19/14  
426/144

3,338,724 A 8/1967 Adler et al.  
3,809,758 A 5/1974 Mathias et al.

(Continued)

*Primary Examiner* — Ricky Pham

(74) *Attorney, Agent, or Firm* — Ryan T. Grace; Advent,  
LLP

(57) **CLAIM**

The ornamental design for a cut potato product, as shown  
and described.

**DESCRIPTION**

FIG. 1 is an isometric view of a cut potato product.

FIG. 2 is another isometric view of the cut potato product of  
FIG. 1.

FIG. 3 is a top plan view of the cut potato product of FIG.  
1.

FIG. 4 is a bottom view of the cut potato product of FIG. 1.  
FIG. 5 is a front elevation view of the cut potato product of  
FIG. 1.

FIG. 6 is a rear elevation view of the cut potato product of  
FIG. 1.

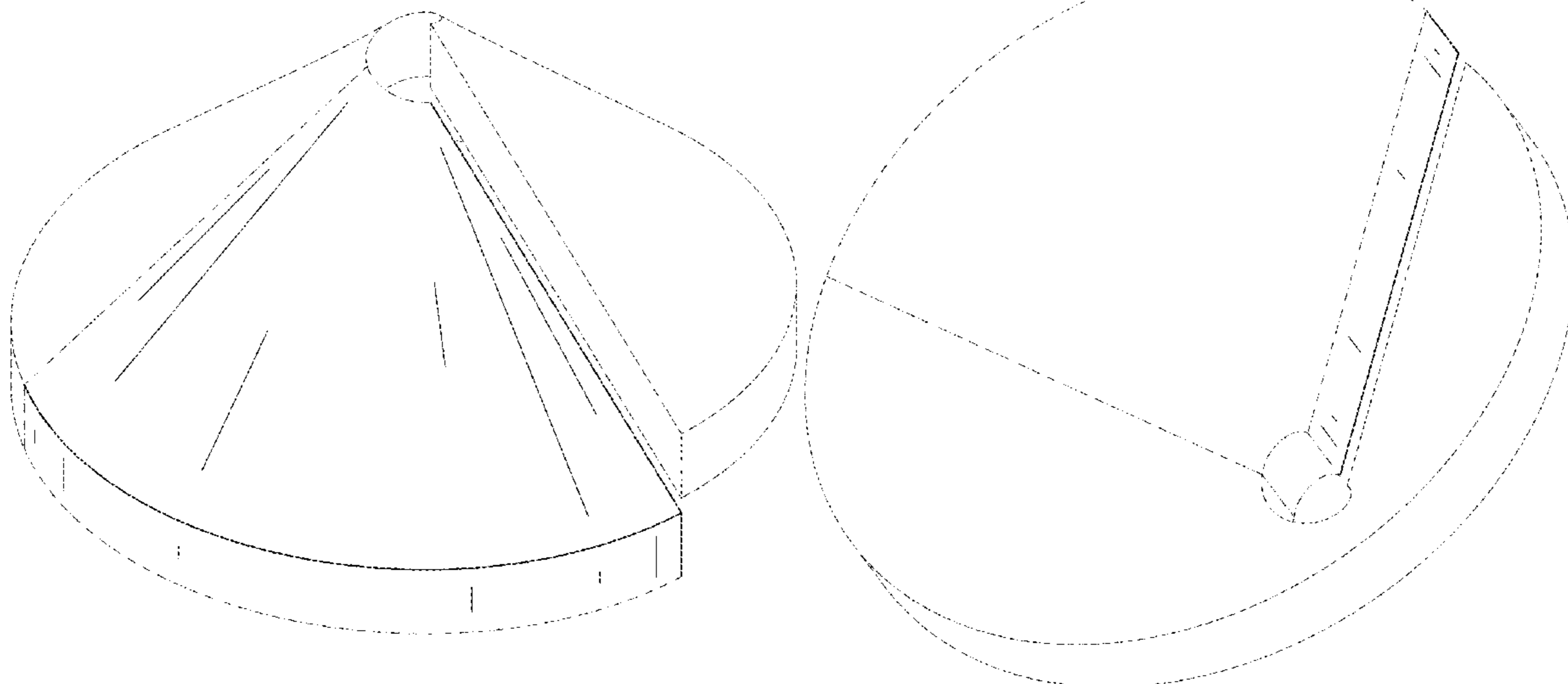
FIG. 7 is a left side elevation view of the cut potato product  
of FIG. 1.

FIG. 8 is a right side elevation view of the cut potato product  
of FIG. 1; and,

FIG. 9 is a further isometric view of the cut potato product  
of FIG. 1.

Portions of FIGS. 1 through 9 are shown in evenly spaced  
broken lines and dash-dot-dash boundary lines illustrating  
portions of the article that form no part of the claimed  
design, and phantom lines illustrating environmental subject  
matter including multiple cut potato products cut from a  
single whole potato that form no part of the claimed design.

**1 Claim, 9 Drawing Sheets**



(56)

References Cited

U.S. PATENT DOCUMENTS

3,865,964 A 2/1975 Kellermeier et al.  
 4,082,855 A 4/1978 Citti et al.  
 4,198,437 A 4/1980 Citti et al.  
 D268,539 S 4/1983 Hamann et al.  
 4,420,494 A 12/1983 Glantz  
 4,447,459 A 5/1984 Balboni et al.  
 4,455,321 A 6/1984 Glabe et al.  
 4,626,438 A 12/1986 Glantz  
 4,751,093 A 6/1988 Hong et al.  
 4,933,194 A 6/1990 Barry et al.  
 4,937,084 A 6/1990 Julian  
 5,035,915 A 7/1991 Mendenhall  
 5,128,210 A 7/1992 Housley  
 5,186,967 A 2/1993 Housley  
 5,293,803 A \* 3/1994 Foster ..... B26D 1/0006  
 83/356.3  
 D374,150 S \* 10/1996 Lillelund ..... B26D 1/0006  
 D7/387  
 5,896,801 A \* 4/1999 Jacko ..... B26D 3/22  
 83/356.3  
 6,725,765 B1 \* 4/2004 Mendenhall ..... B26D 1/0006  
 83/402  
 D492,467 S 7/2004 Pittard et al.  
 D493,943 S 8/2004 Mendenhall  
 D525,762 S 8/2006 Evans  
 D531,384 S 11/2006 Wang  
 D577,176 S 9/2008 Young et al.  
 D581,627 S 12/2008 Young et al.  
 D640,036 S 6/2011 Walker et al.  
 D688,437 S 8/2013 Walker et al.  
 D701,087 S \* 3/2014 Audette ..... A23L 19/14  
 D7/412  
 D707,418 S 6/2014 Rogers et al.  
 D712,618 S 9/2014 Rogers et al.  
 D714,017 S 9/2014 Rogers et al.  
 D714,517 S 10/2014 Rogers et al.  
 D714,521 S 10/2014 Rogers et al.  
 D716,517 S 11/2014 Walker et al.

D716,518 S 11/2014 Walker et al.  
 D716,519 S 11/2014 Walker et al.  
 D716,520 S 11/2014 Walker et al.  
 D720,916 S 1/2015 Rogers et al.  
 D720,917 S 1/2015 Rogers et al.  
 D721,217 S 1/2015 Rogers et al.  
 D721,218 S 1/2015 Rogers et al.  
 D721,219 S 1/2015 Rogers et al.  
 D721,220 S 1/2015 Rogers et al.  
 D722,417 S 2/2015 Rogers et al.  
 D722,419 S 2/2015 Rogers et al.  
 D723,241 S 3/2015 Walker et al.  
 D723,242 S 3/2015 Walker et al.  
 D723,243 S 3/2015 Walker et al.  
 D725,343 S 3/2015 Rogers et al.  
 D728,892 S 5/2015 Rogers et al.  
 D728,894 S 5/2015 Rogers et al.  
 D729,491 S 5/2015 Rogers et al.  
 D729,492 S 5/2015 Rogers et al.  
 D735,441 S 8/2015 Rogers et al.  
 D741,041 S 10/2015 Walker  
 D742,091 S 11/2015 Rogers et al.  
 D745,244 S 12/2015 Rogers et al.  
 D745,245 S 12/2015 Rogers et al.  
 D746,019 S 12/2015 Rogers et al.  
 D748,366 S 2/2016 Rogers et al.  
 D762,341 S 8/2016 Rogers et al.  
 D766,542 S 9/2016 Walker et al.  
 D799,889 S \* 10/2017 McClory ..... D7/375  
 D813,491 S \* 3/2018 Walker ..... A23N 4/14  
 D1/125  
 9,943,978 B2 \* 4/2018 Walker ..... B26D 7/2614  
 10,485,382 B2 \* 11/2019 Allen ..... B26D 7/0641  
 D894,681 S \* 9/2020 Julian ..... D7/412  
 D895,358 S \* 9/2020 Julian ..... B26D 7/0641  
 D7/412  
 2006/0283339 A1 \* 12/2006 Jensen ..... A23N 4/14  
 99/537  
 2010/0310754 A1 12/2010 Rommens et al.  
 2011/0239469 A1 10/2011 Young et al.

\* cited by examiner

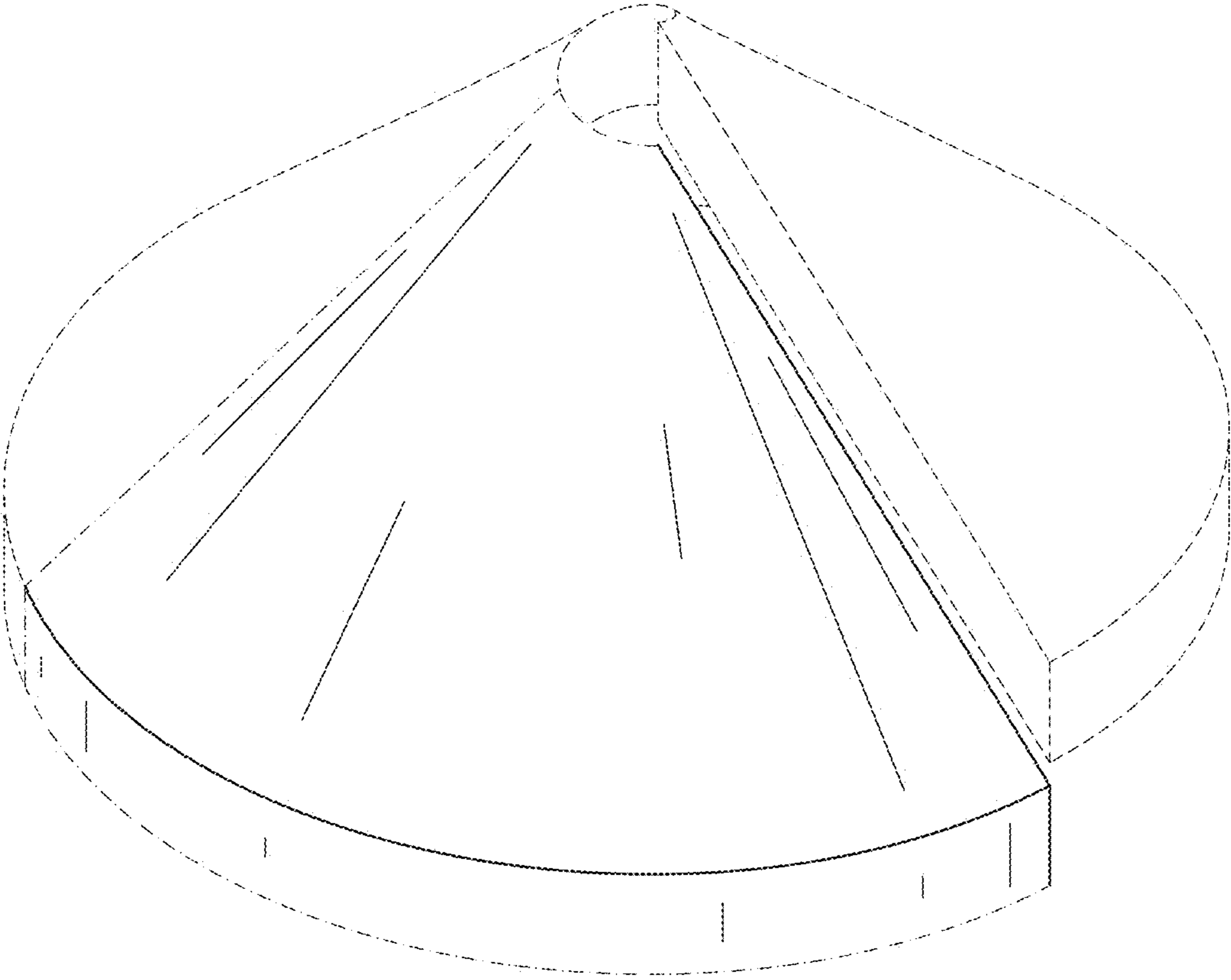


FIG. 1

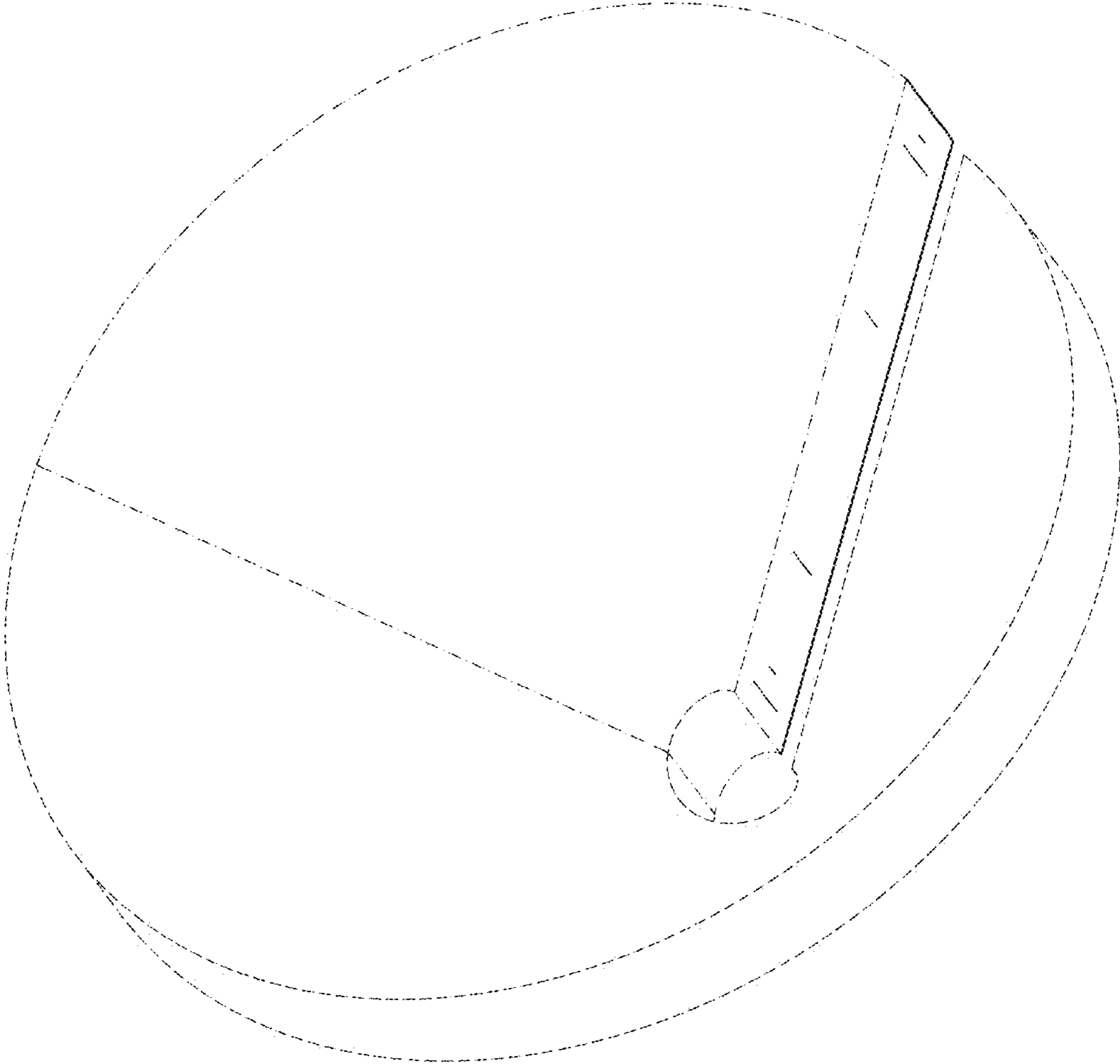


FIG. 2

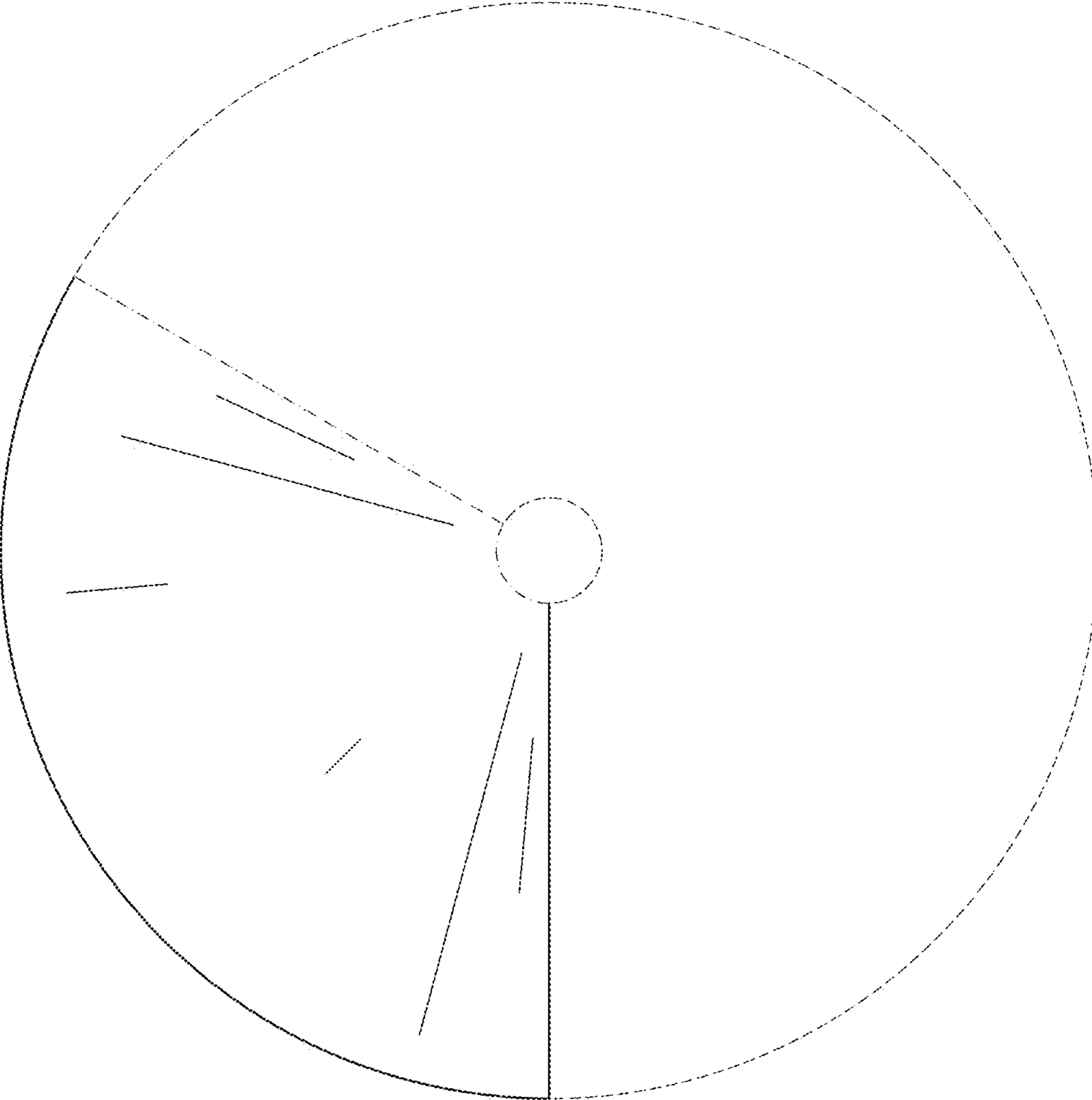


FIG. 3

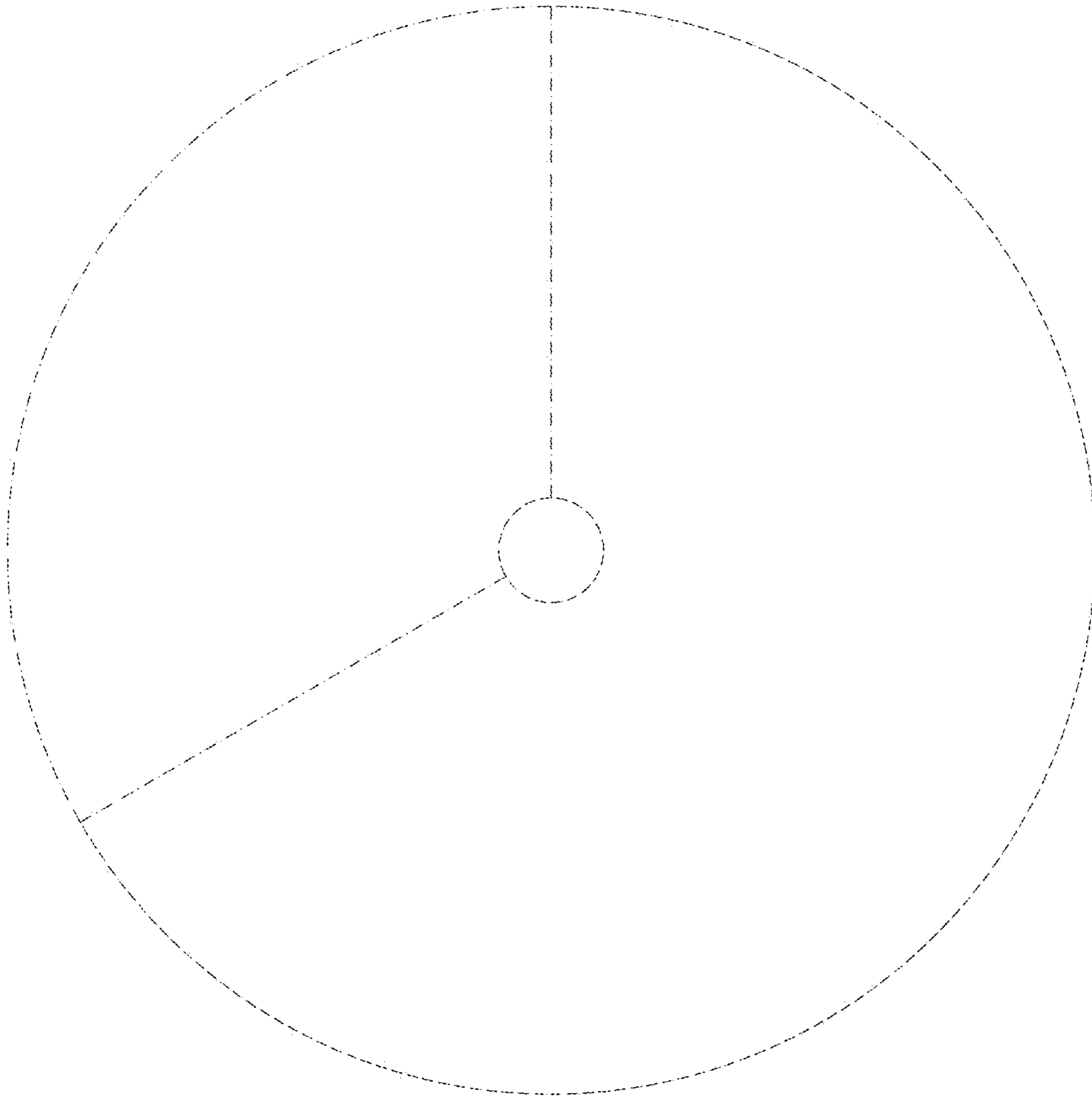
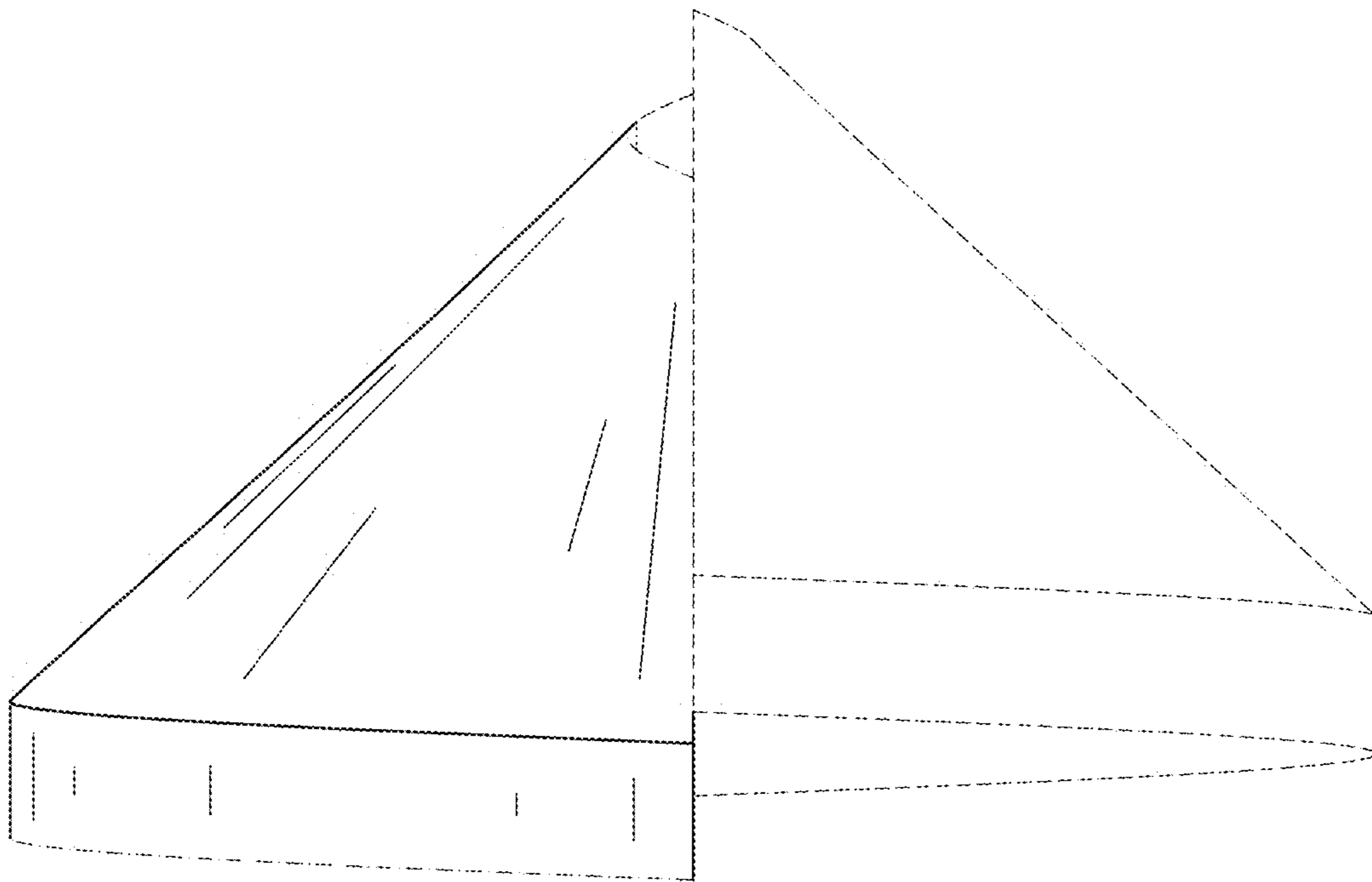
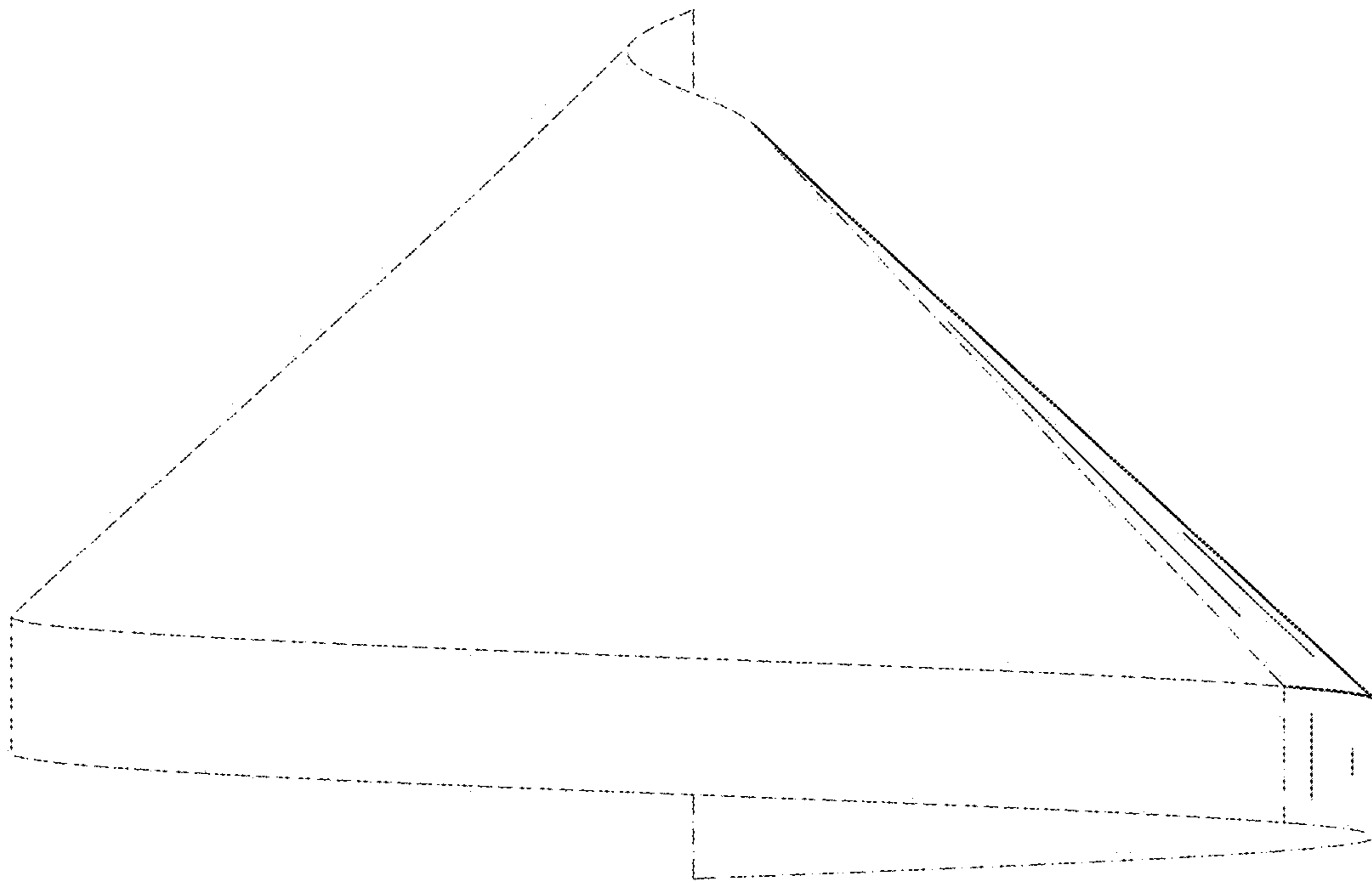


FIG. 4





**FIG. 5**



**FIG. 6**



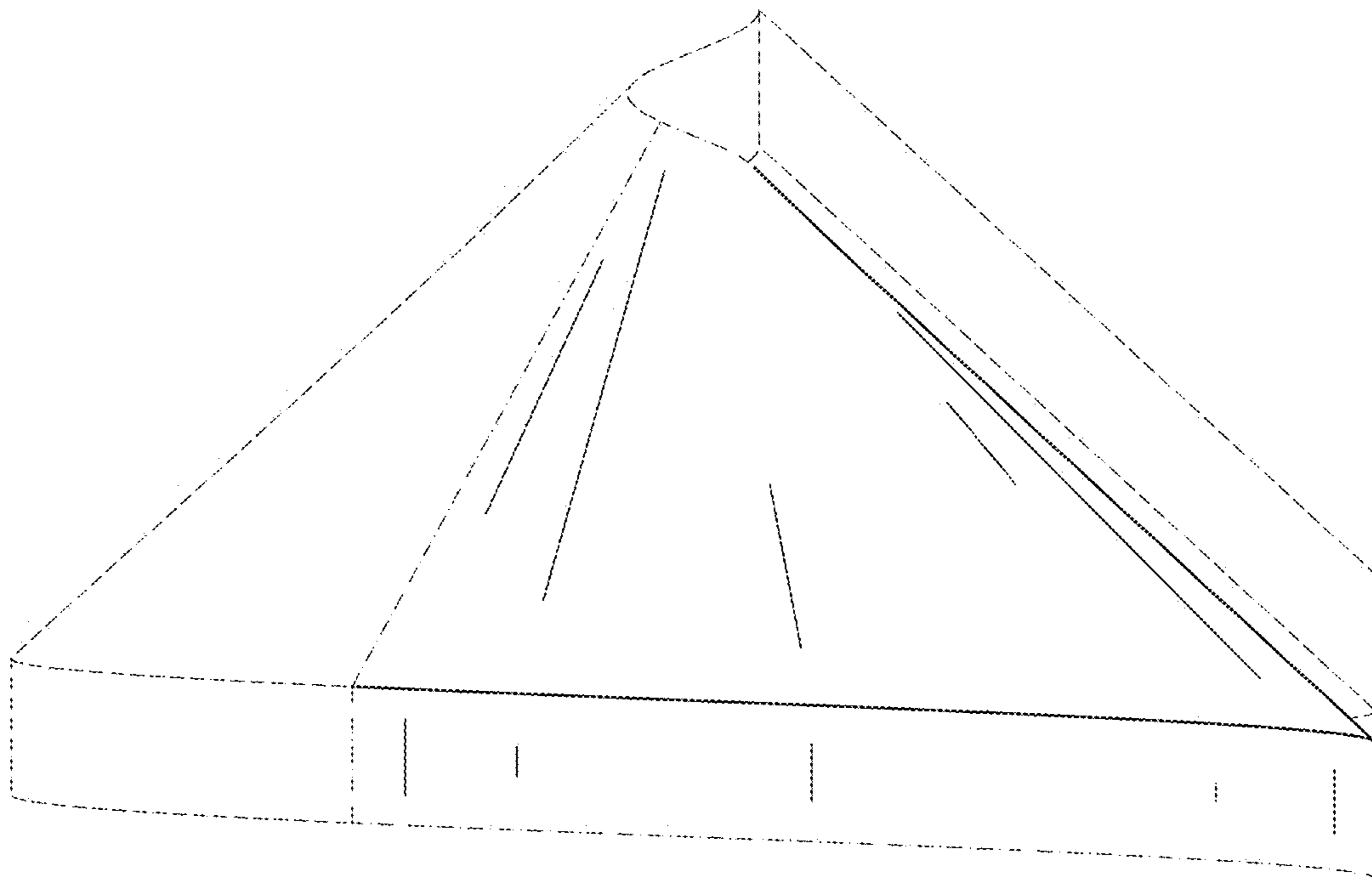
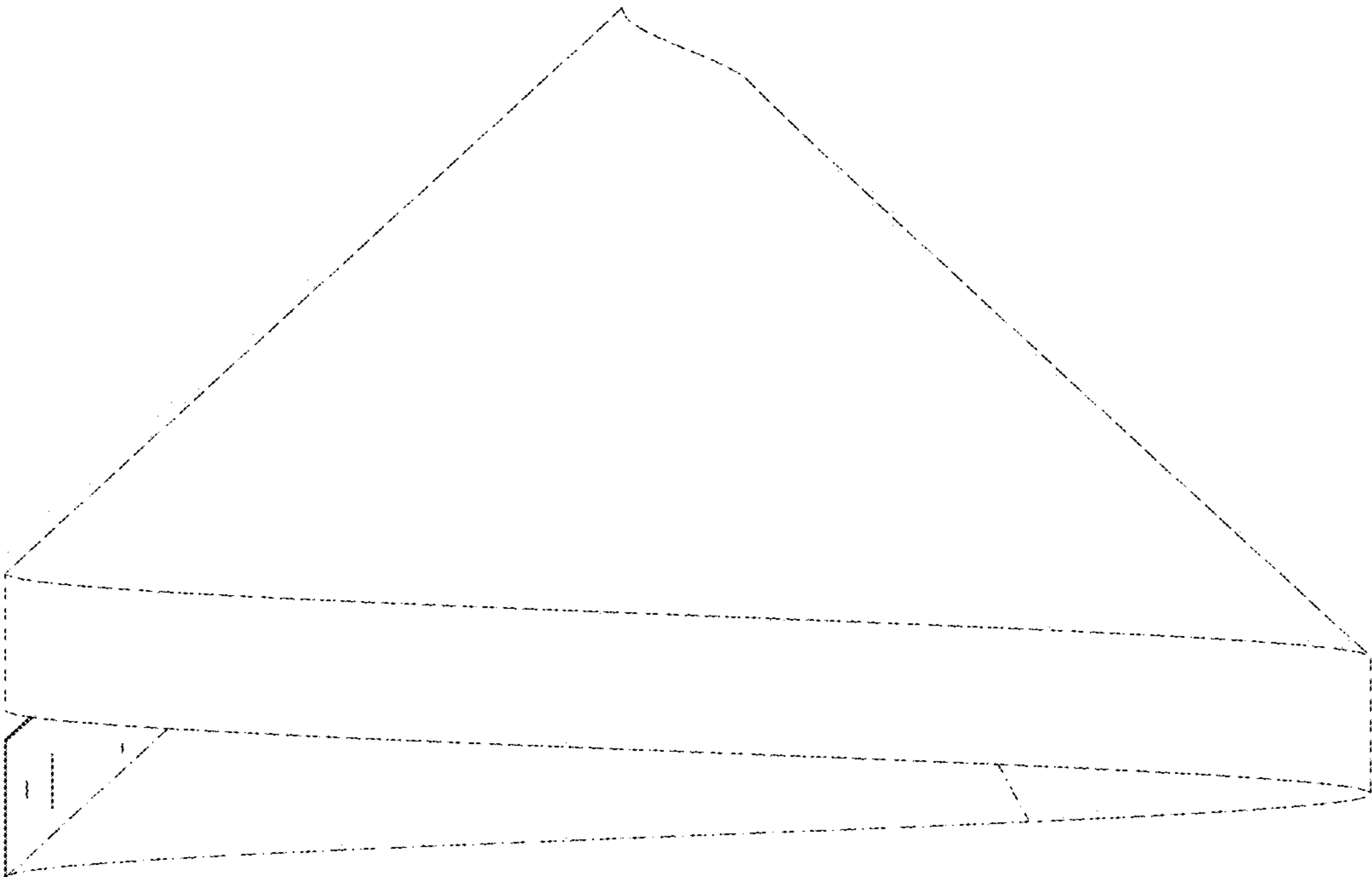
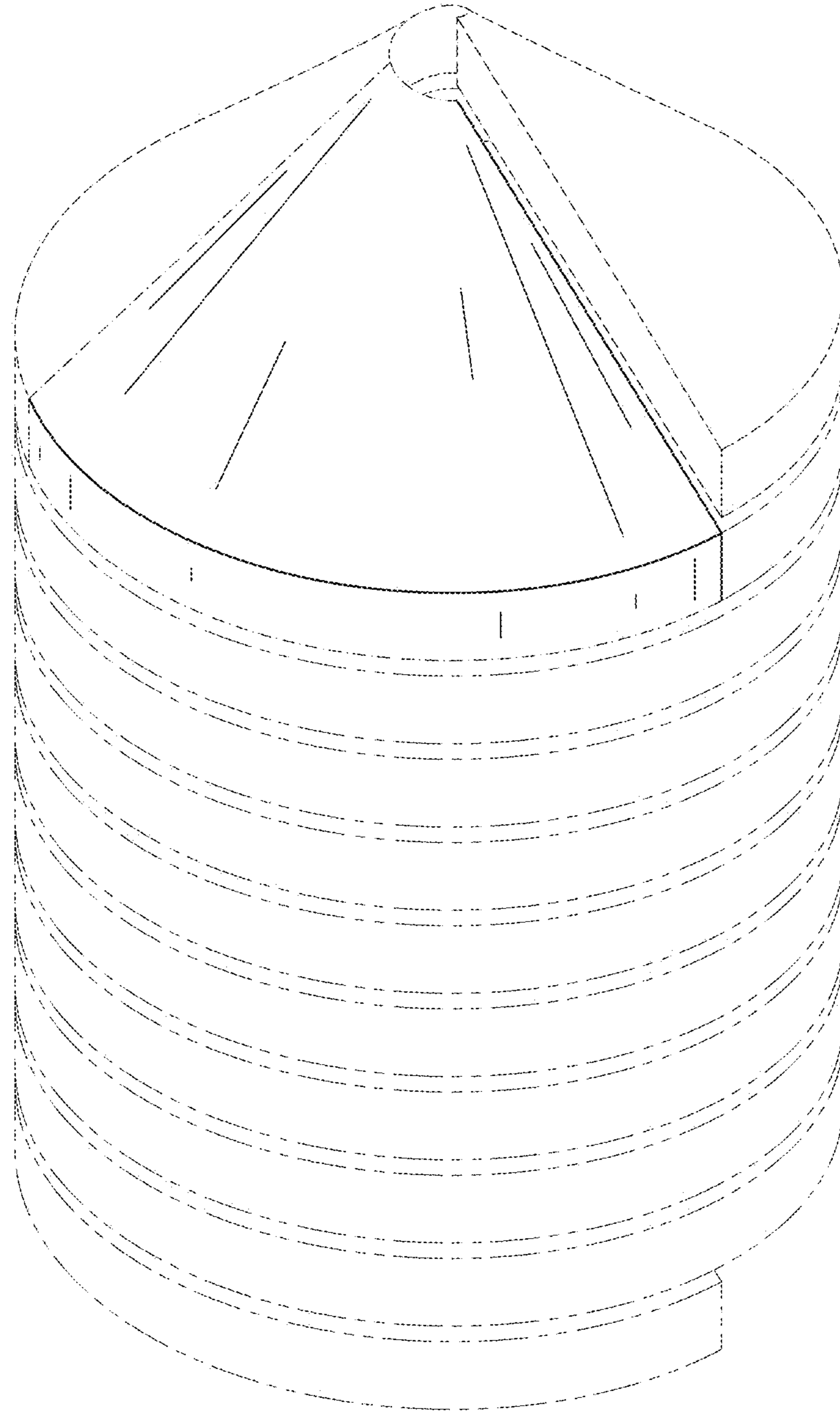


FIG. 7



**FIG. 8**



**FIG. 9**