



US00D922815S

(12) **United States Design Patent**  
**He**

(10) **Patent No.:** **US D922,815 S**  
(45) **Date of Patent:** **\*\* Jun. 22, 2021**

(54) **EGG SEPARATOR**

(71) Applicant: **Shuang He**, Shenzhen (CN)

(72) Inventor: **Shuang He**, Shenzhen (CN)

(\*\*) Term: **15 Years**

(21) Appl. No.: **29/774,450**

(22) Filed: **Mar. 17, 2021**

(51) **LOC (13) Cl.** ..... **31-00**

(52) **U.S. Cl.**  
USPC ..... **D7/369**

(58) **Field of Classification Search**

USPC ..... D7/323, 400, 354–361, 500, 503, 545,  
D7/665, 667  
CPC .... A01K 41/02; A01K 41/023; A01K 41/026;  
A01K 41/06; A21B 5/02; A21B 5/026;  
A21B 5/04; A23B 5/00; A23B 5/005;  
A23B 5/0052; A47J 27/00; A47J 27/004;  
A47J 29/00; A47J 29/02; A47J 29/04;  
A47J 29/06; A47J 36/025; A47J 36/06;  
A47J 36/12; A47J 43/14

See application file for complete search history.

(56) **References Cited**

**U.S. PATENT DOCUMENTS**

968,910	A *	8/1910	Woodrow	.....	A47J 43/14 99/497
1,492,385	A *	4/1924	Moritz	.....	A47J 43/14 99/497
2,473,411	A *	6/1949	Boden	.....	A47J 43/14 99/500
D307,527	S *	5/1990	DeCoster	.....	D7/667
D335,795	S *	5/1993	Conti	.....	D7/359
D564,307	S *	3/2008	Repp	.....	D7/667
D598,717	S *	8/2009	Jalet	.....	D7/667
D640,512	S *	6/2011	Gorskey	.....	D7/665
D812,423	S *	3/2018	Leach	.....	D7/400

**OTHER PUBLICATIONS**

Luckynono Egg yolk separator. Date First Available Aug. 3, 2020  
<https://www.amazon.com/separator-handmade-dessert-accessories-separators/dp/B08F527XZ6/ref> (Year: 2020).\*

“Egg Yolk Egg White Separator, Stainless Steel Egg White Yolk Filter, Egg Divider Strainer Screen Filter, Kitchen Cooking Gadgets”, Retrieved Mar. 17, 2021]. Retrieved from Internet, <https://www.amazon.com/Separator-Stainless-Divider-Strainer-Kitchen/dp/B08NFS69GW/ref>.

“Foeran Egg separator—Egg Yolk white separator tool—food grade stainless steel egg separator, kitchen cooking gadge, safe-work for XL Jumbo Eggs.”, Retrieved Mar. 17, 2021]. Retrieved from Internet, <https://www.amazon.com/Foeran-Egg-separator-stainless-safe-work/dp/B08GQ6N6YX/ref>.

\* cited by examiner

*Primary Examiner* — Ricky Pham

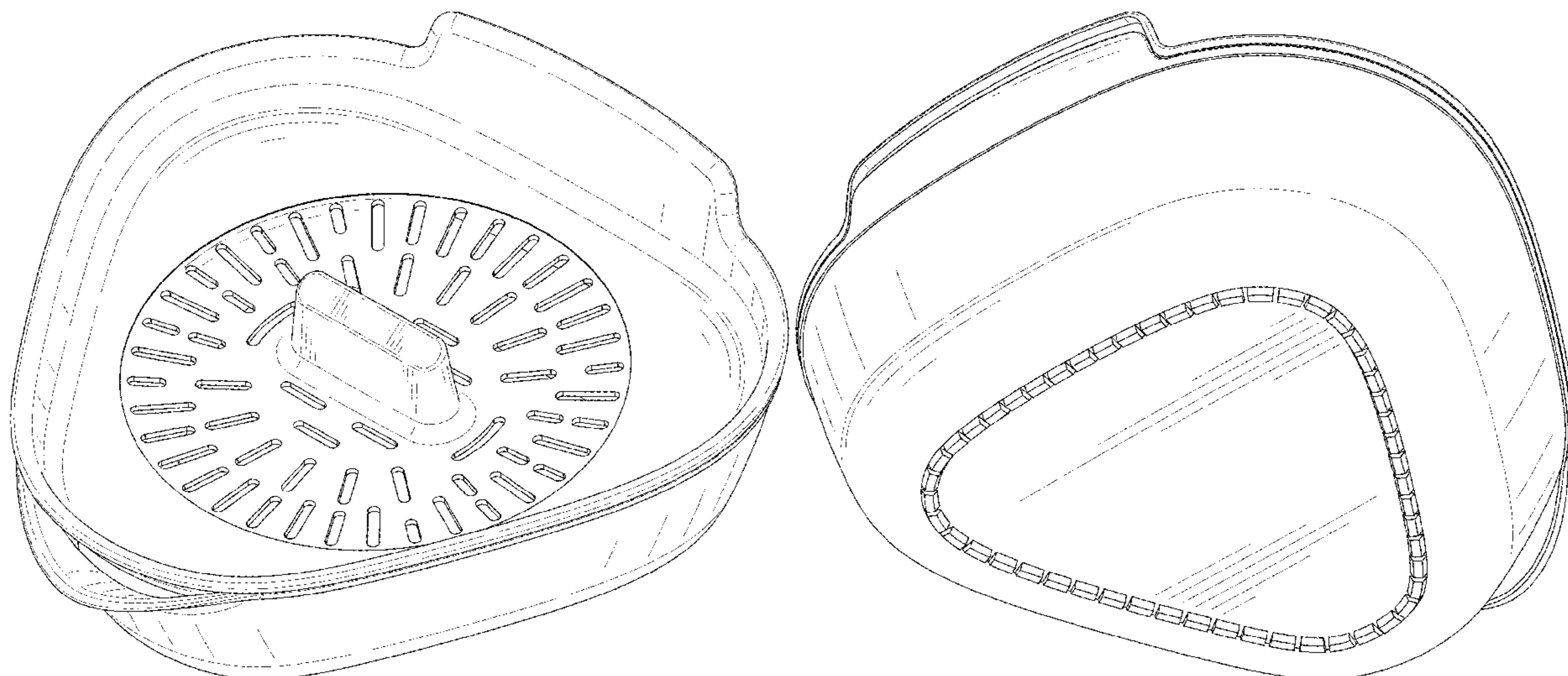
(57) **CLAIM**

The ornamental design for an egg separator, as shown and described.

**DESCRIPTION**

FIG. 1 is a perspective view of an egg separator showing my new design;  
FIG. 2 is another perspective view thereof;  
FIG. 3 is a front elevational view thereof;  
FIG. 4 is a rear elevational view thereof;  
FIG. 5 is a left side elevational view thereof;  
FIG. 6 is a right side elevational view thereof;  
FIG. 7 is a top plan view thereof;  
FIG. 8 is a bottom plan view thereof; and,  
FIG. 9 is an exploded perspective view of the egg separator.

**1 Claim, 9 Drawing Sheets**



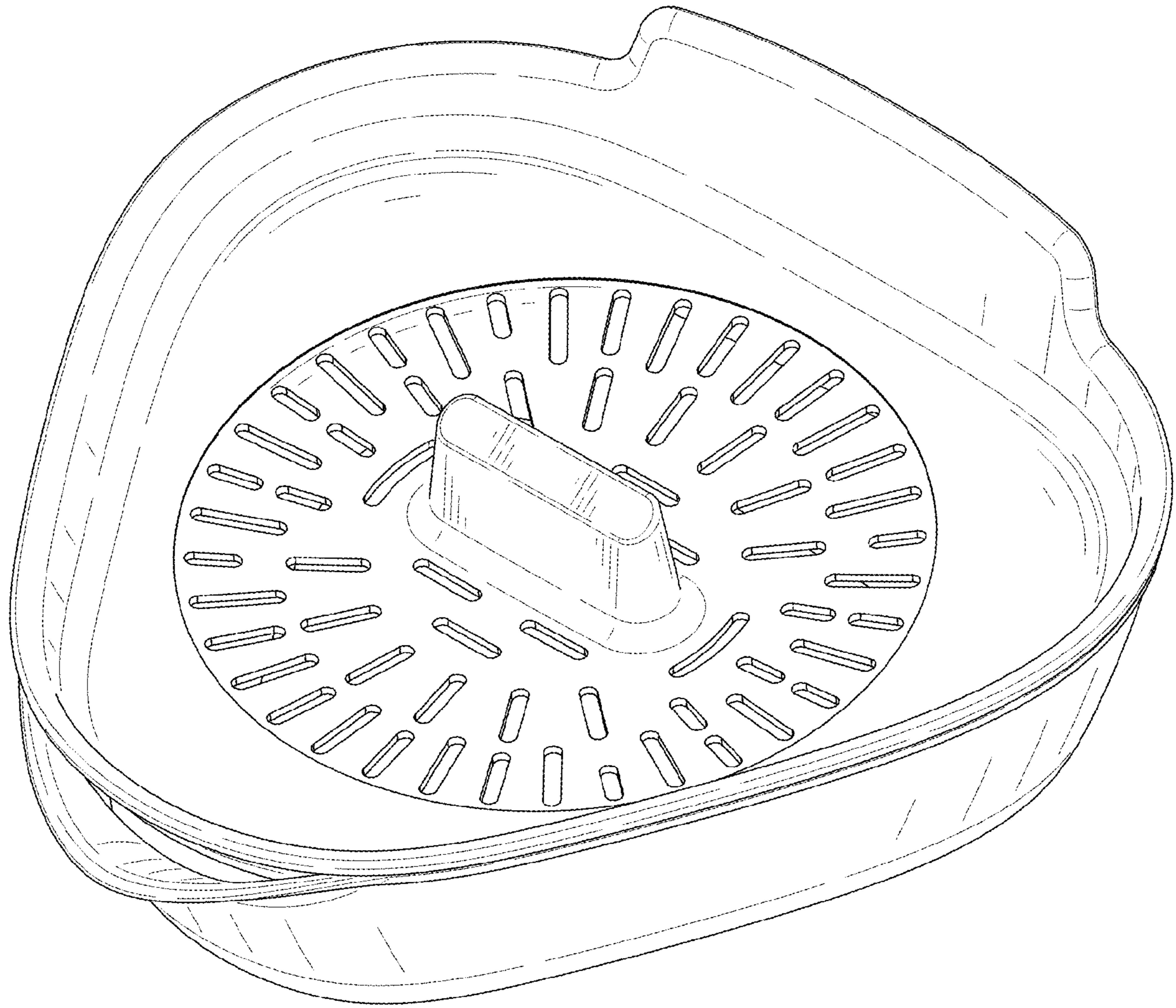


FIG. 1

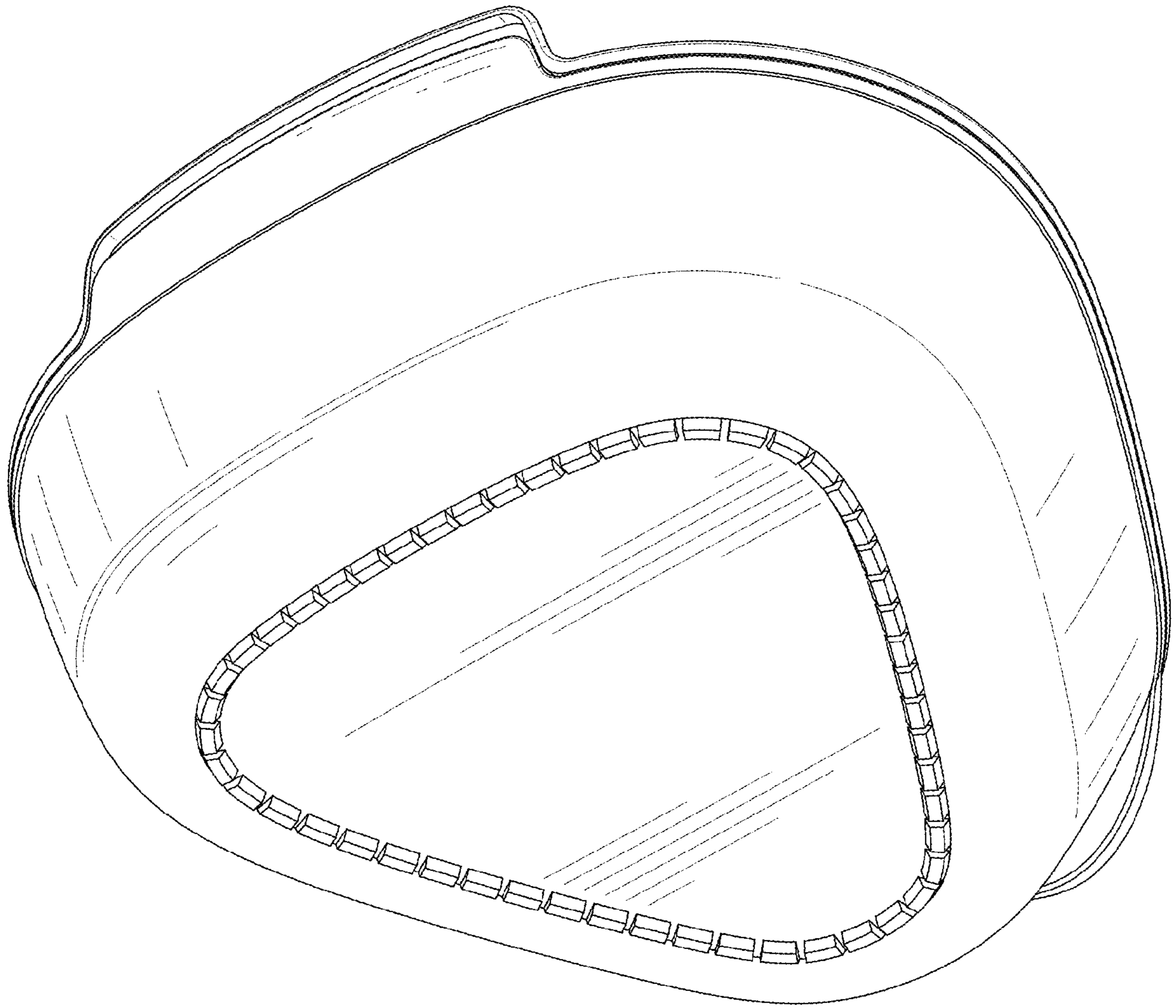


FIG. 2

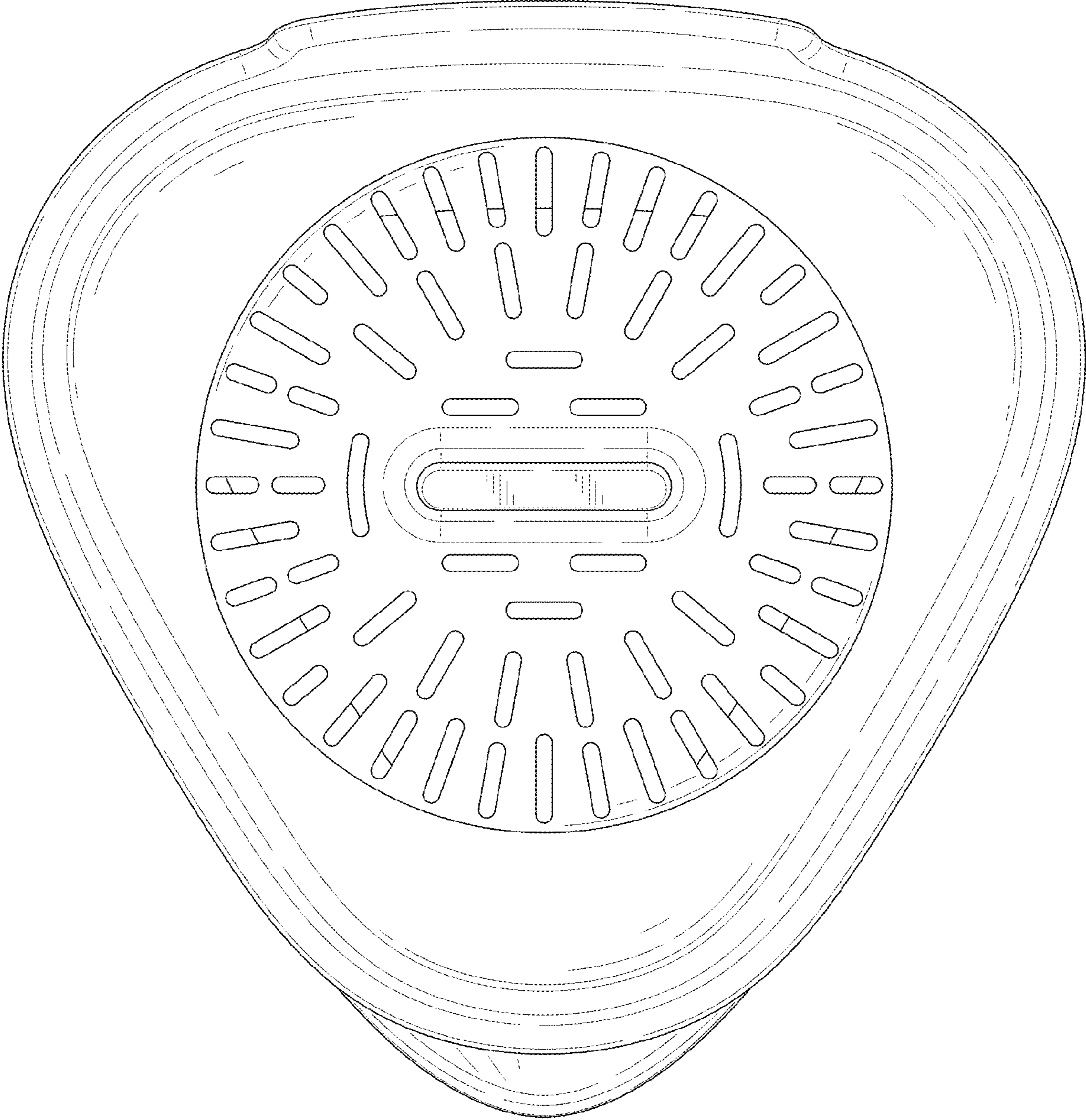


FIG. 3

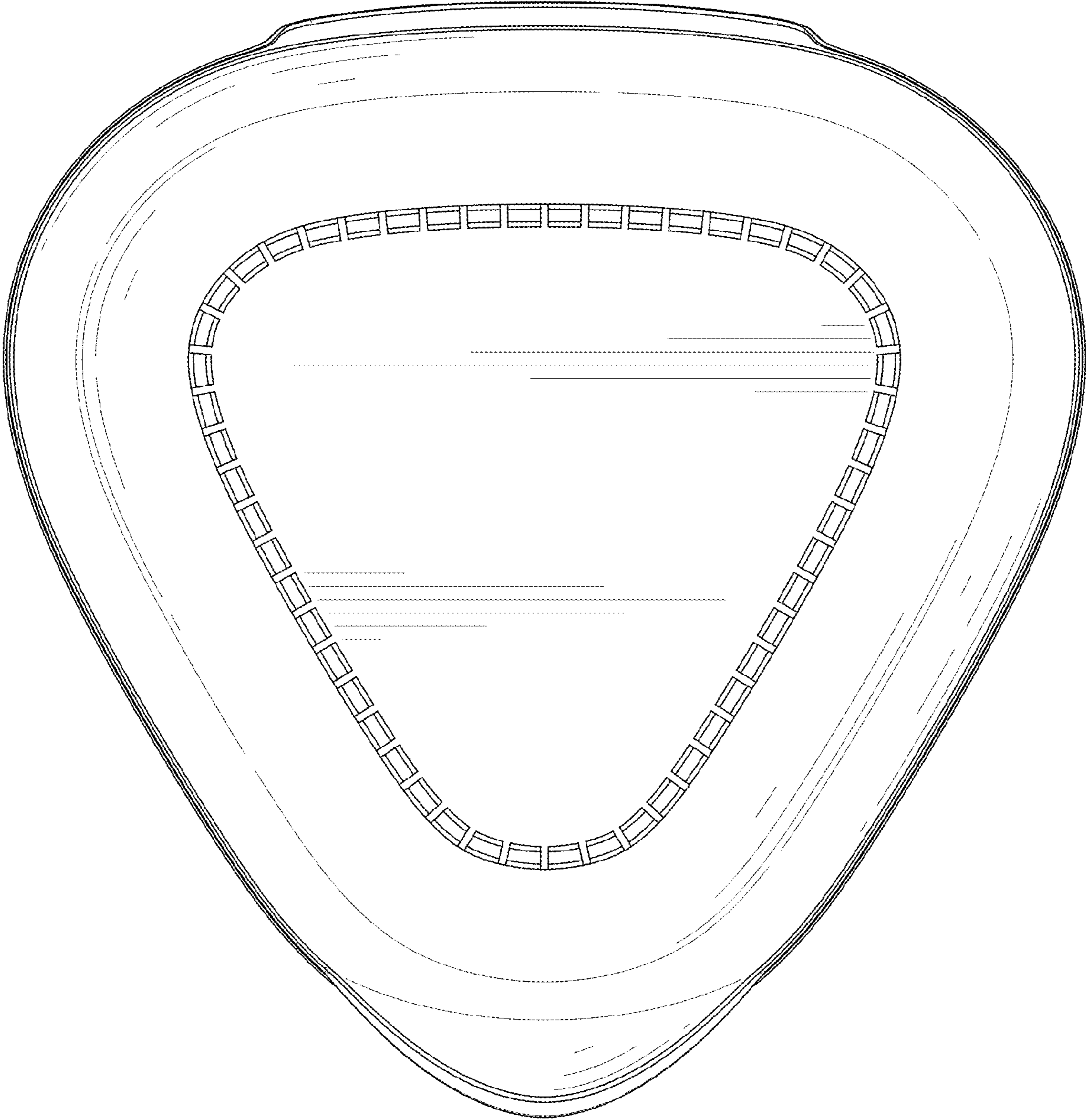


FIG. 4

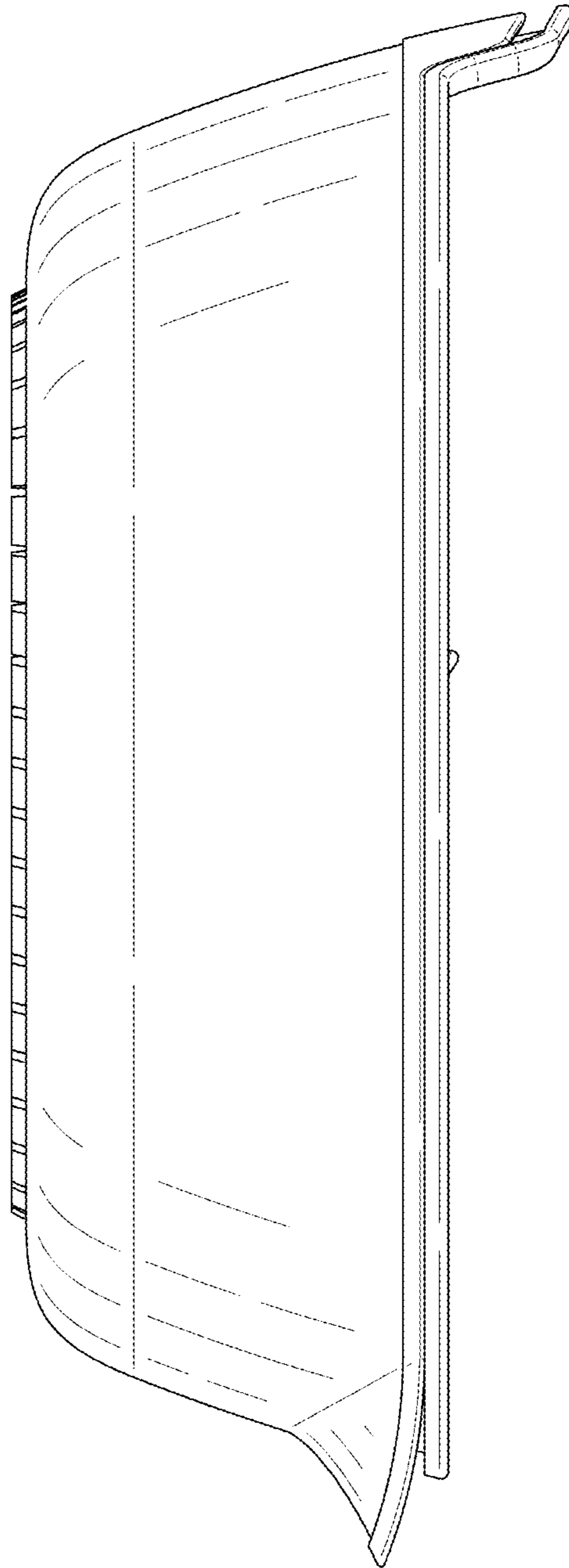


FIG. 5

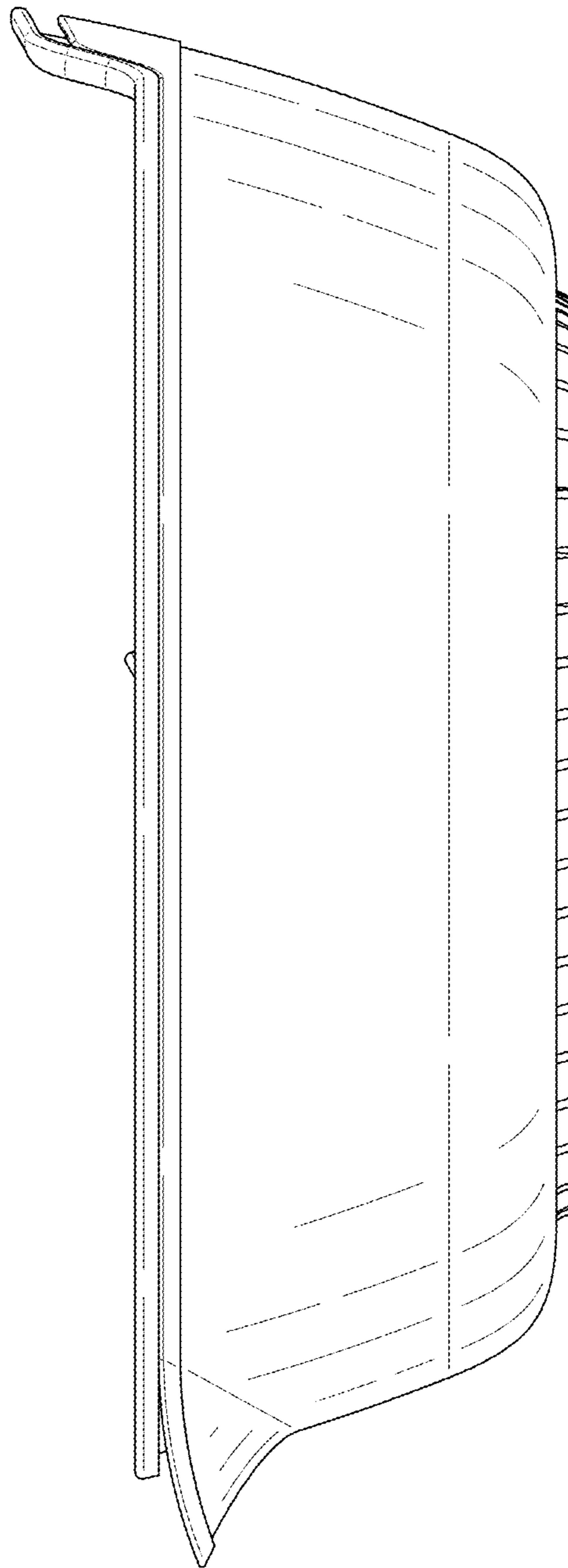


FIG. 6

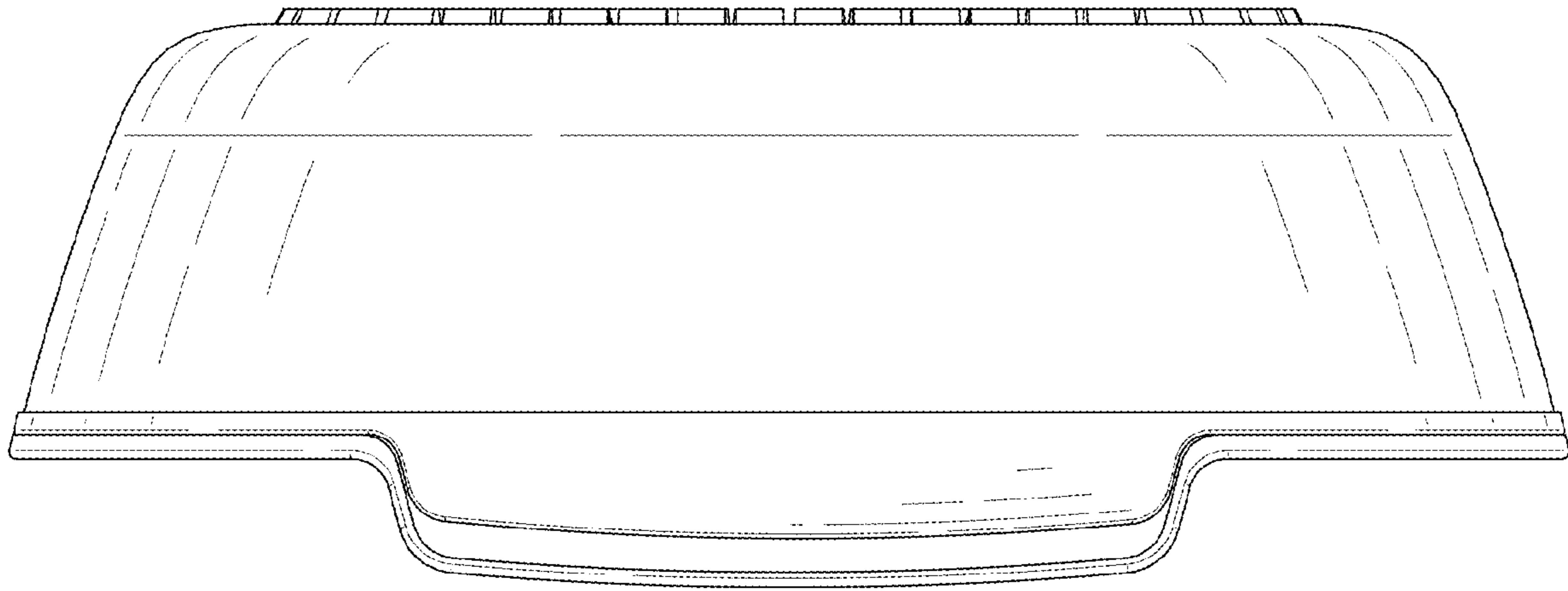


FIG. 7



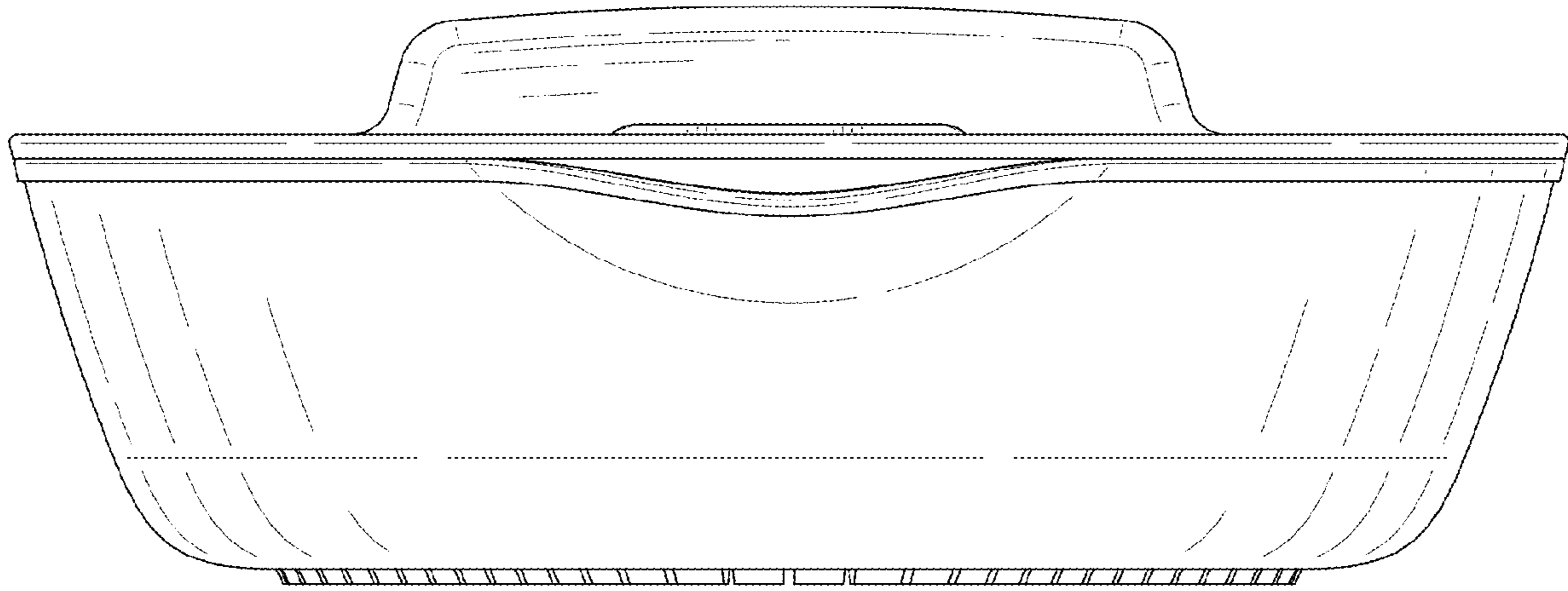


FIG. 8

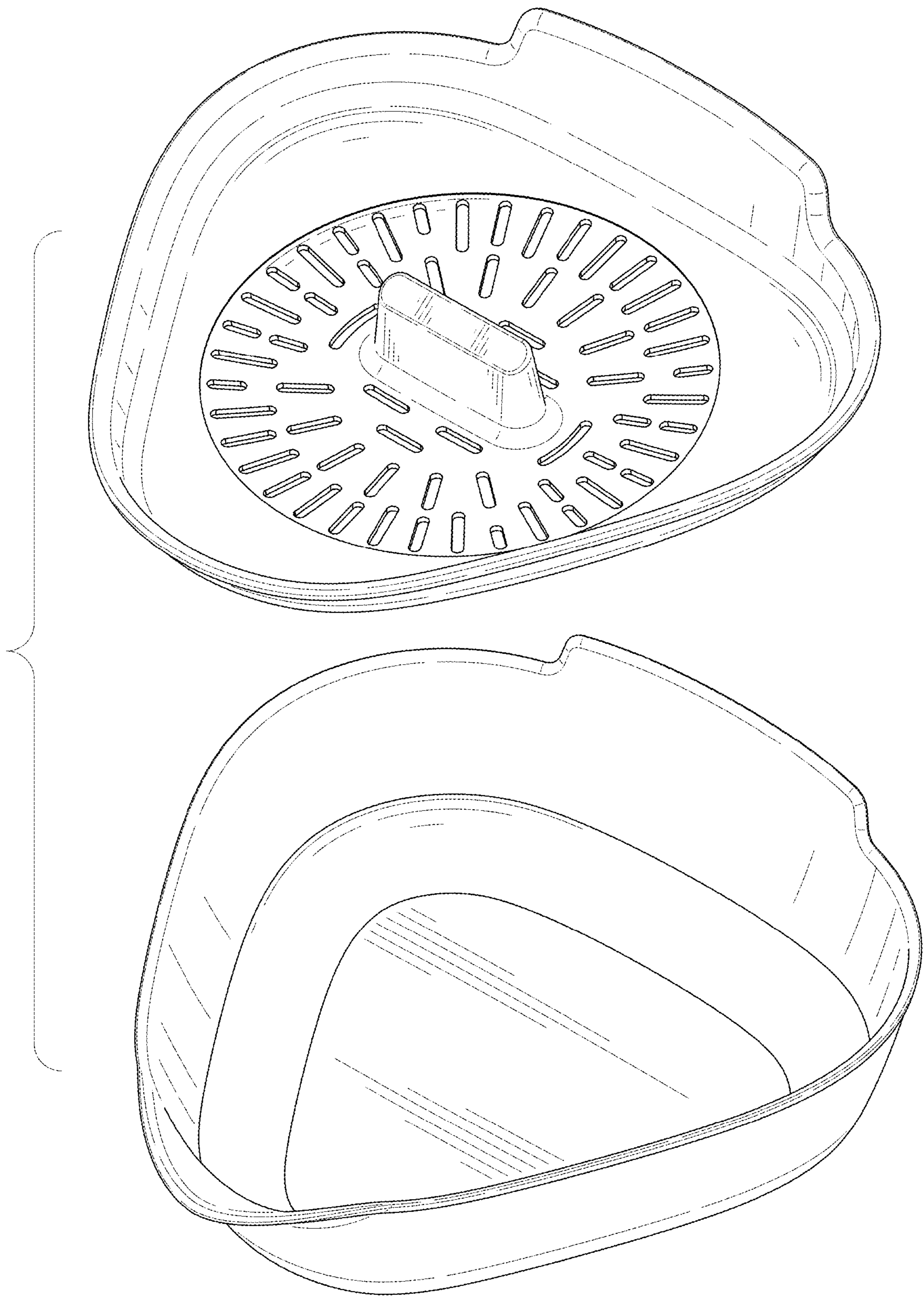


FIG. 9