



US00D922814S

(12) **United States Design Patent**
Liu et al.

(10) **Patent No.:** **US D922,814 S**
(45) **Date of Patent:** **** Jun. 22, 2021**

(54) **FOOD STEAMER**

(71) Applicant: **MIDEA GROUP CO., LTD.**, Foshan (CN)

(72) Inventors: **Yapeng Liu**, Guangdong (CN);
Shizhong Xiang, Guangdong (CN);
Yangzong Lu, Guangdong (CN); **Yuan Yao**, Guangdong (CN)

(73) Assignee: **MIDEA GROUP CO., LTD.**, Foshan (CN)

(**) Term: **15 Years**

(21) Appl. No.: **35/509,206**

(22) Filed: **Dec. 23, 2019**

(80) **Hague Agreement Data**

Int. Filing Date: **Dec. 23, 2019**
Int. Reg. No.: **DM/207233**
Int. Reg. Date: **Dec. 23, 2019**
Int. Reg. Pub. Date: **Apr. 24, 2020**

(30) **Foreign Application Priority Data**

Sep. 30, 2019 (CN) 201930542610.8

(51) **LOC (13) Cl.** **07-02**

(52) **U.S. Cl.**
USPC **D7/356**

(58) **Field of Classification Search**

USPC D7/323, 354-357
CPC A47J 43/0716; A47J 43/0722; A47J 43/07;
A47J 43/085; A47J 43/0761; A47J 43/04;
A47J 27/004; A47J 37/0629

See application file for complete search history.

(56) **References Cited**

U.S. PATENT DOCUMENTS

D290,218 S * 6/1987 Thomas D7/412
6,640,692 B1 * 11/2003 Hilgers A47J 27/004
366/144

D496,823 S * 10/2004 Josancy D7/360
D581,206 S * 11/2008 Roussard D7/358
D625,142 S * 10/2010 Moore D7/384
D625,143 S * 10/2010 Moore D7/384
D625,144 S * 10/2010 Moore D7/384
D626,784 S * 11/2010 Xie D7/360
D707,079 S * 6/2014 Blaise D7/384
D708,007 S * 7/2014 Lazzer D7/384
D734,976 S * 7/2015 Quinn D7/360
D811,805 S * 3/2018 Smith D7/384
D853,782 S * 7/2019 Conti D7/384
D896,022 S * 9/2020 Ye D7/384
D896,023 S * 9/2020 Ye D7/384
D896,567 S * 9/2020 Bai D7/384
D899,843 S * 10/2020 Ye D7/384
D899,844 S * 10/2020 Ye D7/386
2008/0198688 A1 * 8/2008 Peng A47J 27/004
366/145

(Continued)

Primary Examiner — Michael A. Pratt

(74) *Attorney, Agent, or Firm* — Morgan, Lewis & Bockius LLP

(57) **CLAIM**

The ornamental design for a food steamer, as shown and described.

DESCRIPTION

1. Food steamer

1.1 : Front

1.2 : Back

1.3 : Left

1.4 : Right

1.5 : Top

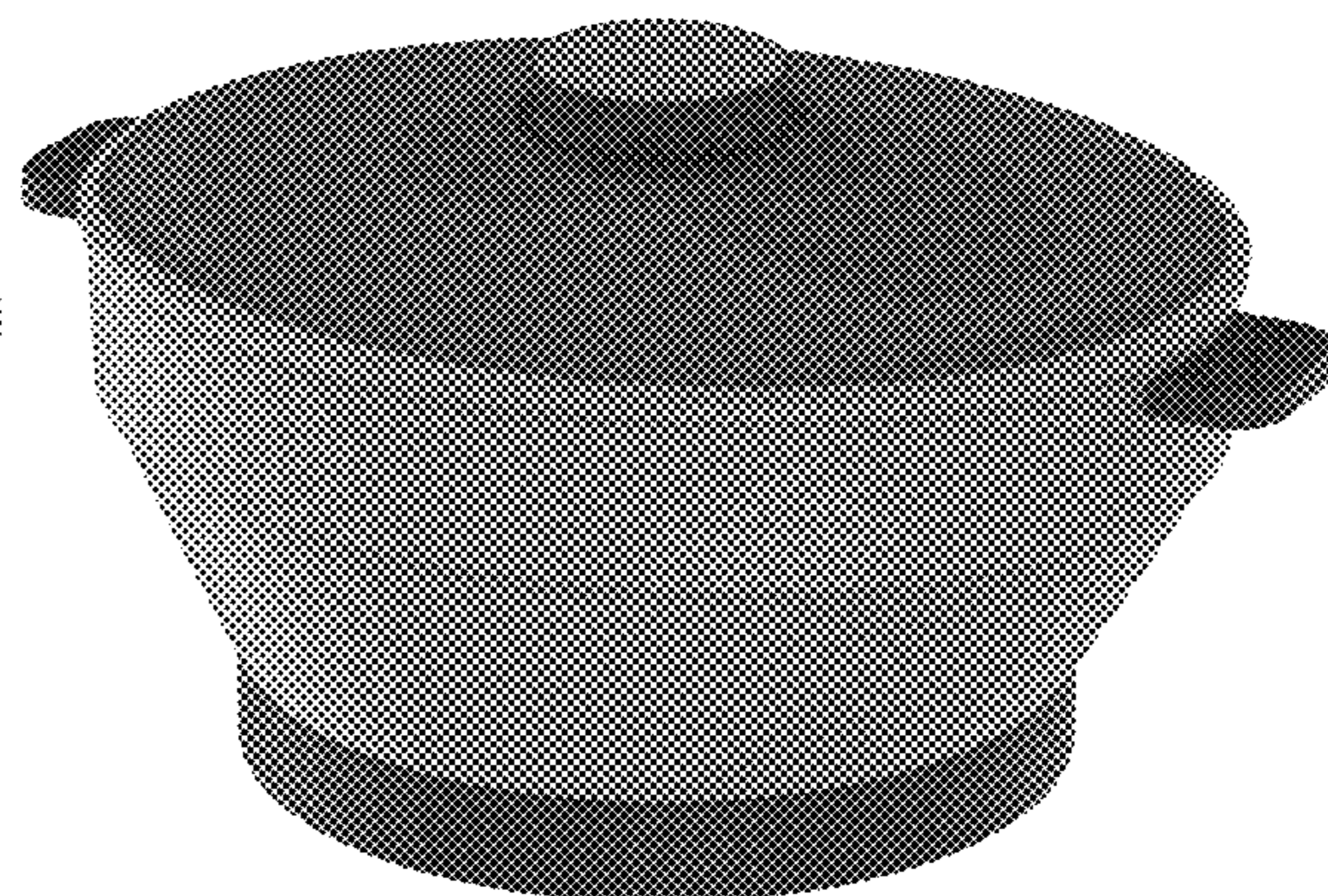
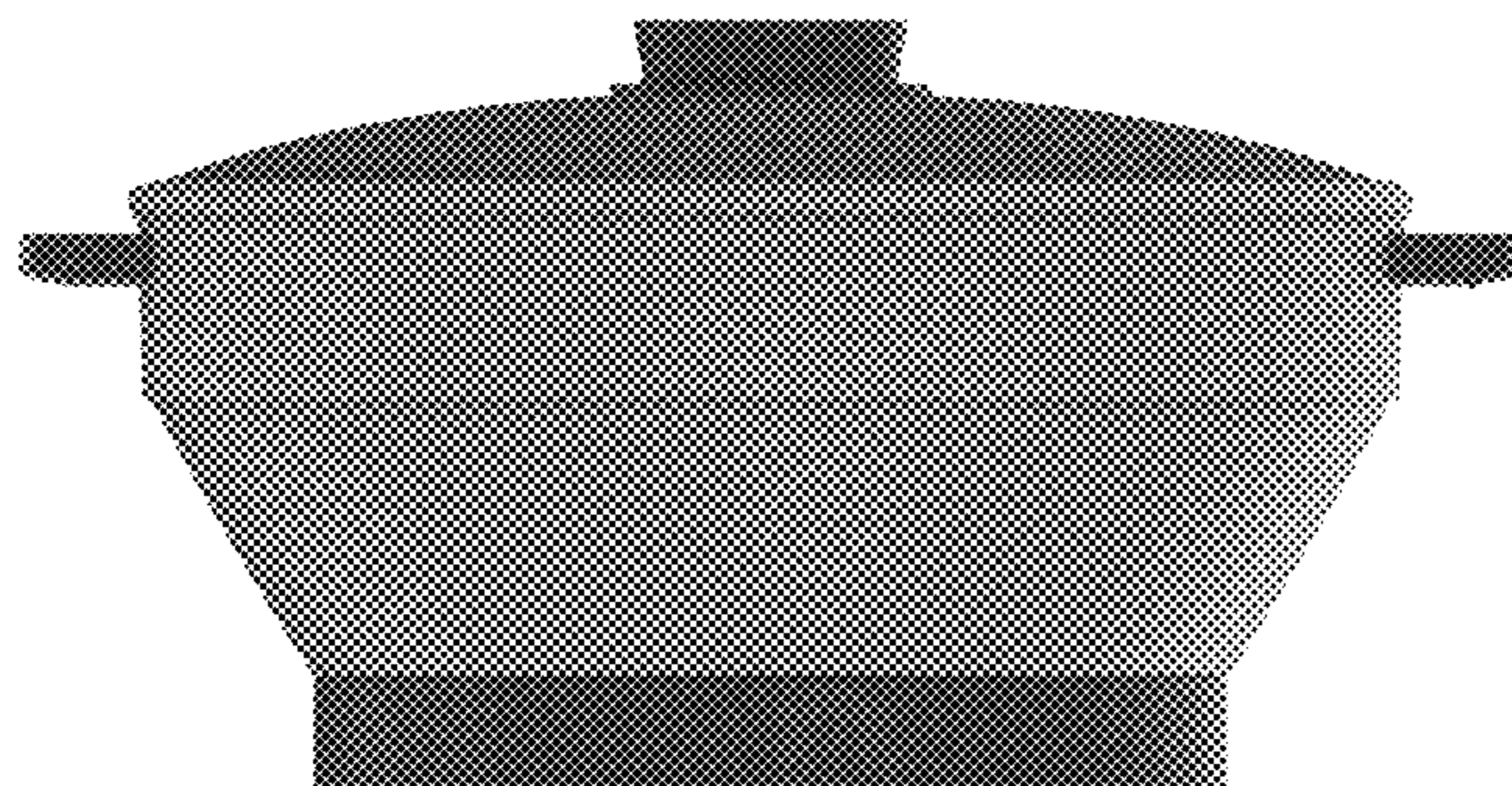
1.6 : Bottom

1.7 : Perspective

1.8 : Using state view

The reproduction 1.8 is submitted for illustrative purpose only and forms no part of the claimed design; no color is claimed in this application.

1 Claim, 8 Drawing Sheets



(56)

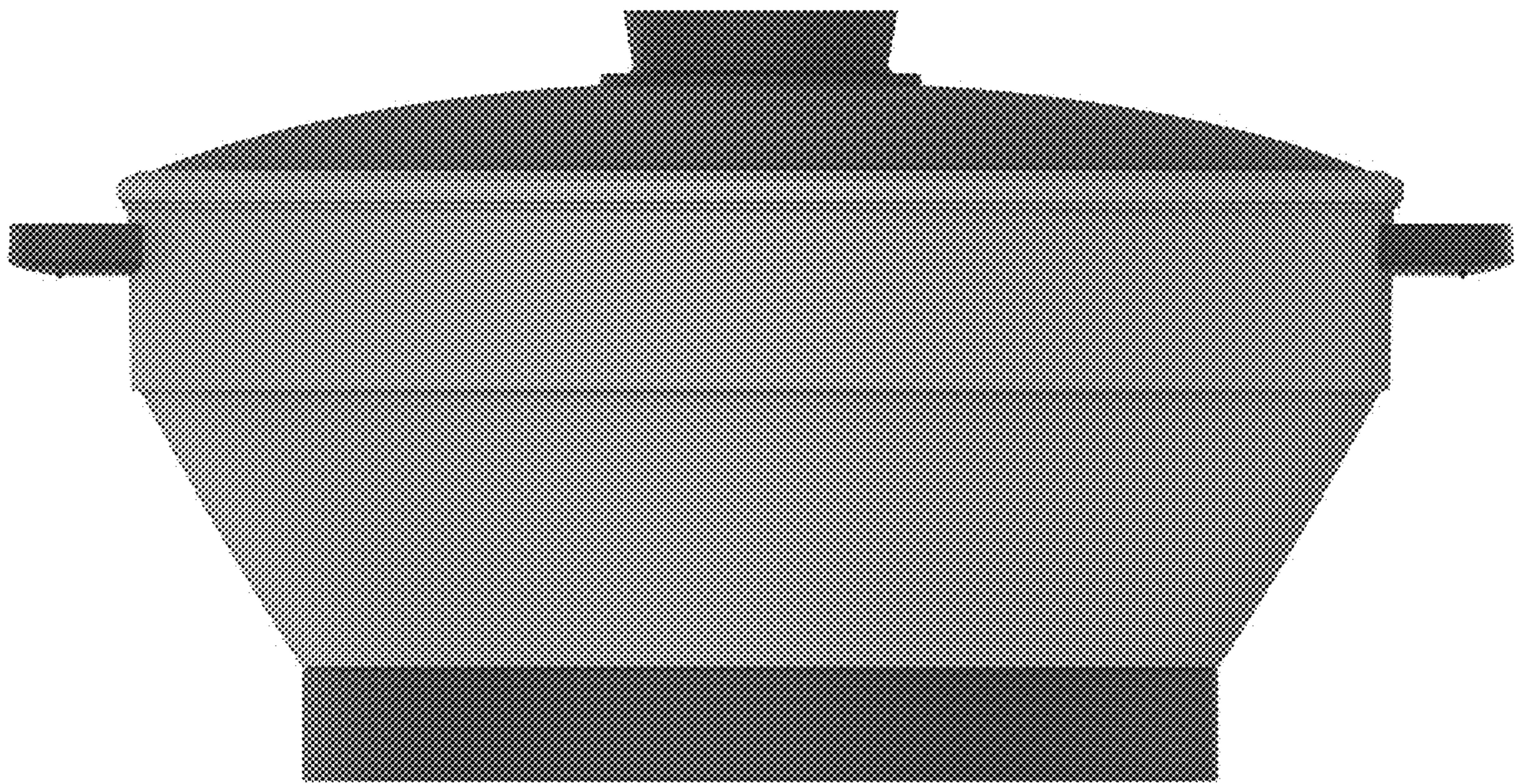
References Cited

U.S. PATENT DOCUMENTS

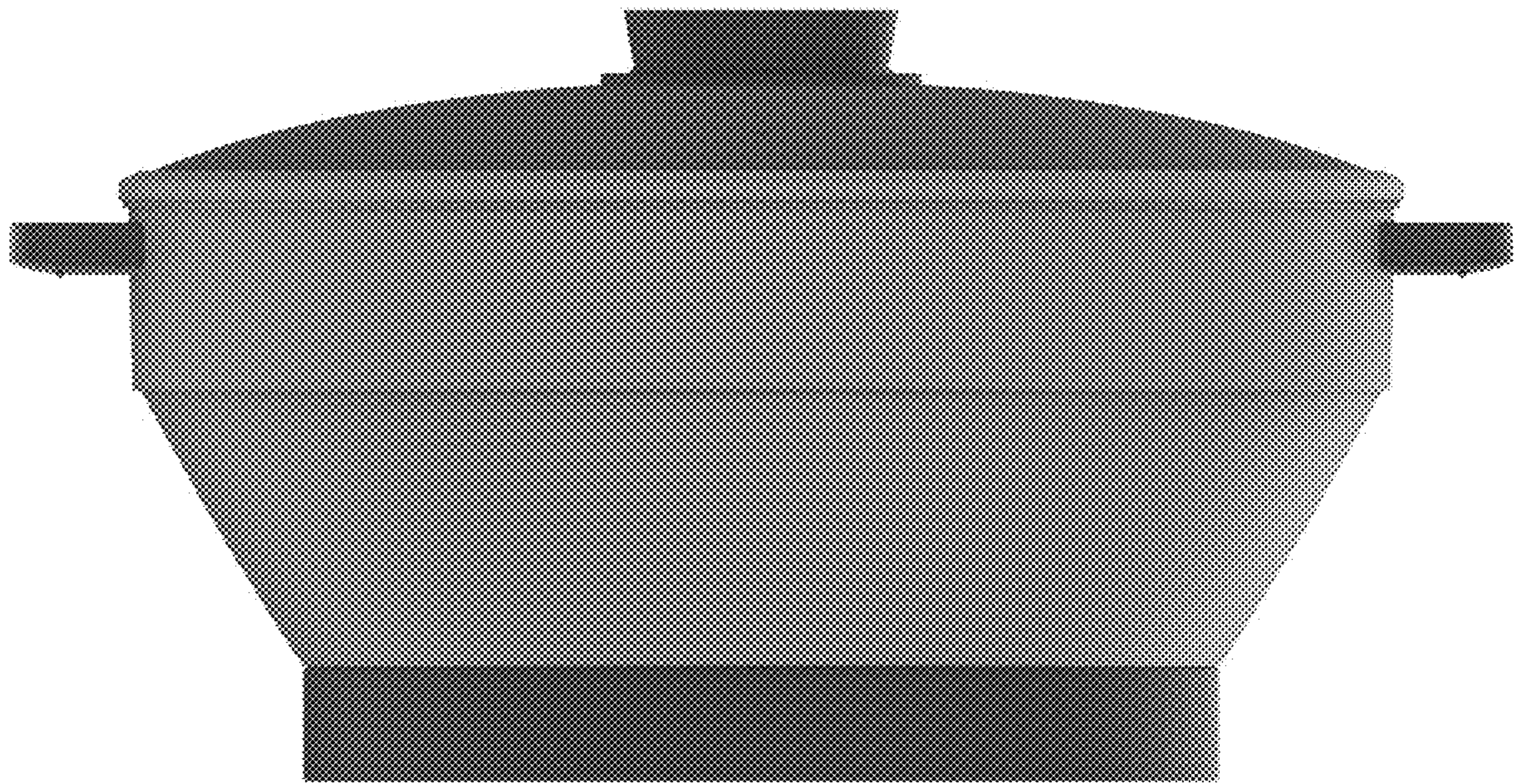
2014/0083305 A1* 3/2014 Lin A47J 44/02
99/353
2014/0299692 A1* 10/2014 Zakowski A47J 43/0716
241/100
2016/0035335 A1* 2/2016 Kolar A47J 43/046
366/314
2016/0220071 A1* 8/2016 Hewitt A47J 43/0716
2017/0217042 A1* 8/2017 Zakowski A47J 43/0716
2018/0206677 A1* 7/2018 Ivarsson A47J 27/004
2019/0111439 A1* 4/2019 Bouhours B02C 18/18
2021/0022557 A1* 1/2021 Atinaja A47J 43/0716

* cited by examiner

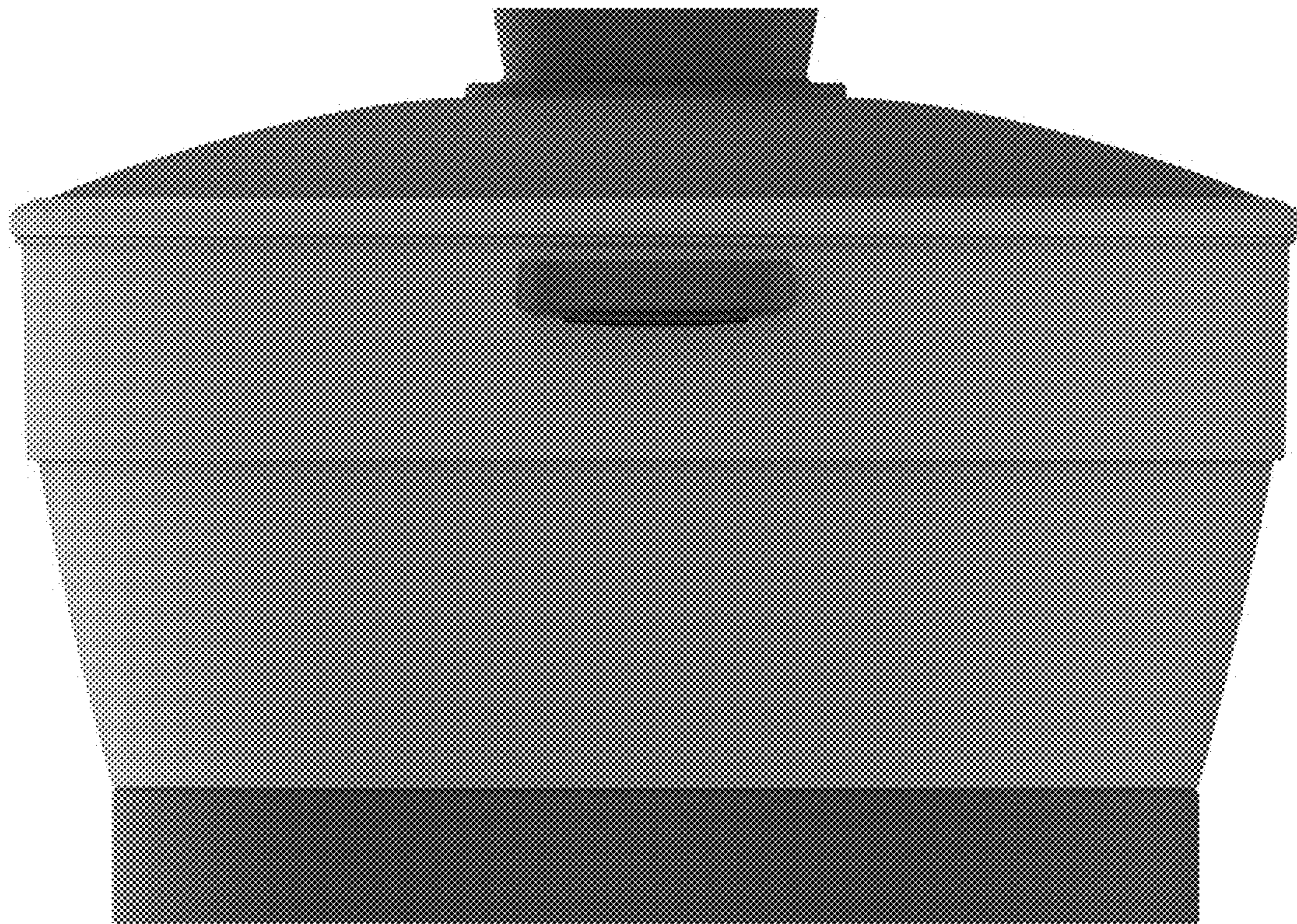
1.1



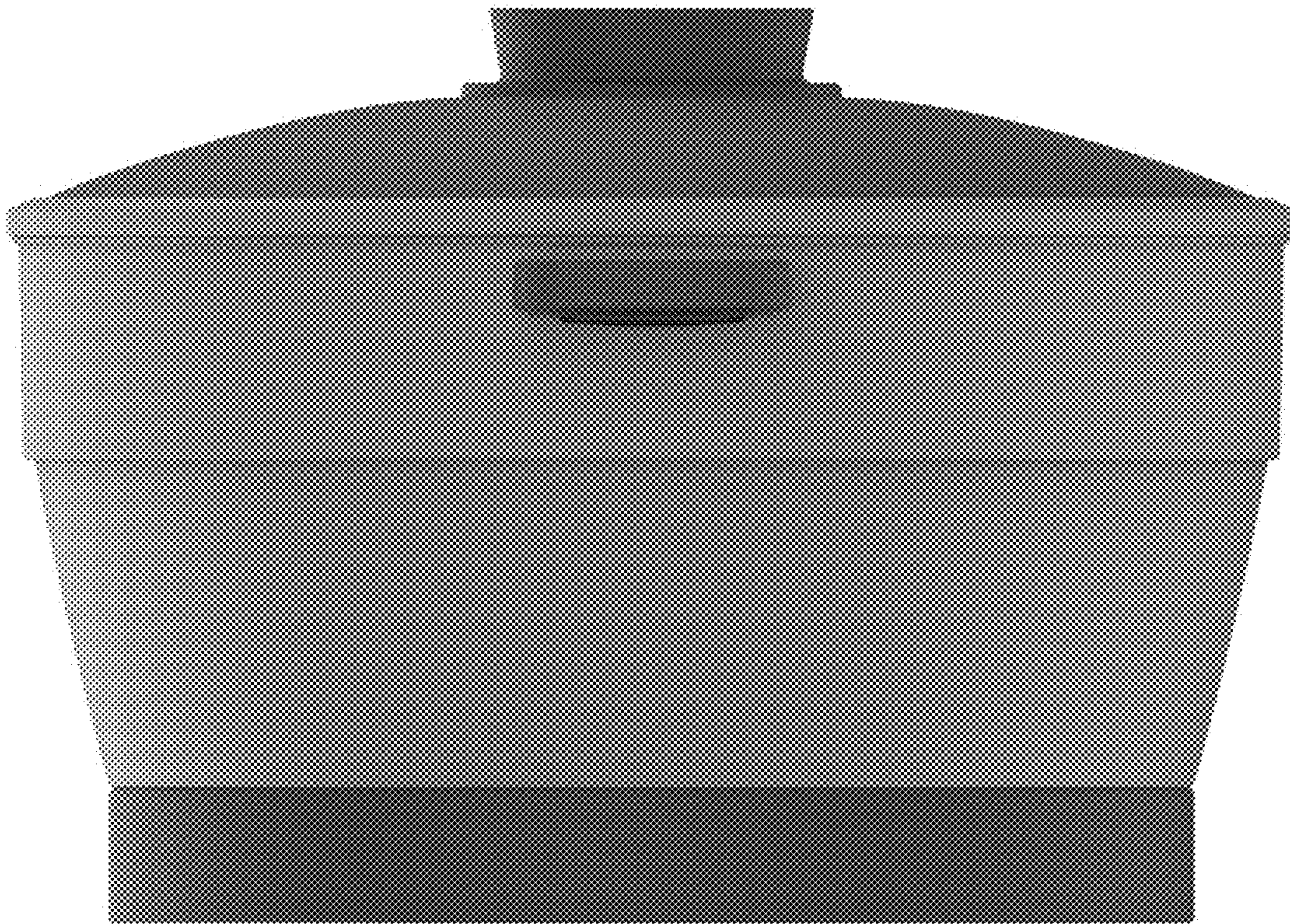
1.2



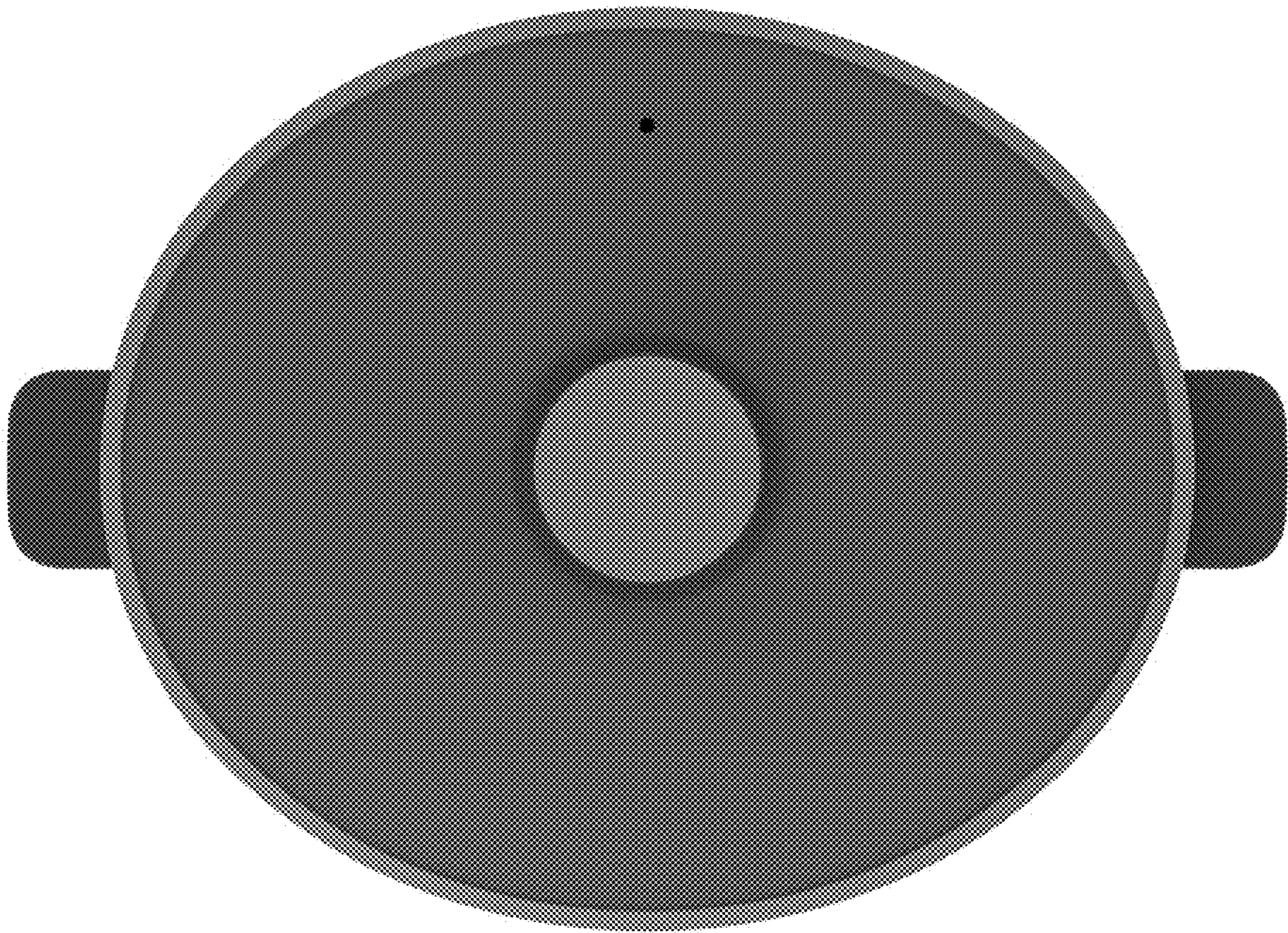
1.3



1.4



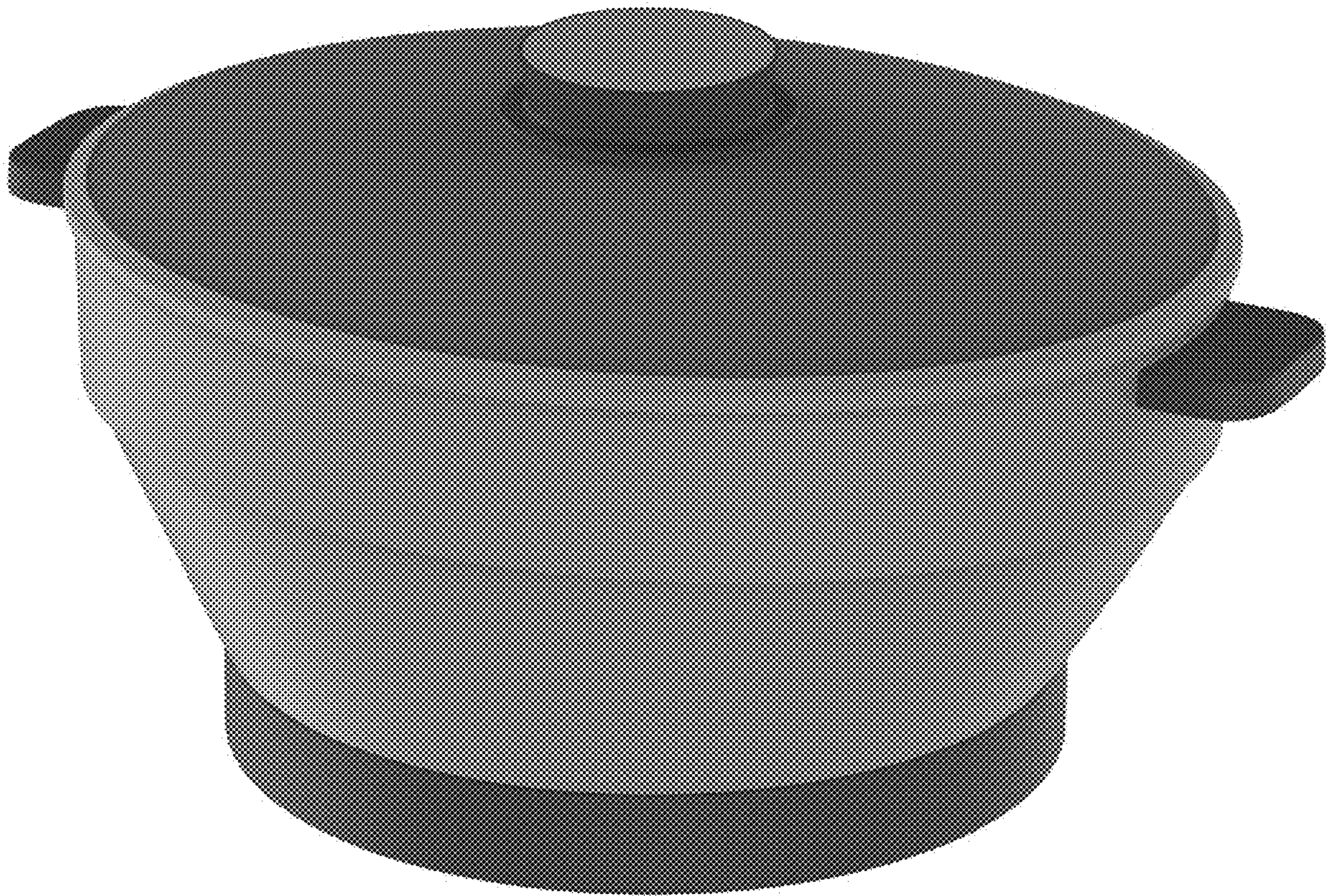
1.5



1.6



1.7



1.8

