



US00D922813S

(12) **United States Design Patent** (10) **Patent No.:** **US D922,813 S**
Akkad (45) **Date of Patent:** **** Jun. 22, 2021**

- (54) **WEBBED SAUCER CHAIR**
- (71) Applicant: **Idea Nuova, Inc.**, New York, NY (US)
- (72) Inventor: **Benjamin S. Akkad**, New York, NY (US)
- (73) Assignee: **IDEA NUOVA, INC.**, New York, NY (US)
- (**) Term: **15 Years**
- (21) Appl. No.: **29/620,083**
- (22) Filed: **Mar. 8, 2016**

D711,151 S *	8/2014	Christakos	D6/368
D718,546 S *	12/2014	Christakos	D6/368
D718,547 S *	12/2014	Christakos	D6/368
D737,587 S *	9/2015	Akkad	D6/368
D738,640 S *	9/2015	Akkad	D6/368
D761,605 S *	7/2016	Akkad	D6/716
D822,398 S *	7/2018	Zhuang	D6/368

Related U.S. Application Data

- (62) Division of application No. 29/499,511, filed on Aug. 15, 2014, now Pat. No. Des. 761,605.
- (51) **LOC (13) Cl.** **06-01**
- (52) **U.S. Cl.**
USPC **D6/716; D6/368**
- (58) **Field of Classification Search**
USPC D6/334-336, 368, 369, 370, 371, 373, D6/375, 379, 380, 716, 716.1, 716.2, D6/716.3, 716.4
CPC A47C 3/12; A47C 4/00; A47C 4/24; A47C 4/28; A47C 4/30; A47C 4/283; A47C 4/38; A47C 4/42; A47C 4/48; A47C 5/04; A47C 5/10; A47C 7/282; A47C 5/06
See application file for complete search history.

References Cited

U.S. PATENT DOCUMENTS

D677,920 S *	3/2013	Christakos	D6/368
D681,970 S *	5/2013	Christakos	D6/368
D683,156 S *	5/2013	Christakos	D6/368
D710,120 S *	8/2014	Tseng	D6/368
D711,130 S *	8/2014	Christakos	D6/368
D711,139 S *	8/2014	Christakos	D6/368

OTHER PUBLICATIONS

Canopy Bungee Chair, Portable Folding Chair, Web, Gray, newegg.com, Retrieved Feb. 16, 2021, pp. 1-3, from https://www.newegg.com/p/0B2-08F6-00011?item=9SIARR8D4X9237&nm_mc=knc-googleleadwords&cm_mmc=knc-googleleadwords--fitness%20accessories--factory%2025--9SIARR8D4X9237&source=region (Year: 2021).*

* cited by examiner

Primary Examiner — Mimoso De
(74) *Attorney, Agent, or Firm* — Panitch Schwarze Belisario & Nadel LLP

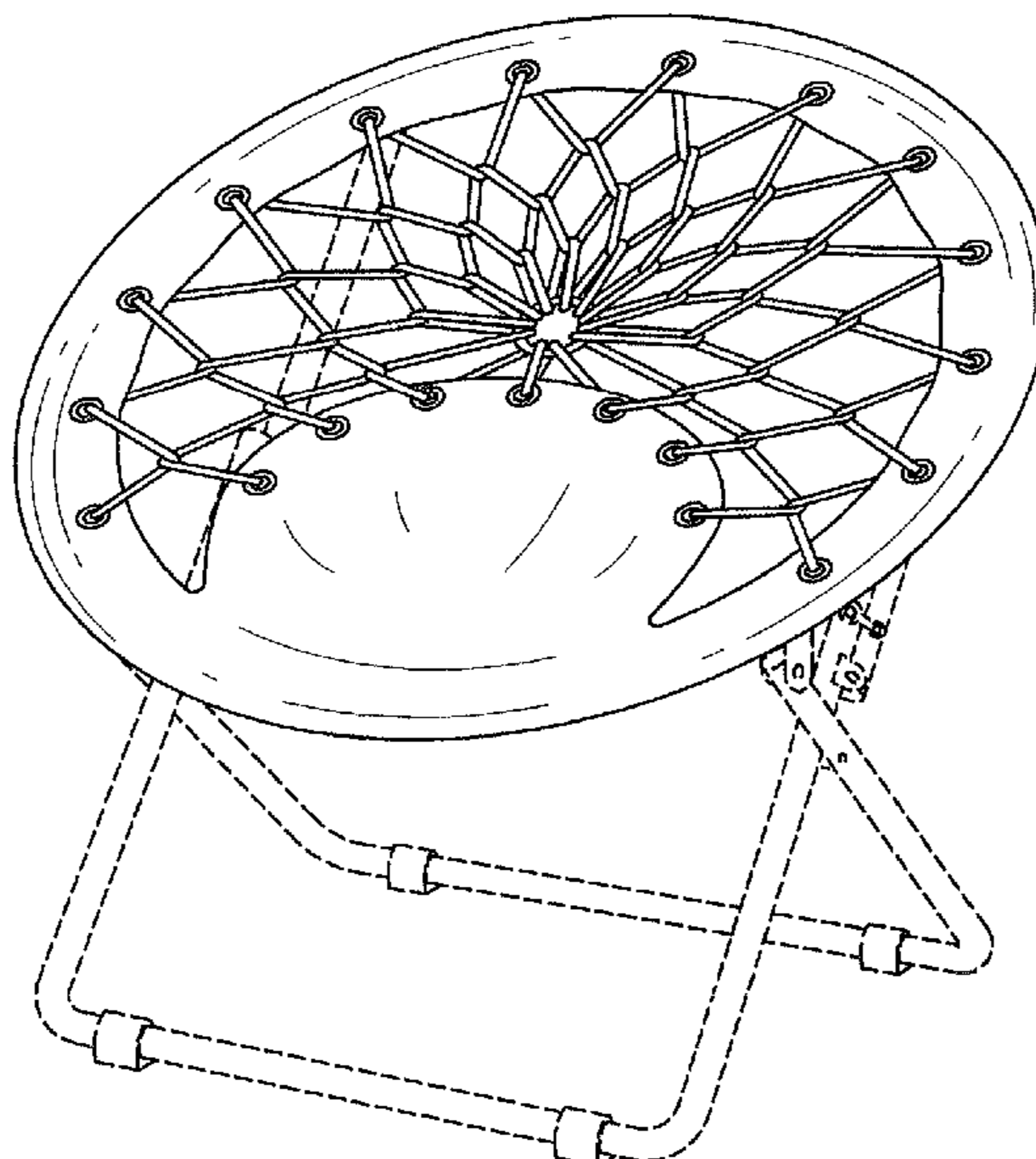
(57) **CLAIM**

The ornamental design for a webbed saucer chair, as shown and described.

DESCRIPTION

FIG. 1 is a front perspective view of a webbed saucer chair in accordance with my new design;
FIG. 2 is a front elevation view thereof;
FIG. 3 is a left side elevation view thereof, a right side elevation view thereof being a mirror image;
FIG. 4 is a rear elevation view thereof;
FIG. 5 is a top plan view thereof; and,
FIG. 6 is a bottom plan view thereof.
The broken lines in the figures are for the purpose of showing environmental structure and form no part of the claimed design.

1 Claim, 5 Drawing Sheets



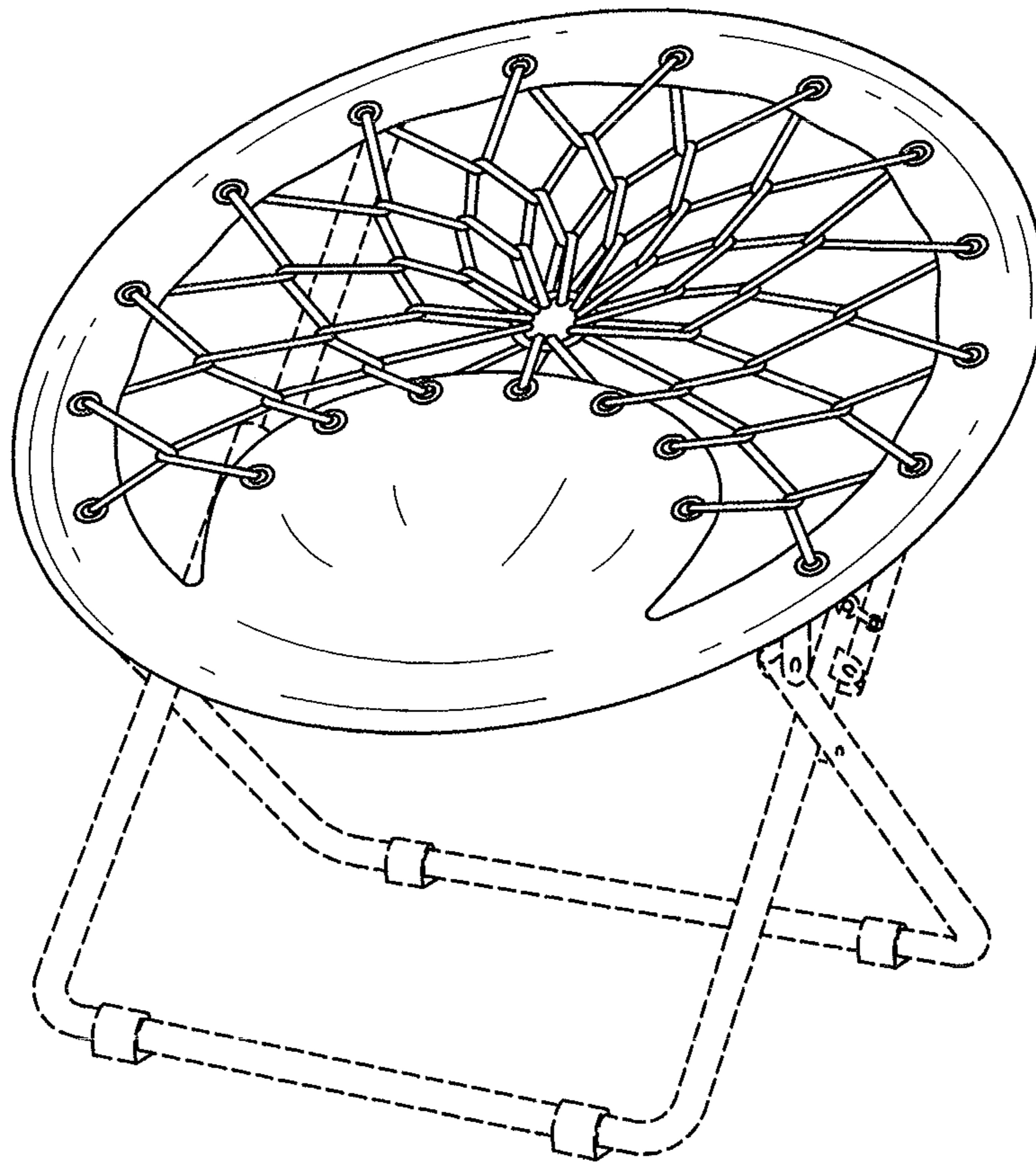


Fig. 1

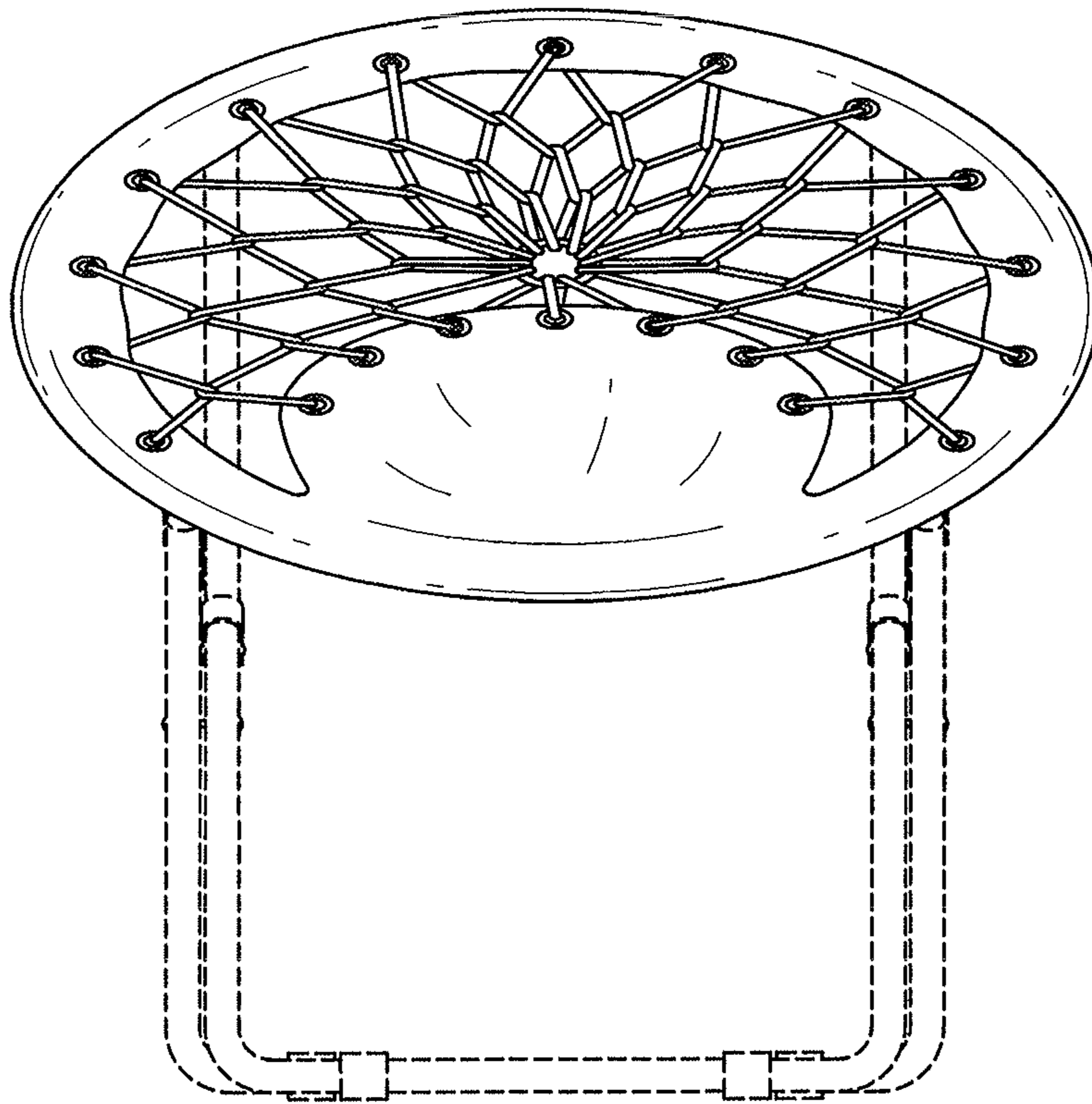


Fig. 2

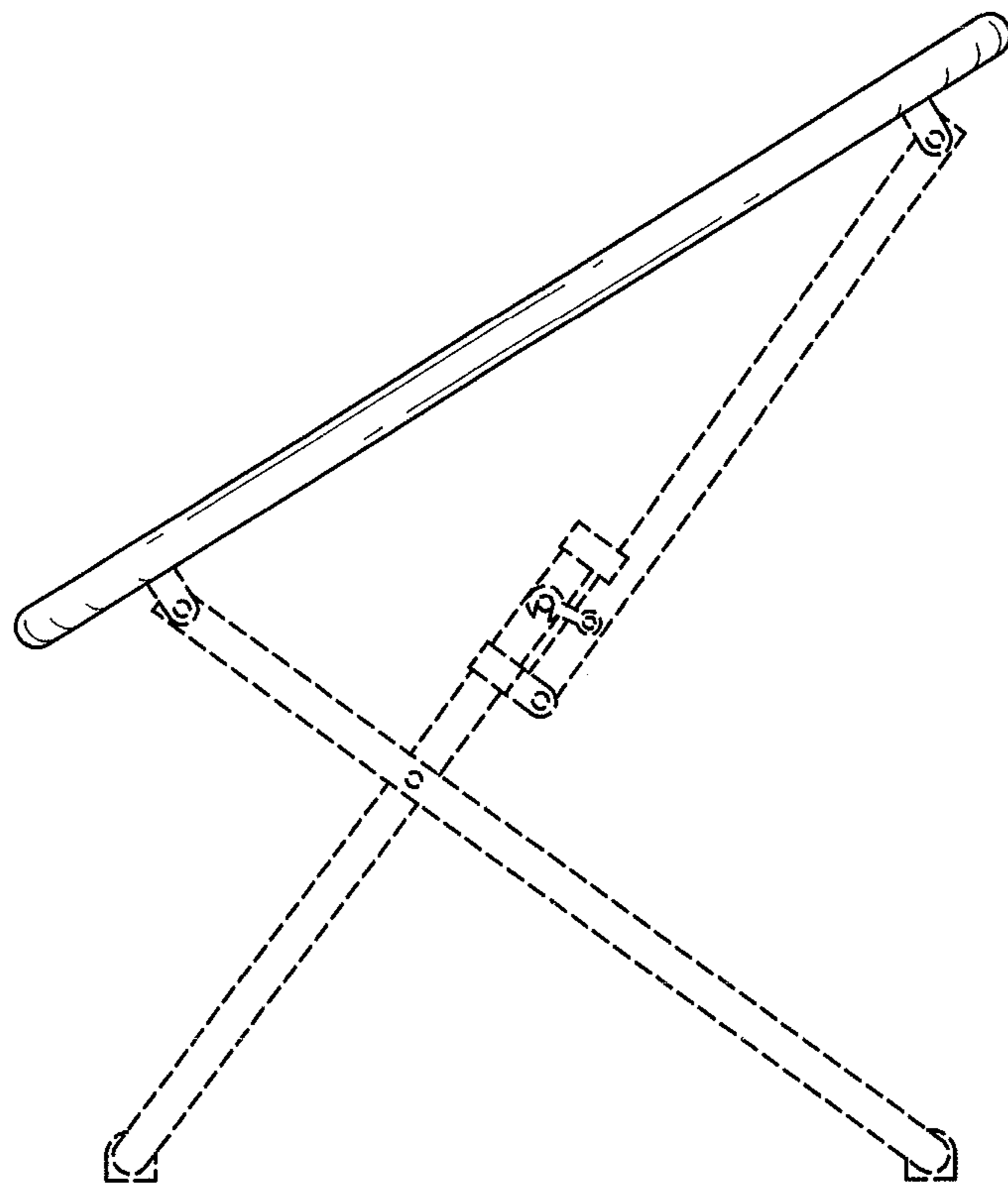


Fig. 3

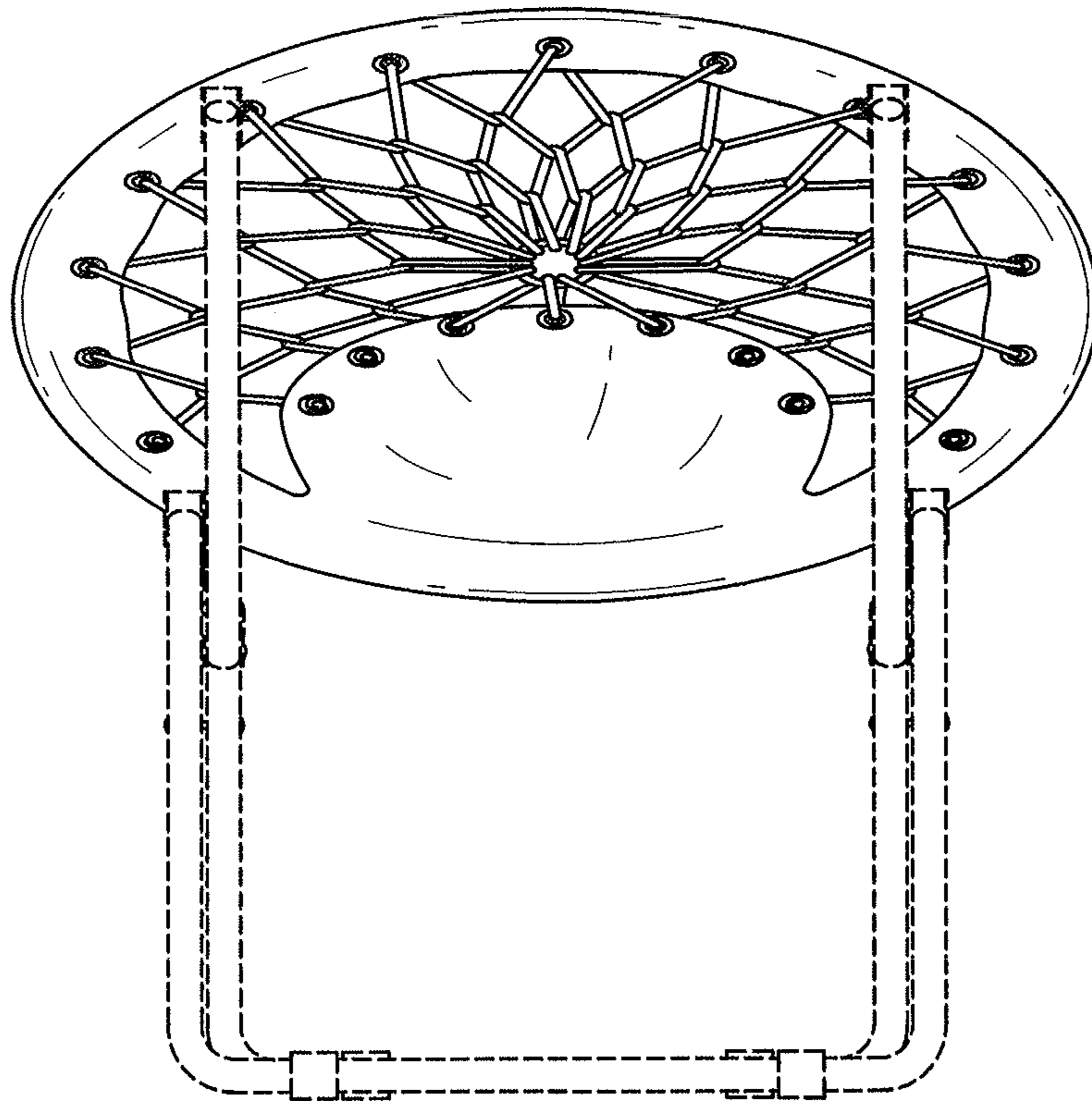


Fig. 4

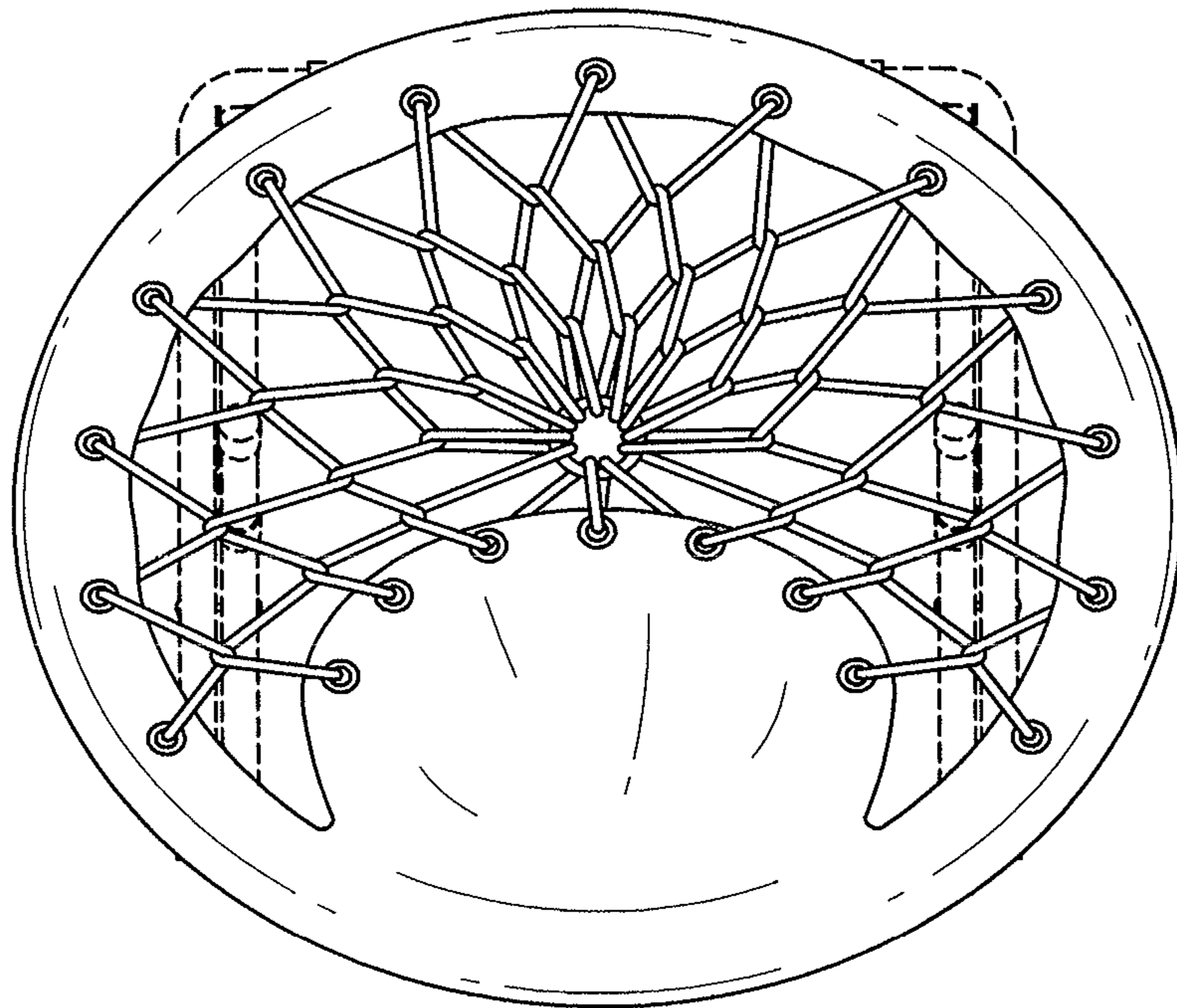


Fig. 5

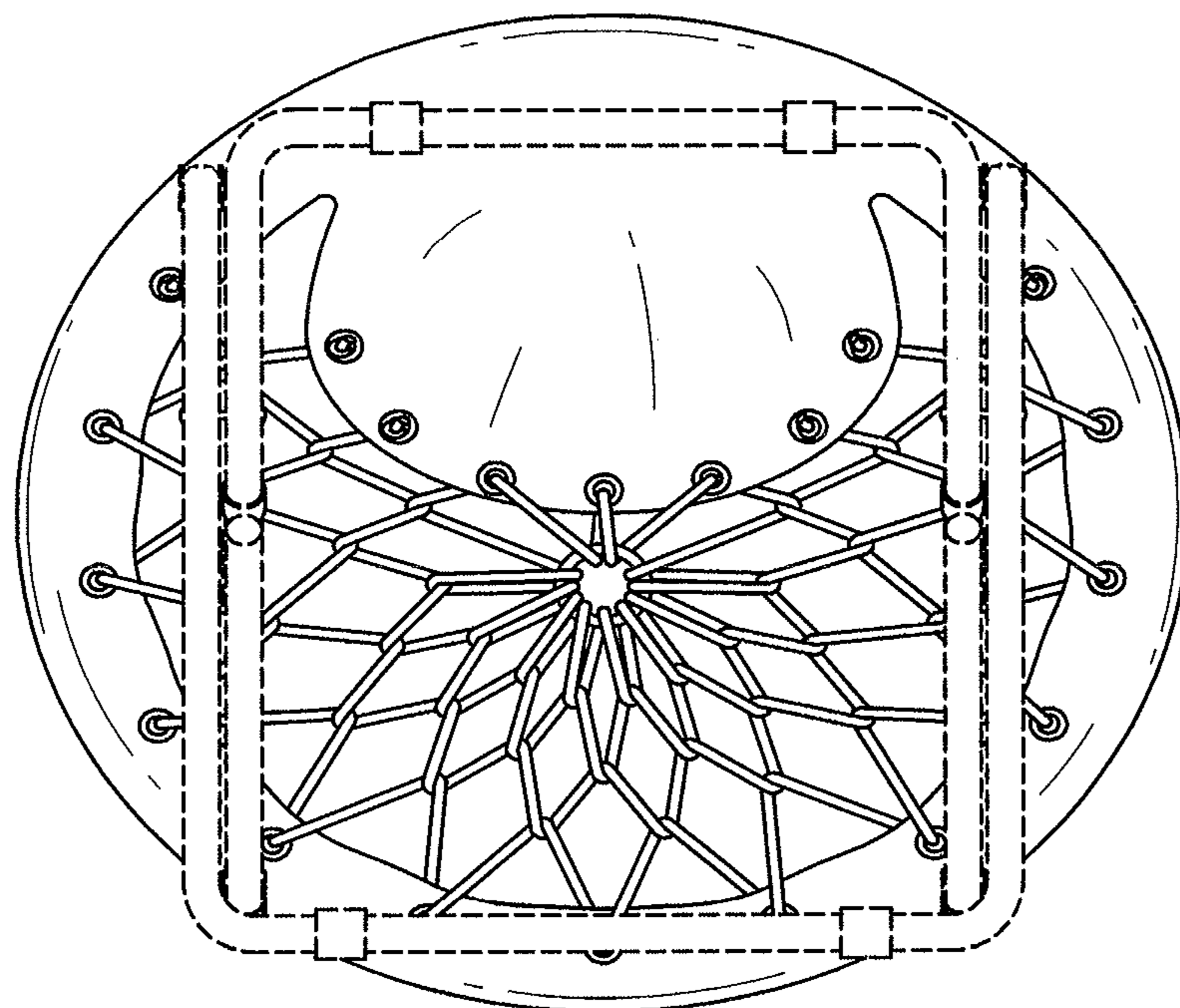


Fig. 6