



US00D922812S

(12) **United States Design Patent**
Gfesser et al.

(10) **Patent No.:** **US D922,812 S**

(45) **Date of Patent:** **** Jun. 22, 2021**

(54) **CHAIR BASE HAVING WOOD LEGS**

(71) Applicant: **Trendler, Inc.**, Chicago, IL (US)

(72) Inventors: **Martin F. Gfesser**, Glen Ellyn, IL (US); **Stefan A. Gfesser**, Schaumburg, IL (US)

(73) Assignee: **Trendler, Inc.**, Chicago, IL (US)

(**) Term: **15 Years**

(21) Appl. No.: **29/745,701**

(22) Filed: **Aug. 7, 2020**

Related U.S. Application Data

(63) Continuation of application No. 29/645,656, filed on Apr. 27, 2018, now Pat. No. Des. 893,904.

(51) **LOC (13) Cl.** **06-01**

(52) **U.S. Cl.**
USPC **D6/708**

(58) **Field of Classification Search**
USPC D6/334, 341, 349, 350, 352, 353, 360,
D6/364, 369, 370, 373, 374, 375, 380,
D6/677, 692, 700, 708, 708.16, 716, 351,
D6/379, 597

CPC A47C 3/34; A47C 7/506; A47C 9/007;
A47C 13/023; A47C 4/028; A47C 4/02;
A47C 7/004; A47D 1/00

See application file for complete search history.

(56) **References Cited**

U.S. PATENT DOCUMENTS

D126,270 S * 4/1941 Panzer D6/352
2,525,670 A * 10/1950 Hamilton A47C 7/26
5/402
D232,880 S * 9/1974 Samhammer D6/352
D259,751 S * 7/1981 Redmond D6/339

(Continued)

OTHER PUBLICATIONS

White, Anna. "Adjustable Height Wood and Metal Stool" Sep. 22, 2014, ana-white.com, site visited Oct. 9, 2020 <<https://www.ana-white.com/woodworking-projects/adjustable-height-wood-and-metal-stool>> (Year: 2014).*

Primary Examiner — Kevin K Rudzinski

Assistant Examiner — Paul D Bohannon

(74) *Attorney, Agent, or Firm* — Erickson Law Group, PC

(57) **CLAIM**

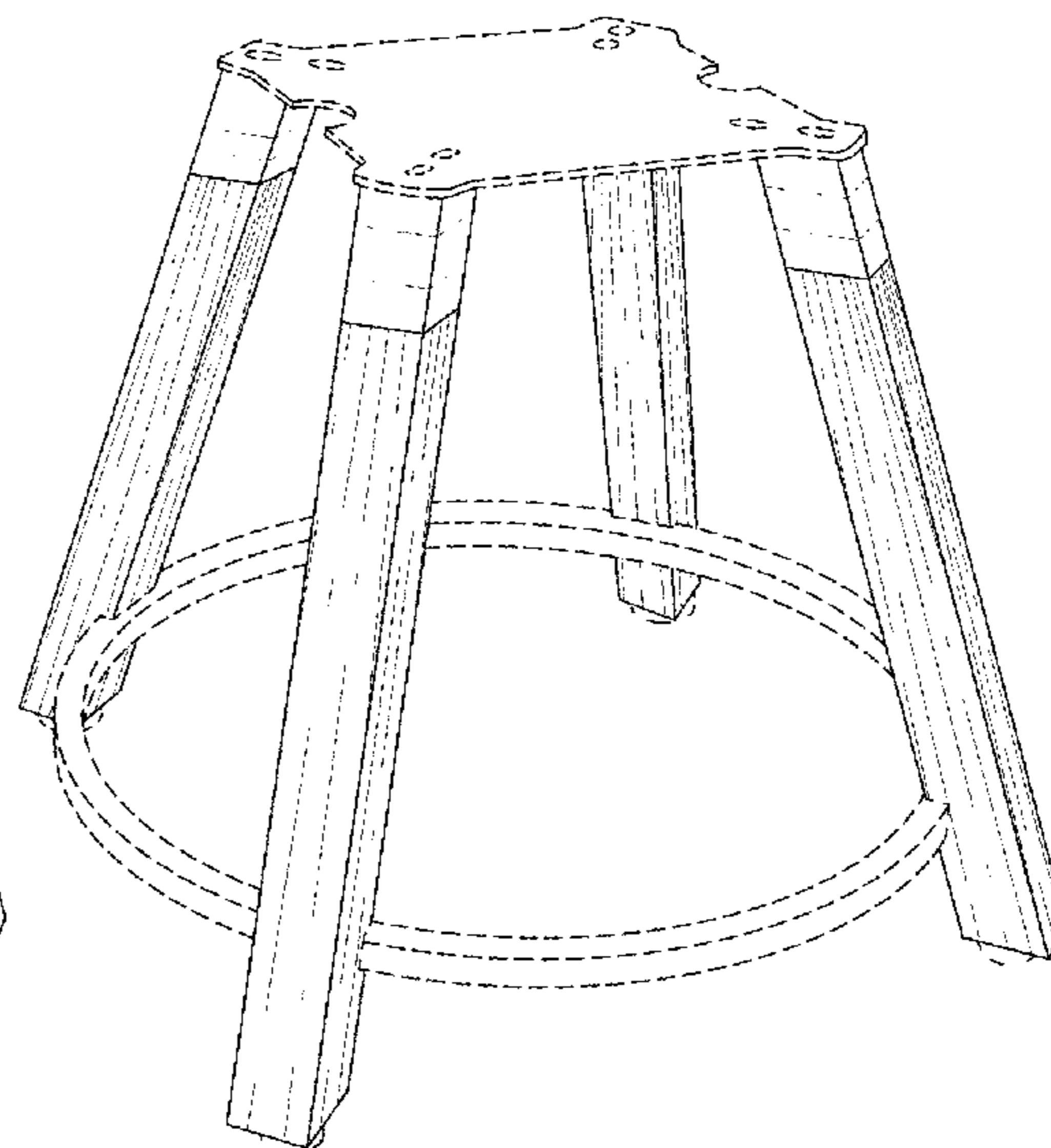
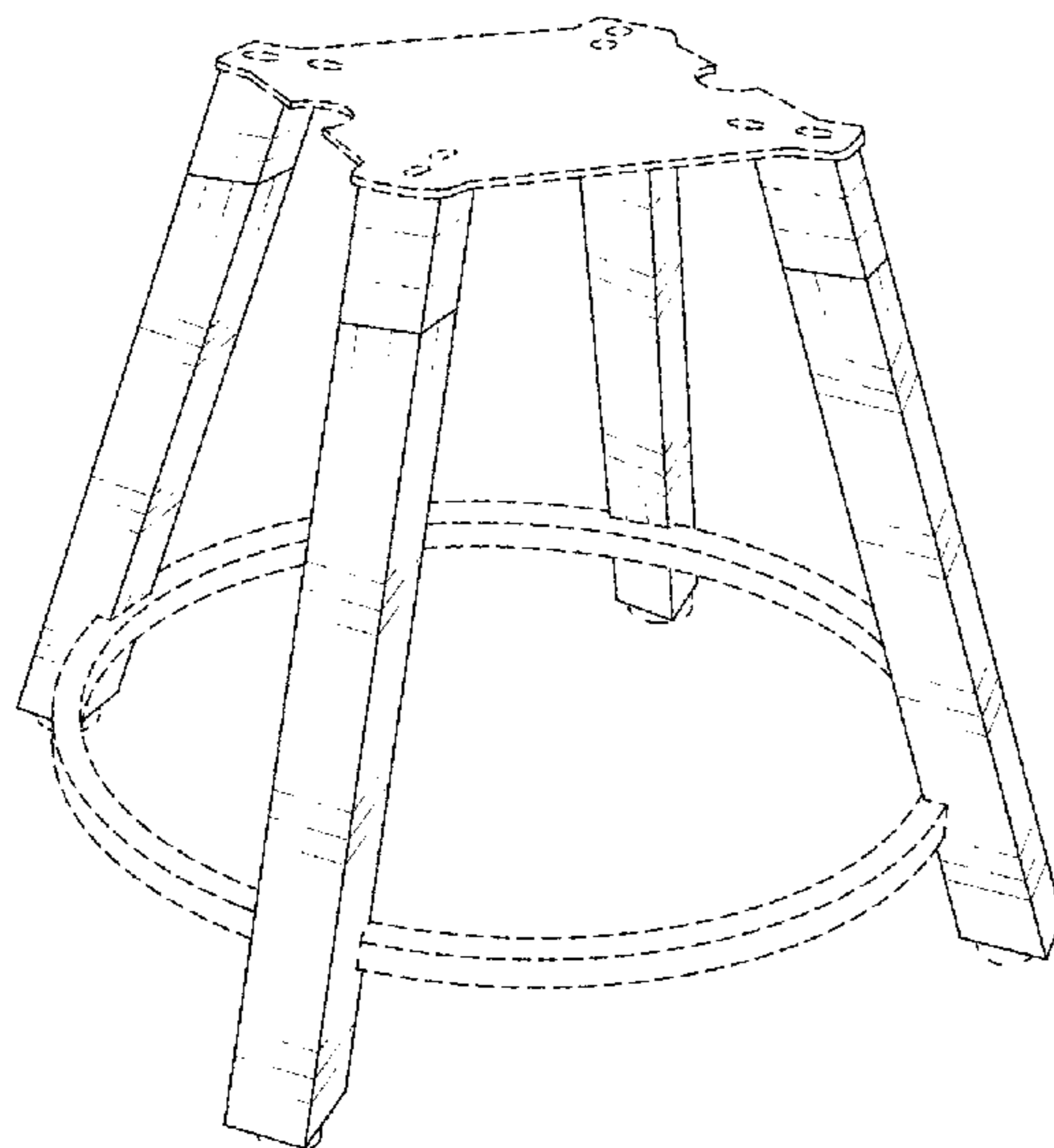
The ornamental design for a chair base having wood legs, as shown and described.

DESCRIPTION

FIG. 1 is a perspective view of a chair base having wood legs of the invention, where the wood legs extend below top caps. FIG. 2 is a front side view of the chair base of FIG. 1. FIG. 3 is a back side view of the chair base of FIG. 1. FIG. 4 is a left side view of the chair base of FIG. 1. FIG. 5 is a right side view of the chair base of FIG. 1. FIG. 6 is a top view of the chair base of FIG. 1. FIG. 7 is a bottom view of the chair base of FIG. 1. FIG. 8 is a perspective view of a second embodiment chair base having wood legs, where wood line shading of the legs is shown to identify the wood legs extending below the top caps. The front, back, left, right, top, and bottom views of the second embodiment are identical to those shown in FIGS. 2 through 7 except with the wood appearance of the legs shown with wood line shading as shown in FIG. 8 applied; and, FIG. 9 is a right side view of the chair base of FIG. 1, a seat shown in broken lines, and a human person shown sitting on the seat.

The broken lines of the chair base of FIGS. 1 through 9 are for the purpose of illustrating unclaimed portions of the chair base and form no part of the claimed design. The portions of the human person and the seat in FIG. 9 are not part of the claimed design.

1 Claim, 7 Drawing Sheets



(56)

References Cited

U.S. PATENT DOCUMENTS

D287,794	S	*	1/1987	Zakharov	D6/360
D294,434	S	*	3/1988	Zakharov	D6/360
4,998,774	A	*	3/1991	Huff	A47C 9/007 297/452.41
D427,812	S		7/2000	Donnelly		
D438,025	S	*	2/2001	Lopez	D6/349
D467,742	S	*	12/2002	de Blois	D6/349
6,749,265	B1		6/2004	Wang		
D530,944	S		10/2006	Samuel		
D535,828	S	*	1/2007	Gasca Burges	D6/349
D579,676	S		11/2008	Rheault		
D713,157	S		9/2014	Carrier		
D778,654	S		2/2017	Gfesser		
D798,069	S	*	9/2017	Iqbal	D6/334
D799,846	S	*	10/2017	Ono	D6/375
D800,465	S	*	10/2017	Ono	D6/360
D800,466	S	*	10/2017	Ono	D6/360
D819,990	S	*	6/2018	Ono	D6/352
D820,611	S	*	6/2018	Ono	D6/352
D824,682	S	*	8/2018	Zanayed	D6/352
D852,371	S	*	6/2019	Upton	D24/211
D859,021	S	*	9/2019	Novak	D6/369
D893,903	S	*	8/2020	Gfesser	D6/360
D893,904	S	*	8/2020	Gfesser	D6/360
D894,624	S	*	9/2020	Gfesser	D6/360
D897,127	S	*	9/2020	Li	D6/380
2012/0100971	A1	*	4/2012	Chiu	A63B 23/0211 482/139

* cited by examiner

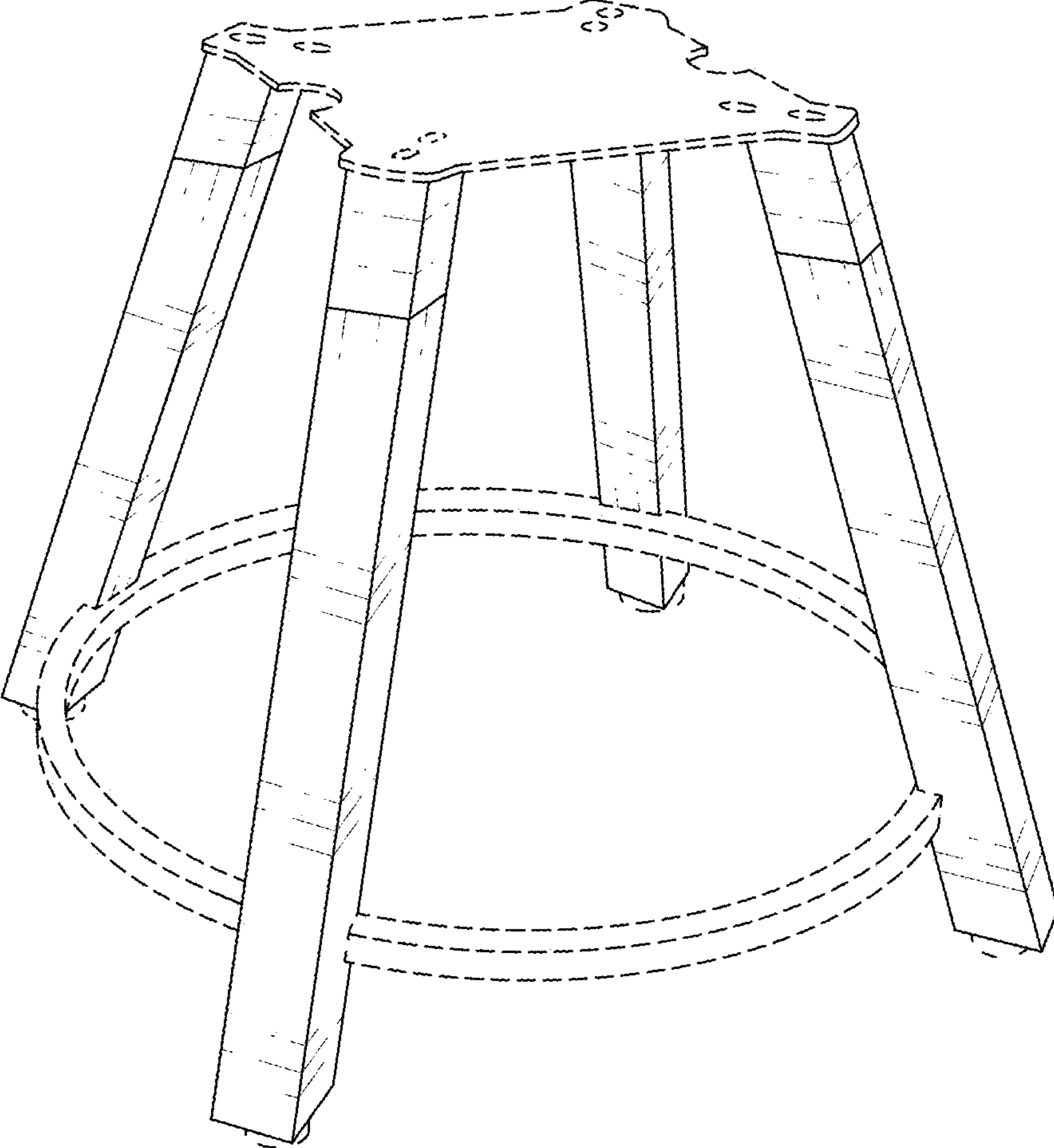


FIG. 1

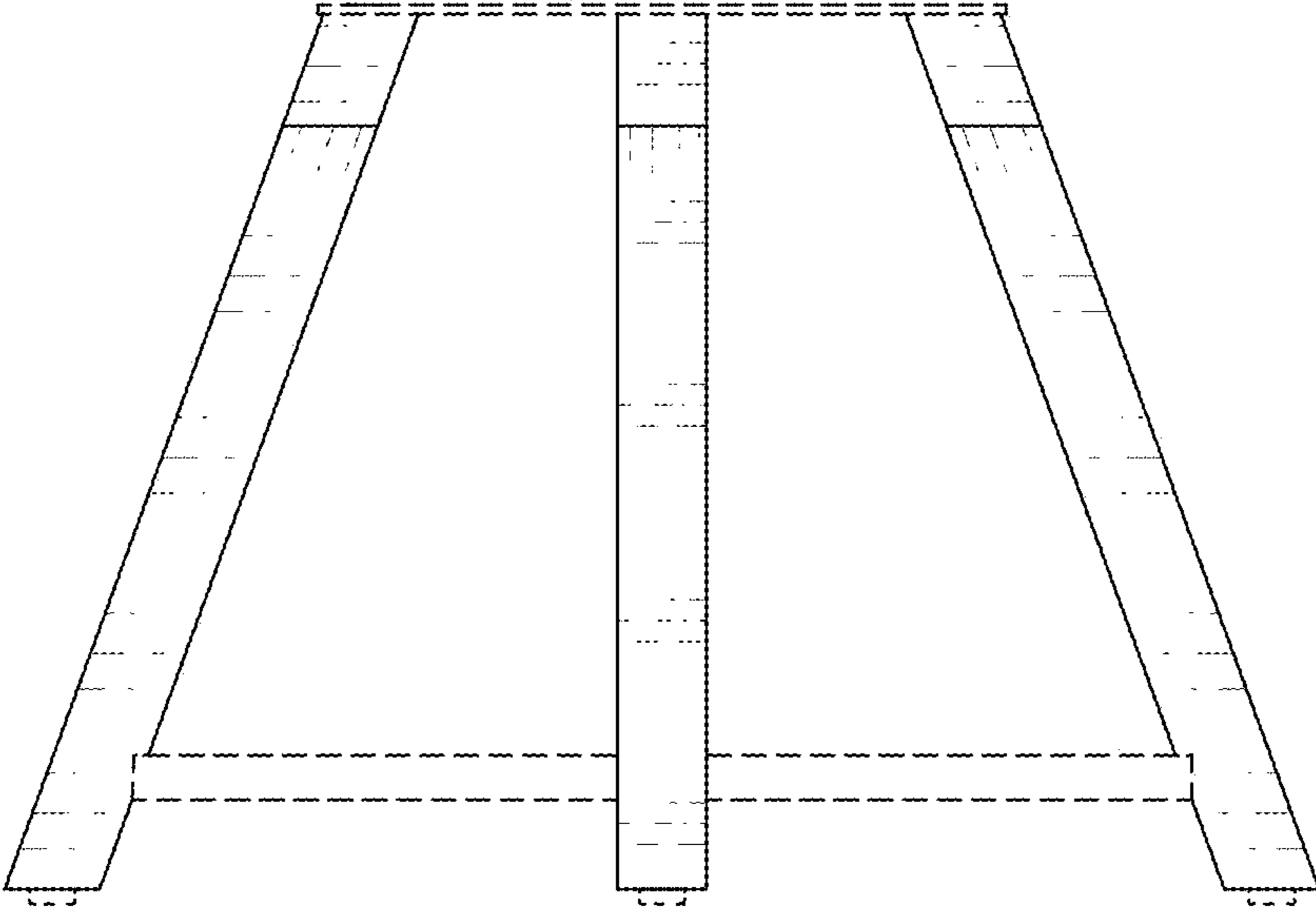


FIG. 2

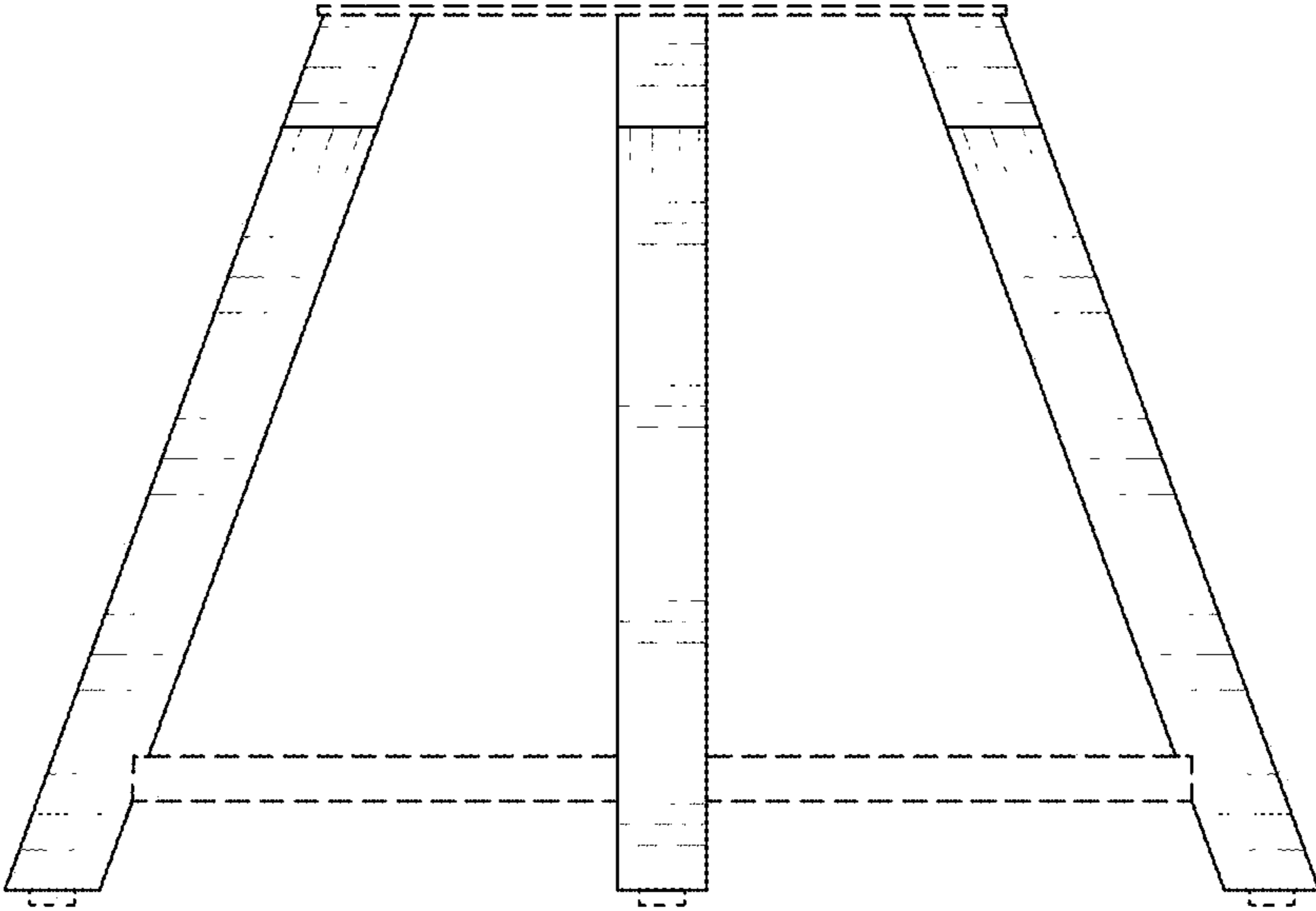


FIG. 3

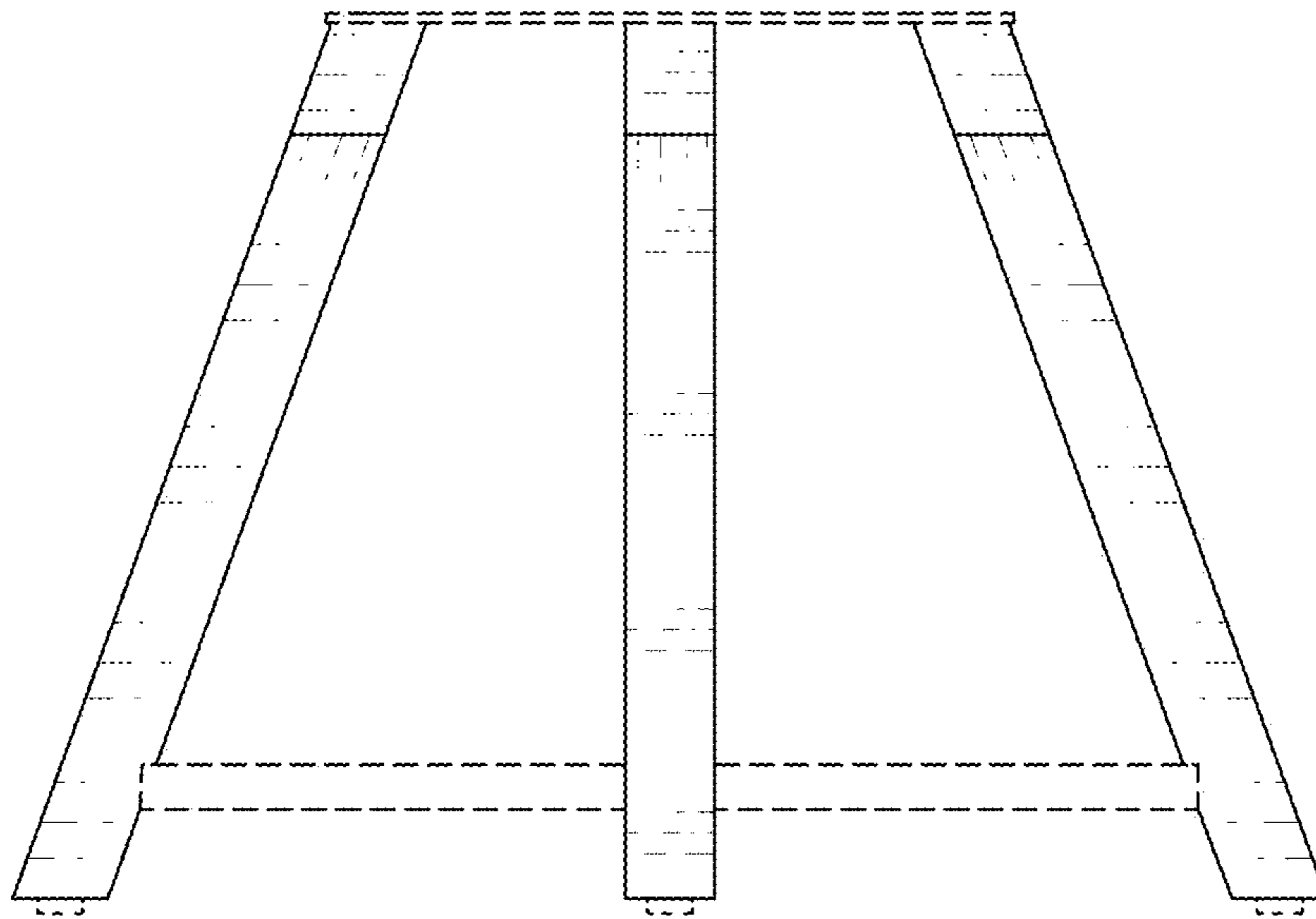


FIG. 4

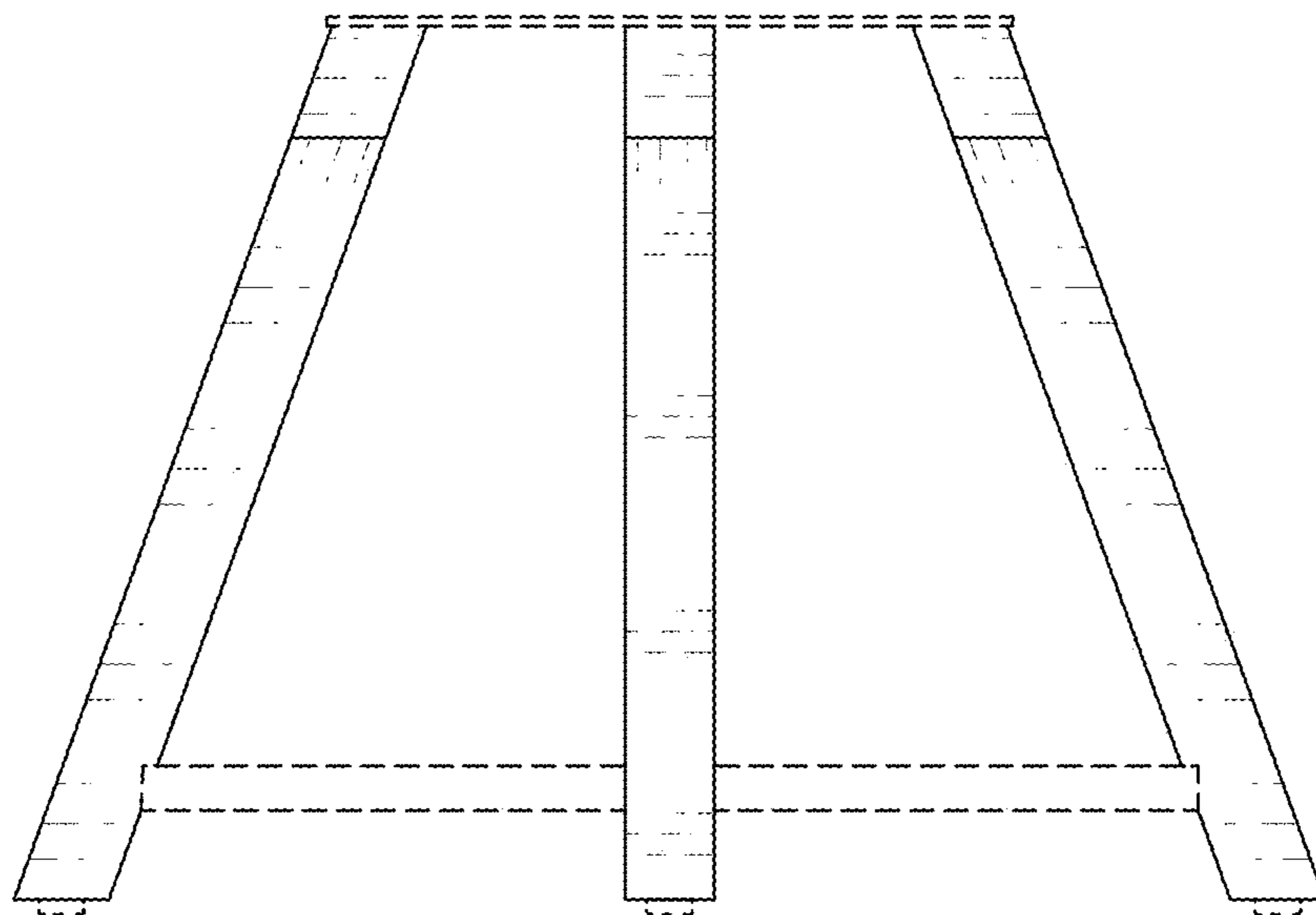


FIG. 5

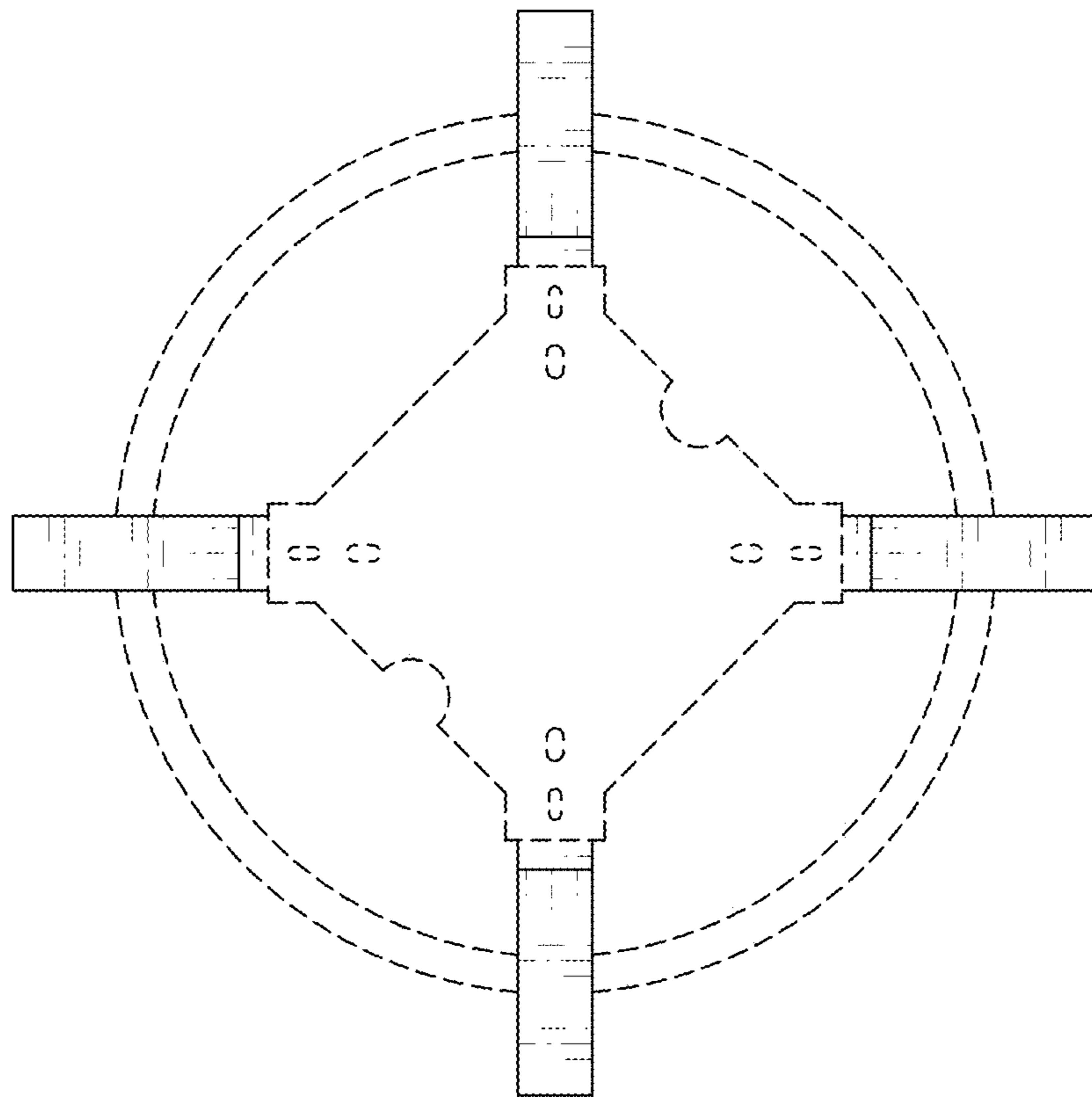


FIG. 6

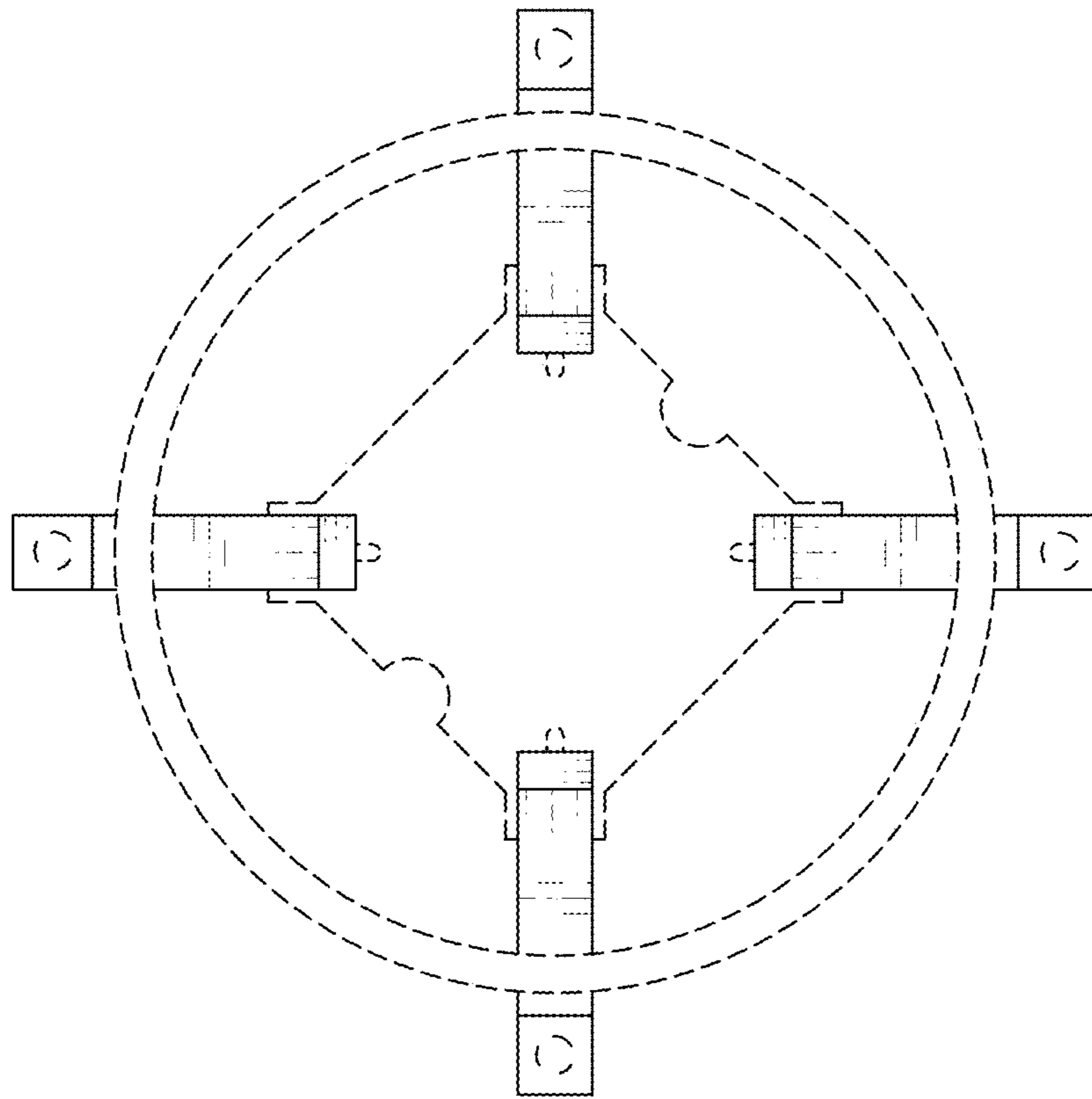


FIG. 7

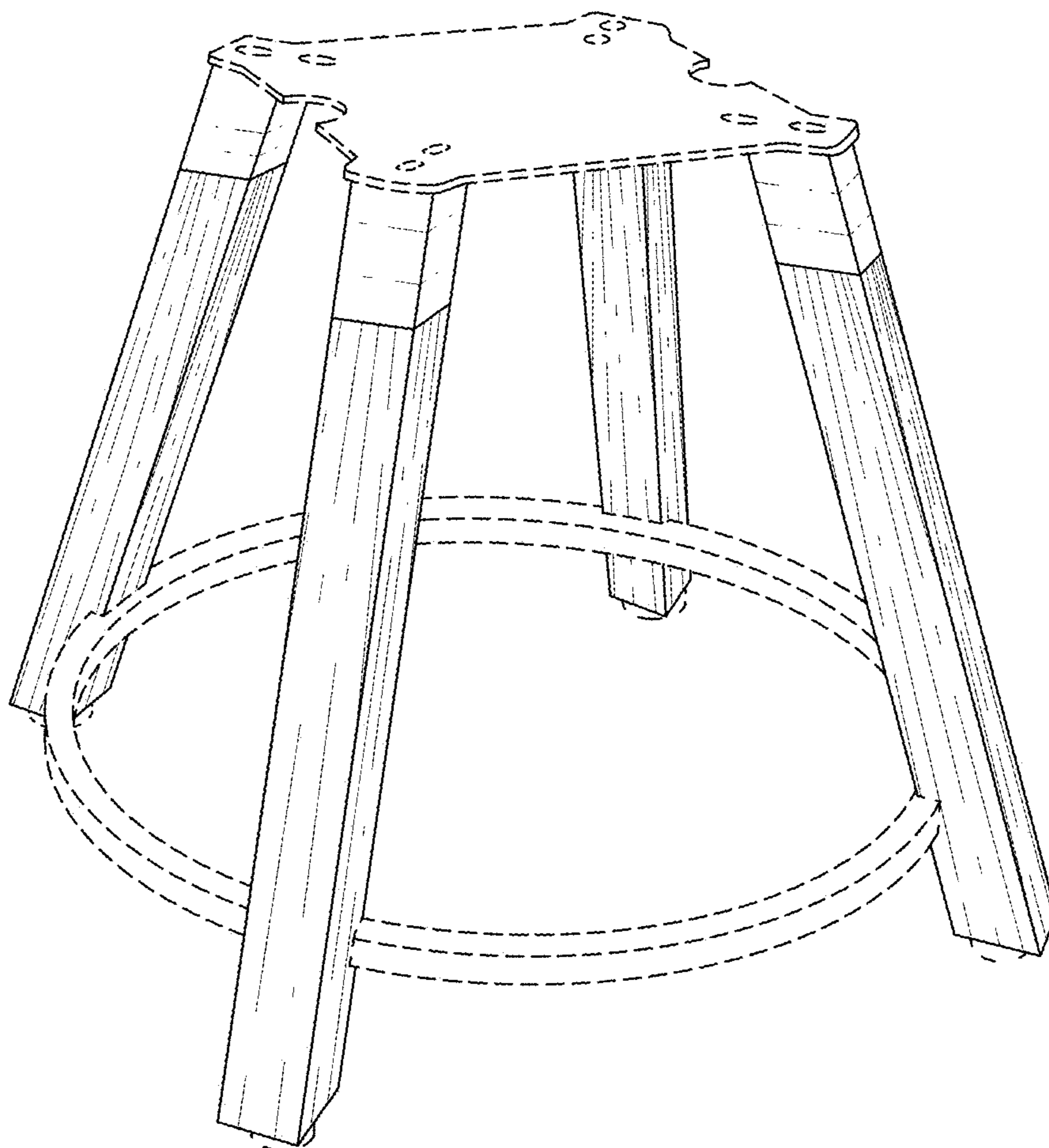


FIG. 8

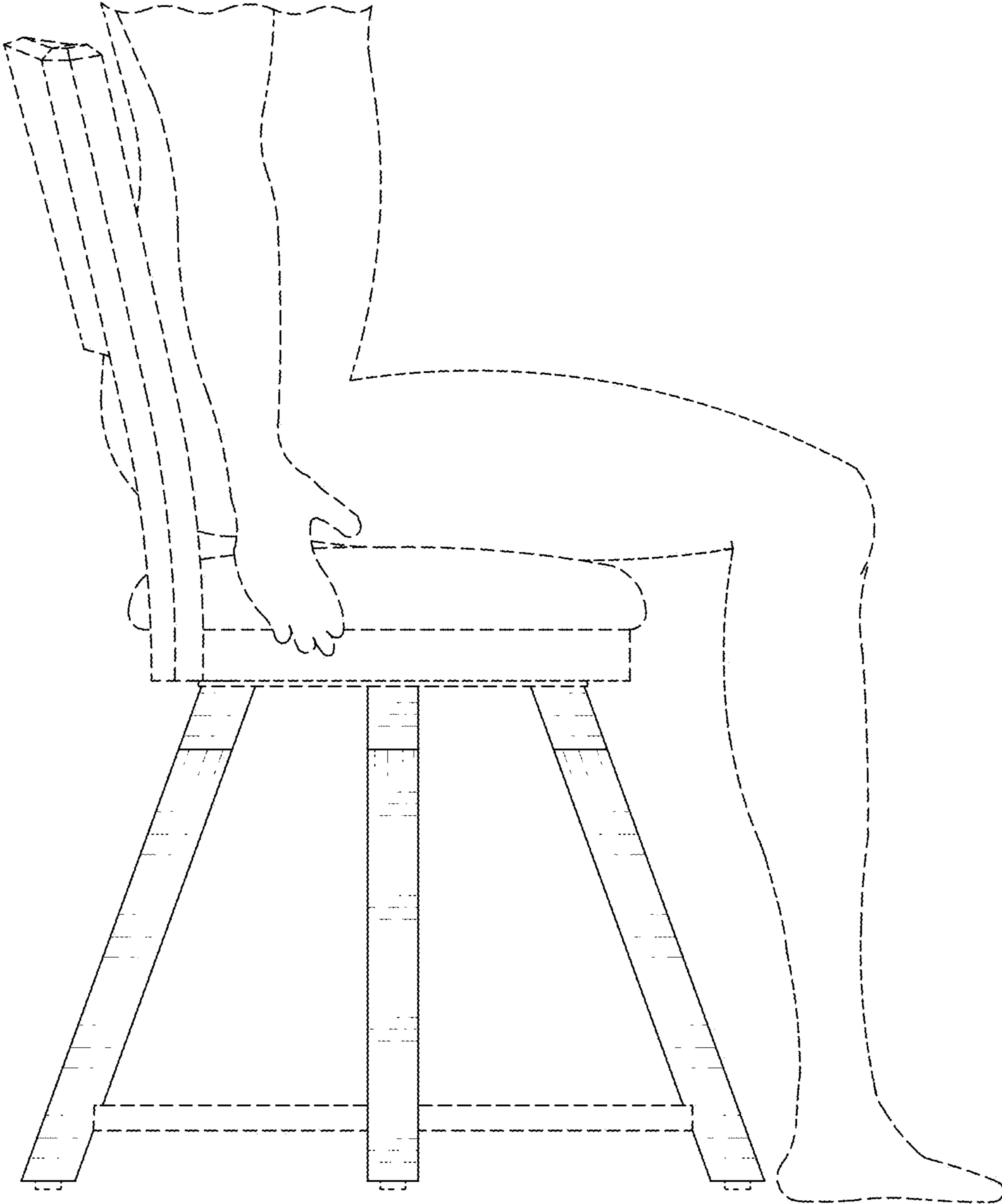


FIG. 9