



US00D922811S

(12) **United States Design Patent**
Gfesser et al.

(10) **Patent No.:** **US D922,811 S**
(45) **Date of Patent:** **** Jun. 22, 2021**

(54) **COUNTER STOOL BASE HAVING WOOD LEGS**

(71) Applicant: **Trendler, Inc.**, Chicago, IL (US)

(72) Inventors: **Martin F. Gfesser**, Glen Ellyn, IL (US); **Stefan A. Gfesser**, Schaumburg, IL (US)

(73) Assignee: **Trendler, Inc.**, Chicago, IL (US)

(**) Term: **15 Years**

(21) Appl. No.: **29/745,689**

(22) Filed: **Aug. 7, 2020**

Related U.S. Application Data

(63) Continuation of application No. 29/645,650, filed on Apr. 27, 2018, now Pat. No. Des. 894,624.

(51) **LOC (13) Cl.** **06-01**

(52) **U.S. Cl.**
USPC **D6/708**

(58) **Field of Classification Search**

USPC D6/334, 341, 349, 350, 352, 353, 360, D6/364, 369, 370, 373, 374, 375, 380,

(Continued)

(56) **References Cited**

U.S. PATENT DOCUMENTS

72,635 A * 12/1867 Heywood A47C 7/004
248/188.7

275,384 A 4/1883 Howe
(Continued)

OTHER PUBLICATIONS

“Flash Furniture HERCULES Series Black Ladder Back Swivel Metal Barstool—Black Vinyl Seat” Jul. 10, 2013, amazon.com, site visited Sep. 24, 2020 <<https://www.amazon.com/Flash-Furniture->

HERCULES-Ladder-Barstool/dp/B00BLSEH6I/ref=cm_cr_arp_d_product_top?ie=UTF8> (Year: 2013).*

(Continued)

Primary Examiner — Kevin K Rudzinski

Assistant Examiner — Paul D Bohannon

(74) *Attorney, Agent, or Firm* — Erickson Law Group, PC

(57) **CLAIM**

The ornamental design for a counter stool base having wood legs, as shown and described.

DESCRIPTION

FIG. 1 is a perspective view of a counter stool base having wood legs of the invention, where the wood legs extend below top caps.

FIG. 2 is a front side view of the counter stool base of FIG. 1.

FIG. 3 is a back side view of the counter stool base of FIG. 1.

FIG. 4 is a left side view of the counter stool base of FIG. 1.

FIG. 5 is a right side view of the counter stool base of FIG. 1.

FIG. 6 is a top view of the counter stool base of FIG. 1.

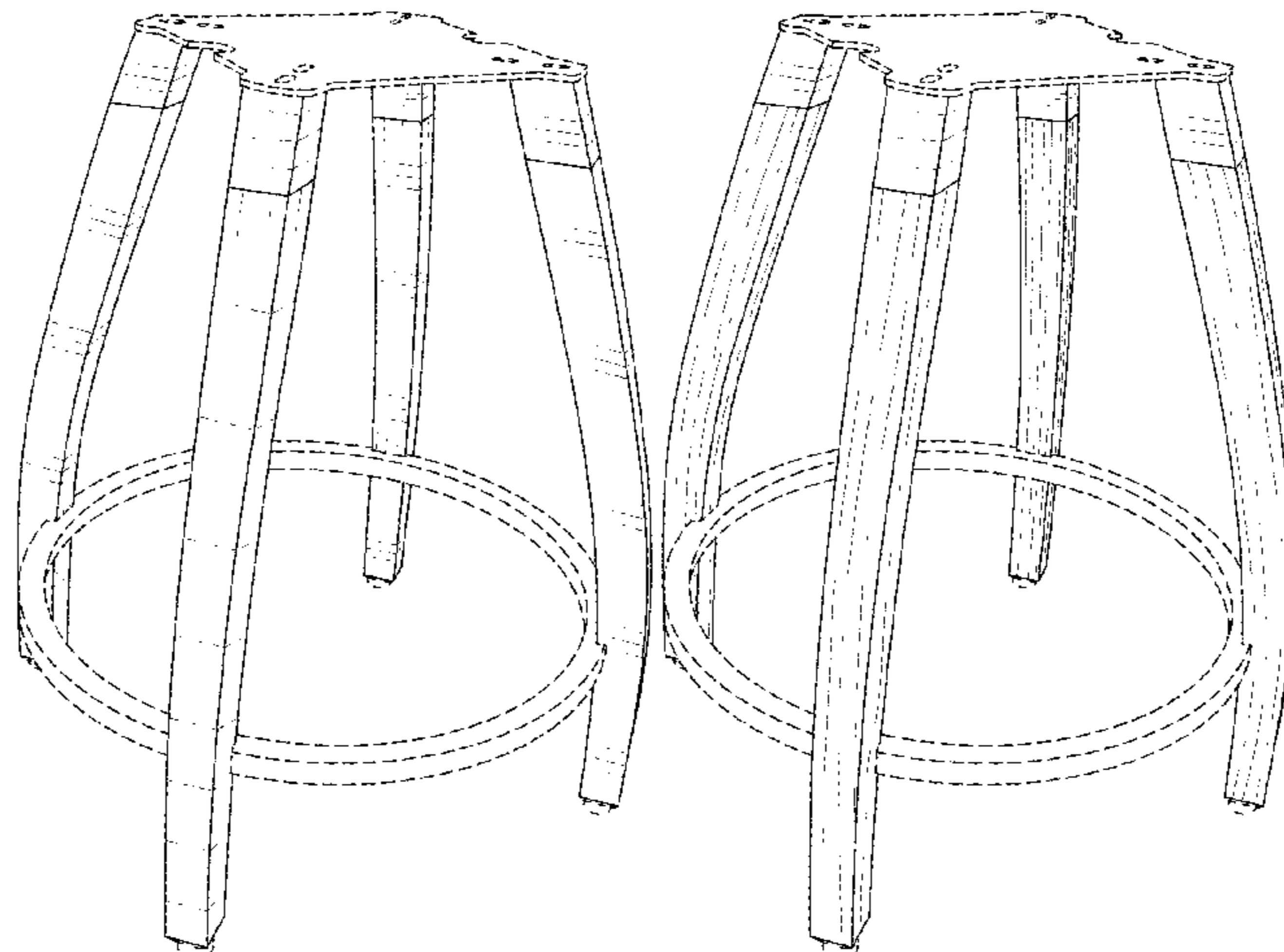
FIG. 7 is a bottom view of the counter stool base of FIG. 1.

FIG. 8 is a perspective view of a second embodiment counter stool base having wood legs, where wood line shading of the legs is shown to identify the wood legs extending below the top caps. The front, back, left, right, top, and bottom views of the second embodiment are identical to those shown in FIGS. 2 through 7 except with the wood appearance of the legs shown with wood line shading as shown in FIG. 8 applied; and,

FIG. 9 is a right side view of the counter stool base of FIG. 1, a seat shown in broken lines, and a human person shown sitting on the seat.

The broken lines of the counter stool base of FIGS. 1 through 9 are for the purpose of illustrating unclaimed portions of the counter stool base and form no part of the

(Continued)



claimed design. The portions of the human person and the seat in FIG. 9 are not part of the claimed design.

1 Claim, 9 Drawing Sheets

(58) Field of Classification Search

USPC ... D6/677, 692, 700, 708, 708.16, 716, 351, D6/379, 597
 CPC A47C 3/34; A47C 7/506; A47C 9/007;
 A47C 13/023; A47C 4/028; A47C 4/02;
 A47C 7/004; A47D 1/00
 See application file for complete search history.

(56) References Cited

U.S. PATENT DOCUMENTS

300,921	A	6/1884	Walter	
1,678,006	A *	7/1928	Headley	A47C 1/026 297/363
2,531,259	A *	11/1950	Cudini	A47C 4/18 108/133
2,774,643	A *	12/1956	Gladson	A47B 3/0912 108/131
D232,880	S *	9/1974	Samhammer	D6/352
D294,434	S *	3/1988	Zakharov	D6/360
D313,514	S *	1/1991	Zakharov	D6/360
D410,355	S *	6/1999	Quinn	D6/351
D427,812	S	7/2000	Donnelly	
D447,365	S	9/2001	Chi	
D451,711	S	12/2001	O'Hare	
D467,742	S *	12/2002	de Blois	D6/349
D468,919	S *	1/2003	Juneau	D6/360
D481,213	S *	10/2003	Chalmers	D6/360
D481,214	S *	10/2003	Chalmers	D6/360
D481,875	S *	11/2003	Darafeev	D6/360
D481,877	S *	11/2003	Darafeev	D6/360
D482,539	S *	11/2003	Darafeev	D6/360
6,749,265	B1	6/2004	Wang	
D498,937	S *	11/2004	Messier	D6/369
D502,611	S *	3/2005	Williams	D6/360
D528,312	S *	9/2006	Tseng	D6/360
D528,313	S *	9/2006	Chen	D6/360
D530,944	S	10/2006	Samuel	
D535,828	S *	1/2007	Gasca Burges	D6/349
D577,215	S *	9/2008	Kreiss	D6/374
D579,676	S	11/2008	Rheault	

D579,677	S *	11/2008	Zhou	D6/349
D581,686	S *	12/2008	Miller	D6/360
D637,416	S *	5/2011	Kelemer	D6/368
D647,335	S *	10/2011	Delmestri	D6/716.3
D651,006	S *	12/2011	Jordan	D6/360
D651,007	S *	12/2011	Ciani	D6/360
D660,028	S *	5/2012	Rode	D6/360
D706,545	S *	6/2014	Muller	D6/360
D713,157	S	9/2014	Carrier	
D719,749	S	12/2014	Hernandez	
9,254,041	B2	2/2016	Kessler	
D778,654	S	2/2017	Gfesser	
D800,465	S *	10/2017	Ono	D6/360
D800,466	S *	10/2017	Ono	D6/360
D819,990	S *	6/2018	Ono	D6/352
D820,611	S *	6/2018	Ono	D6/352
10,005,378	B2 *	6/2018	Lorey	F16F 15/022
D836,352	S *	12/2018	Gelman	D6/349
D859,021	S *	9/2019	Novak	D6/369
D889,861	S *	7/2020	Vega	D6/352
D891,796	S *	8/2020	Li	D6/349
D891,797	S *	8/2020	Li	D6/352
D893,903	S *	8/2020	Gfesser	D6/360
D893,904	S *	8/2020	Gfesser	D6/360
D894,624	S *	9/2020	Gfesser	D6/360
2008/0001462	A1	1/2008	Holland	
2011/0316313	A1	12/2011	Gasser	
2016/0281908	A1 *	9/2016	Mackenzie	F16M 11/08
2016/0374879	A1 *	12/2016	Christian	A61G 5/125 297/313
2017/0071348	A1 *	3/2017	Haimoff	A47C 7/027
2017/0114813	A1 *	4/2017	Brown	A47C 3/00
2017/0231391	A1 *	8/2017	Desanta	A47C 1/03294 297/297
2017/0258244	A1 *	9/2017	Waldman	A47D 1/02
2018/0311888	A1 *	11/2018	Winter	B21D 17/04

OTHER PUBLICATIONS

“Bar Stools: 5 Ways To Hang Out With Them” Oct. 28, 2016, grandinroad.com, site visited Sep. 22, 2020 <<https://www.grandinroad.com/blog/decorate/bar-stools-5-ways-to-hang-out-with-them/>> (Year: 2016).*

IDS Exhibit 1: a photo of admitted prior art bar stool having completely metal legs.

IDS Exhibit 2: a photo of admitted prior art counter stool having completely metal legs.

* cited by examiner

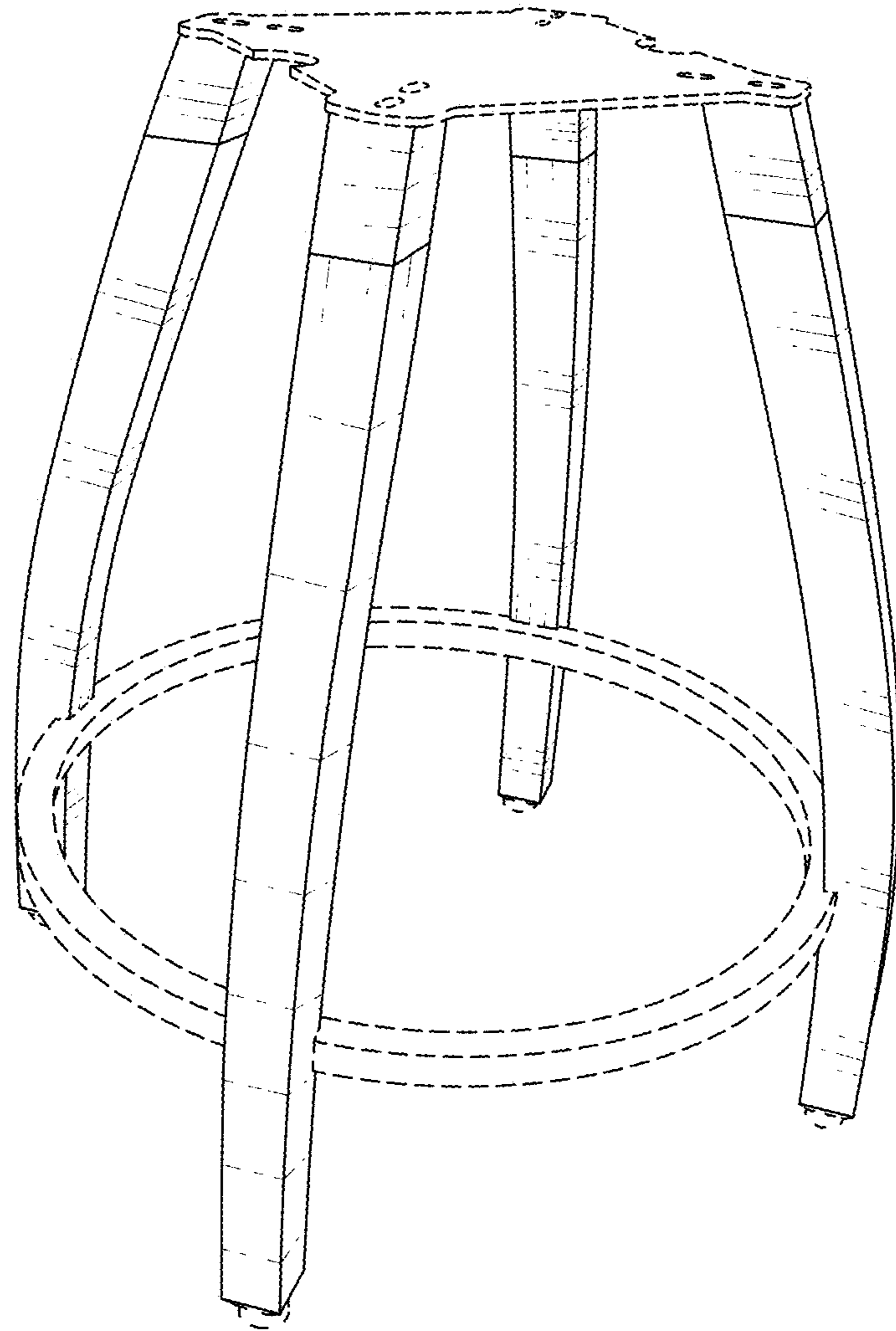


FIG. 1

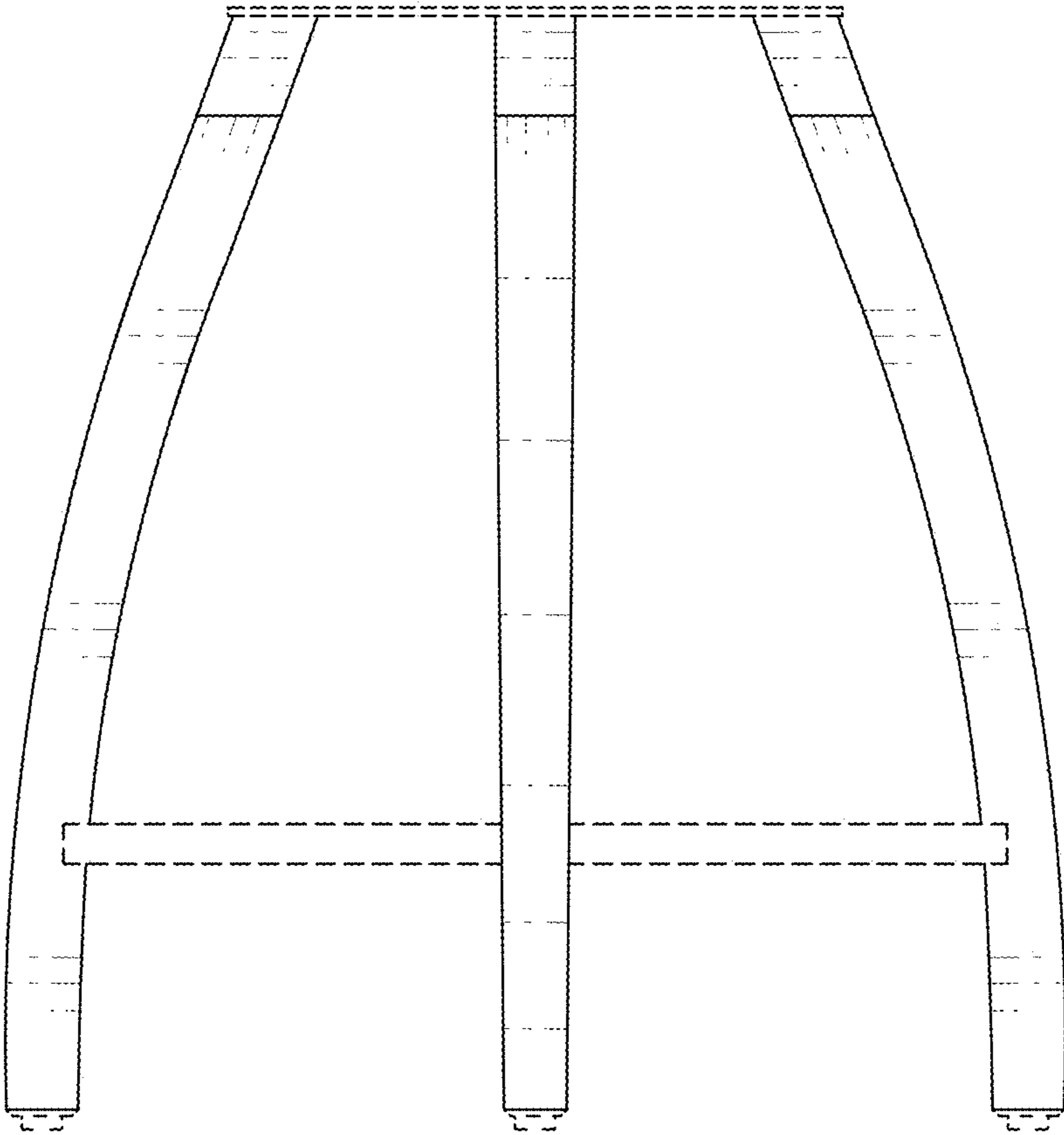


FIG. 2

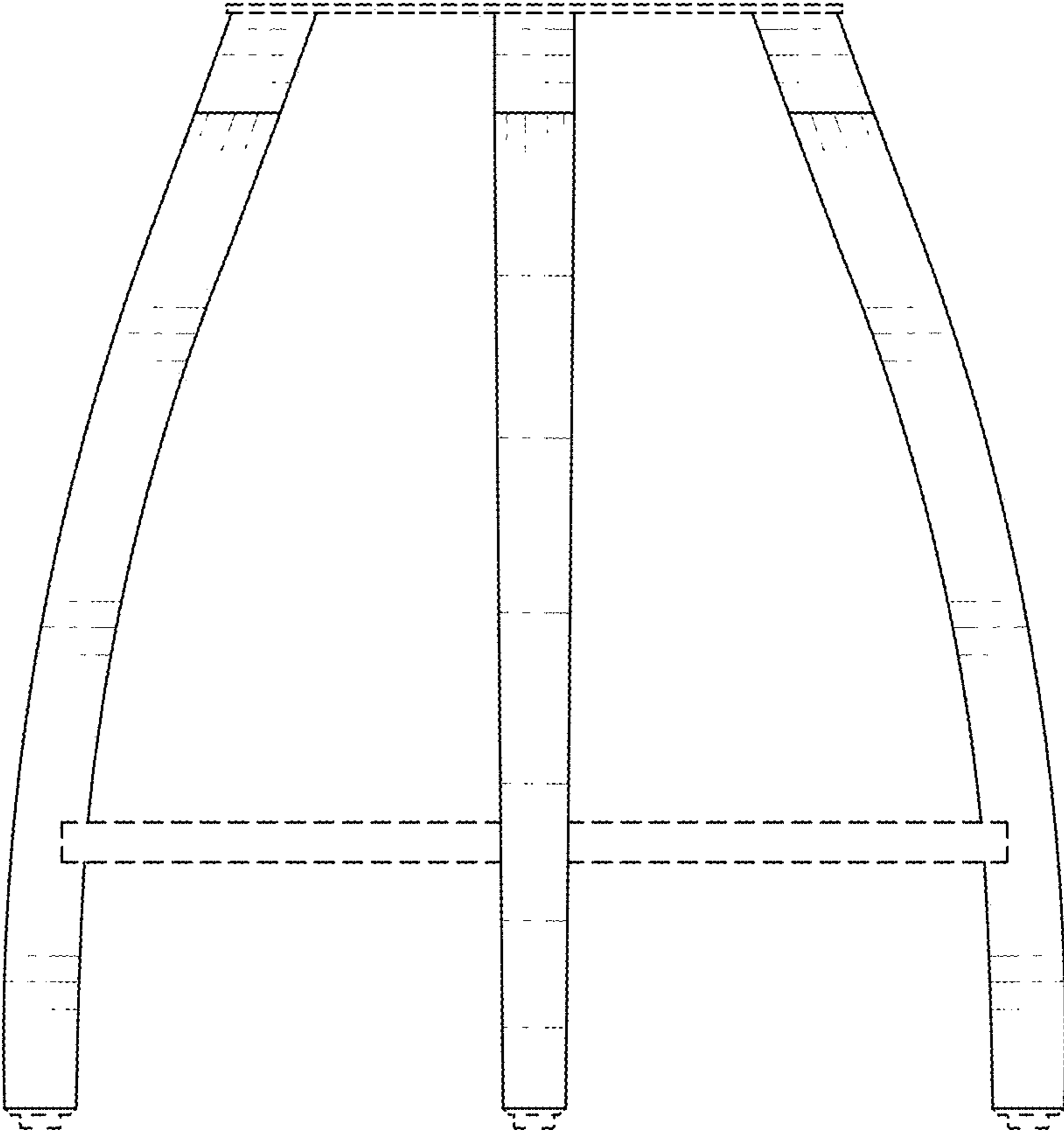


FIG. 3

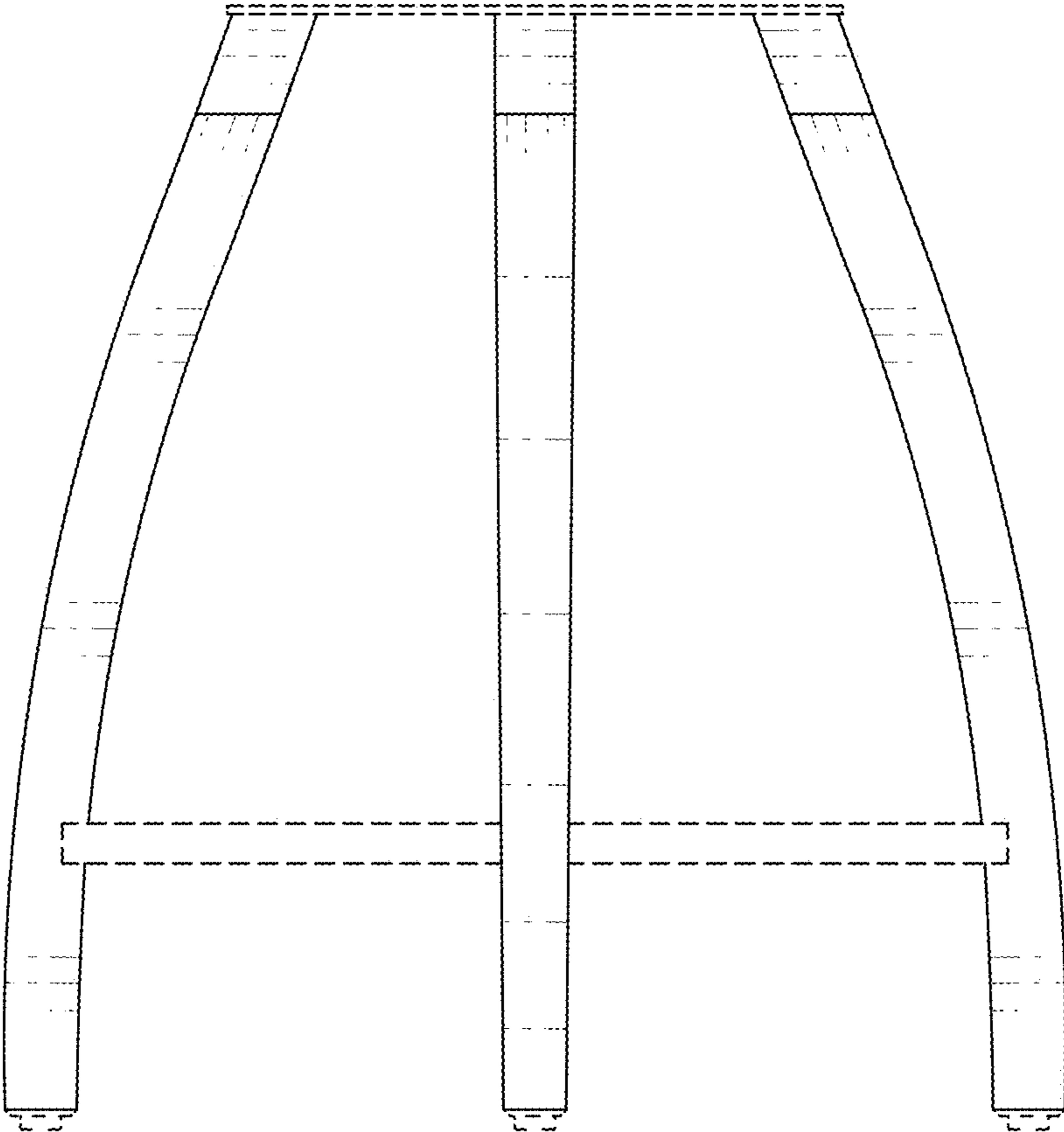


FIG. 4

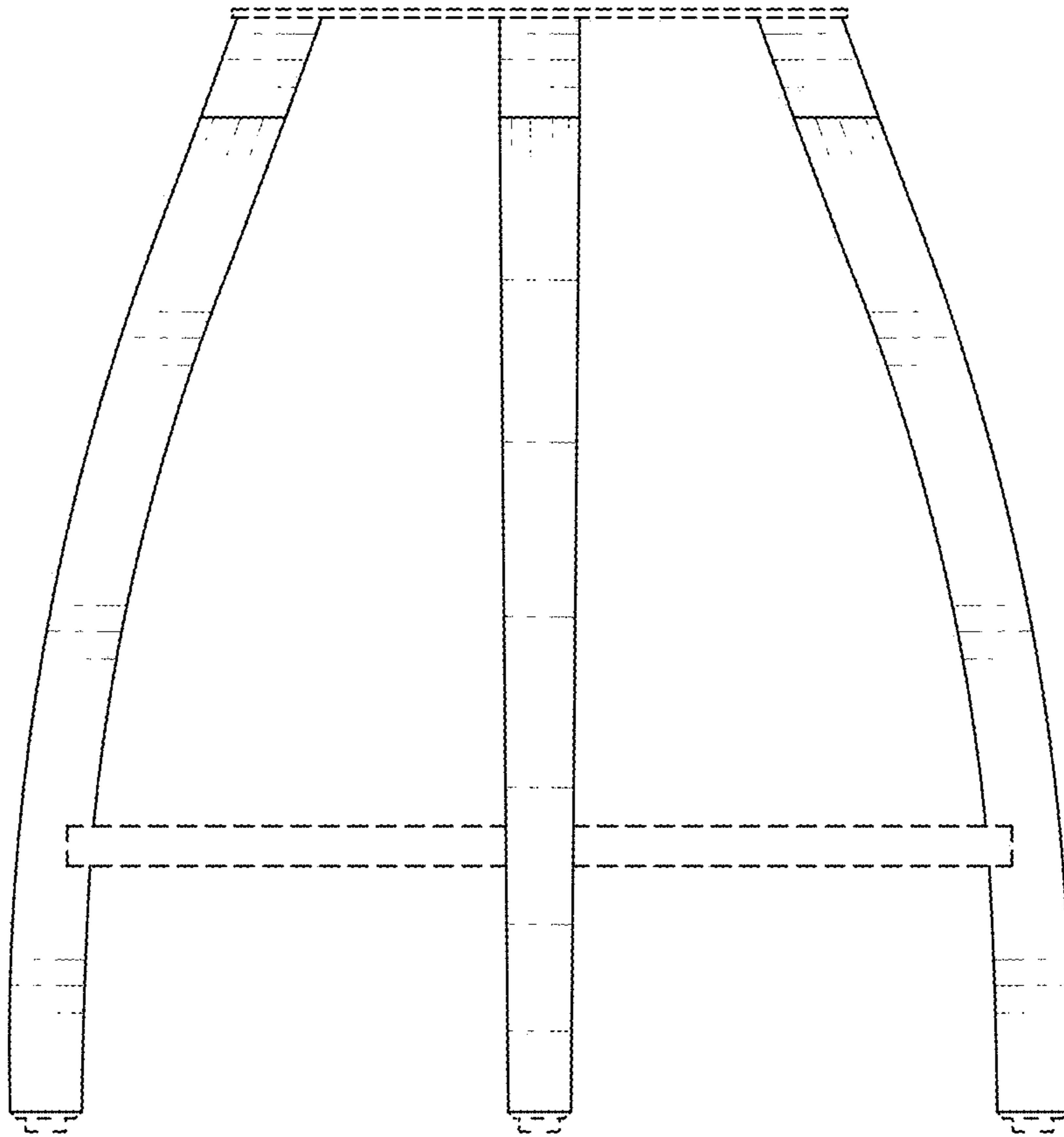


FIG. 5

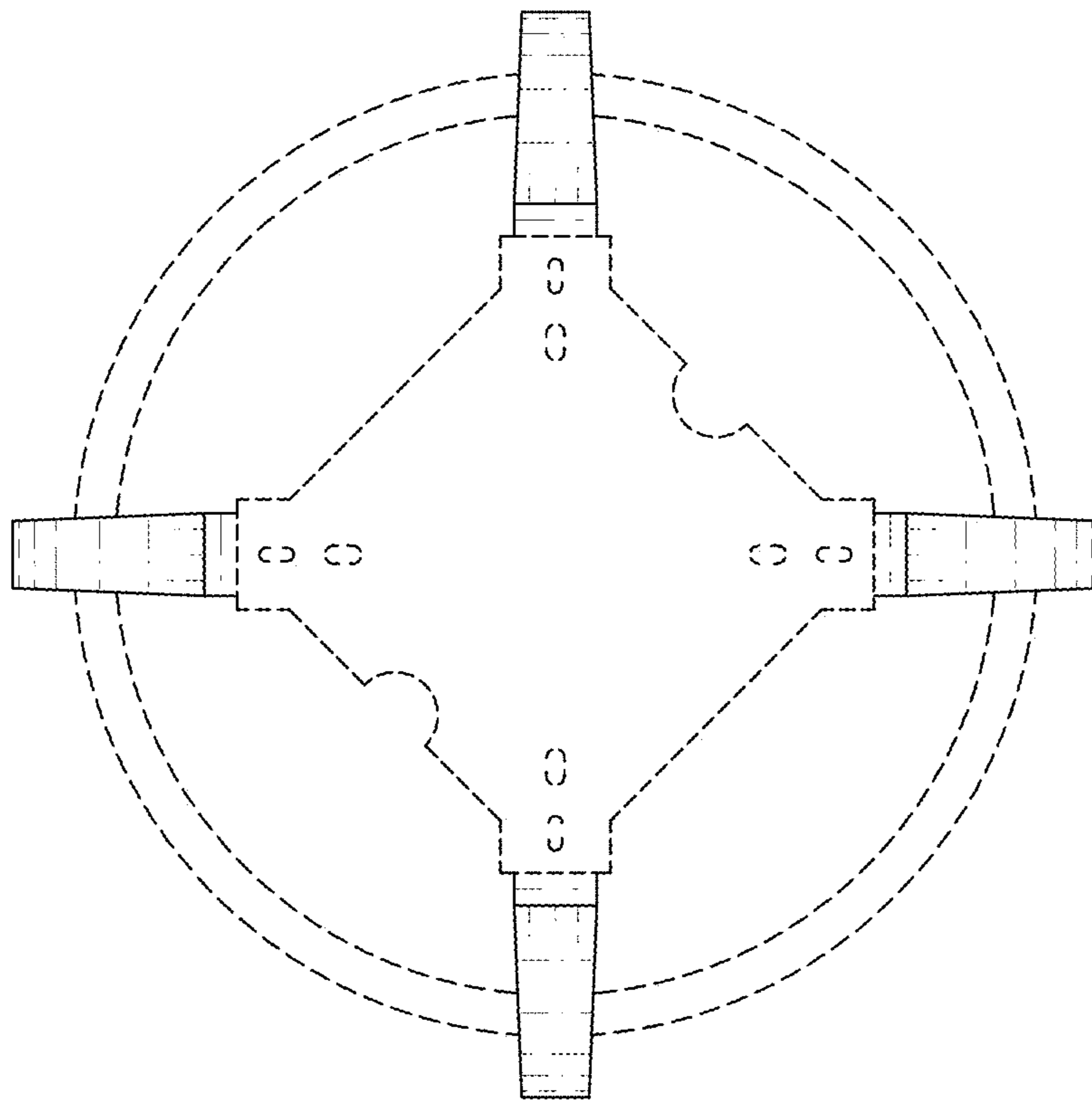


FIG. 6

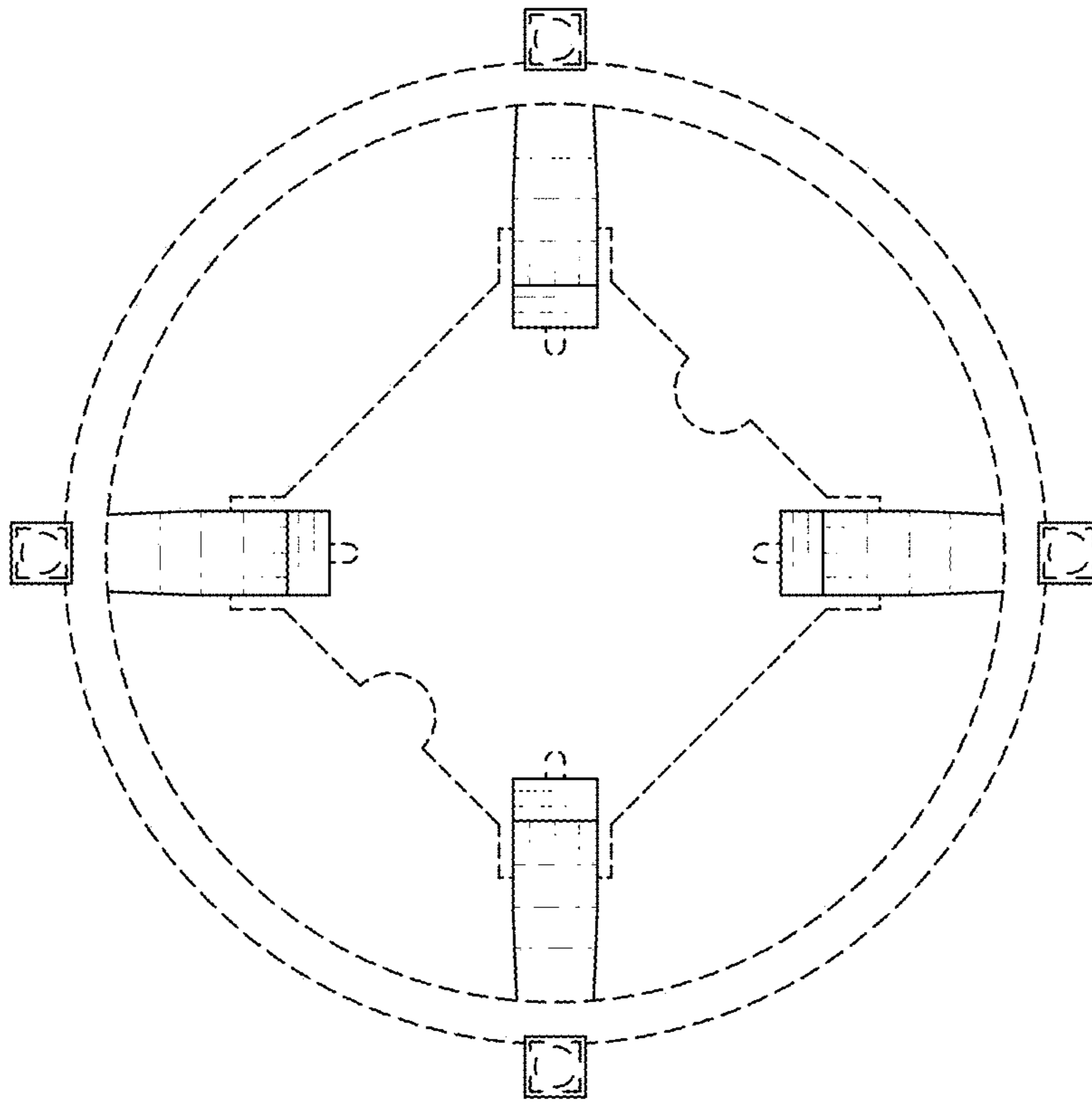


FIG. 7

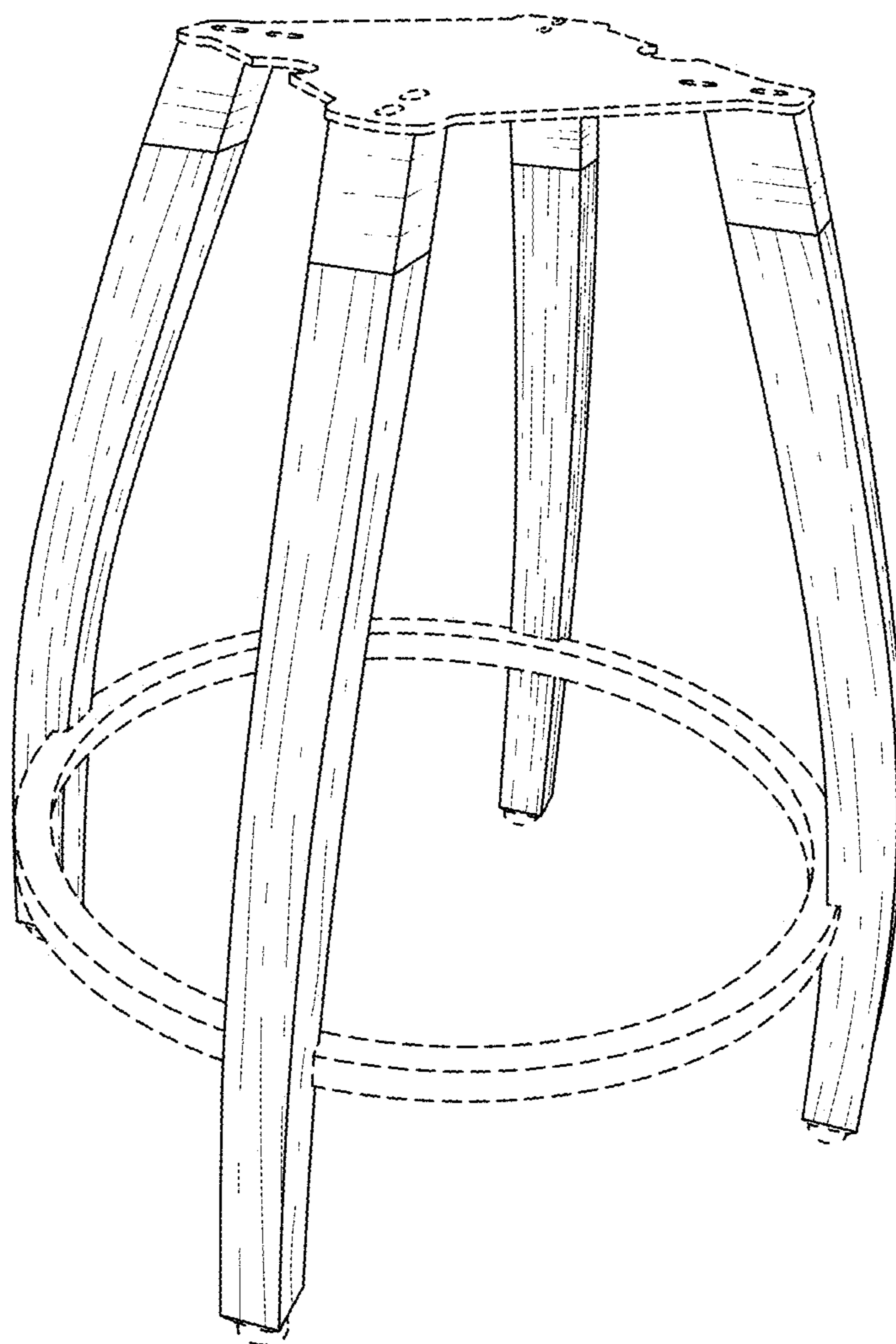


FIG. 8

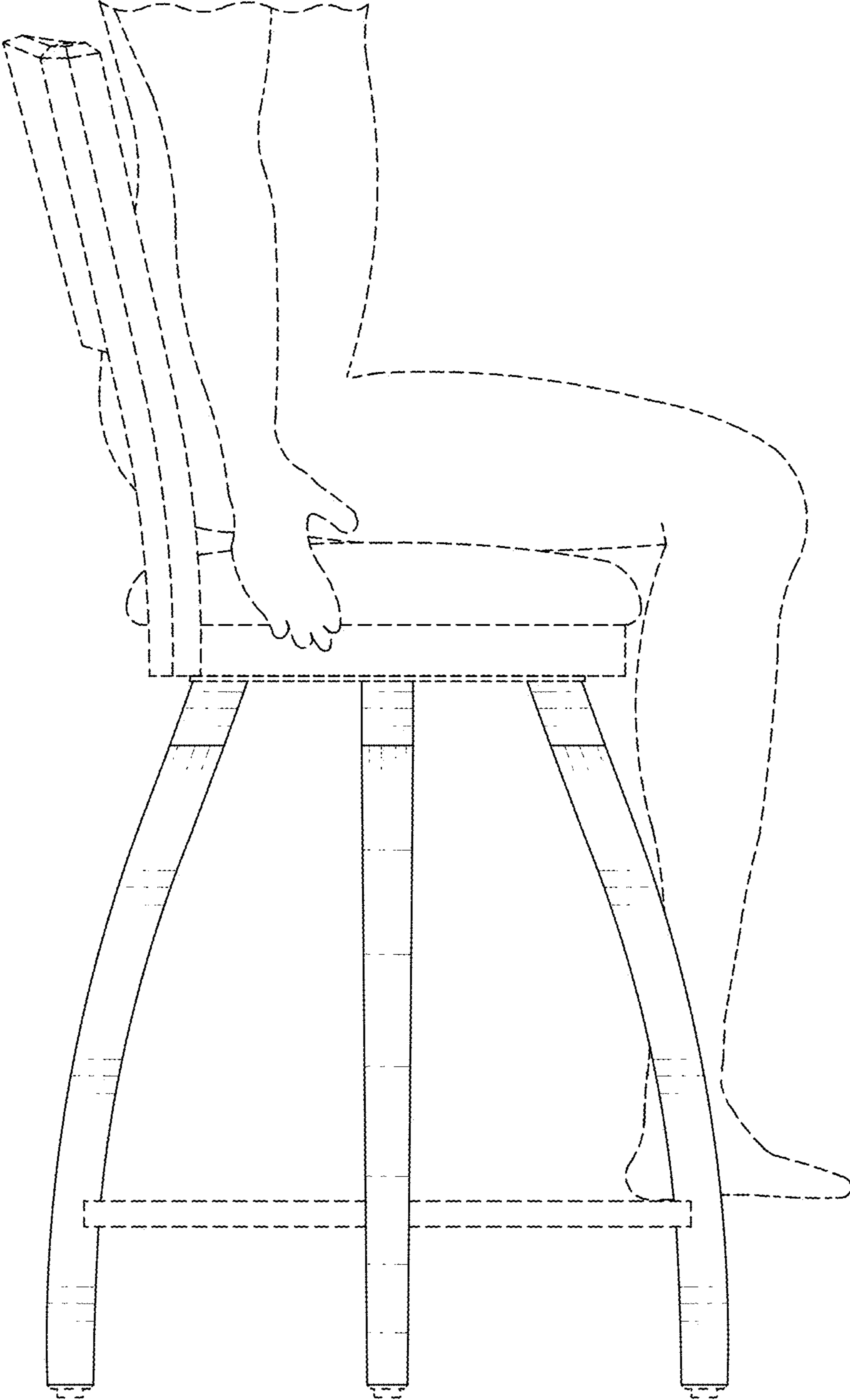


FIG. 9