

US00D922810S

(12) **United States Design Patent**
Belokin

(10) **Patent No.:** **US D922,810 S**

(45) **Date of Patent:** **** Jun. 22, 2021**

- (54) **MODULAR DISPLAY SHELF**
- (71) Applicant: **Displays by Martin Paul, Inc.—Creative Center**, Denton, TX (US)
- (72) Inventor: **Martin Belokin**, Denton, TX (US)
- (**) Term: **15 Years**
- (21) Appl. No.: **29/725,158**
- (22) Filed: **Feb. 21, 2020**
- (51) **LOC (13) Cl.** **06-06**
- (52) **U.S. Cl.**
USPC **D6/678.1**
- (58) **Field of Classification Search**
USPC D6/672, 672.1, 675, 675.1, 675.3, 678, D6/678.1, 678.2
CPC A47F 5/0018; A47F 5/0043; A47F 5/08; A47F 5/10; A47B 43/00; A47B 47/00; A47B 47/0091; A47B 47/047; A47B 97/001; A47B 57/00; A47B 96/02
See application file for complete search history.

D600,943 S *	9/2009	Austin	D6/675
D656,730 S *	4/2012	Son	D3/305
D693,155 S *	11/2013	Wu	D6/672
D735,500 S *	8/2015	Wu	D6/675
D764,843 S *	8/2016	Peden	D6/675.3
D766,626 S *	9/2016	Peden	D6/675.3
D869,869 S *	12/2019	Ascalon	D6/349
D892,521 S *	8/2020	Lai	D6/675.3
2011/0084042 A1 *	4/2011	Ahlert	A47B 47/042 211/194
2012/0242200 A1 *	9/2012	Keragala	F16B 12/14 312/111
2021/0076816 A1 *	3/2021	DeShon	A47B 87/008

* cited by examiner

Primary Examiner — Kelley A Donnelly

(57) **CLAIM**

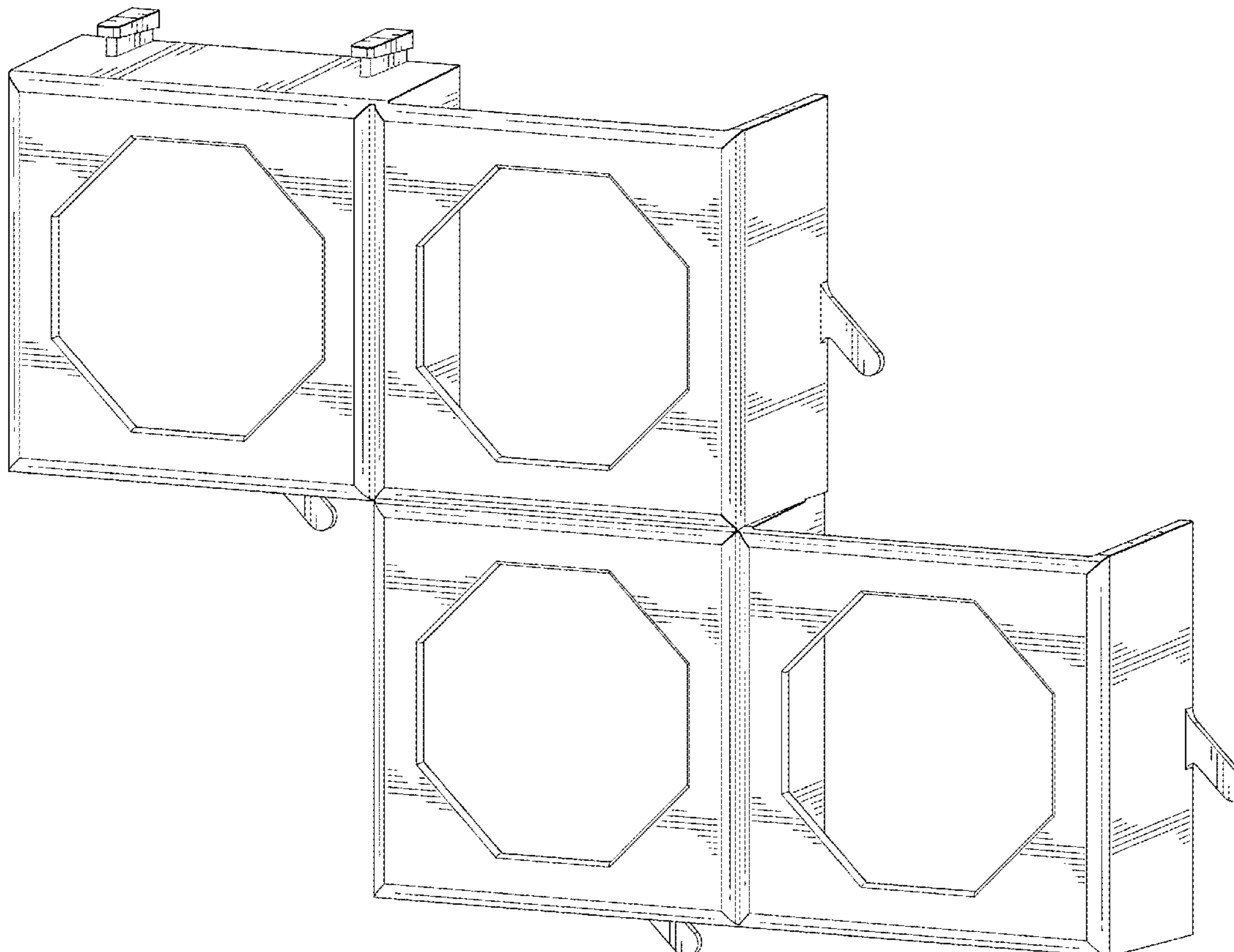
The ornamental design for the modular display shelf, as shown and described.

DESCRIPTION

FIG. 1 is a front perspective view of the design; FIG. 2 is a front view of the design of FIG. 1; FIG. 3 is a back view of the design of FIG. 1; FIG. 4 is a left side view of the design of FIG. 1; FIG. 5 is a right side view of the design of FIG. 1; FIG. 6 is a top view of the design of FIG. 1; FIG. 7 is a bottom view of the design of FIG. 1; and, FIG. 8 is a rear perspective view of the design of FIG. 1.

1 Claim, 6 Drawing Sheets

- (56) **References Cited**
U.S. PATENT DOCUMENTS
6,536,614 B2 * 3/2003 Hsia A47B 47/042
211/188
D518,665 S * 4/2006 Palmquist D6/675.1



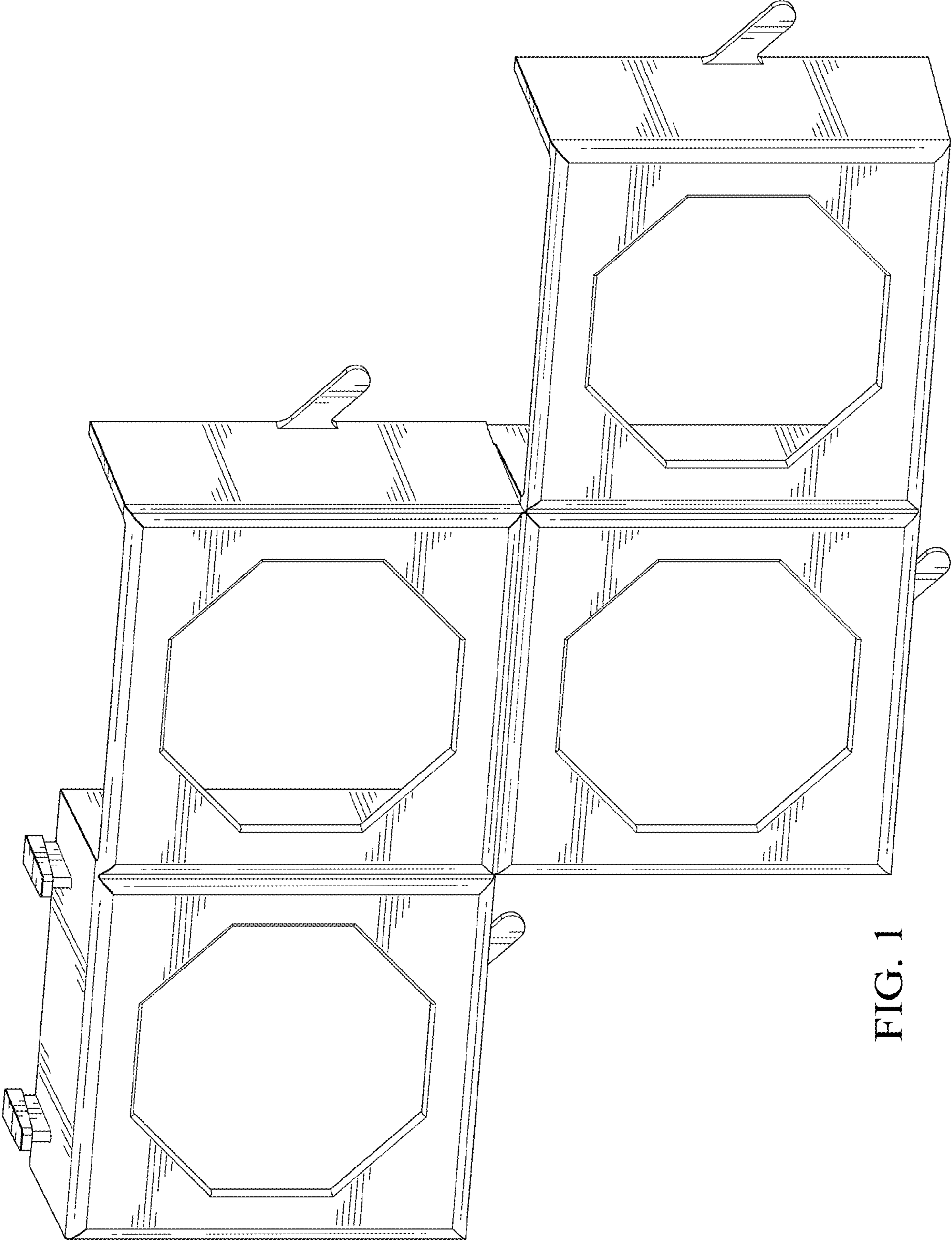


FIG. 1

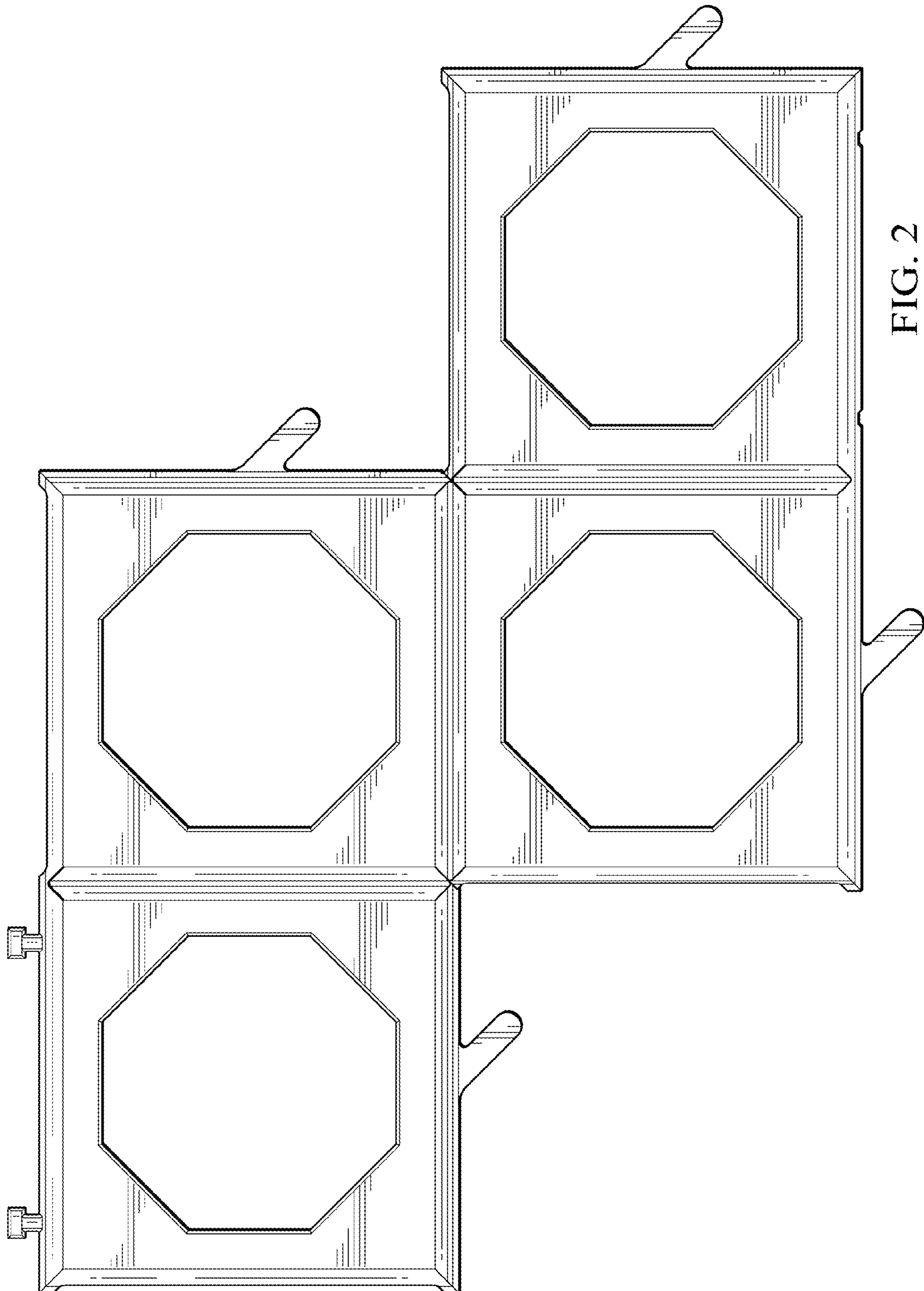


FIG. 2

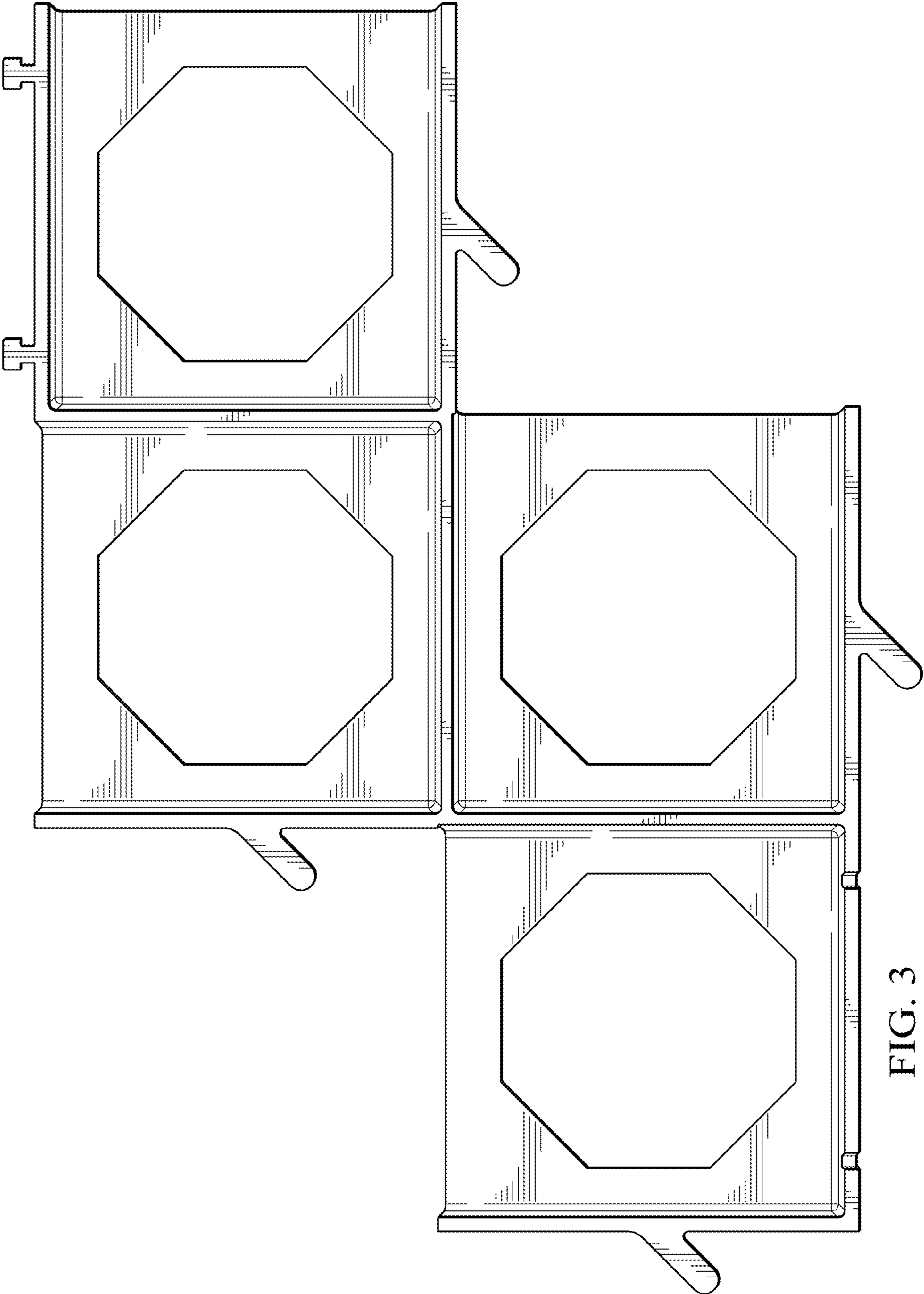


FIG. 3

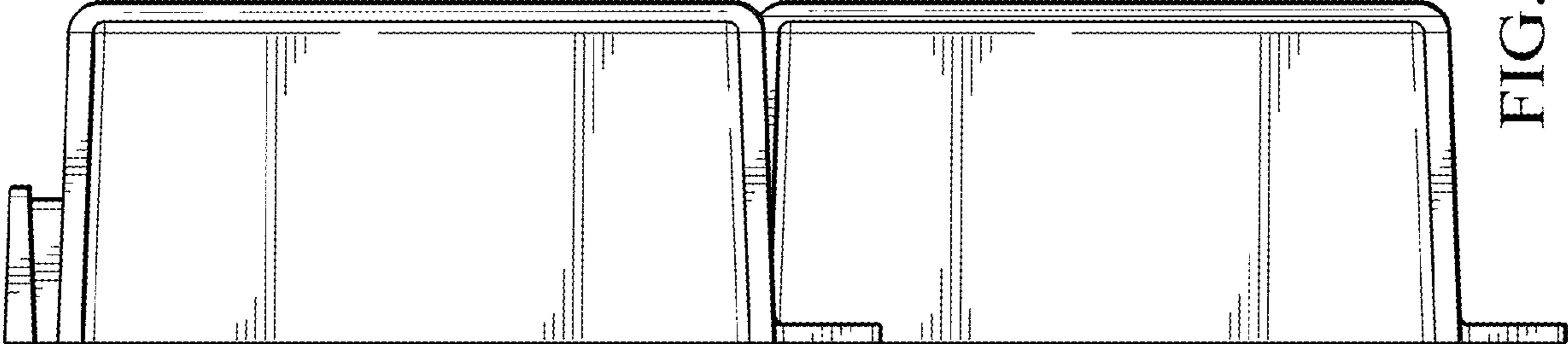


FIG. 5

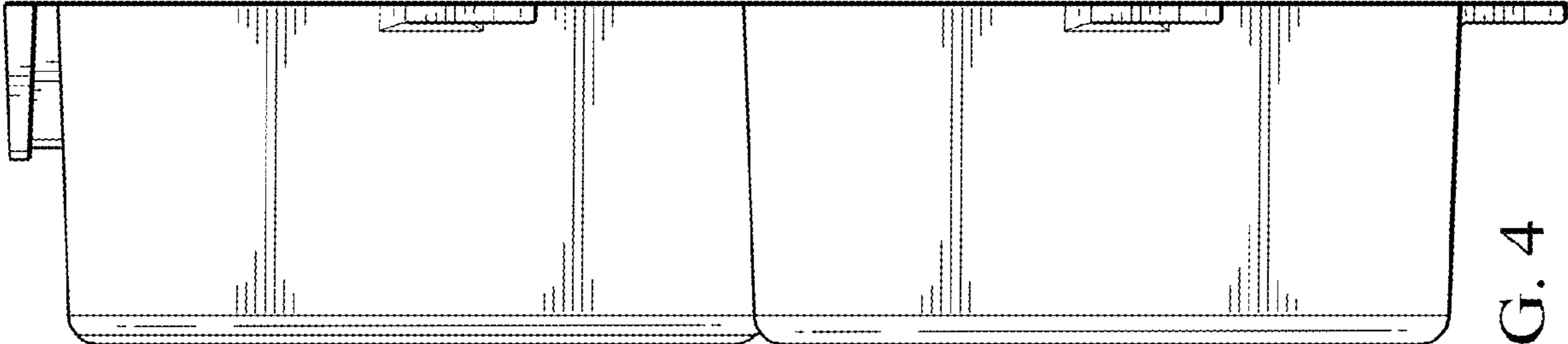


FIG. 4

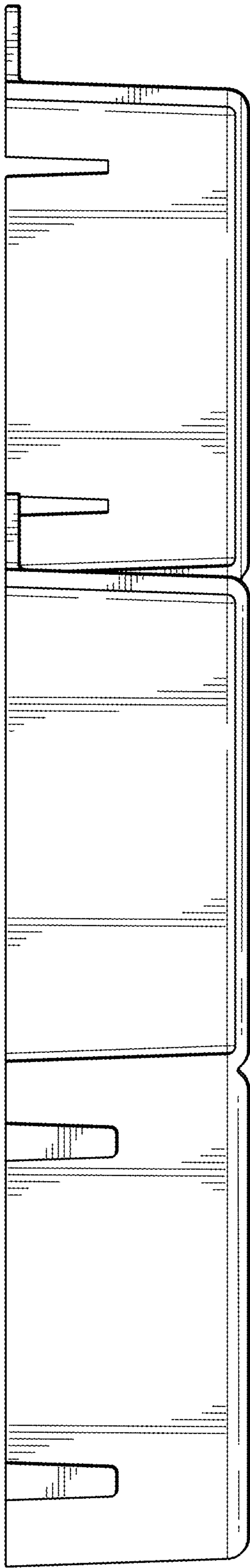


FIG. 6

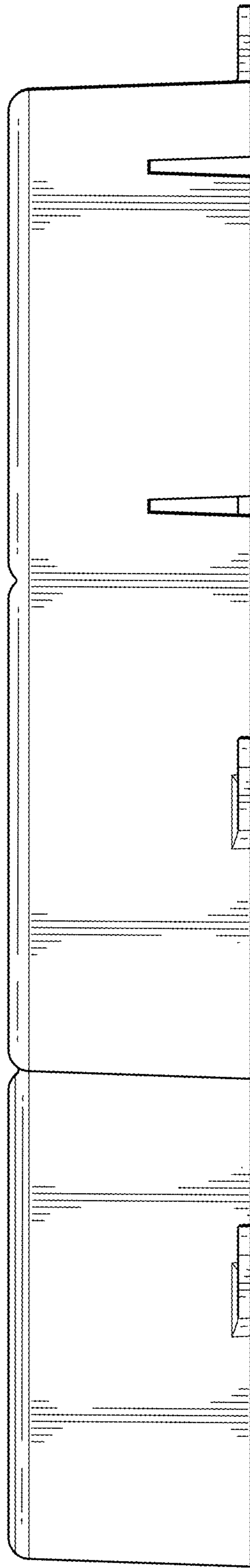


FIG. 7

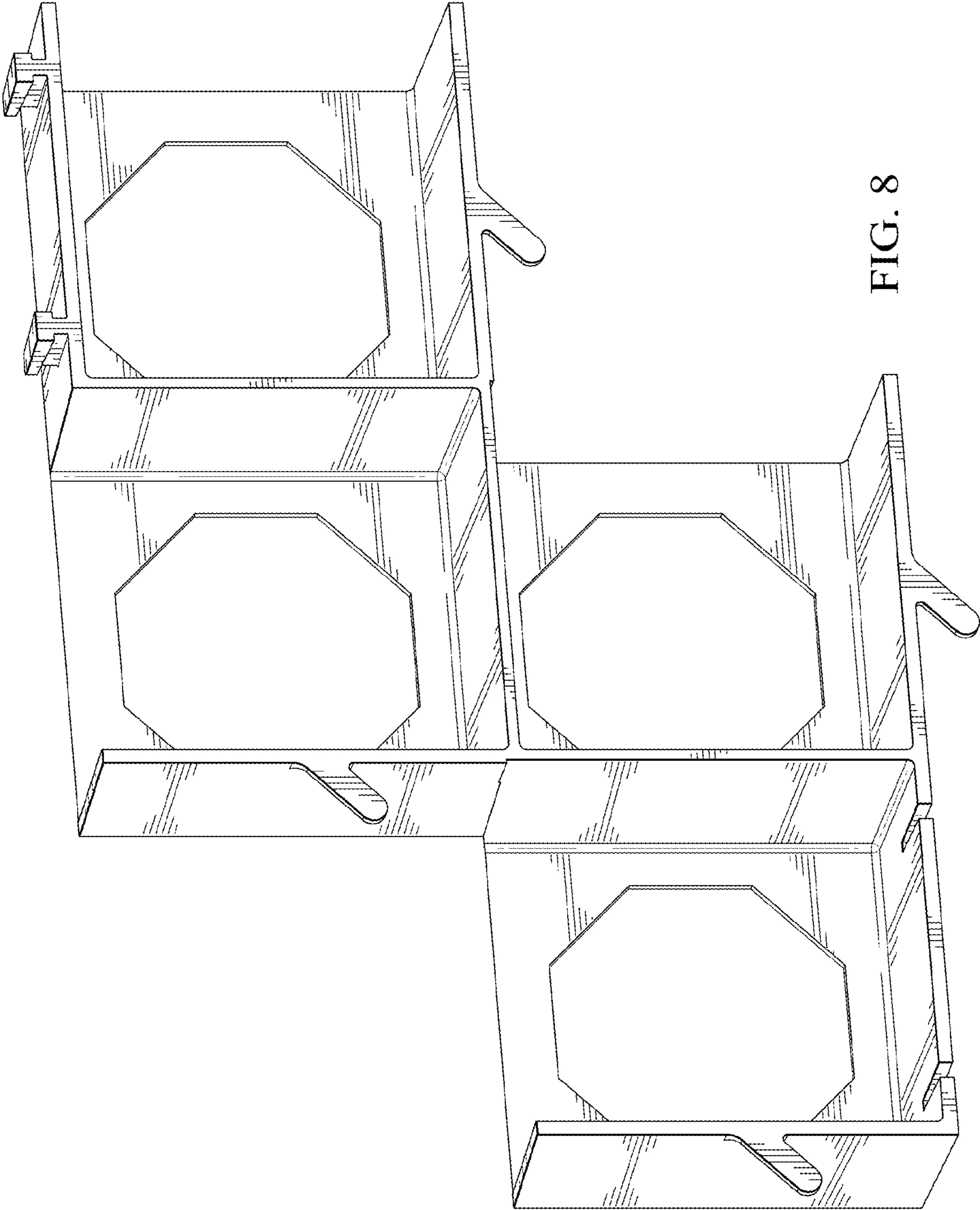


FIG. 8