



US00D922809S

(12) **United States Design Patent** (10) **Patent No.:** **US D922,809 S**
Parab et al. (45) **Date of Patent:** **** Jun. 22, 2021**

(54) **SHELF SUPPORT BEAM**

(71) Applicant: **Edsal Manufacturing Company, Inc.**,
Chicago, IL (US)

(72) Inventors: **Rohan Parab**, Chicago, IL (US); **Jeff Lamber**,
Minooka, IL (US); **Anthony J. Troyner**, Shorewood, IL (US);
Mitchell Liss, Northbrook, IL (US);
Mitchell E. Bianchin, Villa Park, IL (US)

(73) Assignee: **Edsal Manufacturing Company, LLC**,
Chicago, IL (US)

(**) Term: **15 Years**

(21) Appl. No.: **29/755,360**

(22) Filed: **Oct. 20, 2020**

Related U.S. Application Data

(62) Division of application No. 29/682,257, filed on Mar.
4, 2019.

(51) **LOC (13) Cl.** **20-02**

(52) **U.S. Cl.**
USPC **D6/675.5**

(58) **Field of Classification Search**
USPC D6/320, 512, 553, 555, 574, 641, 661,
D6/672, 673, 675, 675.1, 675.2, 675.5,
(Continued)

(56) **References Cited**

U.S. PATENT DOCUMENTS

3,278,043 A 10/1966 Kimpton
3,999,875 A 12/1976 Simon
(Continued)

FOREIGN PATENT DOCUMENTS

GB 952576 A 3/1964

OTHER PUBLICATIONS

Storage Rack Beam, www.globalindustrial.com <http://www.globalindustrial.com> [online]. Published on or before Aug. 1, 2020, [retrieved on Aug. 1, 2020]. Retrieved from the Internet: <URL:<https://www.globalindustrial.com/p/storage/bulk-rack/extra-heavy-duty/interlake-bulk-storage-rack-beam-zs-48-inch-I-for-metal-shelves>> (Year: 2020).

(Continued)

Primary Examiner — Christian P. Mclean

Assistant Examiner — Adam C Mager

(74) *Attorney, Agent, or Firm* — Wood Herron & Evans LLP

(57) **CLAIM**

The ornamental design for a shelf support beam, as shown and described.

DESCRIPTION

FIG. 1 is an isometric view of the shelf support beam according to a first embodiment of the present invention.

FIG. 2 is a front isometric view thereof according to the first embodiment.

FIG. 3 is another front isometric view thereof according to the first embodiment.

FIG. 4 is a rear isometric view thereof according to the first embodiment.

FIG. 5 is a front elevation view thereof according to the first embodiment.

FIG. 6 is a rear elevation view thereof according to the first embodiment.

FIG. 7 is a top plan view thereof according to the first embodiment.

FIG. 8 is a bottom plan view thereof according to the first embodiment.

FIG. 9 is a left side elevation view thereof according to the first embodiment.

FIG. 10 is a right side elevation view thereof according to the first embodiment.

FIG. 11 is a cross-section view of a portion of the view of FIG. 3 according to the first embodiment.

(Continued)

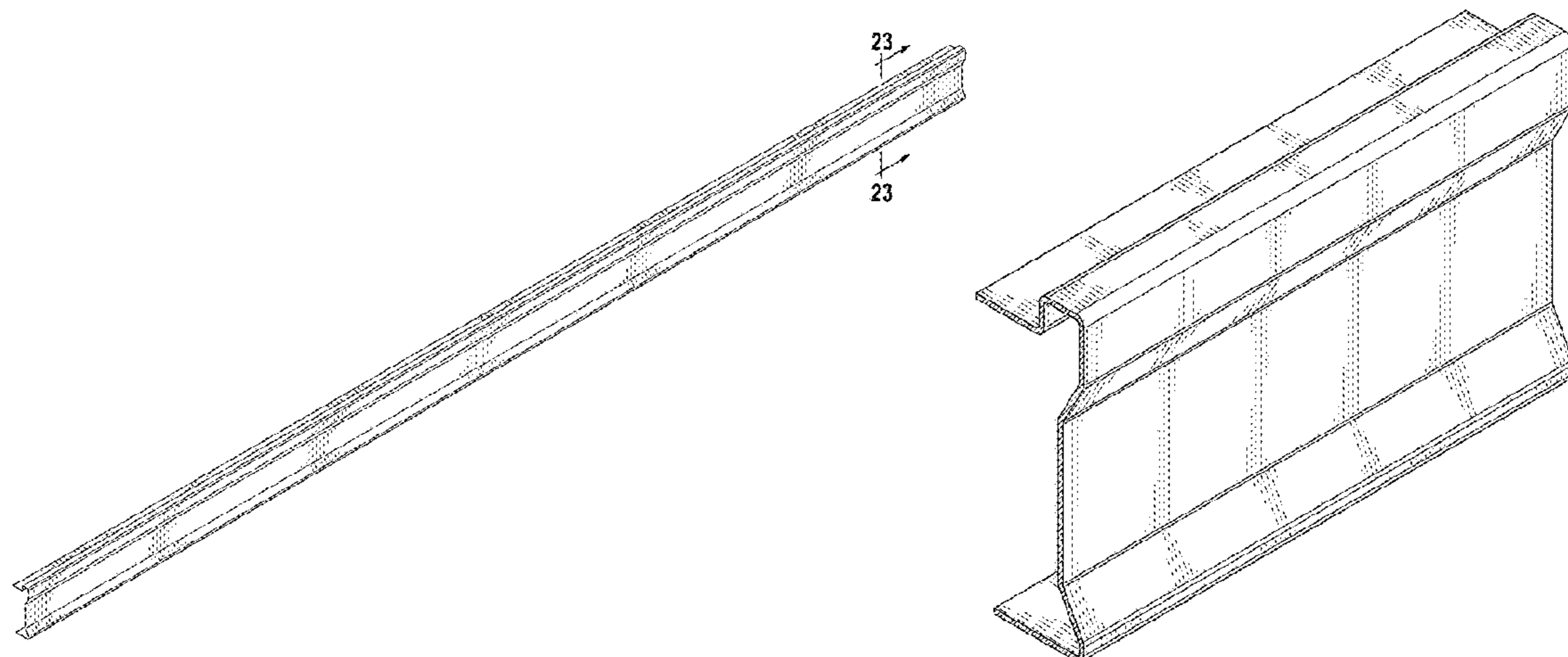


FIG. 12 is a rear isometric view of the view of FIG. 11 according to the first embodiment.

FIG. 13 is an isometric view of the shelf support beam according to a second embodiment of the present invention.

FIG. 14 is a front isometric view thereof according to the second embodiment.

FIG. 15 is another front isometric view thereof according to the second embodiment.

FIG. 16 is a rear isometric view thereof according to the second embodiment.

FIG. 17 is a front elevation view thereof according to the second embodiment.

FIG. 18 is a rear elevation view thereof according to the second embodiment.

FIG. 19 is a top plan view thereof according to the second embodiment.

FIG. 20 is a bottom plan view thereof according to the second embodiment.

FIG. 21 is a left side elevation view thereof according to the second embodiment.

FIG. 22 is a right side elevation view thereof according to the second embodiment.

FIG. 23 is a cross-section view of a portion of the view of FIG. 15 according to the second embodiment.

FIG. 24 is a rear isometric view of the view of FIG. 23 according to the second embodiment.

FIG. 25 is an isometric view of the shelf support beam according to a third embodiment of the present invention.

FIG. 26 is a front isometric view thereof according to the third embodiment.

FIG. 27 is another front isometric view thereof according to the third embodiment.

FIG. 28 is a rear isometric view thereof according to the third embodiment.

FIG. 29 is a front elevation view thereof according to the third embodiment.

FIG. 30 is a rear elevation view thereof according to the third embodiment.

FIG. 31 is a top plan view thereof according to the third embodiment.

FIG. 32 is a bottom plan view thereof according to the third embodiment.

FIG. 33 is a left side elevation view thereof according to the third embodiment.

FIG. 34 is a right side elevation view thereof according to the third embodiment.

FIG. 35 is a cross-section view of a portion of the view of FIG. 27 according to the third embodiment; and,

FIG. 36 is a rear isometric view of the view of FIG. 35 according to the third embodiment.

The broken dash lines in the figures are for illustrative purposes only and represent non-claimed environmental subject matter. Neither the portions of the invention shown in broken dash line nor the broken dash lines themselves form any part of the claimed invention.

The diagonal lines illustrated on the end of the enlarged portion of the shelf support beam in FIGS. 11, 23, and 35 represent a cross-section and do not form any part of the claimed design.

1 Claim, 24 Drawing Sheets

(58) **Field of Classification Search**

USPC D6/682, 682.1, 694, 685, 696, 697, 698, D6/700, 705, 705.4, 705.5, 705.6, 707.19, D6/719; D25/126; D12/223, 317, 400; D21/686; D8/349, 354, 373, 381

CPC . A47B 47/00; A47B 47/0041; A47B 47/0083; A47B 47/021; A47B 47/027; A47B 96/021; A47F 5/0043; A47F 5/08; A47F 5/0807; A47F 5/16; B63B 32/77; B63B 32/83; B21D 47/01; B25H 3/04; B60R 11/00

See application file for complete search history.

(56) **References Cited**

U.S. PATENT DOCUMENTS

4,233,912	A	11/1980	Ferdinand	
D438,448	S	3/2001	Batting et al.	
D570,208	S	6/2008	Senn	
D600,362	S	9/2009	Geffe	
7,591,385	B2	9/2009	Brooks	
D668,945	S	10/2012	Fernandez	
D732,863	S *	6/2015	Troyner	D6/705.5
D733,473	S	7/2015	Troyner et al.	
D737,613	S *	9/2015	Troyner	D6/705.5
D769,037	S	10/2016	Anderson	
D799,870	S *	10/2017	Liss	D6/705.6
D877,603	S	3/2020	Barker	
D886,920	S *	6/2020	Dunahay	D21/686
10,806,257	B1 *	10/2020	Liu	A47B 47/024
D906,740	S *	1/2021	Parab	D6/675.5
D907,946	S *	1/2021	Parab	D6/675.5
2005/0103734	A1	5/2005	Saltzberg et al.	
2006/0175274	A1	8/2006	Yang	
2017/0280875	A1 *	10/2017	Buckley	A47B 47/021
2018/0171634	A1 *	6/2018	Mitchell	B21D 47/01
2018/0279782	A1	10/2018	Liss et al.	
2018/0344031	A1 *	12/2018	Wang	A47B 96/1441
2019/0328134	A1 *	10/2019	Walker	A47B 57/482
2020/0359789	A1 *	11/2020	O'Halloran	A47B 47/027

OTHER PUBLICATIONS

Dahlstrom u-channel, www.dahlstromrollform.com <<http://www.dahlstromrollform.com>> [online]. Published on or before Sep. 24, 2020, [retrieved on Sep. 24, 2020]. Retrieved from the Internet: <URL:<<https://www.dahlstromrollform.com/wp-content/uploads/2019/05/u-channel.pdf>>> (Year: 2020).

European Patent Office, International Search Report and Written Opinion in PCT/US2020/029236, dated Jun. 9, 2020.

* cited by examiner

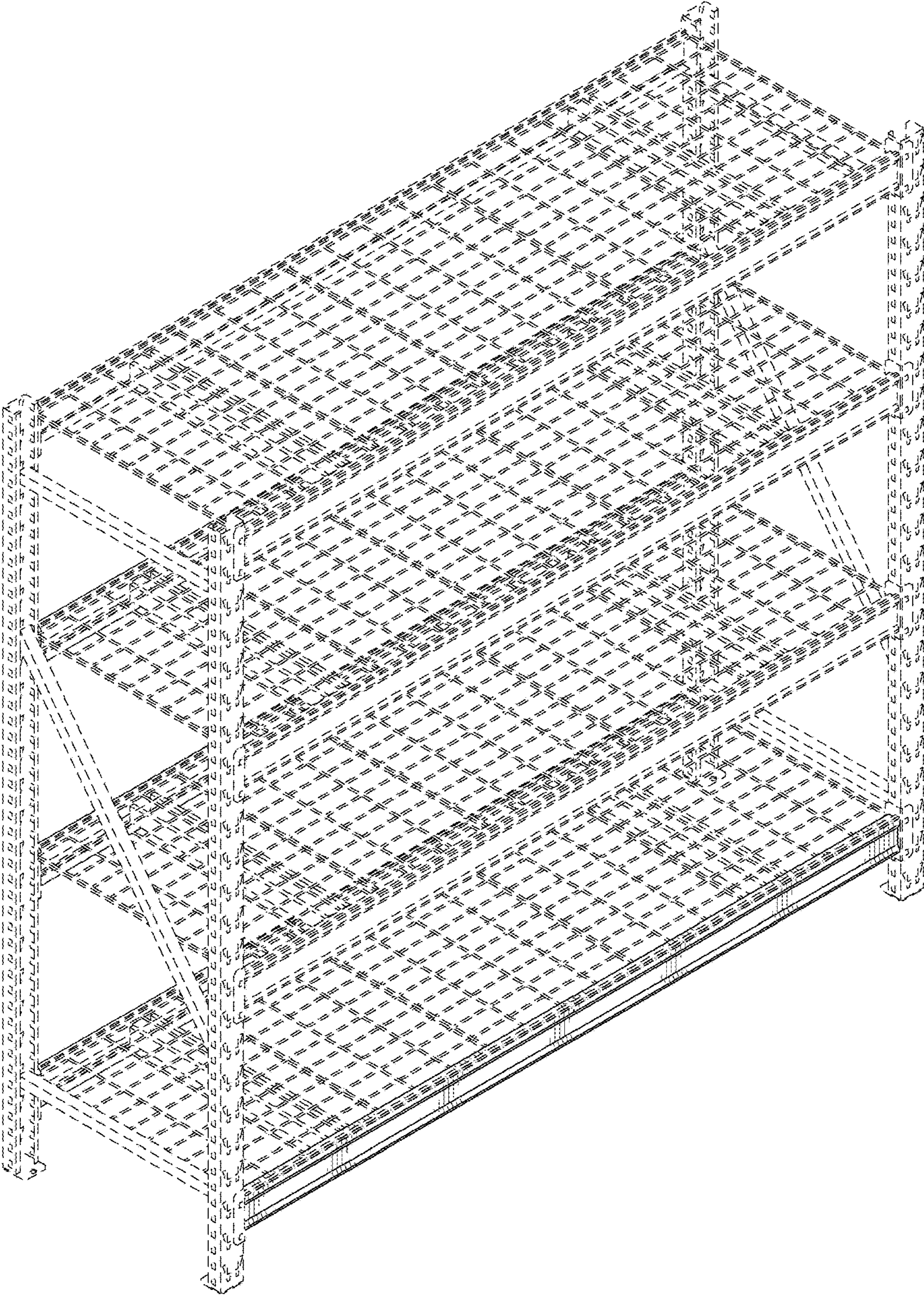


FIG. 1

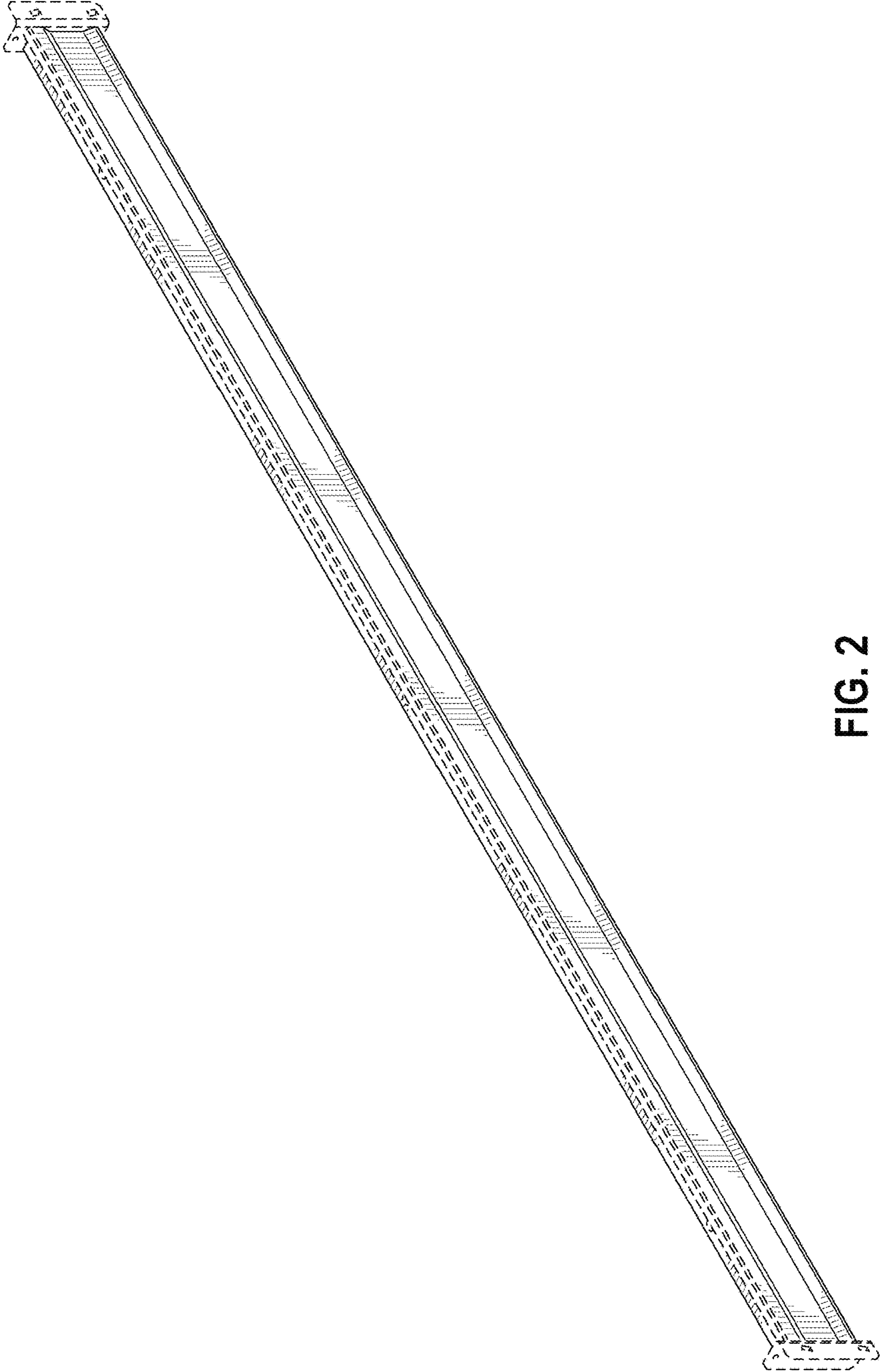


FIG. 2

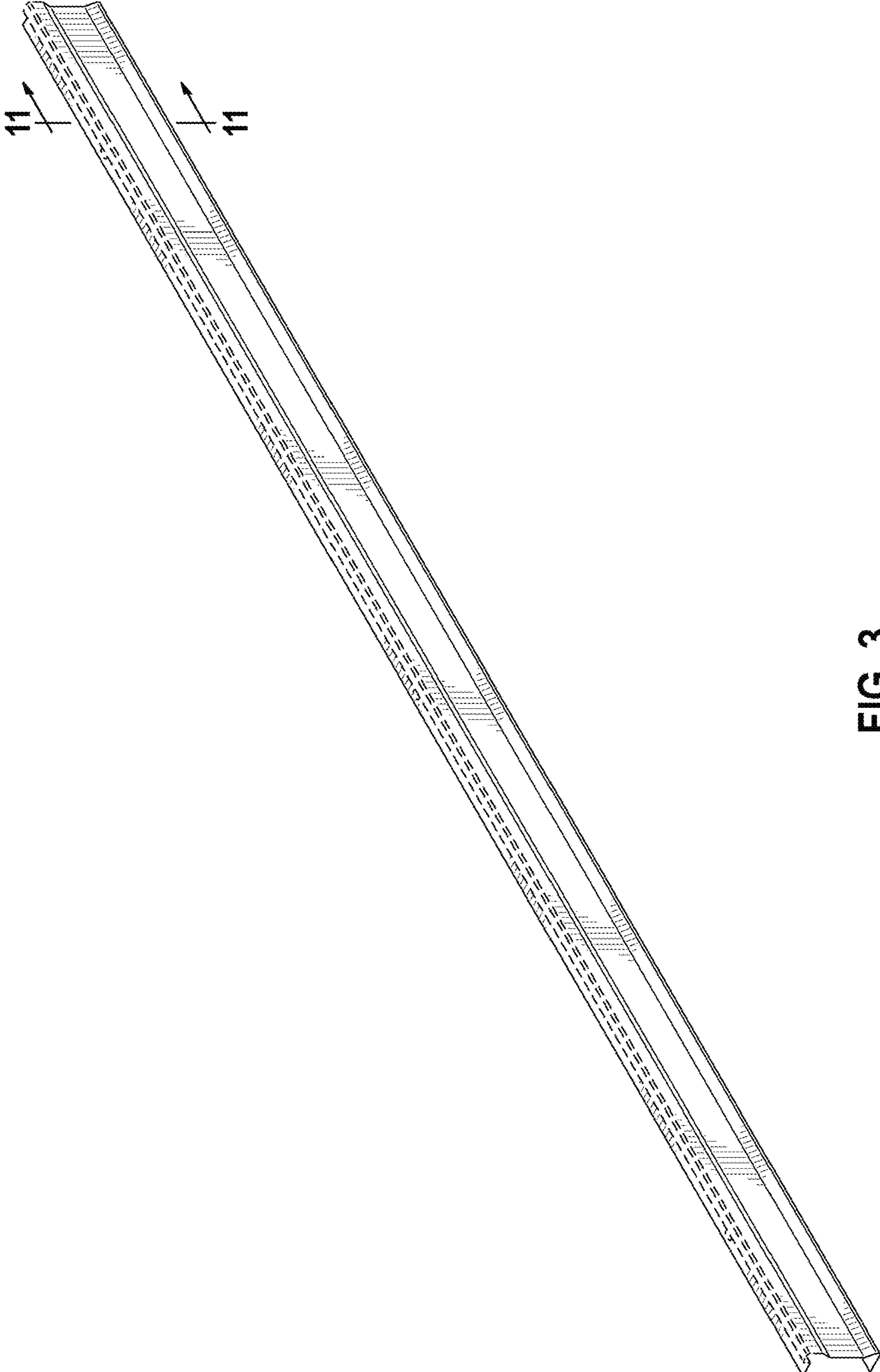


FIG. 3



FIG. 4

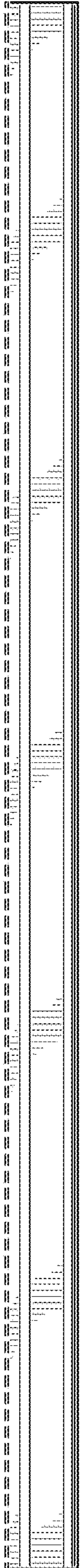


FIG. 5

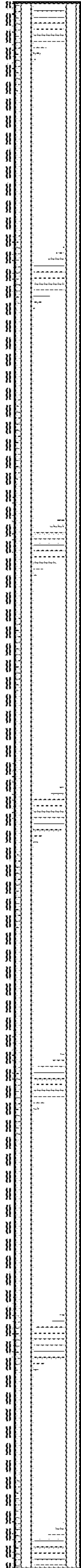


FIG. 6



FIG. 7



FIG. 8

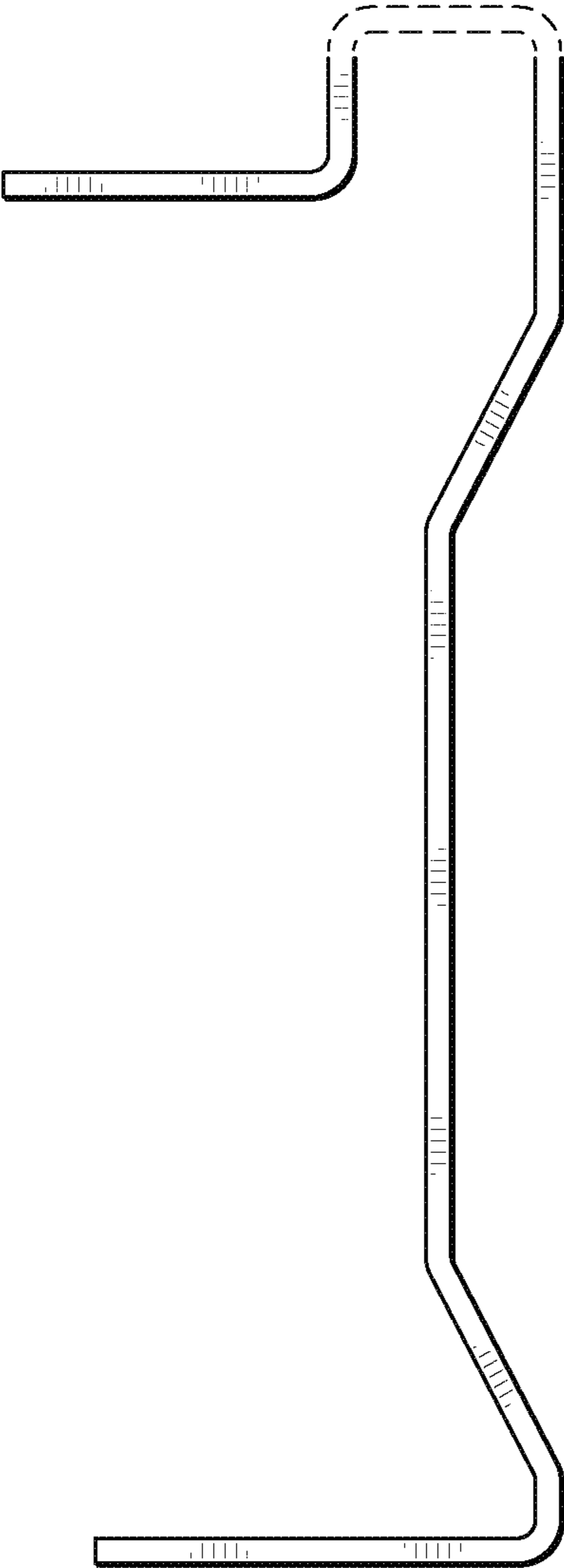


FIG. 9

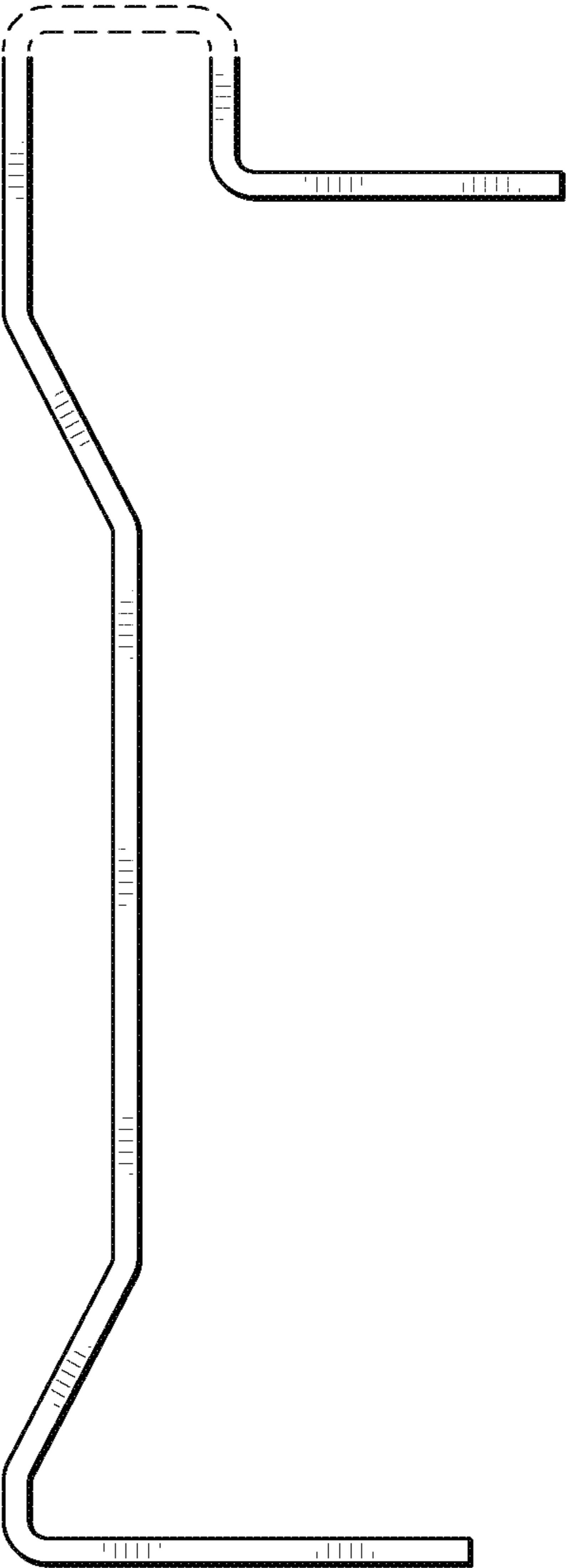


FIG. 10

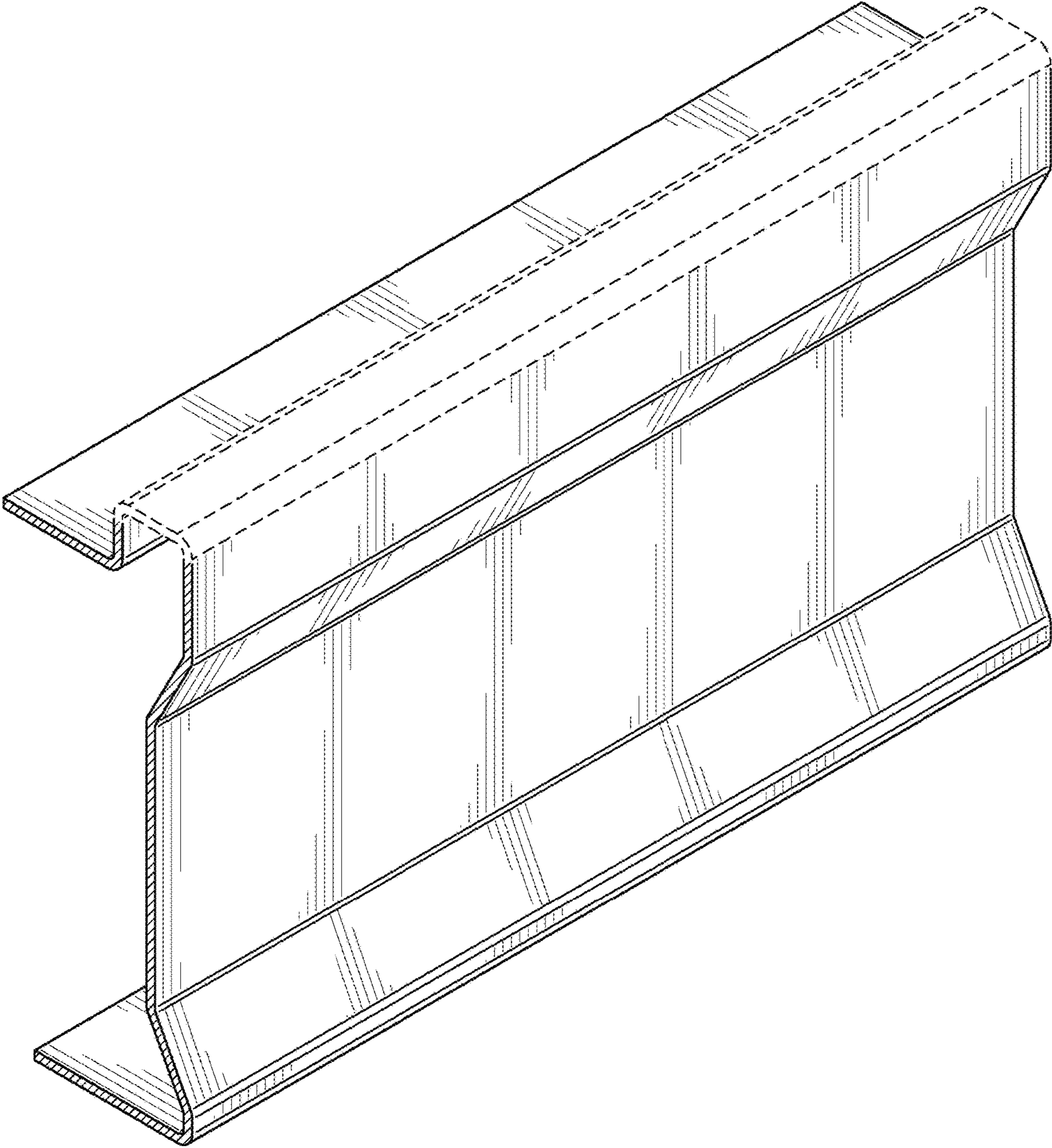


FIG. 11

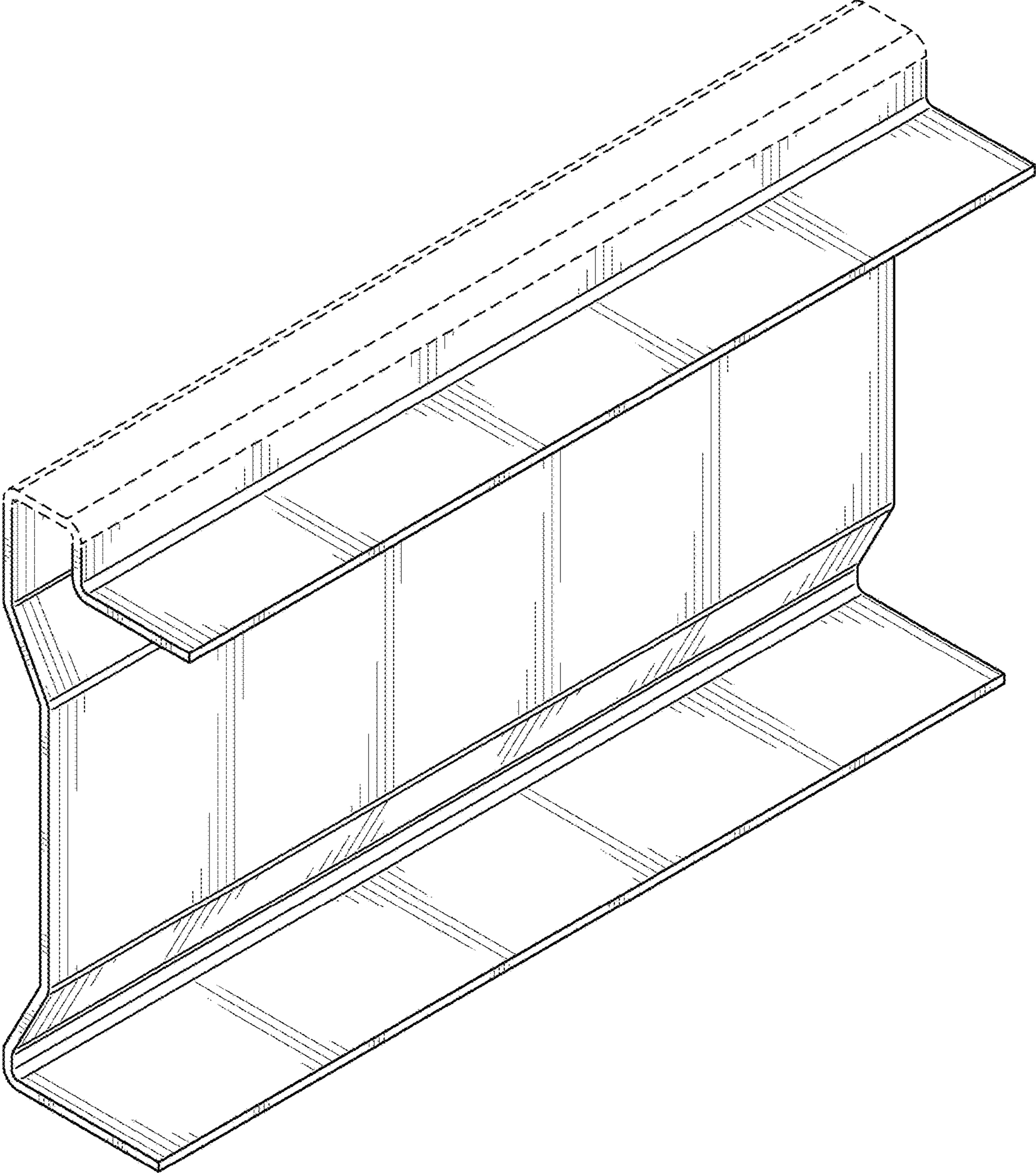


FIG. 12

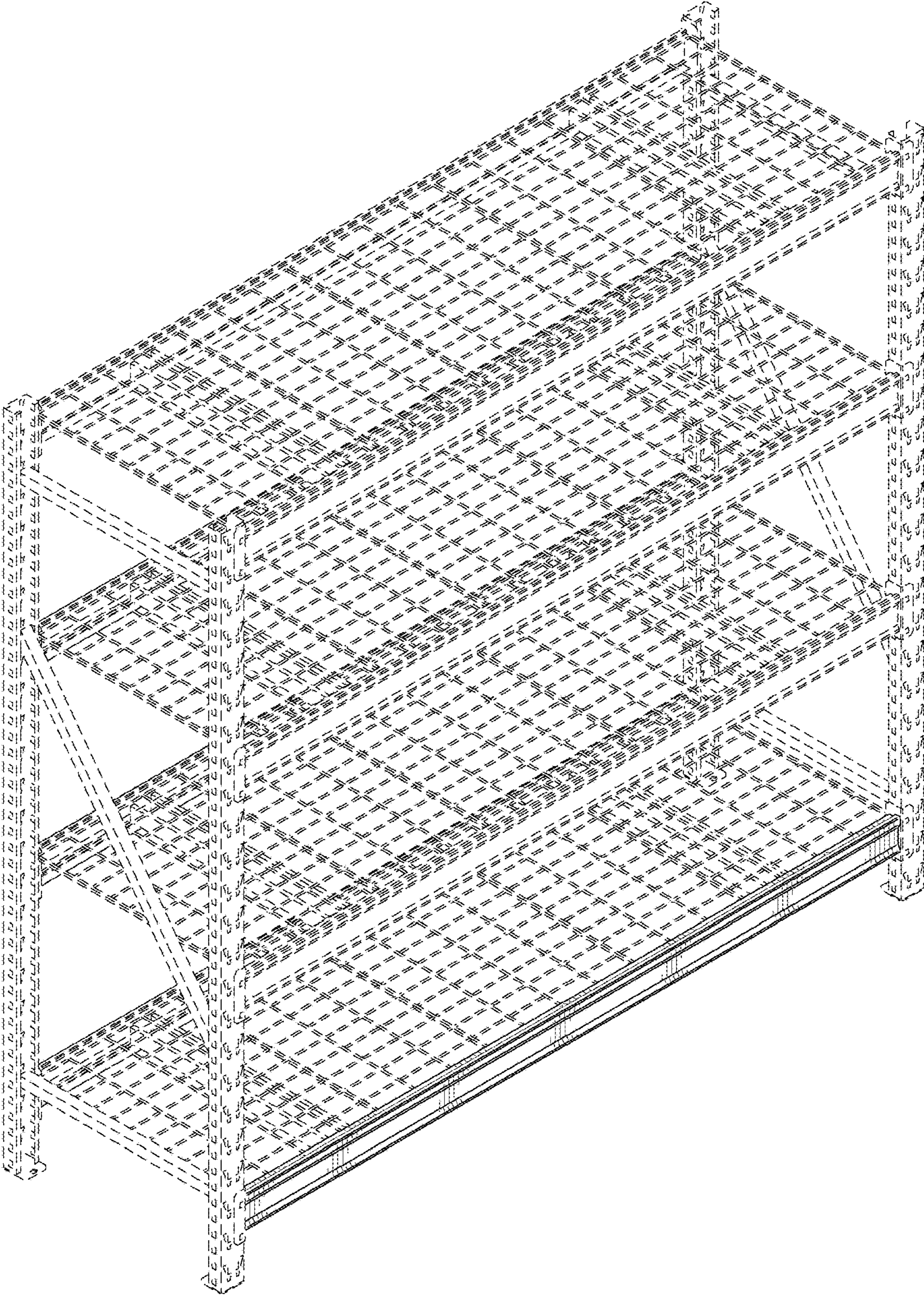


FIG. 13

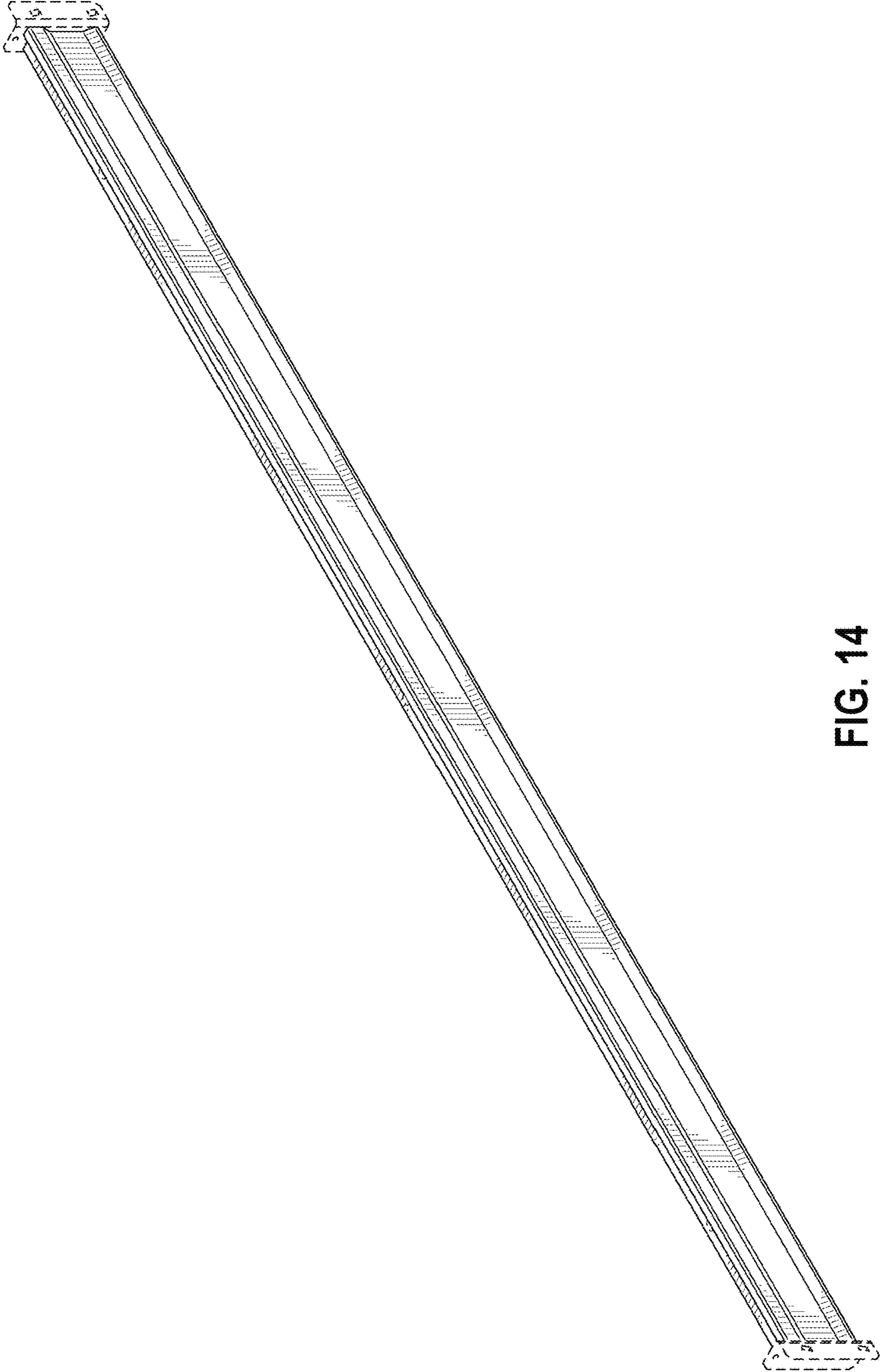


FIG. 14

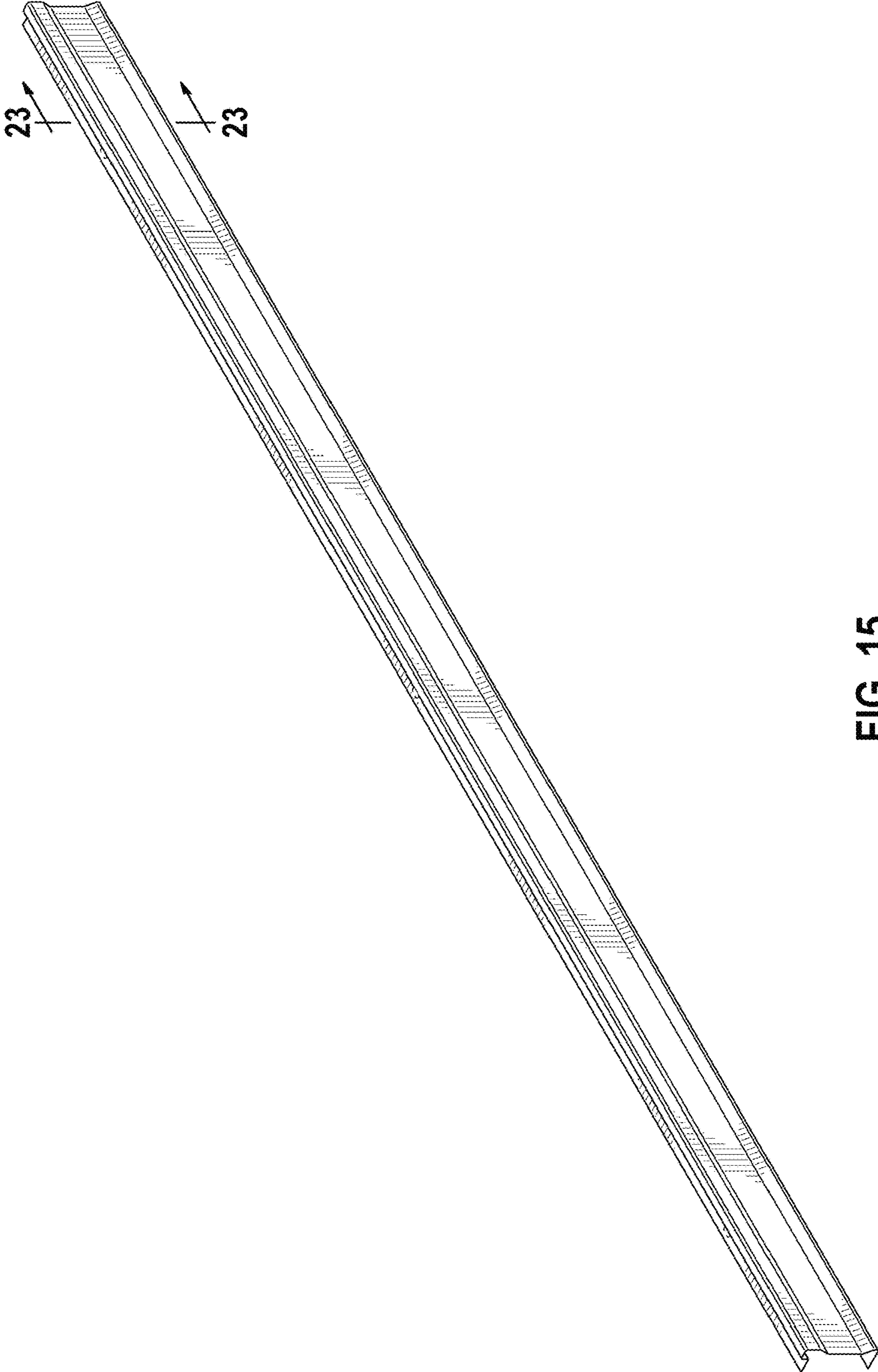


FIG. 15

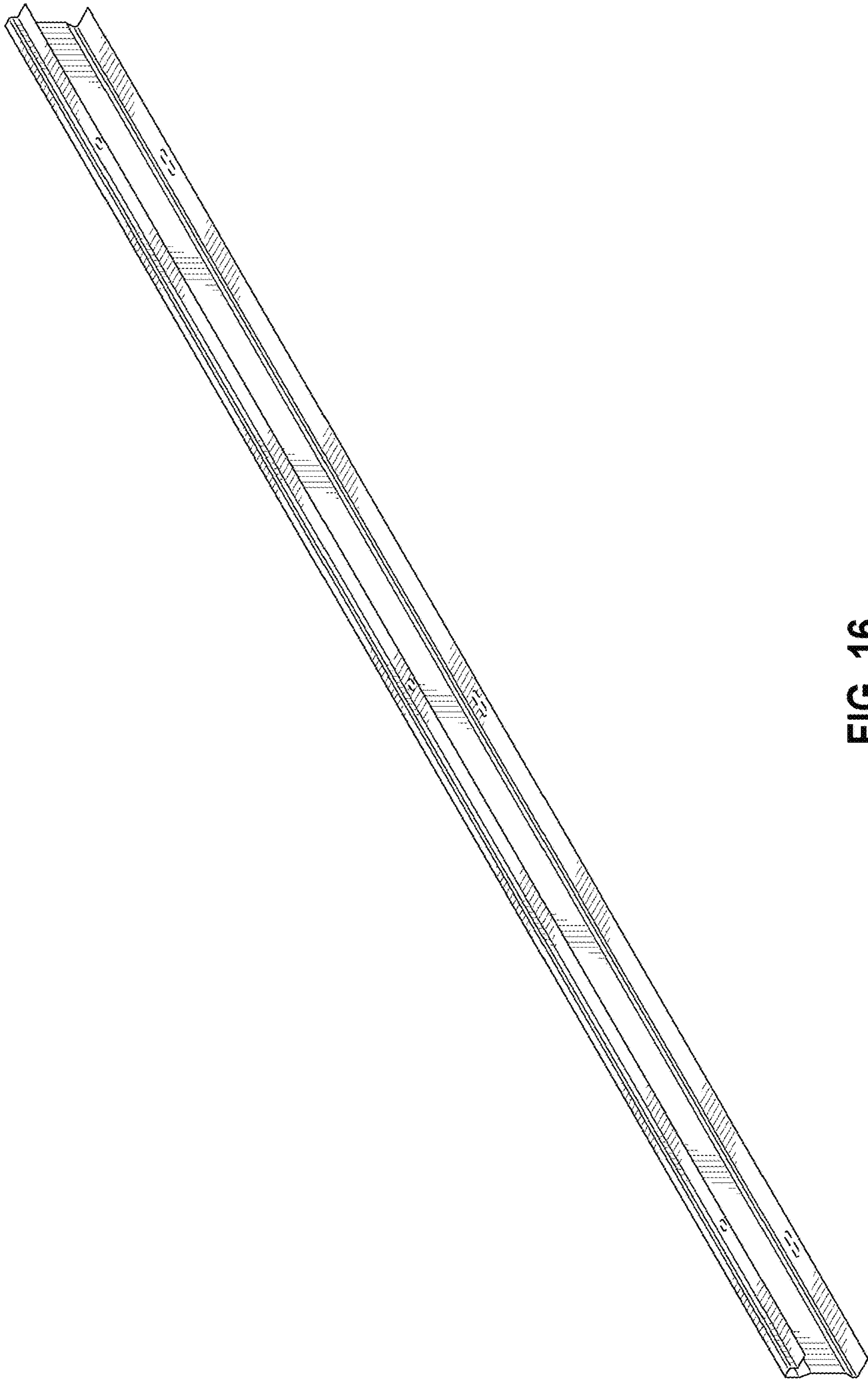


FIG. 16

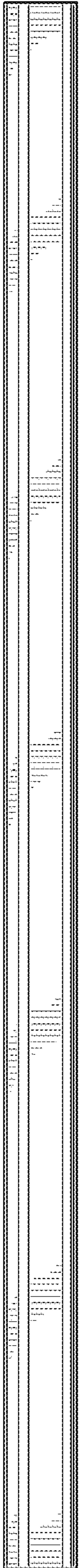


FIG. 17

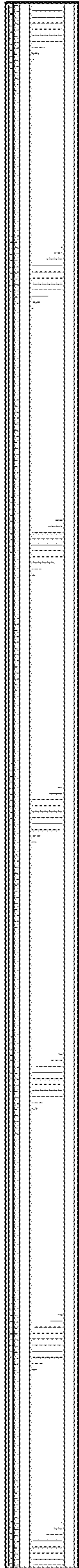


FIG. 18



FIG. 19



FIG. 20

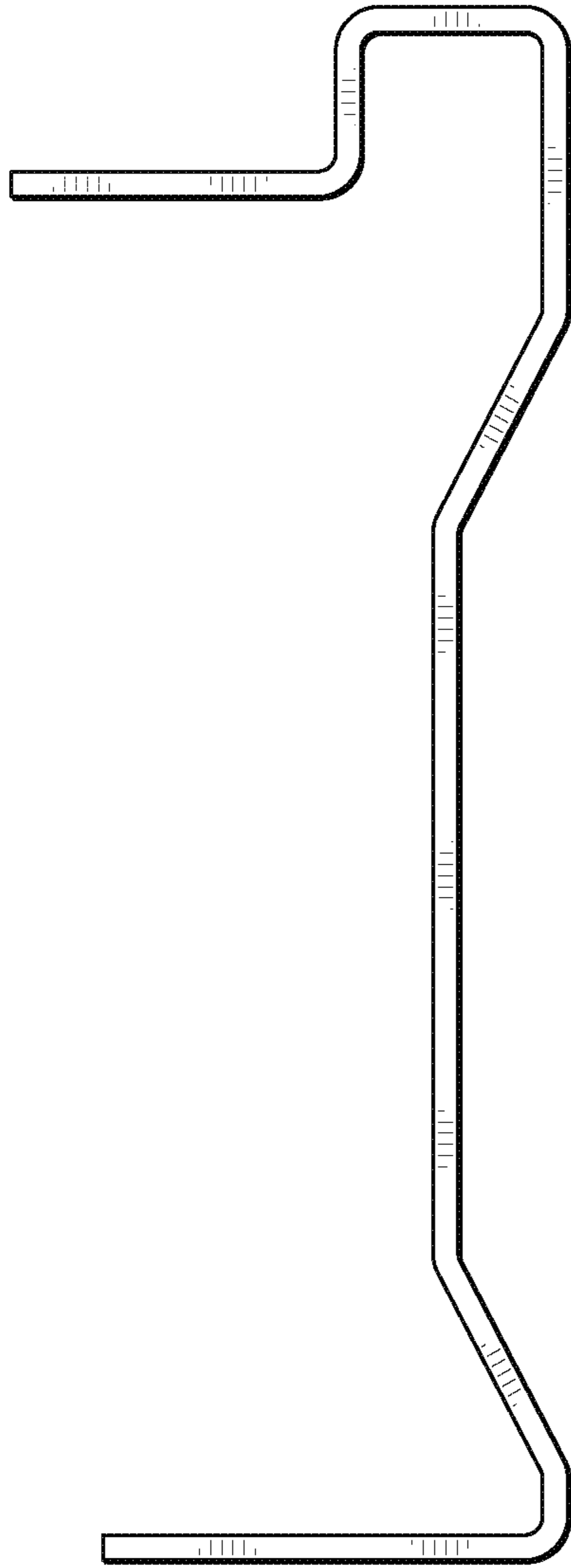


FIG. 21

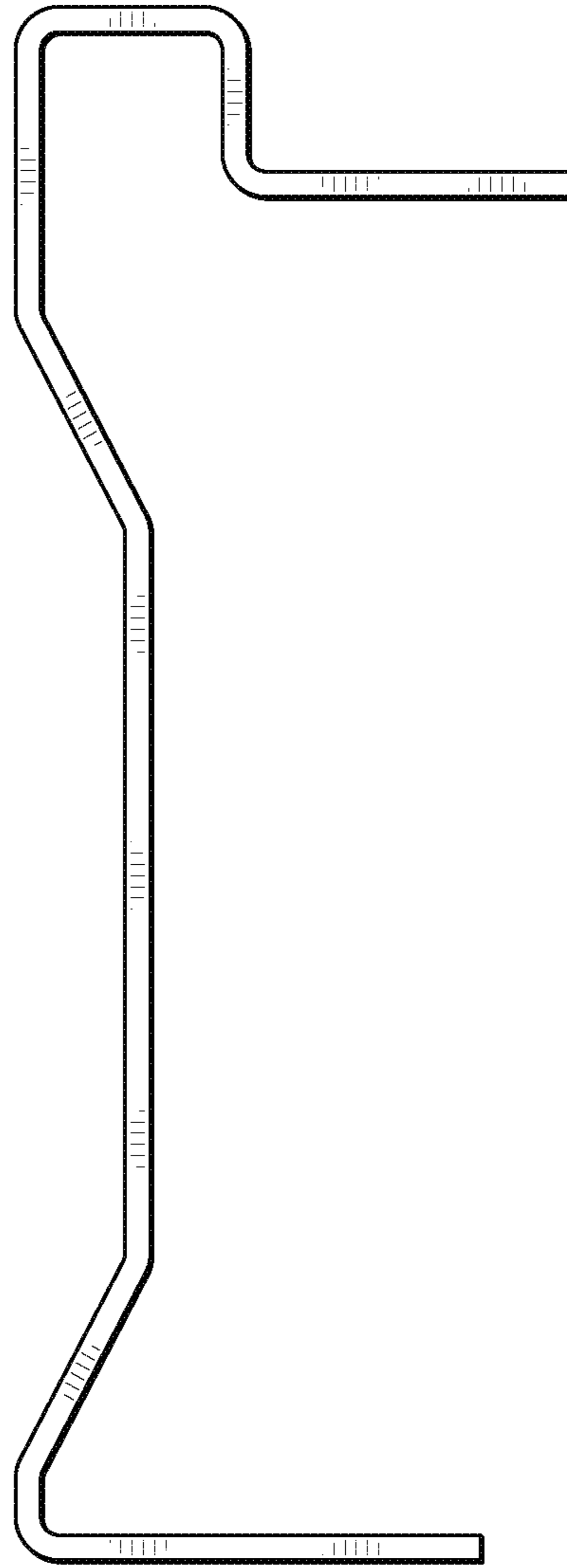


FIG. 22

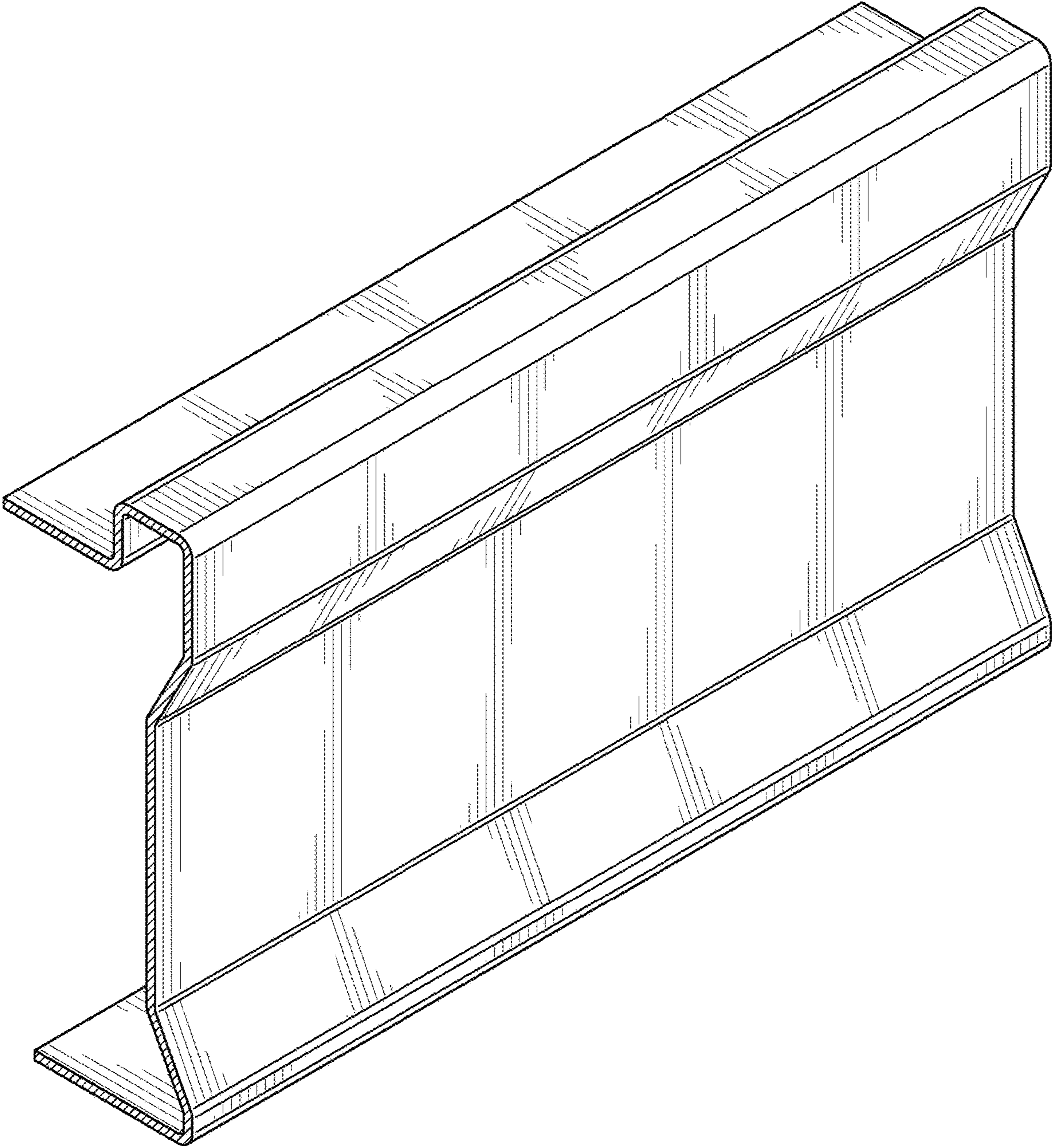


FIG. 23

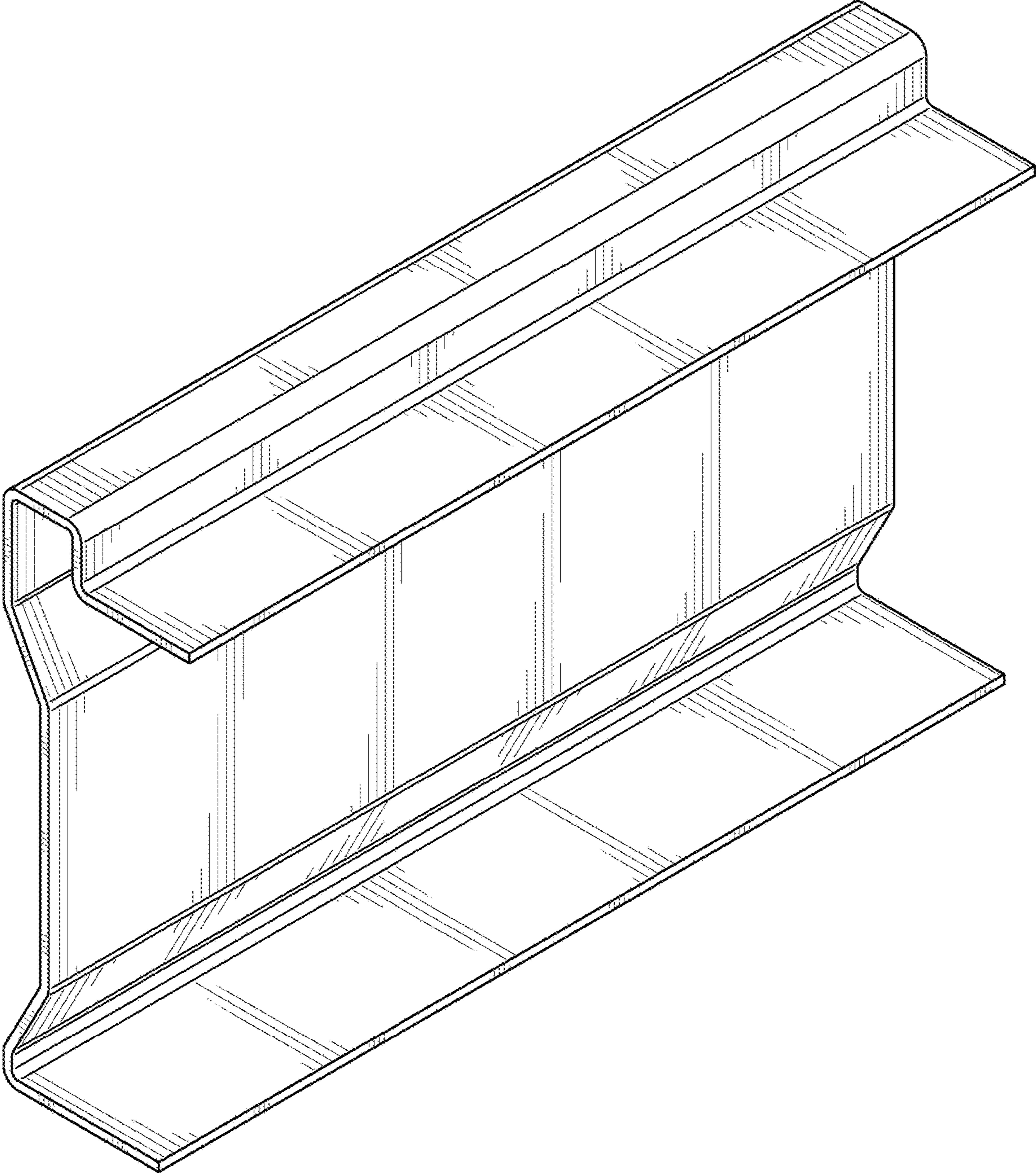


FIG. 24

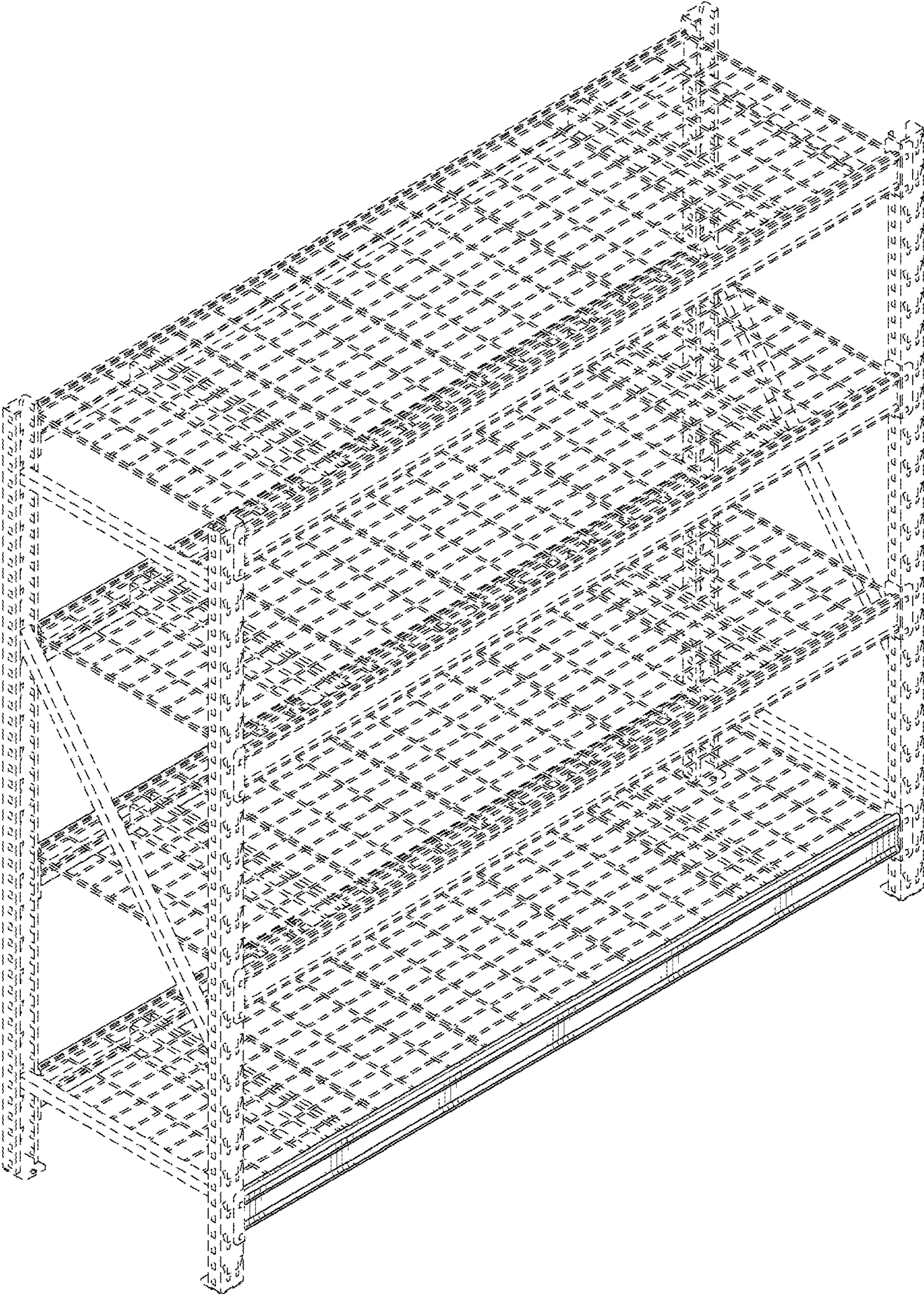


FIG. 25

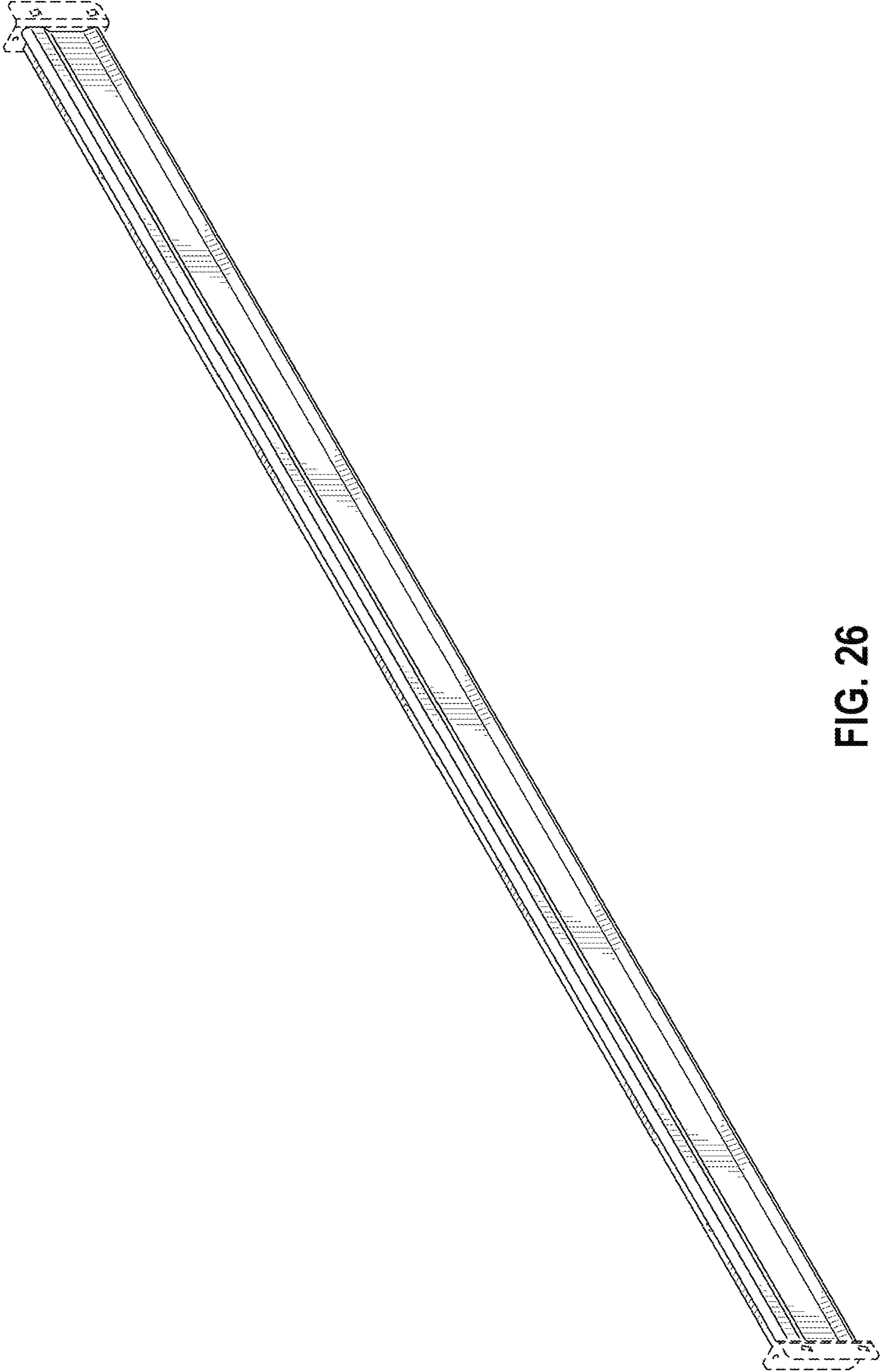


FIG. 26

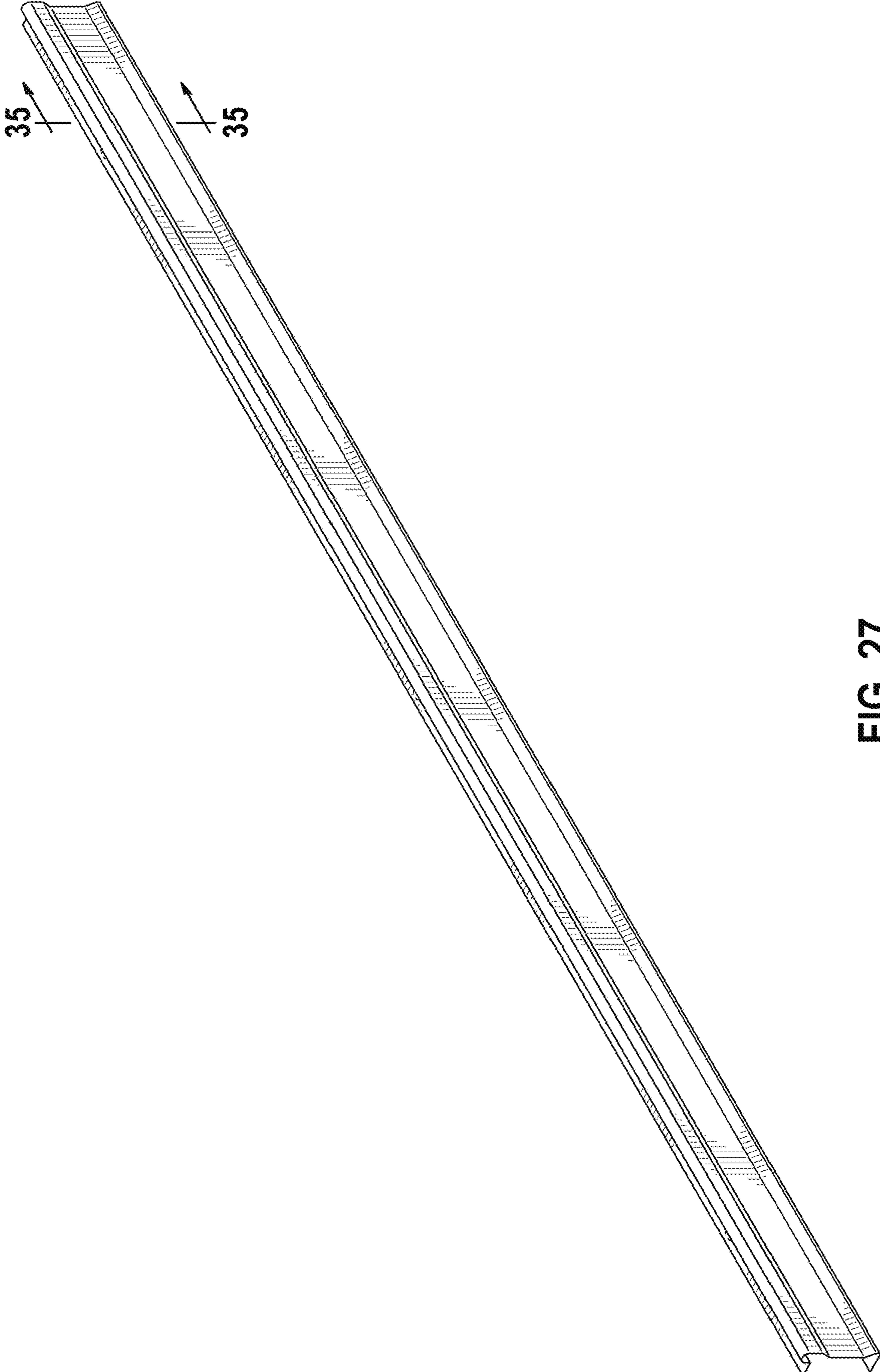


FIG. 27

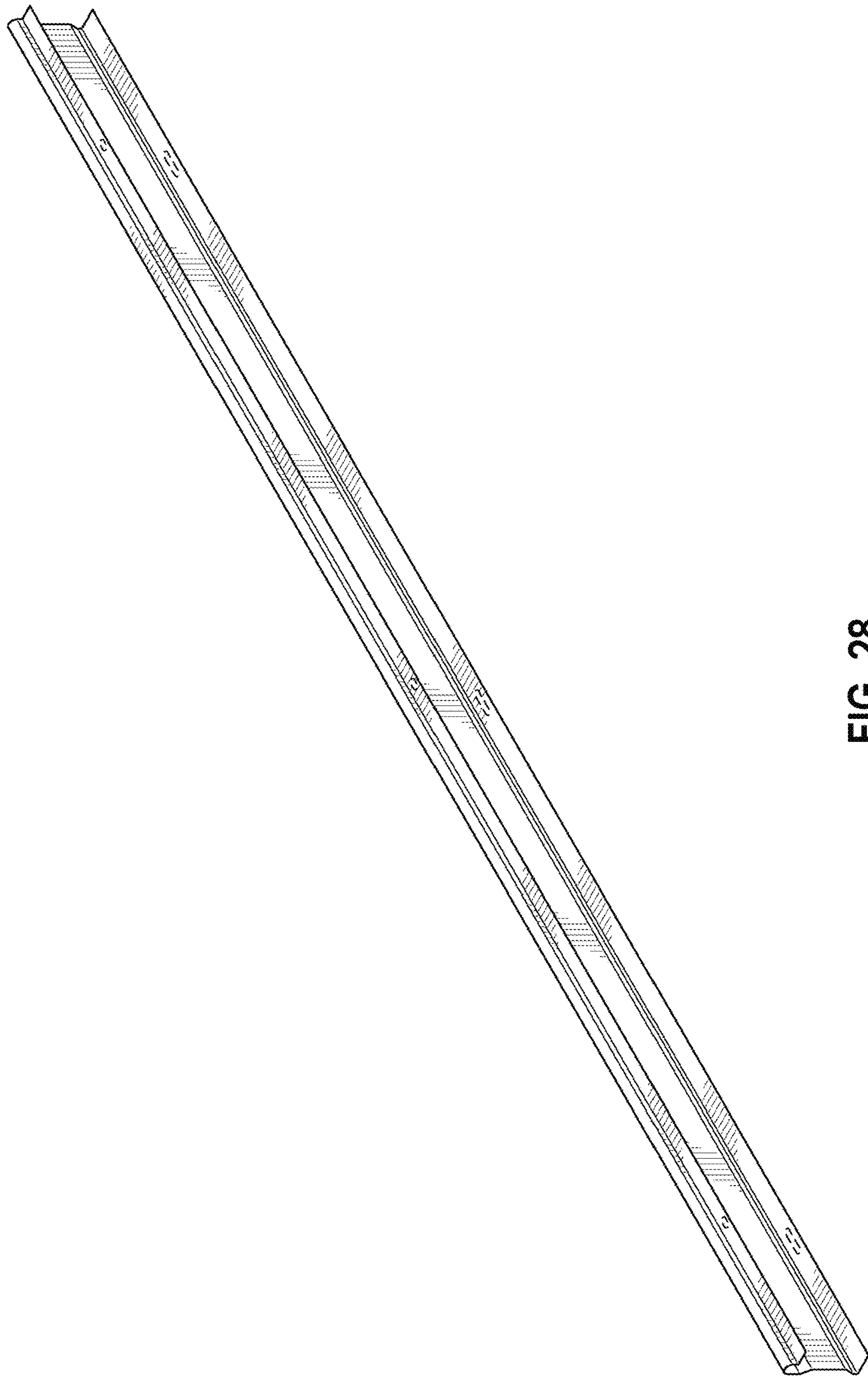


FIG. 28

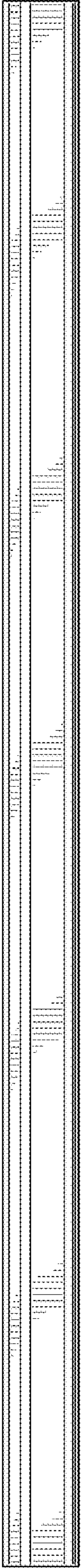


FIG. 29

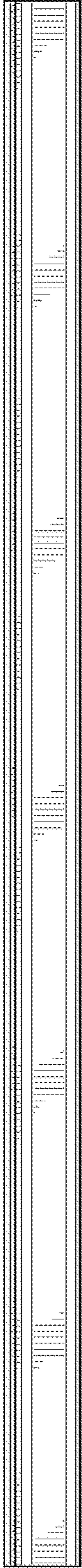


FIG. 30

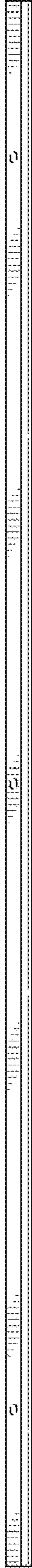


FIG. 31



FIG. 32

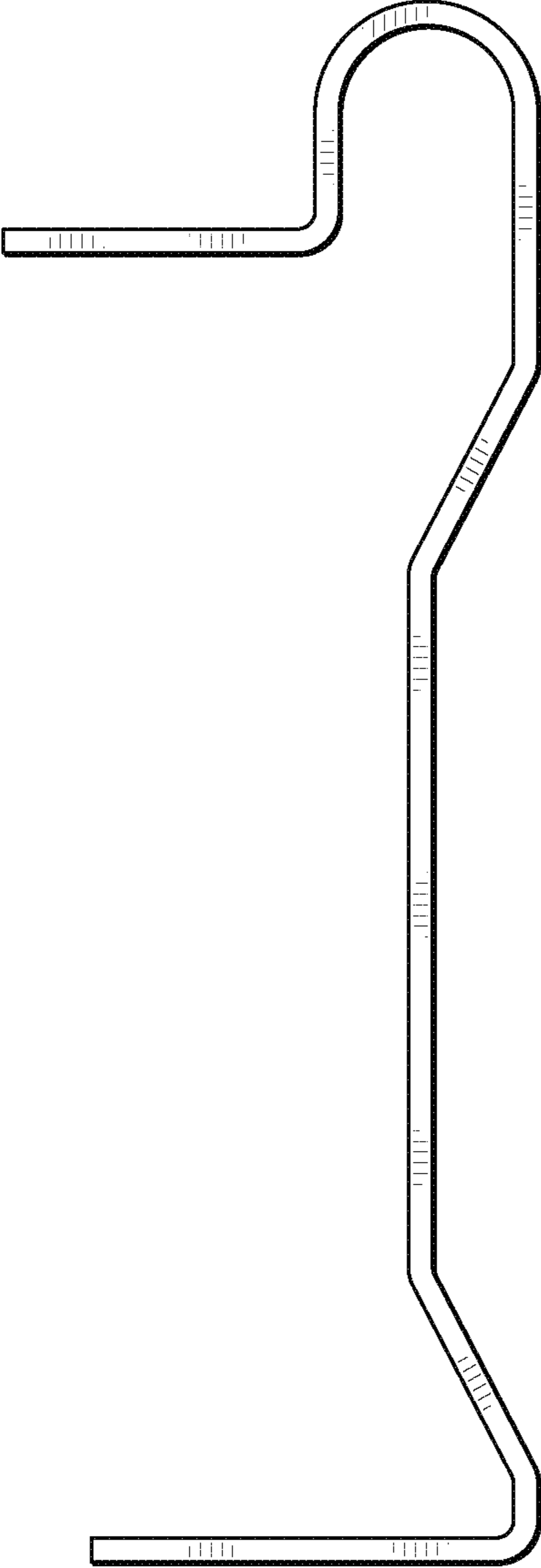


FIG. 33

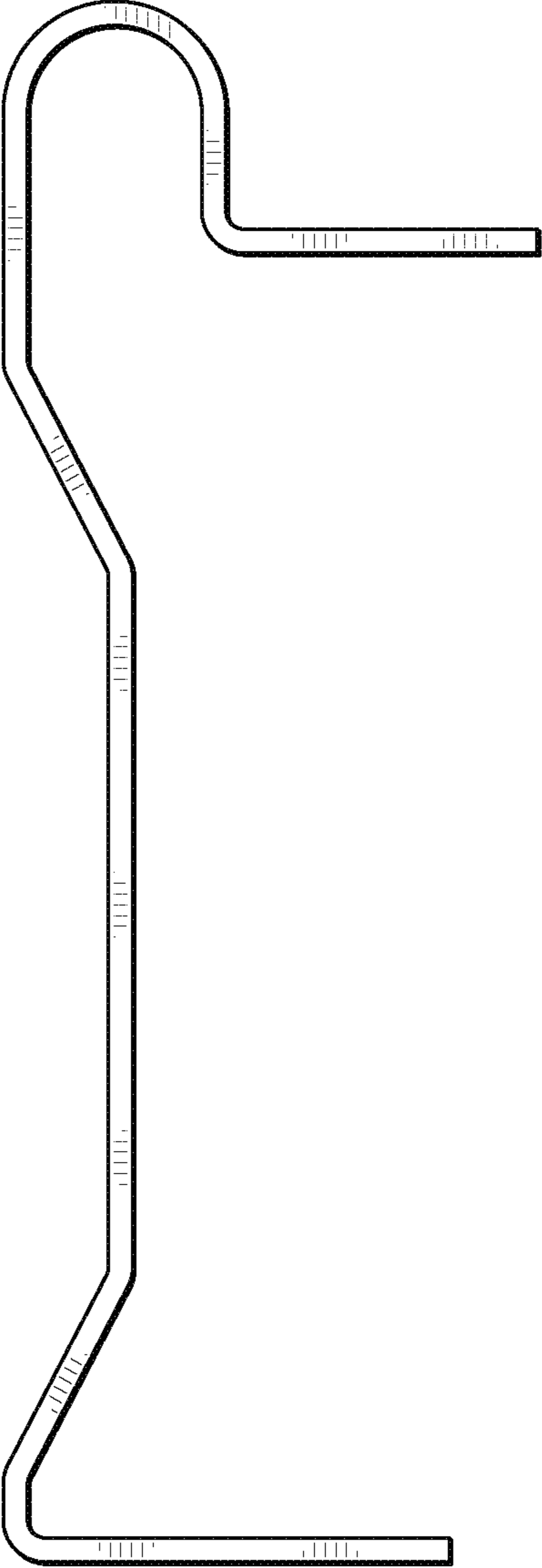


FIG. 34

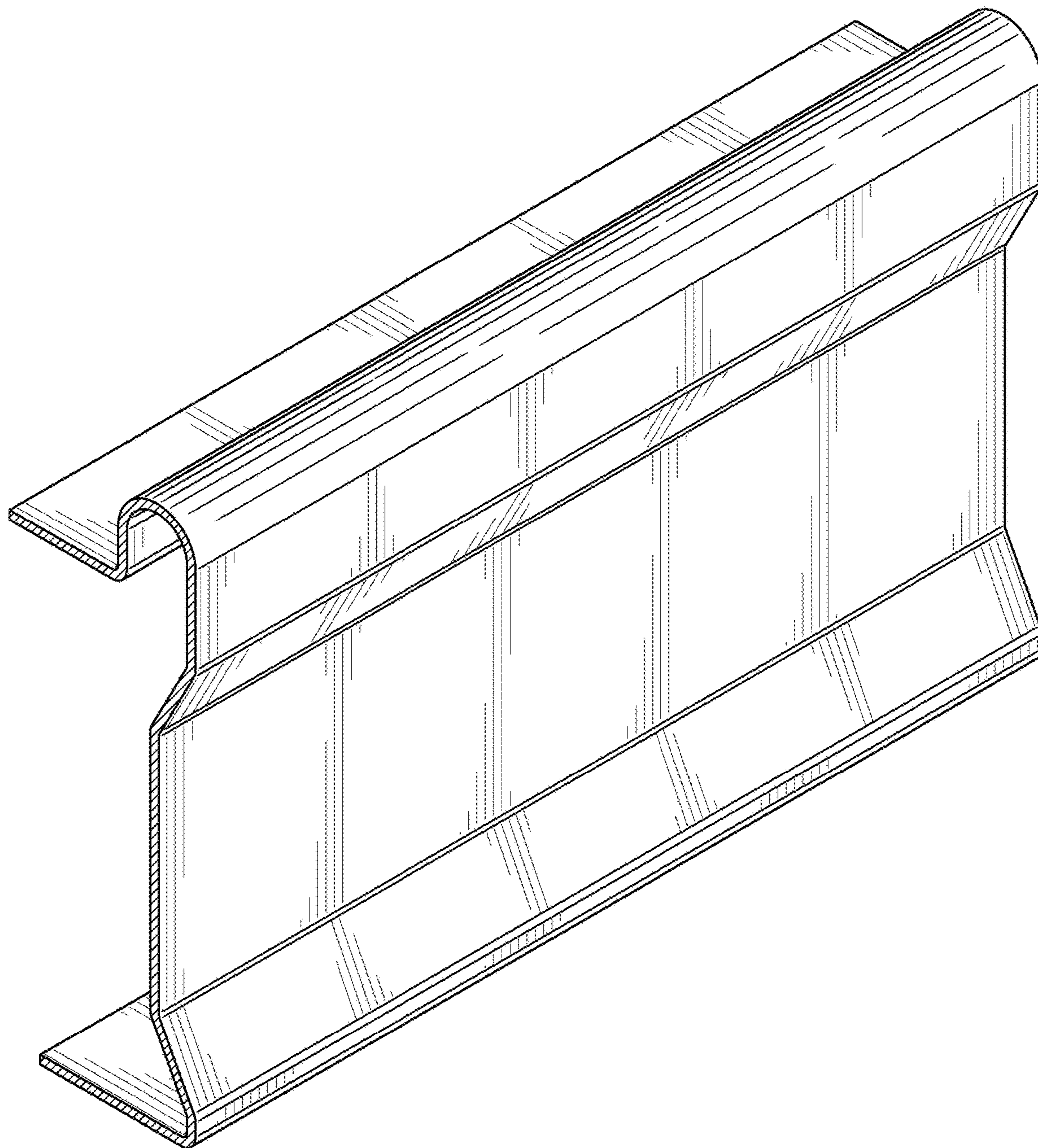


FIG. 35

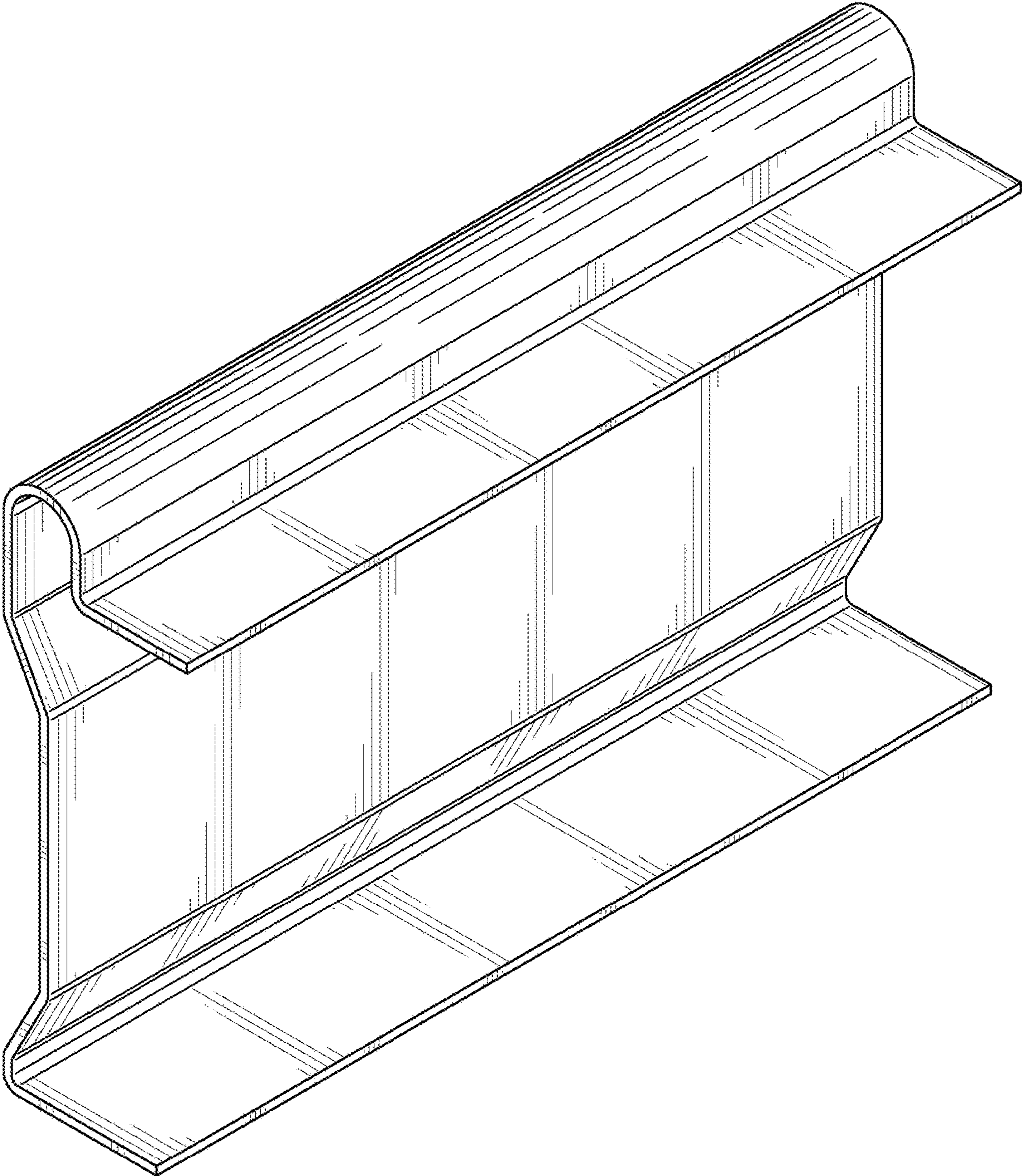


FIG. 36