



US00D922807S

(12) **United States Design Patent** (10) **Patent No.:** **US D922,807 S**
Greenwood (45) **Date of Patent:** **** Jun. 22, 2021**

(54) **BOX ORGANIZER**

(71) Applicant: **YouCopia Products Inc.**, Chicago, IL (US)

(72) Inventor: **Mark Greenwood**, Arlington Heights, IL (US)

(73) Assignee: **YouCopia Products, Inc.**, Chicago, IL (US)

(**) Term: **15 Years**

(21) Appl. No.: **29/682,175**

(22) Filed: **Mar. 1, 2019**

(51) **LOC (13) Cl.** **20-02**

(52) **U.S. Cl.**
USPC **D6/675.1**

(58) **Field of Classification Search**
USPC D6/300, 310, 320, 329, 512, 513, 514, D6/515, 545, 567, 574, 641, 642, 661, D6/662.1, 663-691, 691.1, 694, 702, 705, D6/705.2, 705.4, 705.5, 705.6, 705.7, D6/706, 708.16, 712, 719; D7/300, 301, D7/302, 303, 304, 305, 306, 307, 308, D7/309, 310, 311, 312, 313, 314, 315, D7/316, 317, 318, 319, 320, 321, 322, D7/396.1, 552.2, 600, 600.1, 600.4, 701; D8/71, 354, 363, 373, 374, 377, 381, D8/394; D3/201, 297, 304, 306
CPC A47B 11/00; A47B 9/00; A47B 51/00; A47B 57/00; A47B 57/08; A47B 57/10; A47B 57/16; A47B 57/30; A47B 45/00; A47B 47/00; A47B 47/021; A47B 47/025; A47B 47/027; A47B 87/00; A47B 87/008; A47B 87/02; A47B 87/0207; A47B 43/00; A47B 43/03; A47B 43/04; A47B 88/00; A47B 88/40; A47B 88/423; A47B 88/427;

(Continued)

(56) **References Cited**

U.S. PATENT DOCUMENTS

782,838 A 2/1905 Foque
2,683,014 A 7/1954 Sumen et al.
(Continued)

OTHER PUBLICATIONS

Box Organizer, www.ebay.com [online]. Published on or before Aug. 1, 2020, [retrieved on Aug. 1, 2020]. Retrieved from the Internet: <URL:https://www.ebay.com/c/26034906159> (Year: 2020).*
(Continued)

Primary Examiner — Christian P. McLean

Assistant Examiner — Adam C Mager

(74) *Attorney, Agent, or Firm* — Lowe Graham Jones PLLC

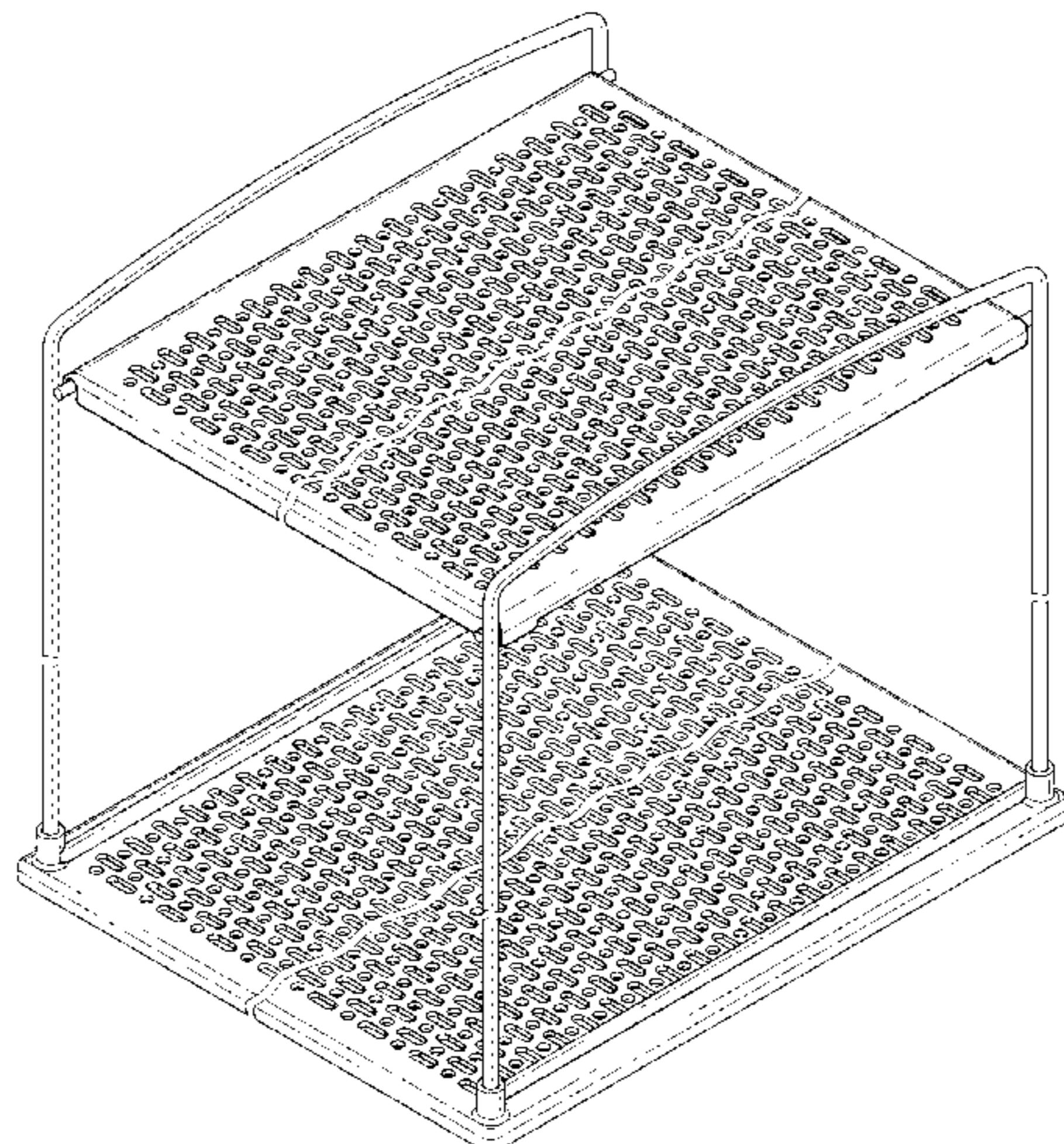
(57) **CLAIM**

The ornamental design for a box organizer, as shown and described.

DESCRIPTION

FIG. 1 is a top perspective view of a box organizer, showing my new design.
FIG. 2 is a front elevational view of the box organizer.
FIG. 3 is a rear elevational view of the box organizer.
FIG. 4 is a right side elevational view of the box organizer.
FIG. 5 is a left side elevational view of the box organizer.
FIG. 6 is a top plan view of the box organizer; and,
FIG. 7 is a top perspective view of the box organizer of FIG. 1 but shown in a different broken line environment.
The broken lines depict portions of the article that form no part of the claimed design. The pairs of wavy long-dash short-dash lines indicate a symbolic break in the box organizer. The appearance of any portion of the article between the break lines forms no part of the claimed design. The broken lines in FIG. 7 are for the purpose of illustrating environmental structure that forms no part of the claimed design.

1 Claim, 7 Drawing Sheets



(58) **Field of Classification Search**

CPC ... A47B 19/00; A47B 31/00; A47B 2031/002;
A47B 2031/003; A47B 2031/008; A47B
63/00; A47B 61/02; A47F 1/00; A47F
1/04; A47F 1/12; A47F 3/00; A47F 3/02;
A47F 3/0439; A47F 5/00; A47F 5/00;
A47F 5/0018; A47F 5/0043; A47F 10/02

See application file for complete search history.

D648,969 S * 11/2011 Cittadino D6/675
D704,482 S * 5/2014 Hsu D6/675.1
D746,089 S * 12/2015 Hsu D6/683
D785,995 S * 5/2017 Tsai D6/705.6
D785,996 S * 5/2017 Tsai D6/705.6
D801,731 S * 11/2017 Cao D6/675.1
D802,342 S * 11/2017 Chang D6/675.5
2005/0051062 A1 3/2005 Tetley
2007/0039524 A1 2/2007 Pearson
2009/0045201 A1 2/2009 Cheng et al.
2015/0250300 A1 9/2015 Watts

(56)

References Cited

U.S. PATENT DOCUMENTS

2,823,087 A 2/1958 Zimmer
2,919,814 A 1/1960 Berkowitz
4,557,200 A 12/1985 Geschwender
D405,627 S * 2/1999 Salvucci D6/675.2
D413,218 S 8/1999 Doty
6,461,107 B1 10/2002 Lee et al.

OTHER PUBLICATIONS

Kitchen Wrap Organizer Rack, www.ebay.com [online]. Published on or before Aug. 1, 2020, [retrieved on Aug. 1, 2020]. Retrieved from the Internet: <URL:<https://www.amazon.com/Simple-Houseware-Kitchen-Organizer-White/dp/B01LZUMHVH?th=1>> (Year: 2020).*

* cited by examiner

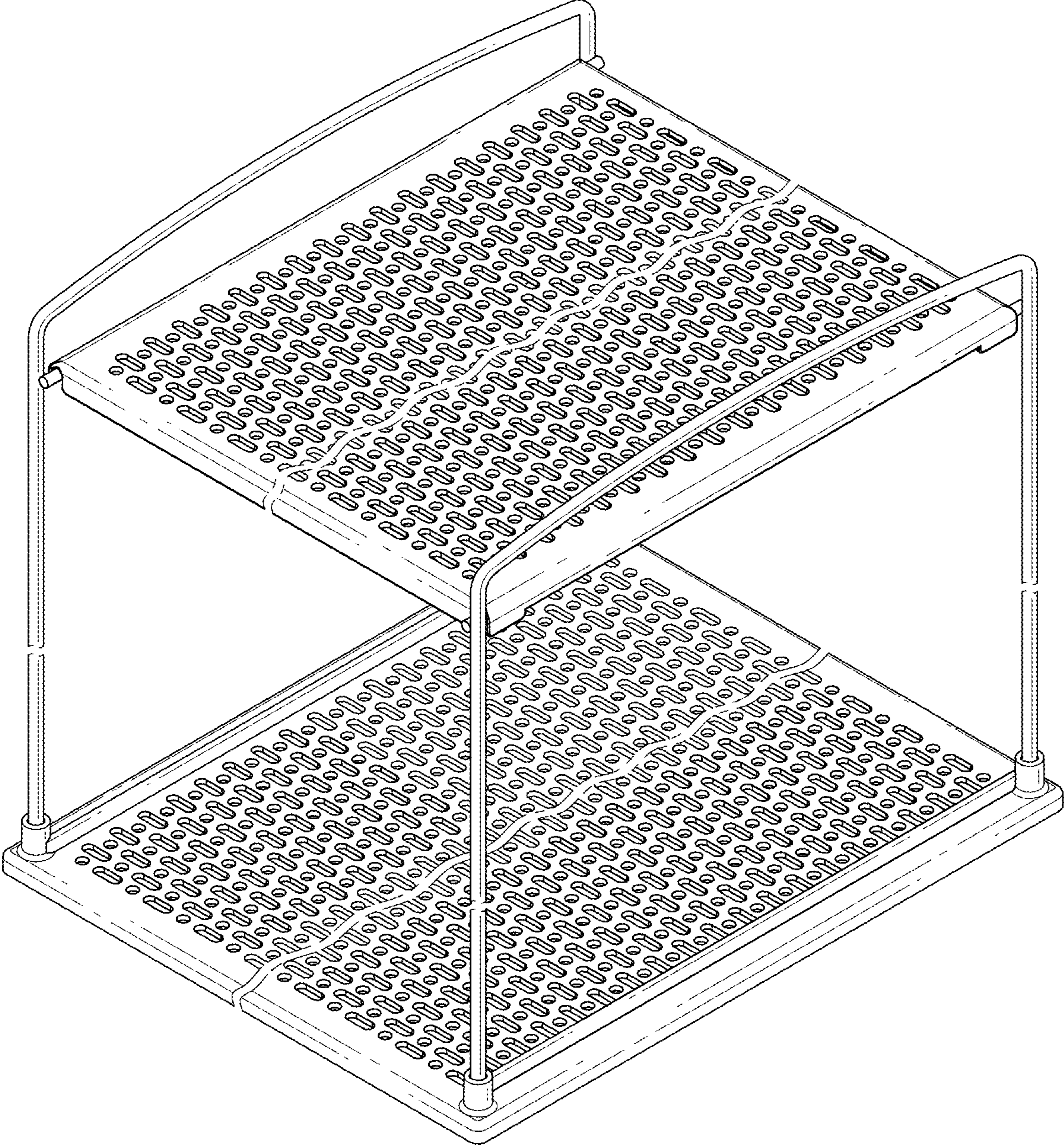


FIG. 1

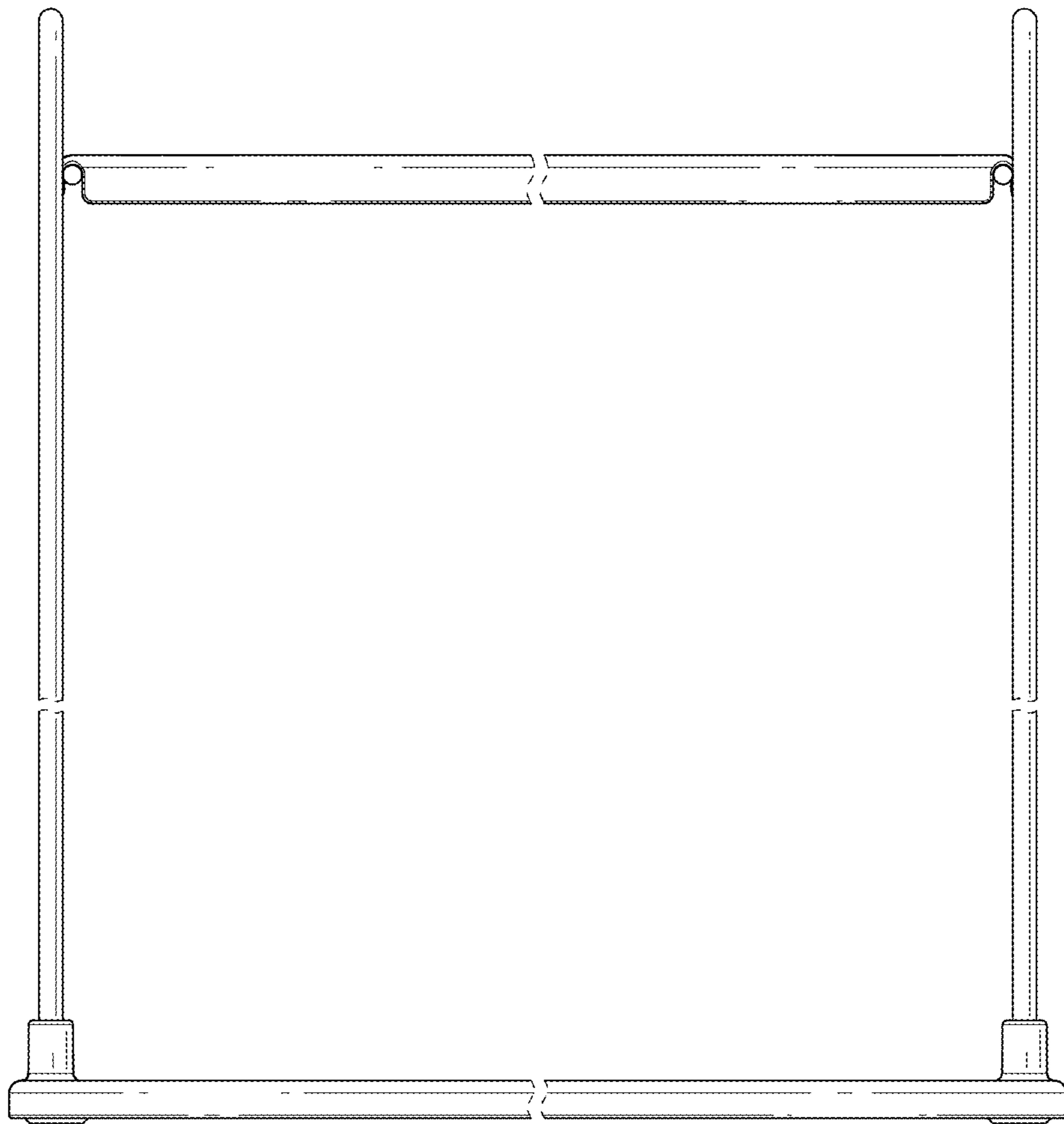


FIG. 2

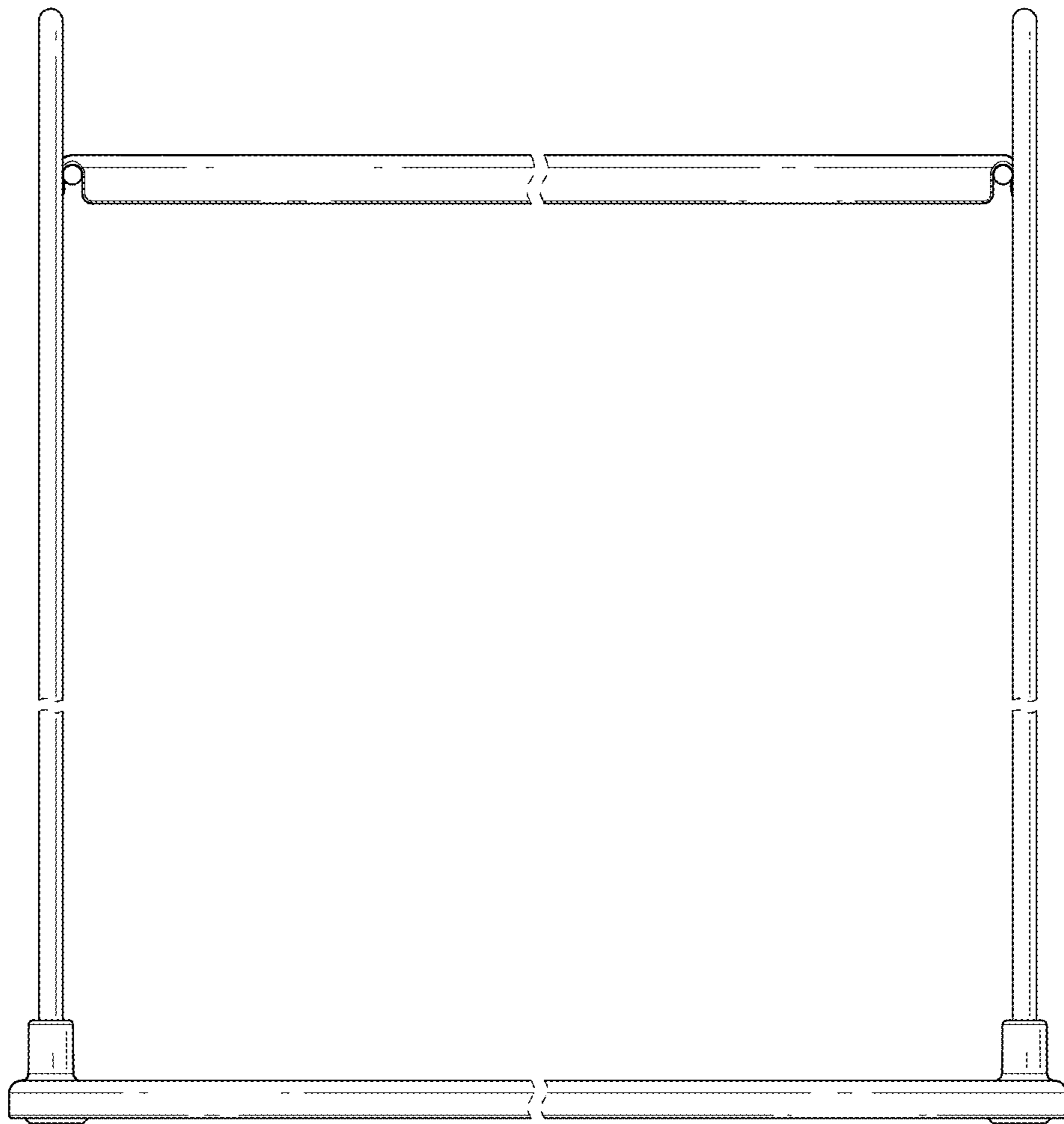


FIG. 3

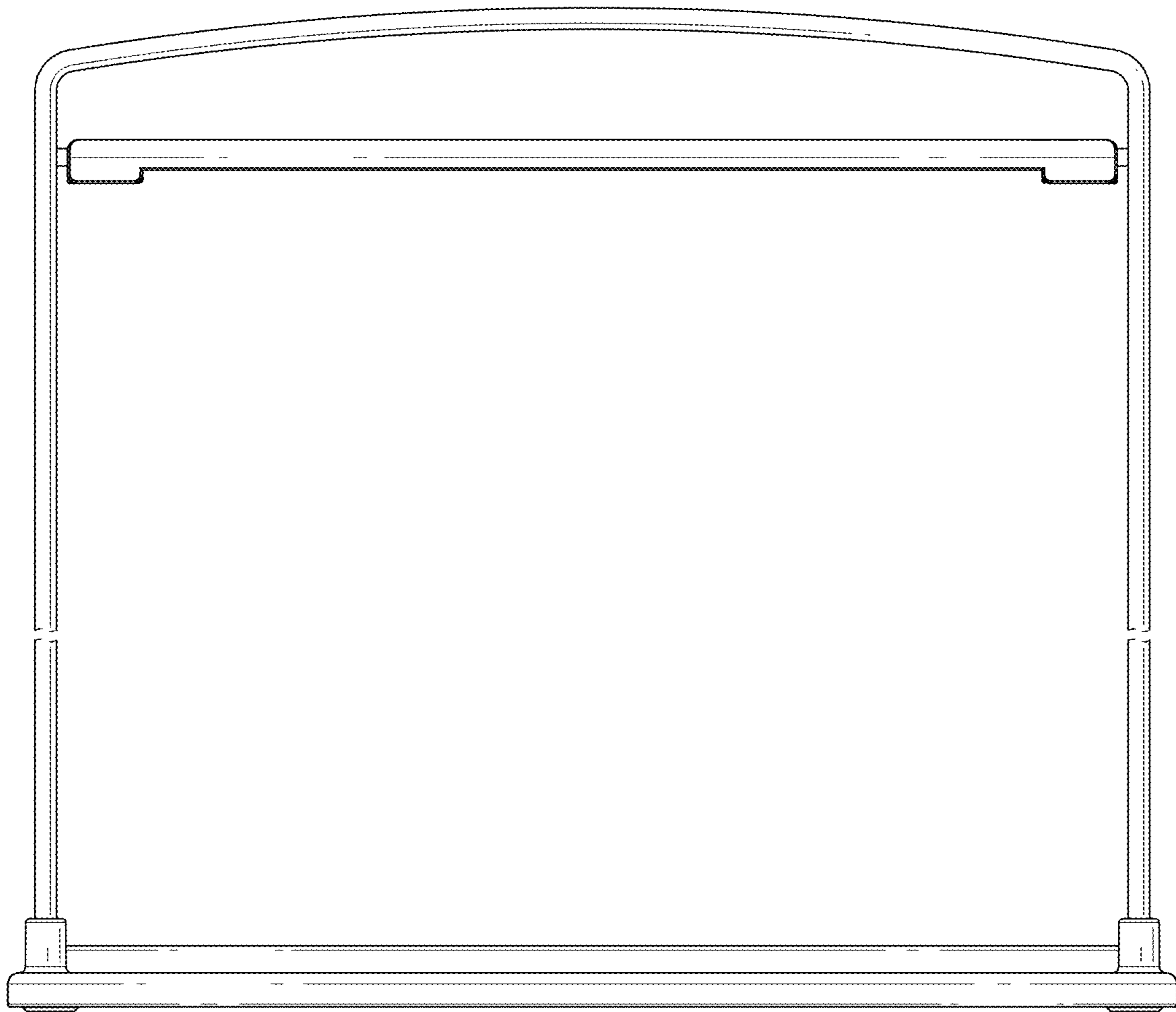


FIG.4

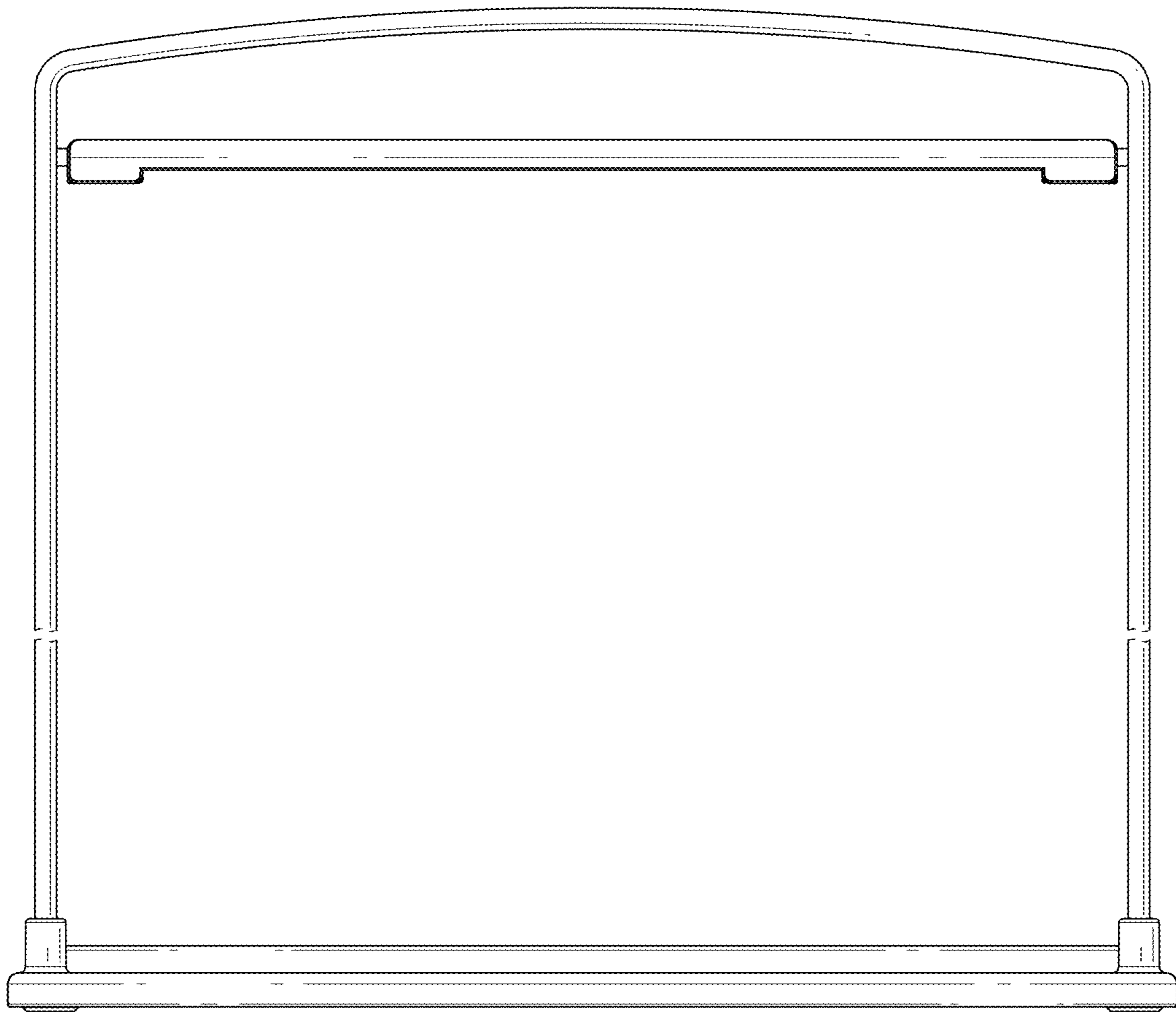


FIG. 5

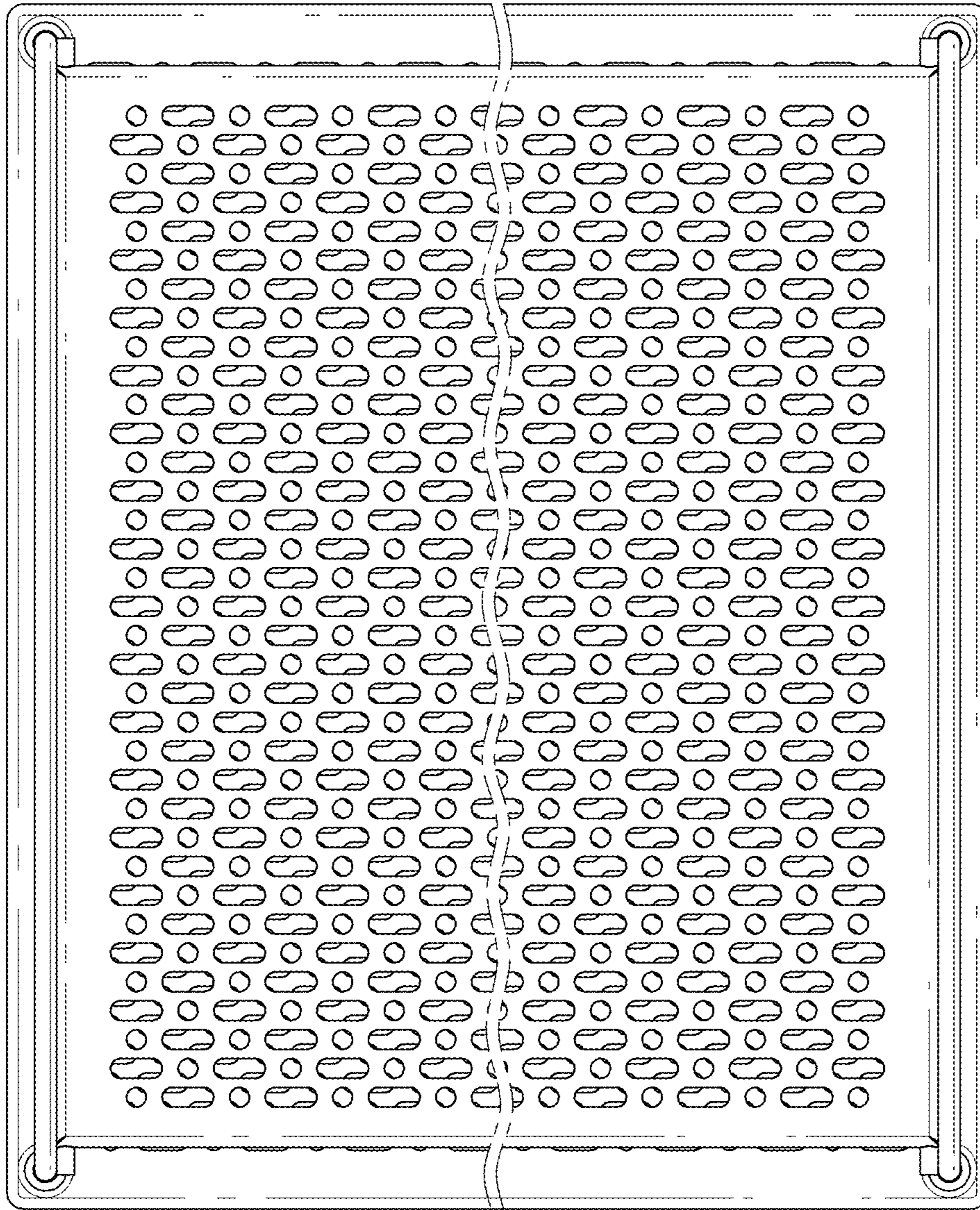


FIG. 6

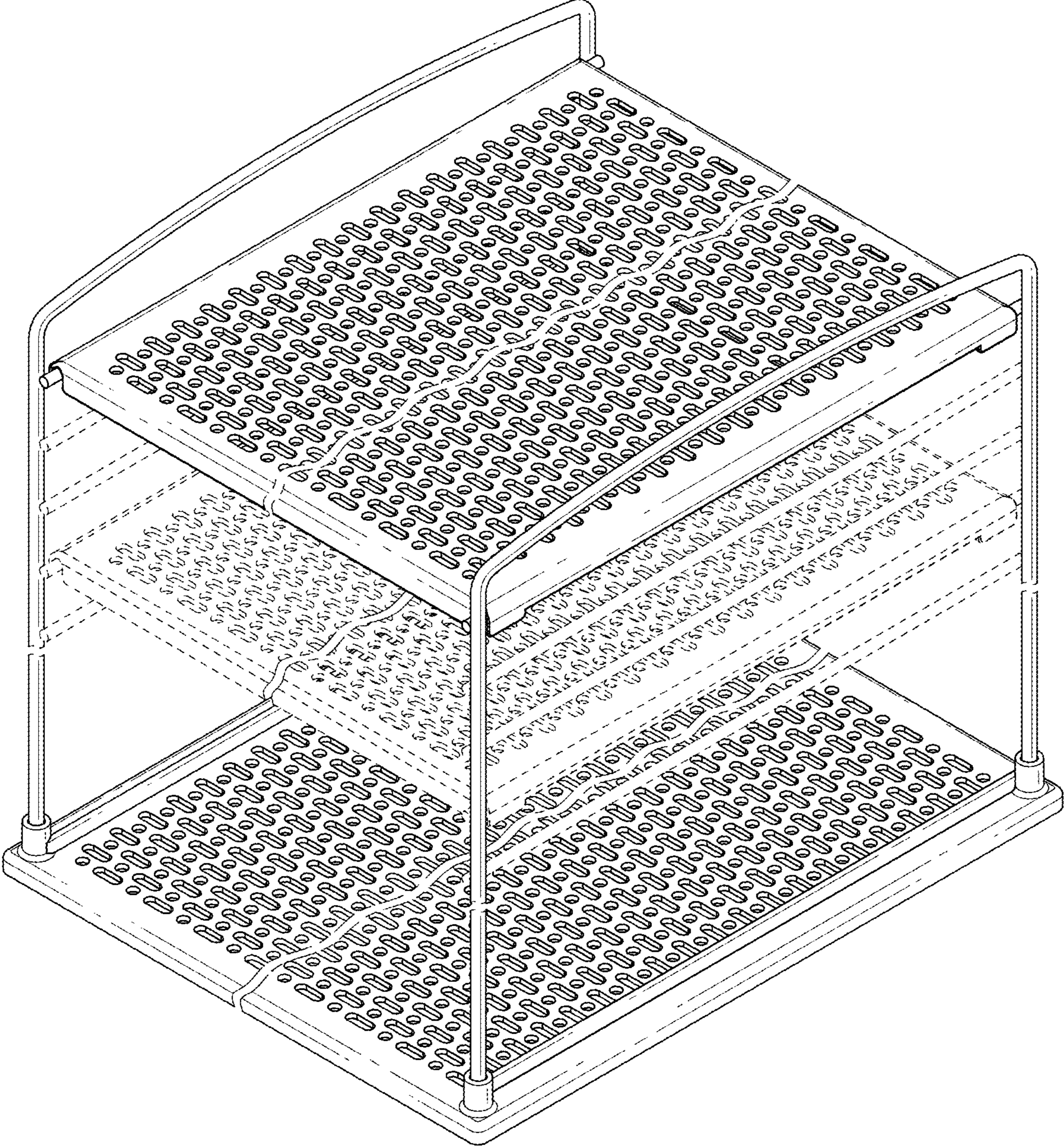


FIG. 7