



US00D922803S

(12) **United States Design Patent**  
**van Thiel et al.**

(10) **Patent No.:** **US D922,803 S**  
(45) **Date of Patent:** **\*\* Jun. 22, 2021**

(54) **CABINET**

(71) Applicant: **RH US, LLC**, Corte Madera, CA (US)

(72) Inventors: **Rudolph F. T. van Thiel**, Roanoke, VA (US); **Rudolf C. F. van Thiel**, Ho Chi Min (VN); **Frederik F. J. van Thiel**, Hong Kong (CN)

(73) Assignee: **RH US, LLC**, Corte Madera, CA (US)

(\*\*) Term: **15 Years**

(21) Appl. No.: **29/746,253**

(22) Filed: **Aug. 12, 2020**

(51) **LOC (13) Cl.** ..... **06-04**

(52) **U.S. Cl.**  
USPC ..... **D6/671.1**

(58) **Field of Classification Search**  
USPC ..... D6/663, 664, 671, 671.1, 671.2, 671.3, 671.4  
CPC ..... A47C 43/00; A47C 47/03; A47C 47/04; A47C 47/05

See application file for complete search history.

(56) **References Cited**

**U.S. PATENT DOCUMENTS**

134,387 A	12/1872	Magee
1,000,654 A	8/1911	Wilt
D88,180 S	11/1932	Van De Riet
D96,212 S	7/1935	Widman
D129,484 S	9/1941	Miller

(Continued)

**OTHER PUBLICATIONS**

Unknown, Henrendon Artefacts, circa 1970s.

(Continued)

*Primary Examiner* — Mimoso De

(74) *Attorney, Agent, or Firm* — Lewis Roca Rothgerber Christie LLP

(57) **CLAIM**

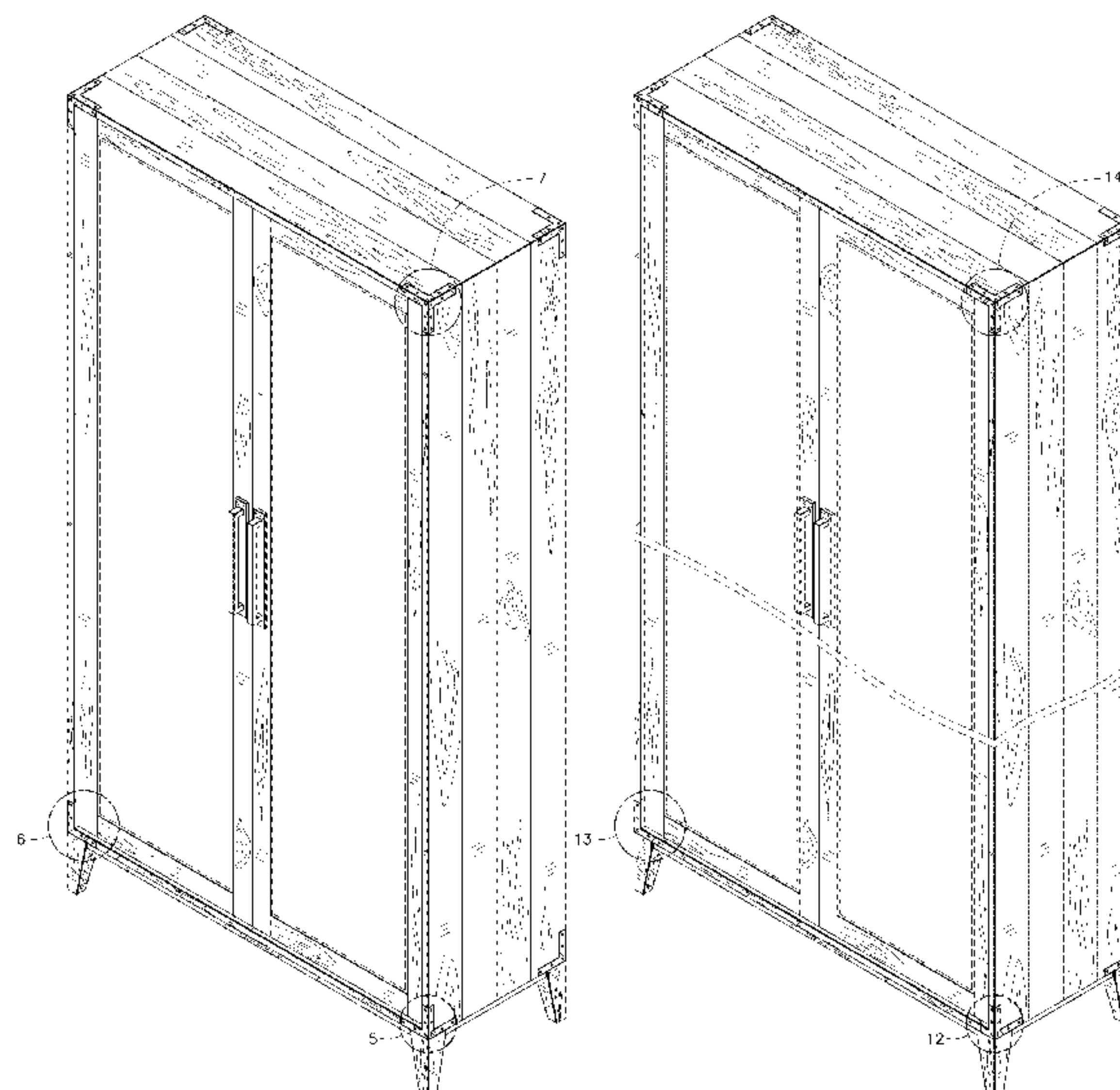
The ornamental design for a cabinet, as shown and described.

**DESCRIPTION**

FIG. 1 is a perspective view of a first embodiment of a cabinet showing our new design;  
 FIG. 2 is a top plan view thereof;  
 FIG. 3 is a front elevation view thereof;  
 FIG. 4 is a right side elevation view thereof, the left side being a mirror image;  
 FIG. 5 is an enlarged fragment of a portion of the cabinet shown in FIG. 1 and labeled 5;  
 FIG. 6 is an enlarged fragment of a portion of the cabinet shown in FIG. 1 and labeled 6;  
 FIG. 7 is an enlarged fragment of a portion of the cabinet shown in FIG. 1 and labeled 7;  
 FIG. 8 is a perspective view of a second embodiment of a cabinet showing our design;  
 FIG. 9 is a top plan view thereof;  
 FIG. 10 is a front elevation view thereof;  
 FIG. 11 is a right side elevation view thereof, the left side being a mirror image;  
 FIG. 12 is an enlarged fragment of a portion of the cabinet shown in FIG. 8 and labeled 12; and  
 FIG. 13 is an enlarged fragment of a portion of the cabinet shown in FIG. 8 and labeled 13; and,  
 FIG. 14 is an enlarged fragment of a portion of the cabinet shown in FIG. 8 and labeled 14.

The broken lines show environmental subject matter and form no part of the claimed design. The fragmentary showing of wood grain in FIGS. 1-4 and 8-11 and shown in detail in FIGS. 5-7 and 12-14 is understood to be repeated throughout the surfaces shown. The second embodiment is shown with symbolic breaks in height in FIGS. 8, 10, and 11, and those portions of the article between the break lines form no part of the claimed design.

**1 Claim, 14 Drawing Sheets**





(56)

References Cited

U.S. PATENT DOCUMENTS

D141,374 S 5/1945 Miller  
 D167,392 S 8/1952 Carr  
 2,773,729 A \* 12/1956 Derman ..... A47B 47/03  
 312/257.1  
 D188,197 S 6/1960 Swarts et al.  
 D190,179 S 4/1961 Swarts et al.  
 3,023,068 A \* 2/1962 Haag Theodore T .....  
 A47B 47/03  
 312/263  
 D226,831 S 5/1973 Allen  
 D251,885 S 5/1979 Tebbe  
 D271,259 S 11/1983 Smith, Jr.  
 D272,495 S 2/1984 Kemp, III  
 D272,497 S 2/1984 Kemp, III  
 D275,435 S 9/1984 Adkinson  
 4,793,667 A 12/1988 Gilliom  
 D311,101 S 10/1990 Pauer  
 D347,751 S 6/1994 Ball  
 D352,607 S 11/1994 Woudstra  
 5,368,380 A \* 11/1994 Mottmiller ..... A47B 47/00  
 312/111  
 D373,491 S 9/1996 Walters, III  
 D378,032 S 2/1997 Rosebrock  
 D382,139 S 8/1997 Palka  
 D384,223 S 9/1997 Palka  
 D385,723 S 11/1997 Palka  
 D385,724 S 11/1997 Palka  
 D392,477 S \* 3/1998 De Blaay ..... D6/671.1  
 D403,529 S 1/1999 De Blaay  
 D410,156 S \* 5/1999 Cohen ..... D6/671.1  
 D424,832 S 5/2000 Lacroix  
 D437,150 S 2/2001 Cain  
 D445,596 S 7/2001 Stout  
 6,364,440 B2 4/2002 Donahue  
 D465,105 S 11/2002 Tobin, Jr.  
 D469,275 S 1/2003 McDaniel  
 D473,401 S 4/2003 de Blois  
 D494,774 S 8/2004 de Blois  
 D499,275 S \* 12/2004 Grosfillex ..... D6/671.1  
 D499,276 S \* 12/2004 Grosfillex ..... D6/671.1  
 D501,616 S \* 2/2005 Walker ..... D6/671.1  
 D508,347 S 8/2005 Juneau  
 D511,425 S 11/2005 Katz  
 D542,057 S 5/2007 Juneau  
 D549,488 S \* 8/2007 Brimacombe ..... D6/671.1  
 D553,389 S \* 10/2007 Marcus ..... D6/671.1  
 D560,929 S 2/2008 Woodward  
 D564,254 S 3/2008 Heublein  
 D609,936 S \* 2/2010 Haimoff ..... D6/671.1  
 D646,080 S \* 10/2011 Clegg ..... D6/671.1  
 D667,653 S 9/2012 Lenney  
 D667,654 S 9/2012 Lenney  
 D722,241 S 2/2015 Chen  
 D728,082 S 4/2015 Sukhera  
 D767,914 S 10/2016 Burden  
 D775,886 S 1/2017 Burden  
 D790,887 S 7/2017 Everson  
 D808,701 S 1/2018 Burden  
 D818,297 S 5/2018 Burden  
 D818,745 S 5/2018 Hannoosh  
 D828,056 S \* 9/2018 Chiao ..... D6/671.1  
 D836,362 S 12/2018 Davis  
 D843,127 S 3/2019 Altemimei  
 D853,146 S 7/2019 Lee  
 D856,039 S 8/2019 Parikh  
 D867,027 S 11/2019 Gelman  
 D867,030 S 11/2019 Gelman  
 10,925,395 B2 \* 2/2021 Langbert ..... A47B 61/00

OTHER PUBLICATIONS

Unknown, 19th Century English Anglo Chinese Teak Campaign Style Desk / Chest / circa 1860-1880, downloaded from [https://www.1stdibs.com/furniture/storage-case-pieces-secretaires/19th-](https://www.1stdibs.com/furniture/storage-case-pieces-secretaires/19th-century-english-anglo-chinese-teak-campaign-style-desk-chest/id-f_1204396/)

[https://www.1stdibs.com/furniture/storage-case-pieces/commodes-chests-of-drawers/antique-english-figured-mahogany-military-campaign-style-chest/id-f\\_13423711/](https://www.1stdibs.com/furniture/storage-case-pieces/commodes-chests-of-drawers/antique-english-figured-mahogany-military-campaign-style-chest/id-f_13423711/).

Unknown, Early 20th century English. Bracket base design inspiration, downloaded from [https://www.1stdibs.com/furniture/storage-case-pieces/commodes-chests-of-drawers/antique-english-figured-mahogany-military-campaign-style-chest/id-f\\_13423711/](https://www.1stdibs.com/furniture/storage-case-pieces/commodes-chests-of-drawers/antique-english-figured-mahogany-military-campaign-style-chest/id-f_13423711/).

Unknown, Antique English Figured Mahogany Military or Campaign Style Chest—1850-1865, downloaded from [https://www.1stdibs.com/furniture/storage-case-pieces/commodes-chests-of-drawers/mahogany-campaign-style-chest-drawers/id-f\\_4169443/](https://www.1stdibs.com/furniture/storage-case-pieces/commodes-chests-of-drawers/mahogany-campaign-style-chest-drawers/id-f_4169443/).

Unknown, Harrod's London Kennedy Furniture Campaign, downloaded from [https://www.1stdibs.com/furniture/storage-case-pieces/bookcases/harrods-london-kennedy-furniture-campaign-mahogany-cupboard-bookcase-drawers/id-f\\_14132391/](https://www.1stdibs.com/furniture/storage-case-pieces/bookcases/harrods-london-kennedy-furniture-campaign-mahogany-cupboard-bookcase-drawers/id-f_14132391/).

Unknown, Antique Campaign Style Chest of Drawers or Dresser—1863 (The back of the case is lined with a local Birmingham England newspaper, dated 1863), downloaded from [https://www.1stdibs.com/furniture/storage-case-pieces/commodes-chests-of-drawers/antique-campaign-style-chest-drawers-dresser/id-f\\_7788843/](https://www.1stdibs.com/furniture/storage-case-pieces/commodes-chests-of-drawers/antique-campaign-style-chest-drawers-dresser/id-f_7788843/).

Unknown, 19th Century English Victorian Campaign Style Secrétaire Chest, downloaded from [https://www.1stdibs.com/furniture/storage-case-pieces/commodes-chests-of-drawers/english-victorian-campaign-style-secretaire-chest/id-f\\_11379051/](https://www.1stdibs.com/furniture/storage-case-pieces/commodes-chests-of-drawers/english-victorian-campaign-style-secretaire-chest/id-f_11379051/).

Unknown, Kaplan Furniture—Pair of Midcentury Campaign Style Nightstands, downloaded from [https://www.1stdibs.com/furniture/more-furniture-collectibles/bedroom-furniture/night-stands/pair-of-midcentury-campaign-style-nightstands/id-f\\_17197411/](https://www.1stdibs.com/furniture/more-furniture-collectibles/bedroom-furniture/night-stands/pair-of-midcentury-campaign-style-nightstands/id-f_17197411/).

Unknown, 1970's Henredon Furniture—Campaign dresser in solid oak and oak veneers. Also note panel headboard with metal brackets, downloaded from [https://www.1stdibs.com/furniture/more-furniture-collectibles/bedroom-furniture/night-stands/pair-of-midcentury-campaign-style-nightstands/id-f\\_17197411/](https://www.1stdibs.com/furniture/more-furniture-collectibles/bedroom-furniture/night-stands/pair-of-midcentury-campaign-style-nightstands/id-f_17197411/).

Unknown, Campaign dresser in solid oak and oak veneers. This campaign style chest by Bernhardt was crafted in 1973, downloaded from <https://www.casavictoriala.com/blog/tag/Chest>.

Unknown, Pair of Vintage Campaigner Chests by Dixie on 1stdibs (20th Century), downloaded from [https://www.1stdibs.com/furniture/storage-case-pieces/commodes-chests-of-drawers/pair-of-vintage-campaigner-chests-dixie/id-f\\_13204361/](https://www.1stdibs.com/furniture/storage-case-pieces/commodes-chests-of-drawers/pair-of-vintage-campaigner-chests-dixie/id-f_13204361/).

Unknown, 1970 Dixie Campaigner Dresser (1970s), <https://www.varagesale.com/i/6epkgzz7-antique-1970-dixie-campaigner-reduced-credenza-dresser-changing-table>.

Unknown, Dixie Campaign style dresser, Unique by Ruth Rockville, MD (20th Century), downloaded from <https://attic.city/store/uniquebyruth>.

Unknown, Dixie Campaigner 5 Drawer Dresser, brass pulls hardware, dovetail (20th Century), downloaded from [https://www.auctionzip.com/auction-lot/DIXIE-CAMPAIGNER-5-Drawer-Dresser\\_43F42A1934/](https://www.auctionzip.com/auction-lot/DIXIE-CAMPAIGNER-5-Drawer-Dresser_43F42A1934/).

Unknown, Pair of vintage Campaign nightstands crafted in walnut with sleek modern form, brass Campaign hardware and block feet. Stamped "Campaigner" a division of Dixie furniture. Ca. 1960, downloaded from [https://www.1stdibs.com/furniture/more-furniture-collectibles/bedroom-furniture/night-stands/pair-of-campaign-style-nightstands/id-f\\_19731632/](https://www.1stdibs.com/furniture/more-furniture-collectibles/bedroom-furniture/night-stands/pair-of-campaign-style-nightstands/id-f_19731632/).

Unknown, Baker Furniture Hollywood Regency Campaign Walnut Highboy Dresser, Refinished (1960-1969), downloaded from [https://www.1stdibs.com/furniture/storage-case-pieces/dressers/baker-furniture-hollywood-regency-campaign-walnut-highboy-dresser-refinished/id-f\\_19785092/](https://www.1stdibs.com/furniture/storage-case-pieces/dressers/baker-furniture-hollywood-regency-campaign-walnut-highboy-dresser-refinished/id-f_19785092/).

Unknown, Campaign Style Chest of Drawers Made by Baker Furniture (1960's), downloaded from [https://www.1stdibs.com/furniture/storage-case-pieces/dressers/mid-century-wood-campaign-6-drawer-dresser-baker-furniture-co-brass-pulls/id-f\\_9818473/](https://www.1stdibs.com/furniture/storage-case-pieces/dressers/mid-century-wood-campaign-6-drawer-dresser-baker-furniture-co-brass-pulls/id-f_9818473/).

Unknown, Mid-century Wood Campaign 6 Drawer Dresser Baker Furniture Co with Brass Pulls (1960's), downloaded from [https://www.1stdibs.com/furniture/storage-case-pieces/dressers/mid-century-wood-campaign-6-drawer-dresser-baker-furniture-co-brass-pulls/id-f\\_9818473/](https://www.1stdibs.com/furniture/storage-case-pieces/dressers/mid-century-wood-campaign-6-drawer-dresser-baker-furniture-co-brass-pulls/id-f_9818473/).



(56)

## References Cited

## OTHER PUBLICATIONS

Unknown, Campaign Style Desk by National Mt. Airy (1970's), downloaded from [https://www.1stdibs.com/furniture/storage-case-pieces/desks/campaign-style-desk-national-mt-airy/id-f\\_17947252/](https://www.1stdibs.com/furniture/storage-case-pieces/desks/campaign-style-desk-national-mt-airy/id-f_17947252/).

Unknown, Pair of Mt Airy Walnut Campaign Style Nightstands (1970-1979), downloaded from [https://www.1stdibs.com/furniture/more-furniture-collectibles/bedroom-furniture/night-stands/pair-of-mt-airy-walnut-campaign-style-nightstands/id-f\\_3437562/](https://www.1stdibs.com/furniture/more-furniture-collectibles/bedroom-furniture/night-stands/pair-of-mt-airy-walnut-campaign-style-nightstands/id-f_3437562/).

Unknown, National Mt. Airy Campaign Style Cherry Chest Nightstand (1980's), downloaded from <https://store.buckscountystatetraders.com/collections/nightstands-chests/products/national-mt-airy-campaign-style-cherry-chest-nightstand>.

Unknown, National Mt. Airy Campaign Style Tall Seven Drawer Dresser (20th Century), downloaded from <https://attic.city/item/1S8/national-mt.-airy-campaign-style-tall-seven-drawer-dresser/urban-americana>.

Unknown, Vintage Campaign Style Nightstand by National Mt. Airy (20th Century), downloaded from <https://www.ebth.com/items/5622351-vintage-campaign-style-nightstand-by-national-mt-airy>.

Unknown, 5346400: Colonial Style Camphor Wood Campaign Secretary by National Mt. Airy FR3SH (20th Century), downloaded from [https://bid.igavelauctions.com/Bidding.ta?\\_function=detail&Auction\\_uid1=5346400](https://bid.igavelauctions.com/Bidding.ta?_function=detail&Auction_uid1=5346400).

Unknown, Lane Mid Century Modern Asian Campaign Long Dresser (20th Century), downloaded from <https://www.loveseat.com/a/lane-campaign-henredon-persian-rugs-asian/>.

Unknown, Lane Mid Century Modern Asian Campaign Nightstand (20th Century), downloaded from <https://www.loveseat.com/a/lane-campaign-henredon-persian-rugs-asian/>.

Unknown, Lane Mid Century Modern Asian Campaign Tall Dresser (20th Century), downloaded from <https://www.loveseat.com/a/lane-campaign-henredon-persian-rugs-asian/>.

Unknown, Campaign Style Mahogany Nightstands or Chests—A Pair (20th Century), downloaded from <https://www.chairish.com/product/2439367/pair-of-campaign-style-mahogany-nightstands-or-chests>.

Unknown, Vintage Headboard Panel Mid Century Modern Campaign (20th Century), downloaded from <https://www.etsy.com/hk-en/listing/555709354/vintage-headboard-panel-mid-century>.

Unknown, Vintage Headboard Panel, downloaded from <http://www.appie.org/vanet/orange/page/84/>.

Unknown, 1970's Henredon Furniture—Campaign dresser in solid oak and oak veneers, downloaded from <https://www.chairish.com/search?g=Henredon+Campaign+Style+Headboard>.

Unknown, Henredon Campaign 1970's Pair of Campaign Style Display Cabinets by Henredon, downloaded from [https://www.1stdibs.com/furniture/storage-case-pieces/cabinets/pair-of-campaign-style-display-cabinets-henredon/id-f\\_6750843](https://www.1stdibs.com/furniture/storage-case-pieces/cabinets/pair-of-campaign-style-display-cabinets-henredon/id-f_6750843).

Unknown, Vermont Wood Studios shaker style cabinet (20th Century), downloaded from <https://vermontwoodstudios.com/products/shaker-bookcase-full-glass-doors>.

Unknown, Henredon Artefacts 1970's, Single Drawer Nightstand (20th Century), downloaded from <https://www.loveseat.com/i/pair-of-henredon-artefacts-nightstands>.

Unknown, Henredon Artefacts 1970's, downloaded from [https://www.liveauctioneers.com/item/31072932\\_5-piece-henredon-artefacts-line-bedroom-set-consisting](https://www.liveauctioneers.com/item/31072932_5-piece-henredon-artefacts-line-bedroom-set-consisting).

Unknown, Mid Century Antique (20th Century), downloaded from [https://www.1stdibs.com/furniture/more-furniture-collectibles/bedroom-furniture/night-stands/american-mid-century-nightstand/id-f\\_136709/](https://www.1stdibs.com/furniture/more-furniture-collectibles/bedroom-furniture/night-stands/american-mid-century-nightstand/id-f_136709/).

Unknown, Henredon Artefacts 1970's, downloaded from [https://www.auctionzip.com/auction-lot/Henredon-Artefacts-Campaign-Dresser\\_7F342BC8F7/](https://www.auctionzip.com/auction-lot/Henredon-Artefacts-Campaign-Dresser_7F342BC8F7/).

Unknown, Henredon Artefacts 1970's, downloaded from <https://www.chairish.com/product/2571293/henredon-queen-size-campaign-style-headboard>.

Unknown, Henredon Artefacts 1970's, <http://boydsfinefurnishings.com/sold-out-henredon-artefacts-campaign-style-double-dresser-credenza/>.

Unknown, Theodore Alexander Echoes Collection; Solid Oak and oak veneers; Designed by Thad and Chris Bergelin; Introduced Oct. 2017—Currently in market, downloaded from <https://www.theodorealexander.com/product-detail/fc599826-f8da-4a73-b5a8-26392a4a36bc>.

Unknown, Jonathan Charles Furniture Campaign Collection; Pre-2018 Currently in market, downloaded from [https://www.jonathancharlesfurniture.com/catalogue/index.php?route=product/collection&collection\\_id=175](https://www.jonathancharlesfurniture.com/catalogue/index.php?route=product/collection&collection_id=175).

Unknown, Williams-Sonoma Home Campaign Collection; Pre-2018 Currently in market, downloaded from <https://www.williams-sonoma.com/shop/home-shop-the-look-2/shop-the-look-bohemian-luxury/furniture-campaign-collection/>.

Unknown, Theodore Alexander—Echoes Pre-2018, downloaded at <https://www.martyrae.com/theodore-alexander-sayer/cb60023-c062-991/iteminformation.aspx>.

Unknown, Drexel Heritage Consensus Campaign Dresser circa 1970s, downloaded at <https://www.furnishmevintage.com/drexel-consensus-campaign-dresser/>.

Unknown, Theodore Alexander SDayer Chest, pre-2018, downloaded at <https://www.brassandburl.com/sayer-campaign-chest-dark-echo.html>.

Unknown, Bassick Sack—1960s Catalog, Biesenstock Library.

Unknown, Henredon Artefacts circa 1970s, downloaded from [https://www.1stdibs.com/furniture/storage-case-pieces/dressers/campaign-style-seven-drawer-dresser-henredon-artefacts-collection/id-f\\_3486692/](https://www.1stdibs.com/furniture/storage-case-pieces/dressers/campaign-style-seven-drawer-dresser-henredon-artefacts-collection/id-f_3486692/).

Unknown, Henredon Artefacts circa 1970s, downloaded from <https://www.chairish.com/product/1409564/henredon-artefacts-campaign-style-brass-hardware-pulls>.

Unknown, A&H Bradd Gilrow Drop Handle Drawer Pull, downloaded from <https://ahbrass.co.uk/cupboard/cup-drawer-pulls/gilroy-drawer-pull-drop-handle>.

Unknown, Etsy—Henredon Artefacts, downloaded from [https://www.etsy.com/listing/604313108/26-37-brushed-gold-brass-drawer-pulls?ga\\_order=most\\_relevant&ga\\_search\\_type=all&ga\\_view\\_type=gallery&ga\\_search\\_query=henredon+artefacts&ref=sr\\_gallery-1-4&col=1](https://www.etsy.com/listing/604313108/26-37-brushed-gold-brass-drawer-pulls?ga_order=most_relevant&ga_search_type=all&ga_view_type=gallery&ga_search_query=henredon+artefacts&ref=sr_gallery-1-4&col=1).

Unknown, Richelieu Contemporary Metal Pull—23760, pre-2017, downloaded from <https://www.richelieu.com/us/en/category/decorative-hardware/cabinet-hardware-pulls-and-knobs/pulls/contemporary-metal-pull-23760/1005409?s=pull+64mm>.

Unknown, Horton Brass Drawer Pull (2012), downloaded from <https://www.horton-brasses.com/OFP-22.asp>.

Unknown, Antique Campaign Drop Pull, downloaded from <https://www.houseofantiquehardware.com/campaign-rope-3-inch-drop-pull>.

Unknown, Etsy Cabinet Door Handle, downloaded from <https://www.etsy.com/listing/721955708/25-375-kitchen-cabinet-door-handle-pull?gpla=1&gao=1&>.

Unknown, Home Depot product listing for Drawer Pull, downloaded from <https://www.homedepot.com/p/Liberty-External-Campaign-3-in-76mm-Center-to-Center-Bronze-with-Gold-Highlights-Drawer-Pull-P34967-VBG-C/304753902>.

Unknown, Horton Brass Drawer Pull (2013), downloaded from <https://www.horton-brasses.com/item.asp?PID=9400>.

Unknown, Harrod's London Kennedy Furniture Campaign (20th Century), downloaded from [https://www.1stdibs.com/furniture/storage-case-pieces/bookcases/harrods-london-kennedy-furniture-campaign-mahogany-cupboard-bookcase-drawers/id-f\\_14132391/](https://www.1stdibs.com/furniture/storage-case-pieces/bookcases/harrods-london-kennedy-furniture-campaign-mahogany-cupboard-bookcase-drawers/id-f_14132391/).

Unknown, 1970's Henredon Furniture—Campaign dresser in solid oak and oak veneers. Also note panel headboard with metal brackets, downloaded from [http://www.appie.org/ktm\\_cdn/he/henredon-bedroom-furniture-fine-vintage-artefacts-campaign\\_furniture-bedroom-idents.jpg](http://www.appie.org/ktm_cdn/he/henredon-bedroom-furniture-fine-vintage-artefacts-campaign_furniture-bedroom-idents.jpg).

Unknown, Mid 20th Century Vintage Headboard Panel Mid Century Modern Campaign (20th Century).

Unknown, Campaign Style Mahogany Nightstands or Chests—A Pair (20th Century).





FIG. 1

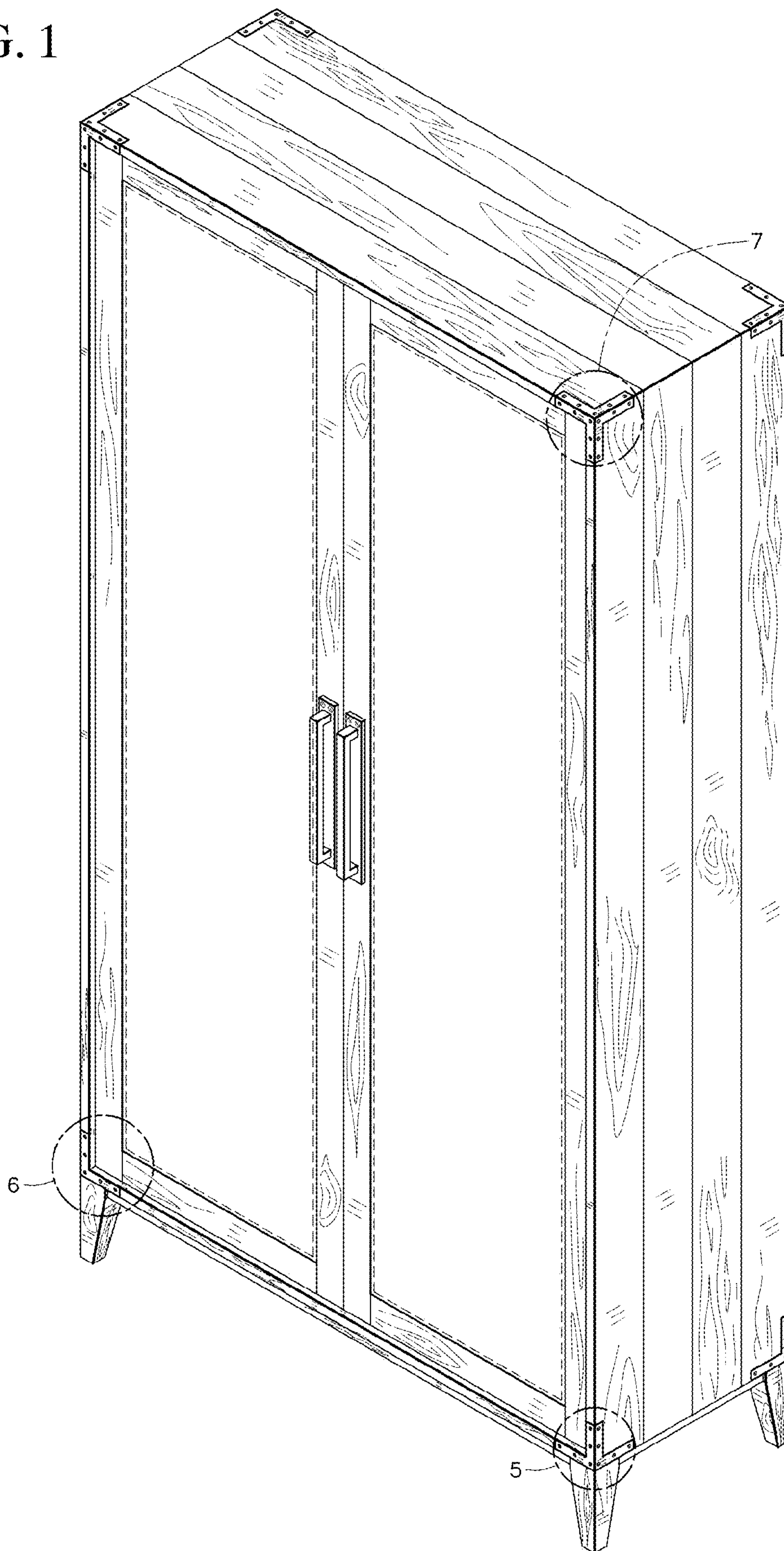




FIG. 2

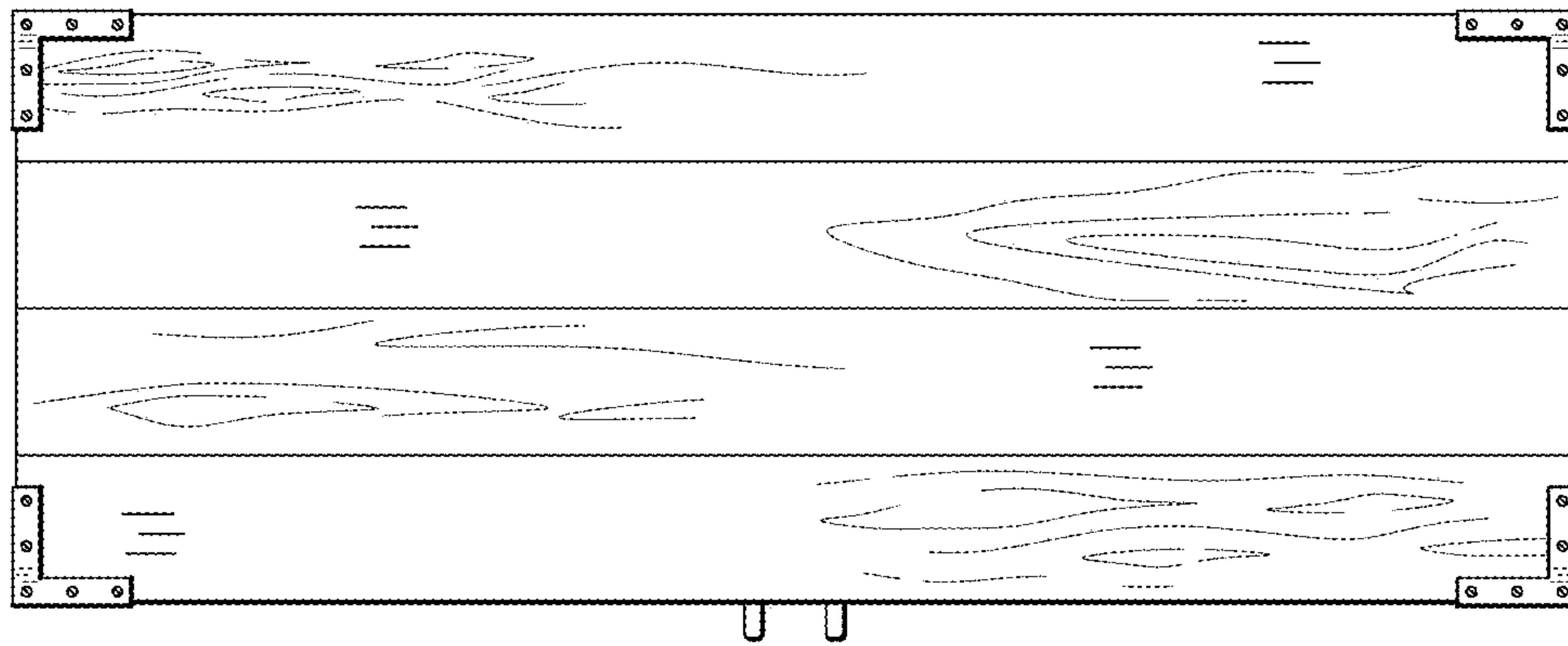


FIG. 3

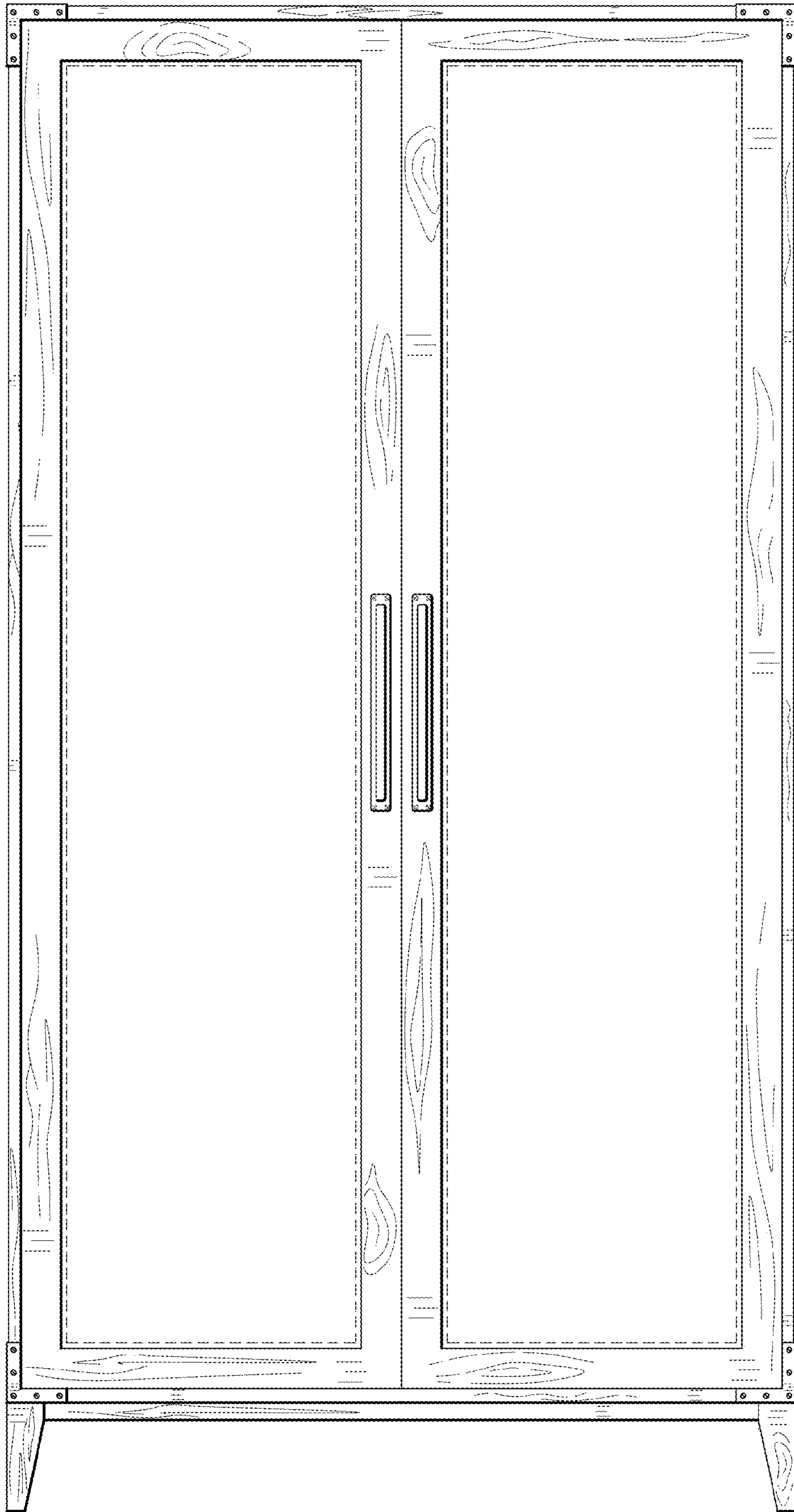


FIG. 4

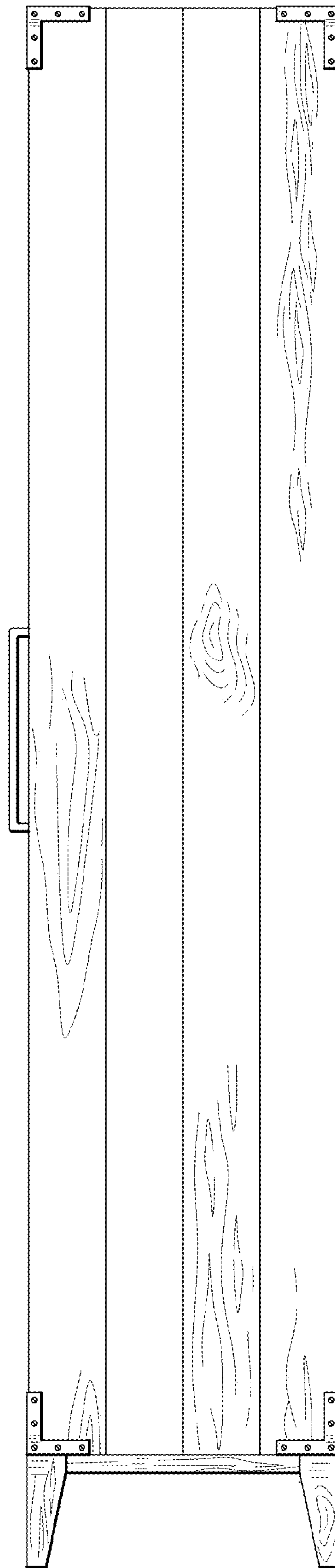




FIG. 5

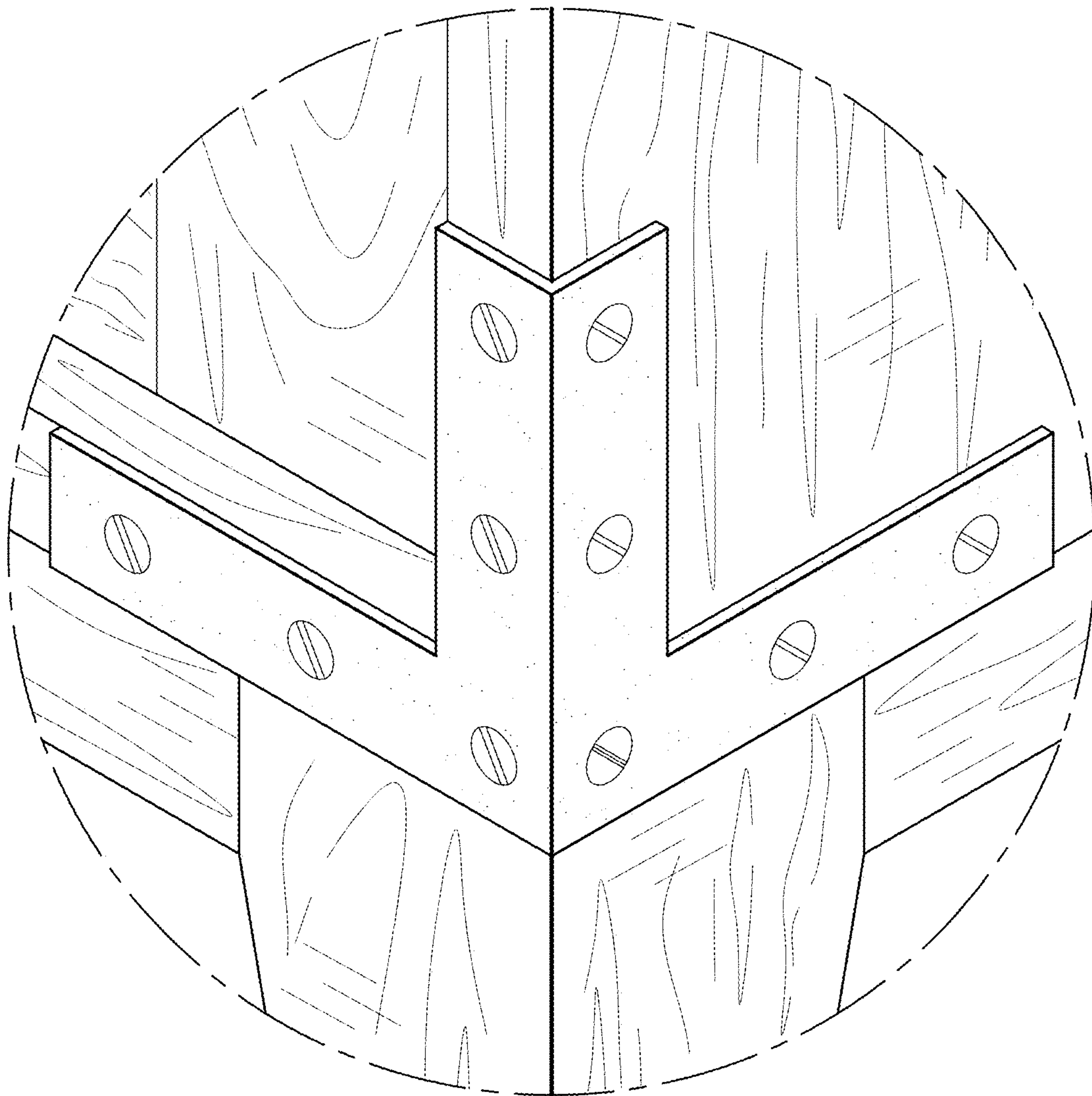


FIG. 6

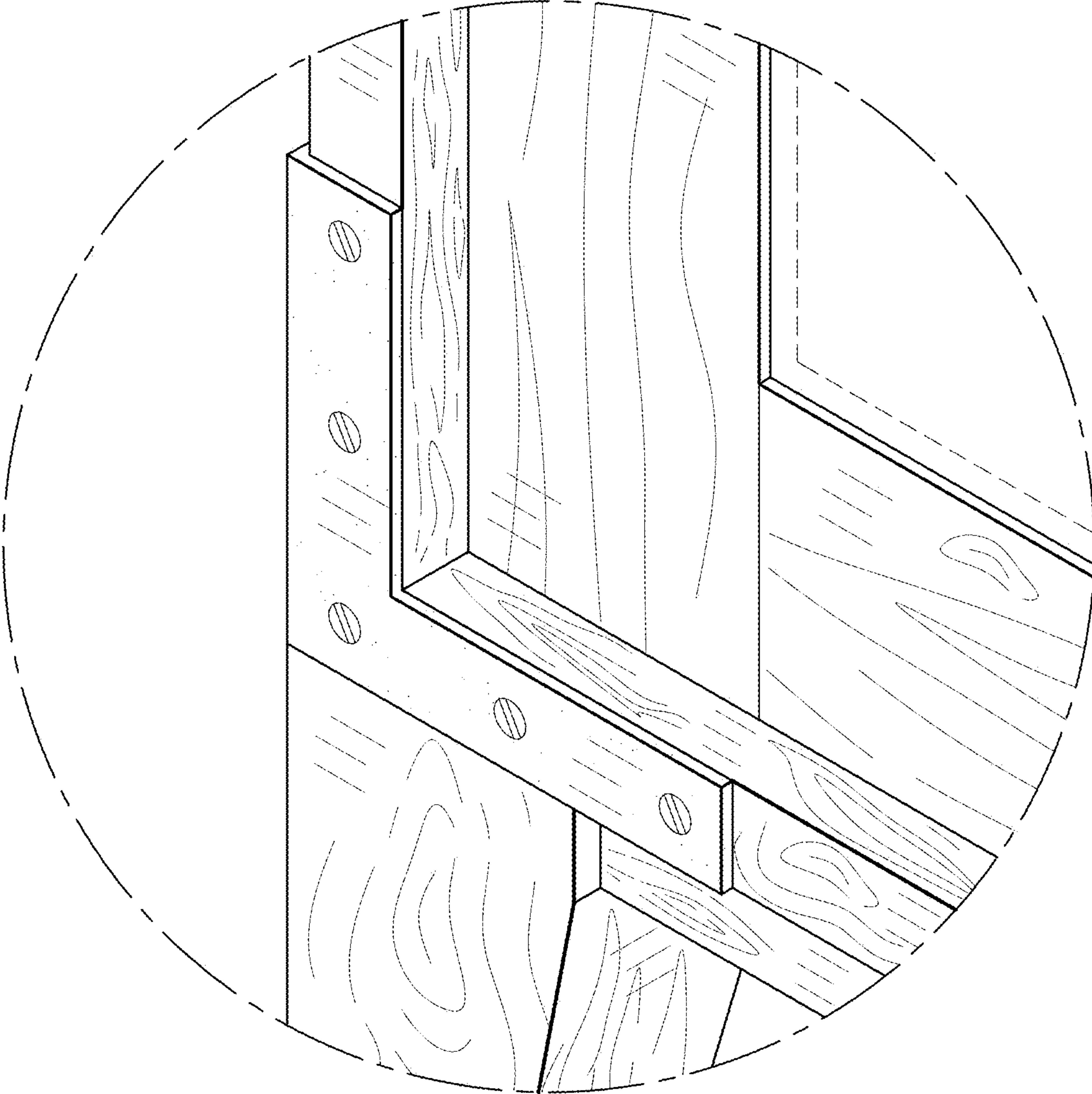




FIG. 7

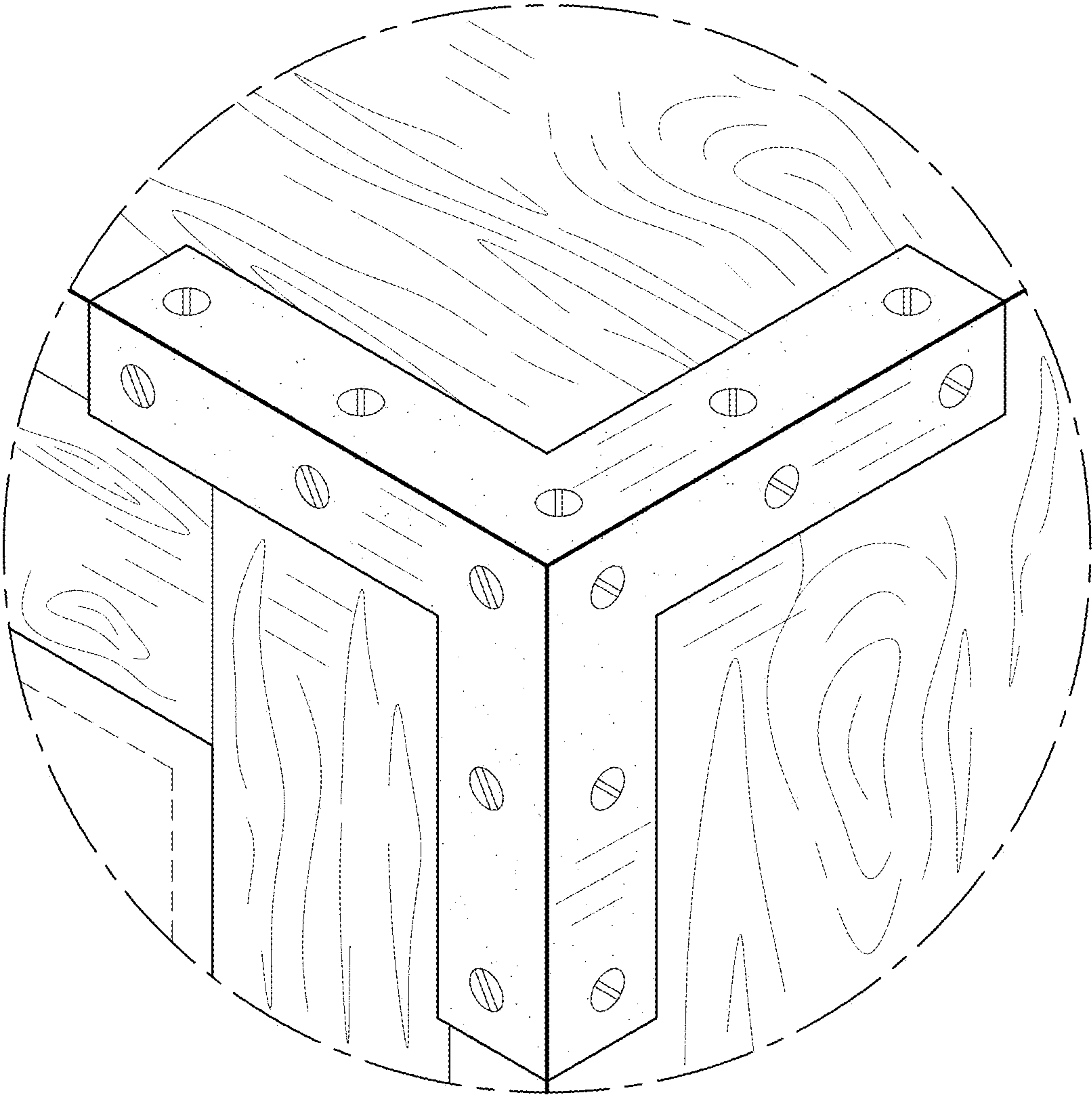


FIG. 8

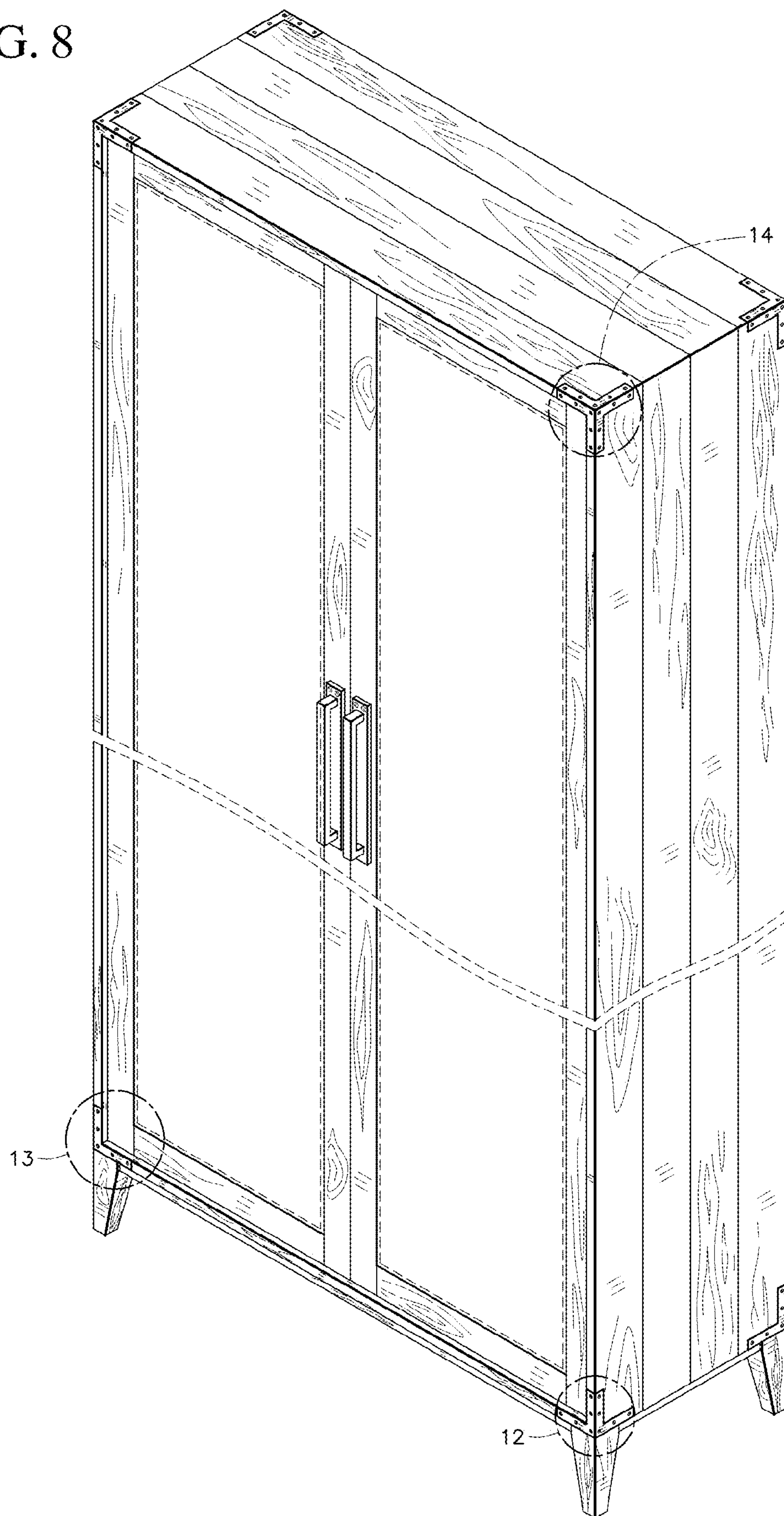




FIG. 9

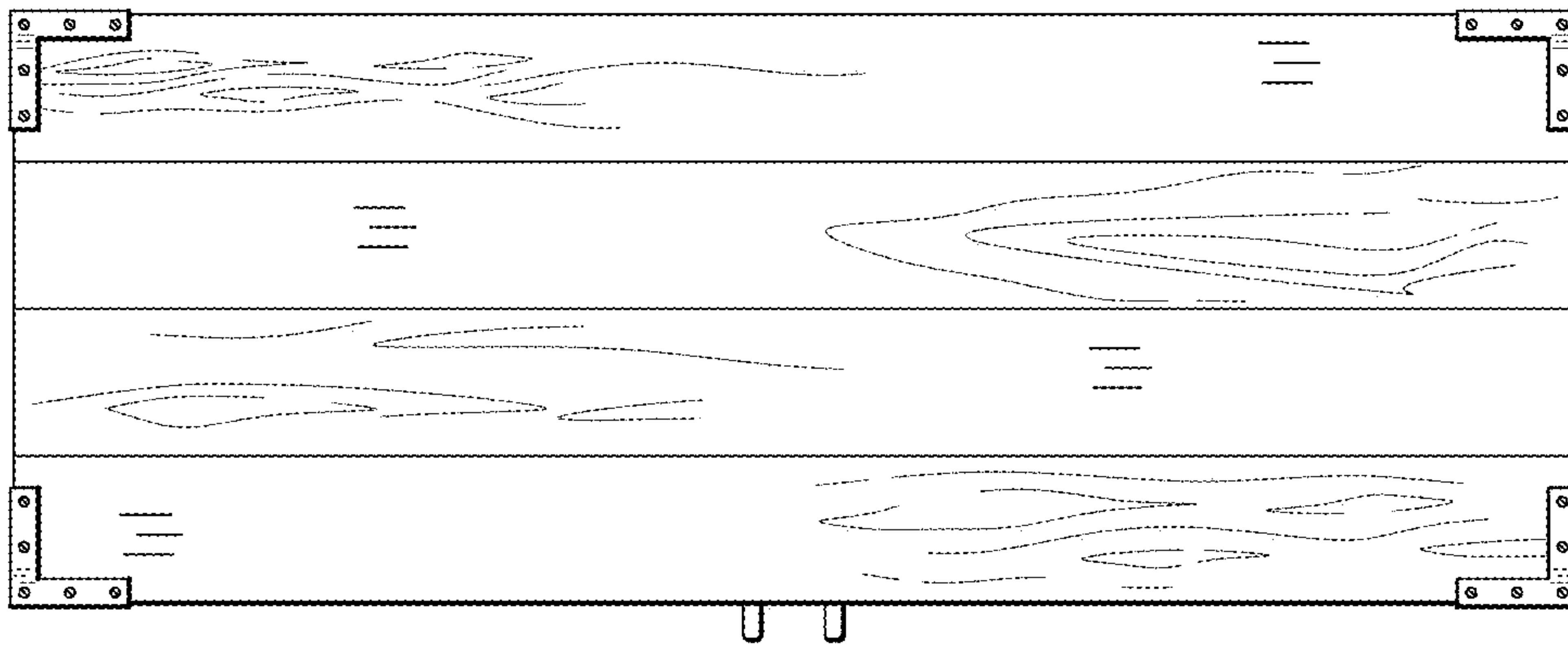


FIG. 10

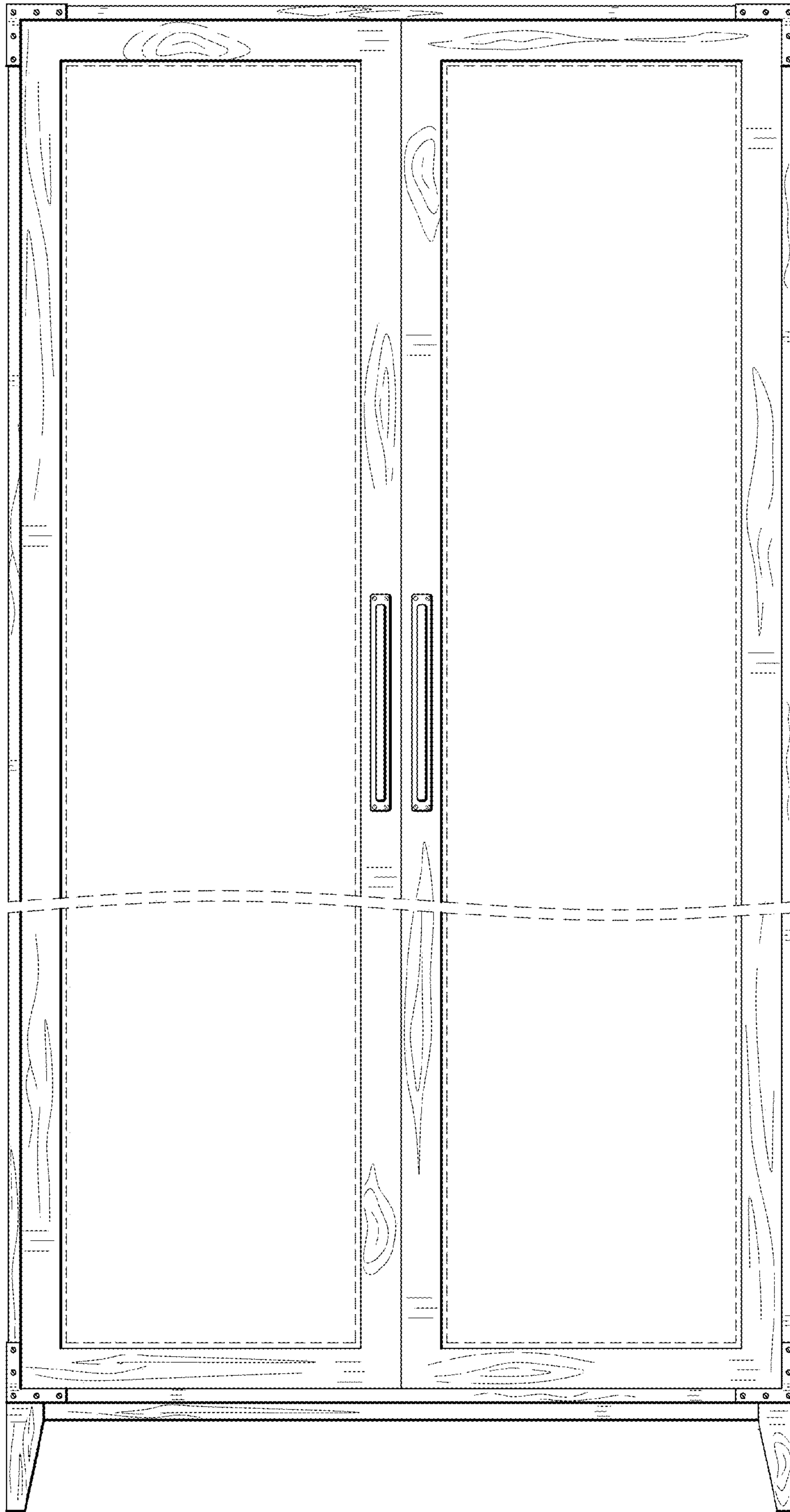




FIG. 11

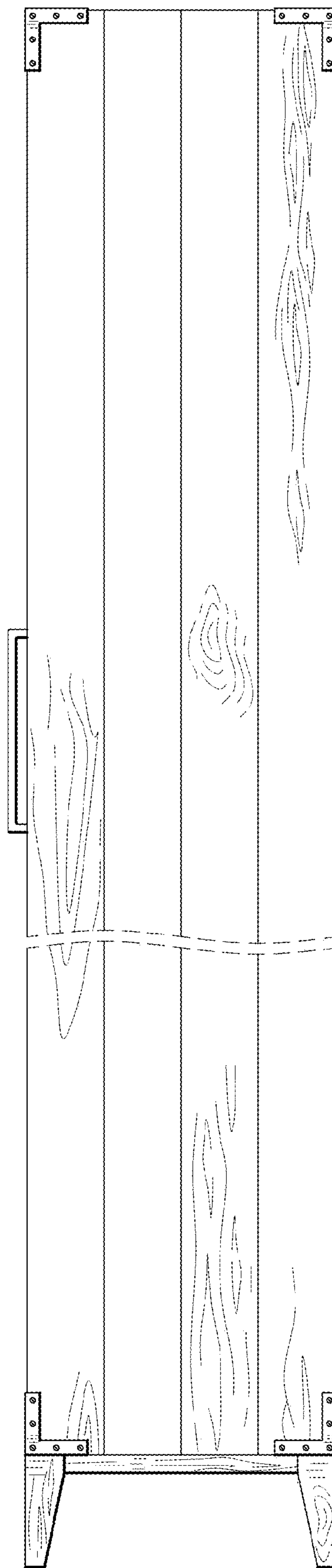


FIG. 12

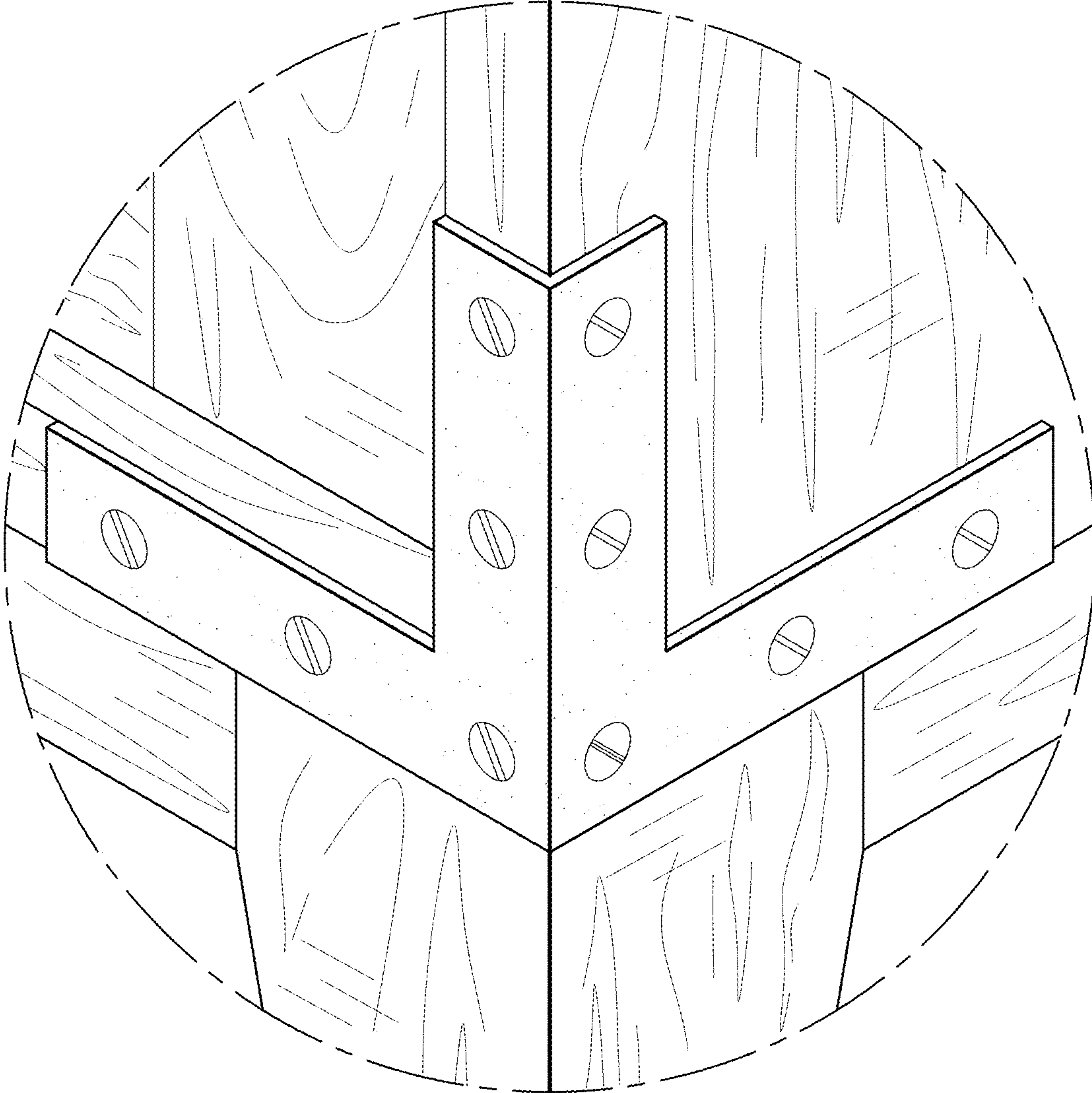




FIG. 13

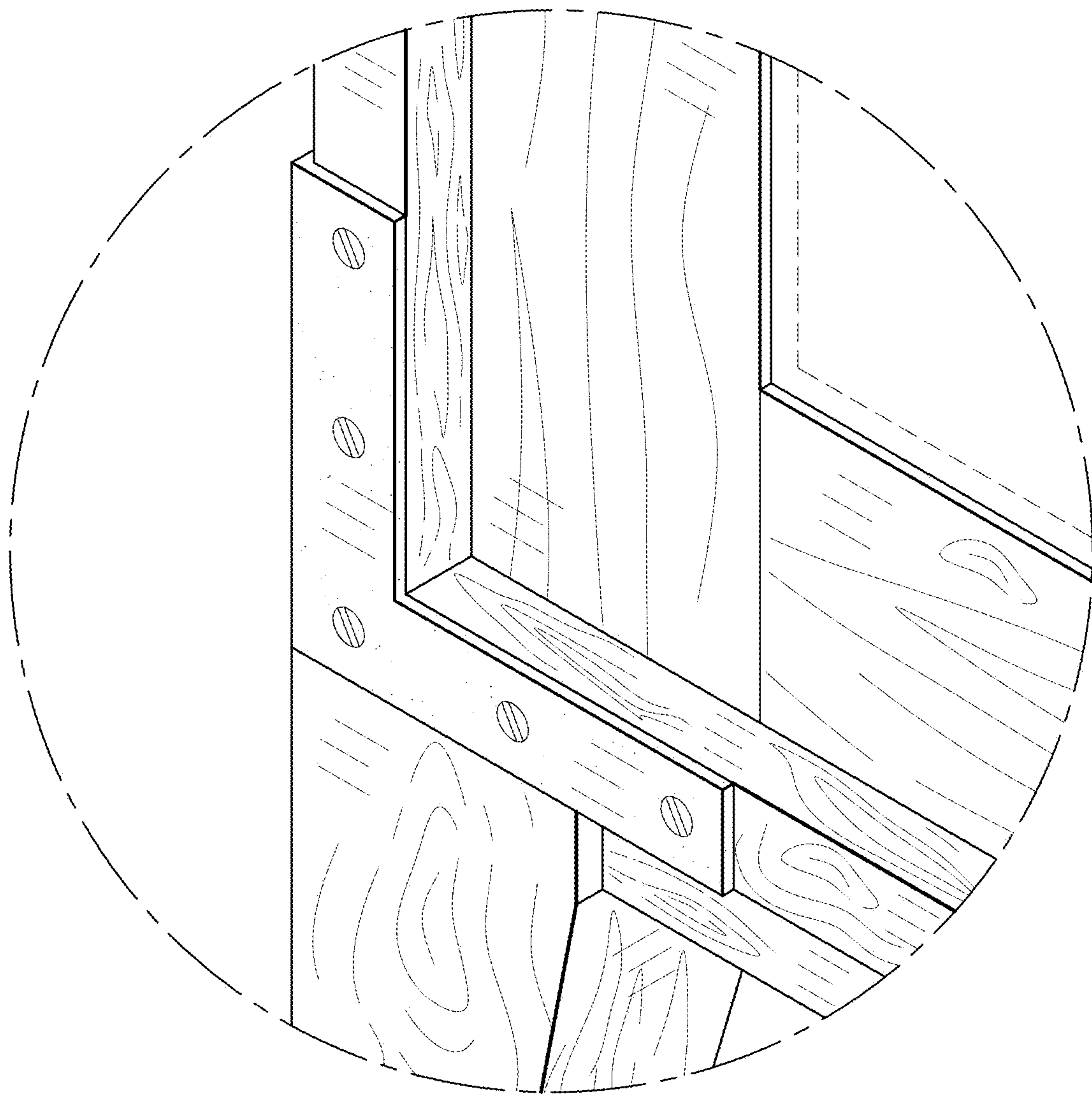


FIG. 14

