



US00D922802S

(12) **United States Design Patent** (10) **Patent No.:** **US D922,802 S**  
**Cai** (45) **Date of Patent:** **\*\* Jun. 22, 2021**

(54) **BATHROOM CABINET**

(71) Applicant: **Keqiang Cai**, Zhejiang (CN)

(72) Inventor: **Keqiang Cai**, Zhejiang (CN)

(\*\*) Term: **15 Years**

(21) Appl. No.: **29/766,914**

(22) Filed: **Jan. 19, 2021**

(51) **LOC (13) Cl.** ..... **06-04**

(52) **U.S. Cl.**  
USPC ..... **D6/662.1**

(58) **Field of Classification Search**  
USPC ..... D6/562, 657, 662, 662.1, 663, 664,  
D6/664.1, 671, 671.1, 671.2, 671.3,  
D6/671.4, 676, 676.1  
CPC ..... A47B 17/04; A47B 47/00; A47B 47/04;  
A47B 57/00; A47B 63/00; A47B 67/00;  
A47B 67/04; A47B 88/00; A47B 88/40;  
A47B 88/42; A47B 57/36; A47F 5/04;  
A47F 5/08

See application file for complete search history.

(56) **References Cited**

**U.S. PATENT DOCUMENTS**

D50,328 S	*	2/1917	Walrath	.....	D6/662.1
D91,017 S	*	11/1933	De Vries	.....	D6/657
D304,398 S	*	11/1989	Goetz	.....	D6/676.1
D364,767 S	*	12/1995	McLinden	.....	D6/562
D648,152 S	*	11/2011	Walker	.....	D6/662.1
D783,318 S		4/2017	Alvarez		
D817,512 S		5/2018	Menon et al.		

**OTHER PUBLICATIONS**

Ktaxon PVC Bathroom Storage Corner Floor Cabinet White, from walmart.com, Retrieved Date, Mar. 16, 2021, from https://www.walmart.com/ip/Ktaxon-PVC-Bathroom-Storage-Corner-Floor-Cabinet-White/485639478?wmlspartner=wlp&selectedSellerId=4647 (Year: 2021).\*

\* cited by examiner

*Primary Examiner* — Mimoso De

(74) *Attorney, Agent, or Firm* — ScienBiziP, P.C.

(57) **CLAIM**

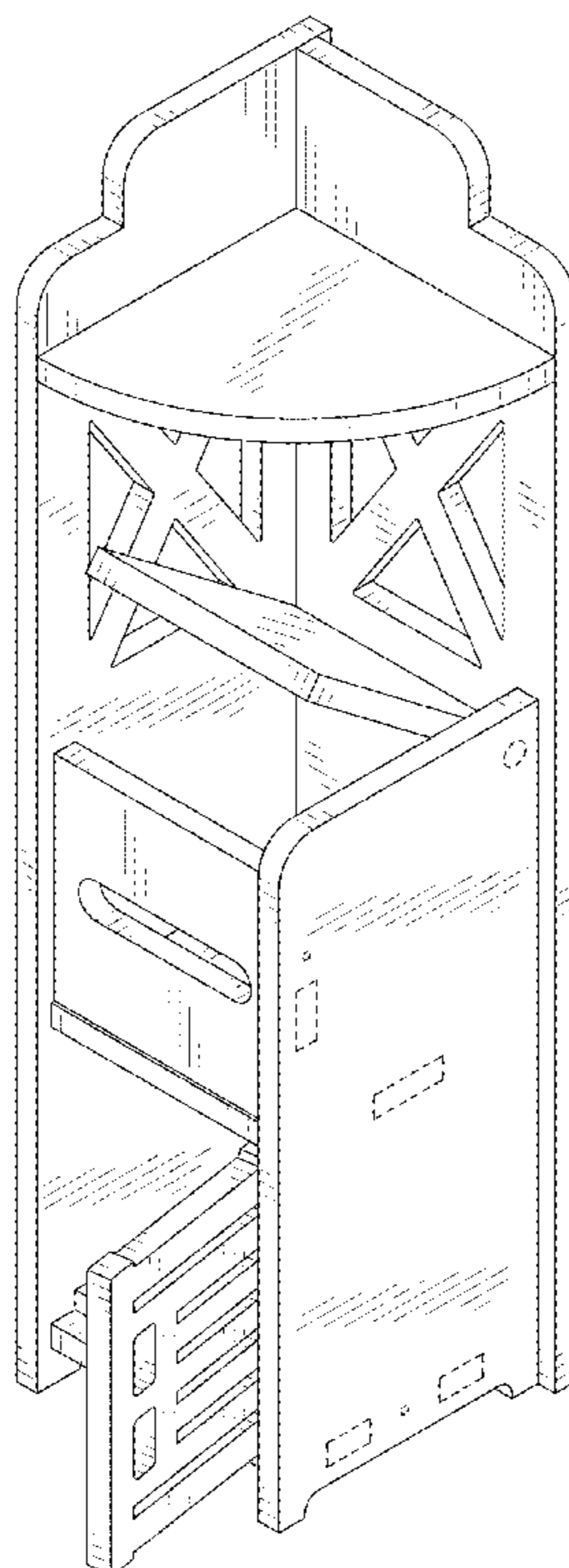
The ornamental design for a bathroom cabinet, as shown and described.

**DESCRIPTION**

FIG. 1 is a front, right, and top perspective view of a bathroom cabinet, showing my design.  
FIG. 2 is a front elevation view thereof.  
FIG. 3 is a rear elevation view thereof.  
FIG. 4 is a left side elevation view thereof.  
FIG. 5 is a right side elevation view thereof.  
FIG. 6 is a top plan view thereof.  
FIG. 7 is a bottom plan view thereof; and,  
FIG. 8 is a perspective view of the bathroom cabinet of FIG. 1 wherein an inter-panel and a door of the bathroom cabinet are open.

The broken lines shown in the drawings are included for the purpose of illustrating portions of the bathroom cabinet that form no part of the claimed design.

**1 Claim, 8 Drawing Sheets**



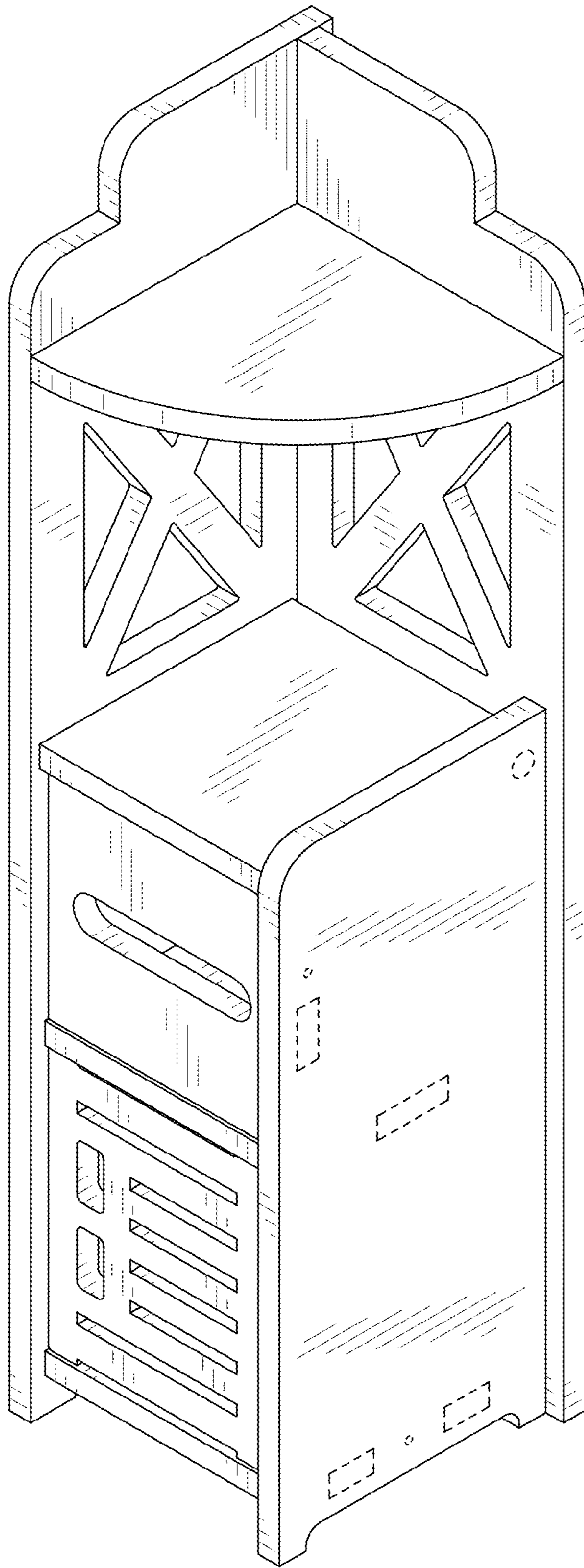


FIG. 1

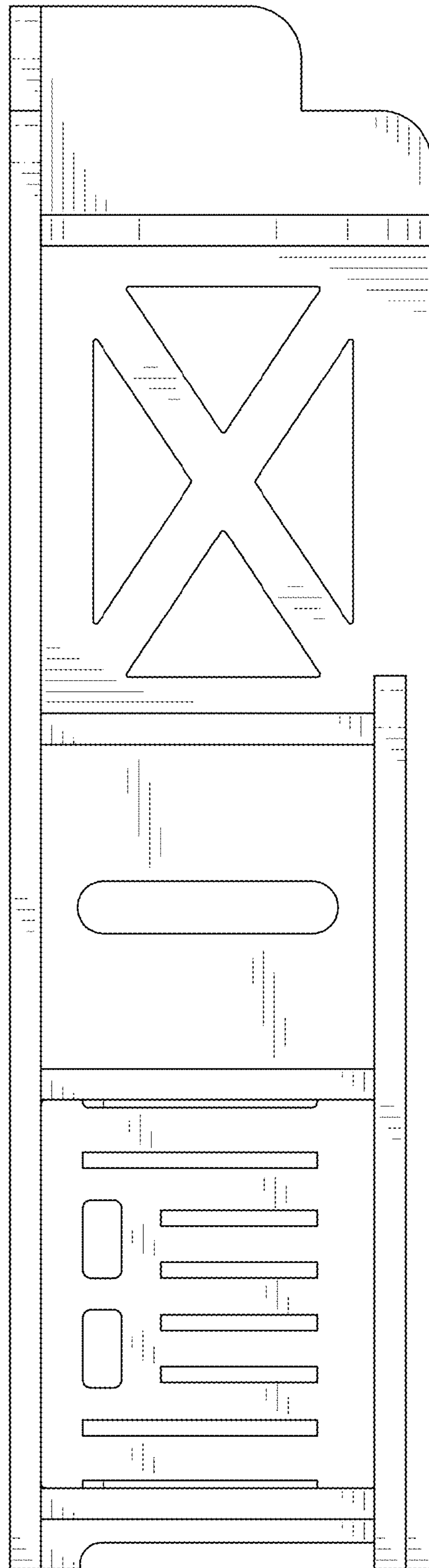


FIG. 2

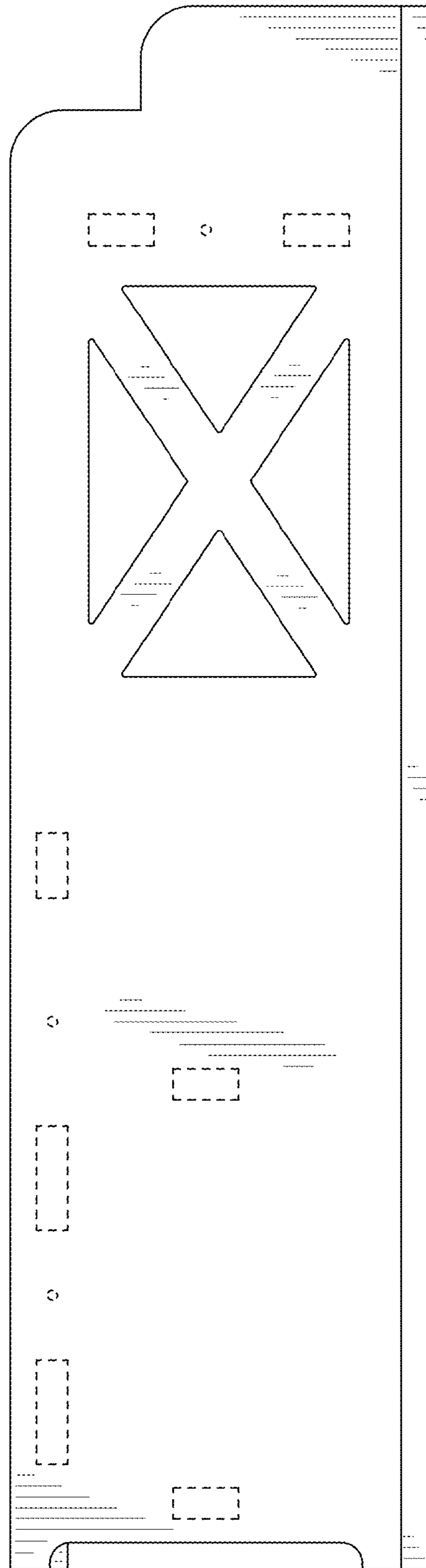


FIG. 3

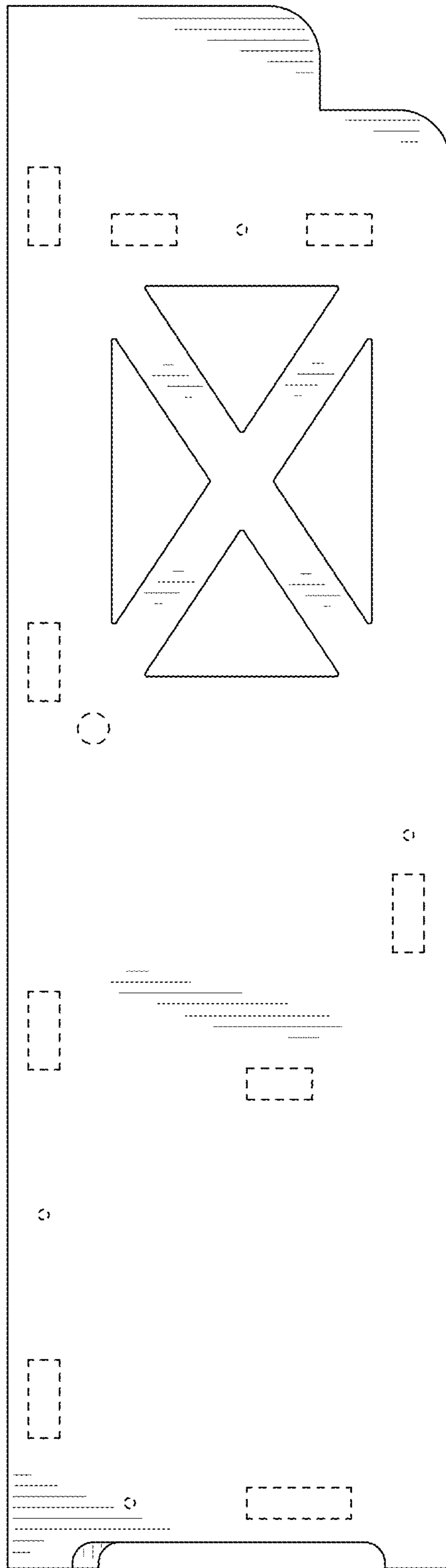


FIG. 4

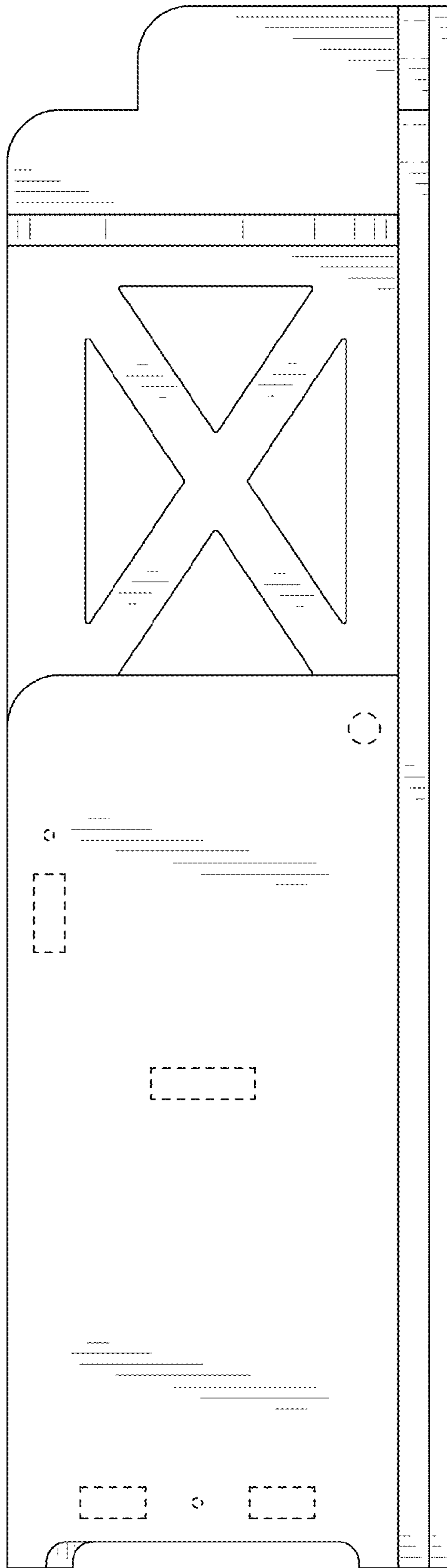


FIG. 5



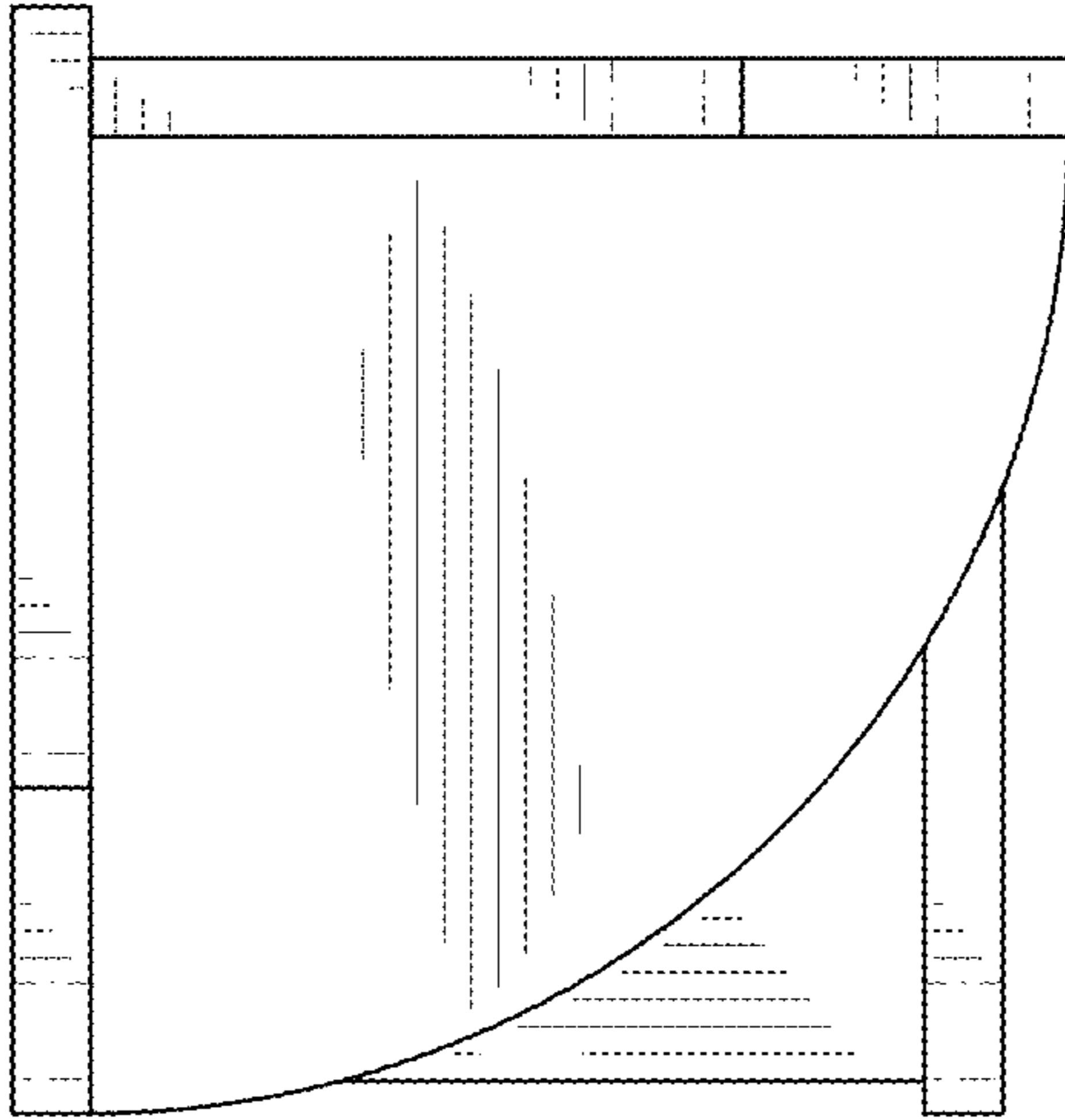


FIG. 6

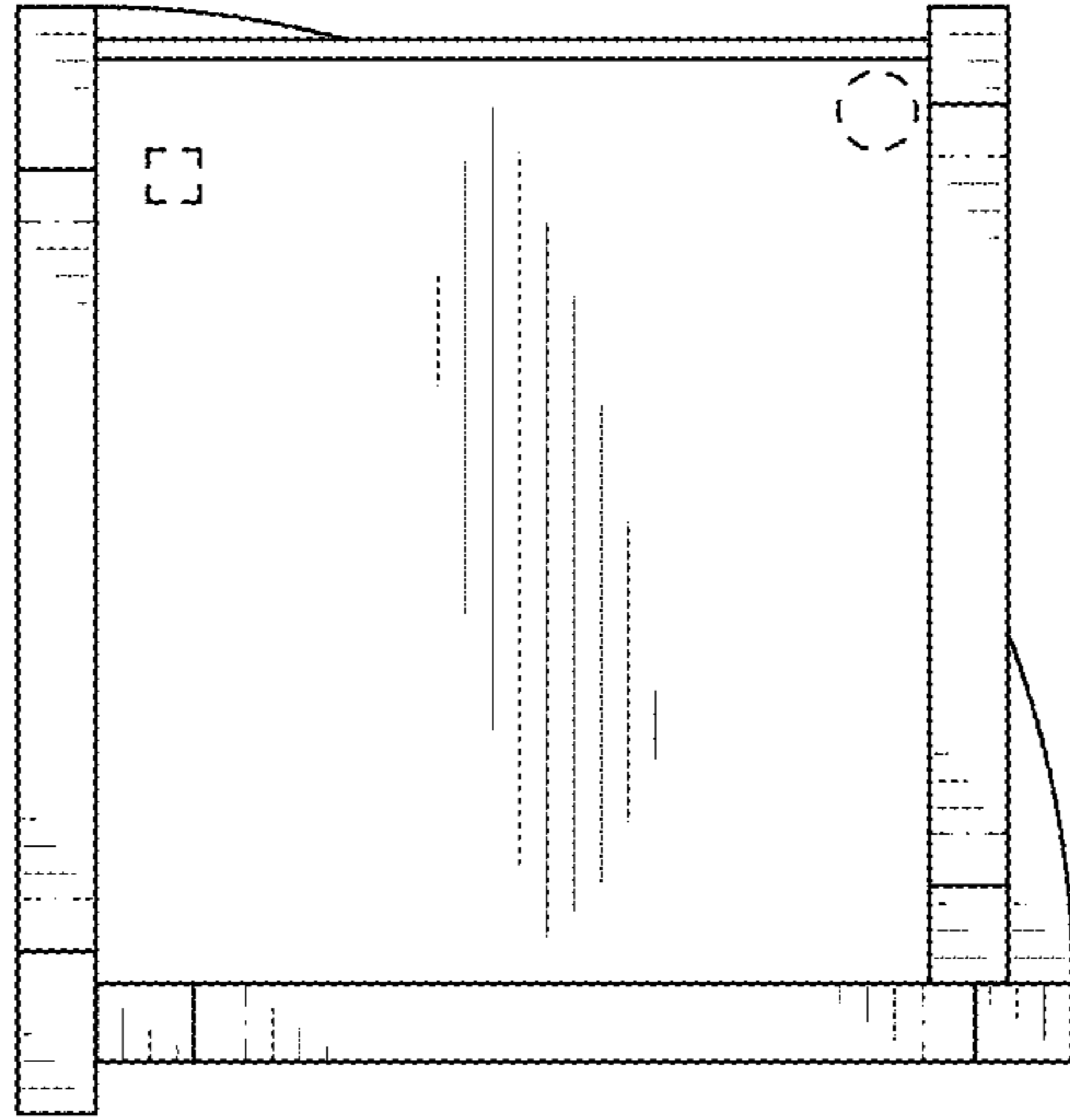


FIG. 7



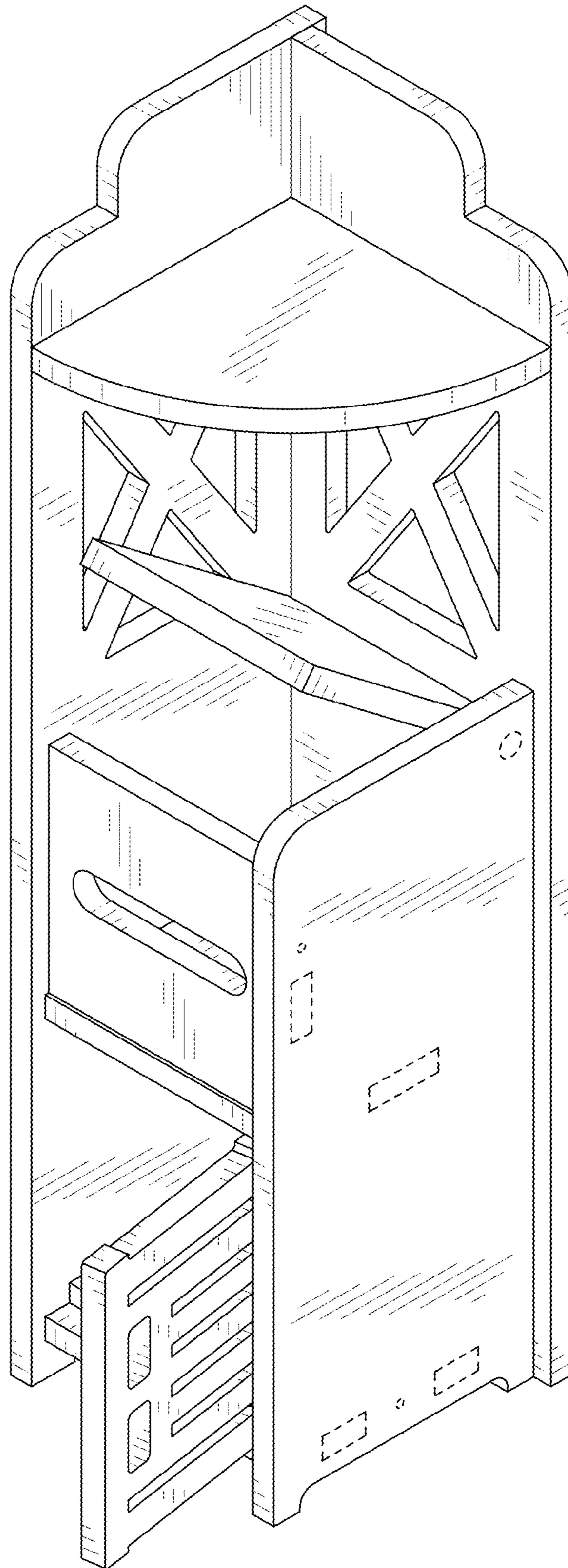


FIG. 8