



US00D922798S

(12) **United States Design Patent** (10) **Patent No.:** **US D922,798 S**
Packer et al. (45) **Date of Patent:** **** Jun. 22, 2021**

(54) **CONSOLE**
(71) Applicant: **WALKER EDISON FURNITURE COMPANY LLC**, Salt Lake City, UT (US)
(72) Inventors: **Richard Packer**, Kaysville, UT (US); **Tiffany Duhadway**, Salt Lake City, UT (US)

D66,028 S 11/1924 Lyons et al.
D66,889 S 3/1925 Schleicher
1,538,393 A 5/1925 Martin
D68,065 S 8/1925 Schleicher
D68,659 S 11/1925 Smith
D78,127 S 3/1929 Schleicher
D103,250 S 2/1937 Parrish
D120,370 S 5/1940 Bach

(Continued)

FOREIGN PATENT DOCUMENTS

(73) Assignee: **Walker Edison Furniture Company LLC**, West Jordan, UT (US)

CN 304163895 9/2017
CN 304770575 8/2018

(Continued)

(**) Term: **15 Years**

OTHER PUBLICATIONS

(21) Appl. No.: **29/743,416**

U.S. Appl. No. 29/611,963, filed Jul. 27, 2017, Davis.

(22) Filed: **Jul. 21, 2020**

(Continued)

(51) **LOC (13) Cl.** **06-04**

(52) **U.S. Cl.**
USPC **D6/657**

(58) **Field of Classification Search**
USPC D6/657, 660, 661, 662, 663, 664, 671, D6/671.1, 671.2, 671.3, 671.4
CPC A47B 17/04; A47B 47/00; A47B 47/04; A47B 57/00; A47B 67/00; A47B 67/04; A47B 88/00; A47B 88/40; A47B 2220/01; A47B 85/00

See application file for complete search history.

Primary Examiner — Mimosa De
(74) *Attorney, Agent, or Firm* — Workman Nydegger

(57) **CLAIM**

The ornamental design for a console, as shown and described.

DESCRIPTION

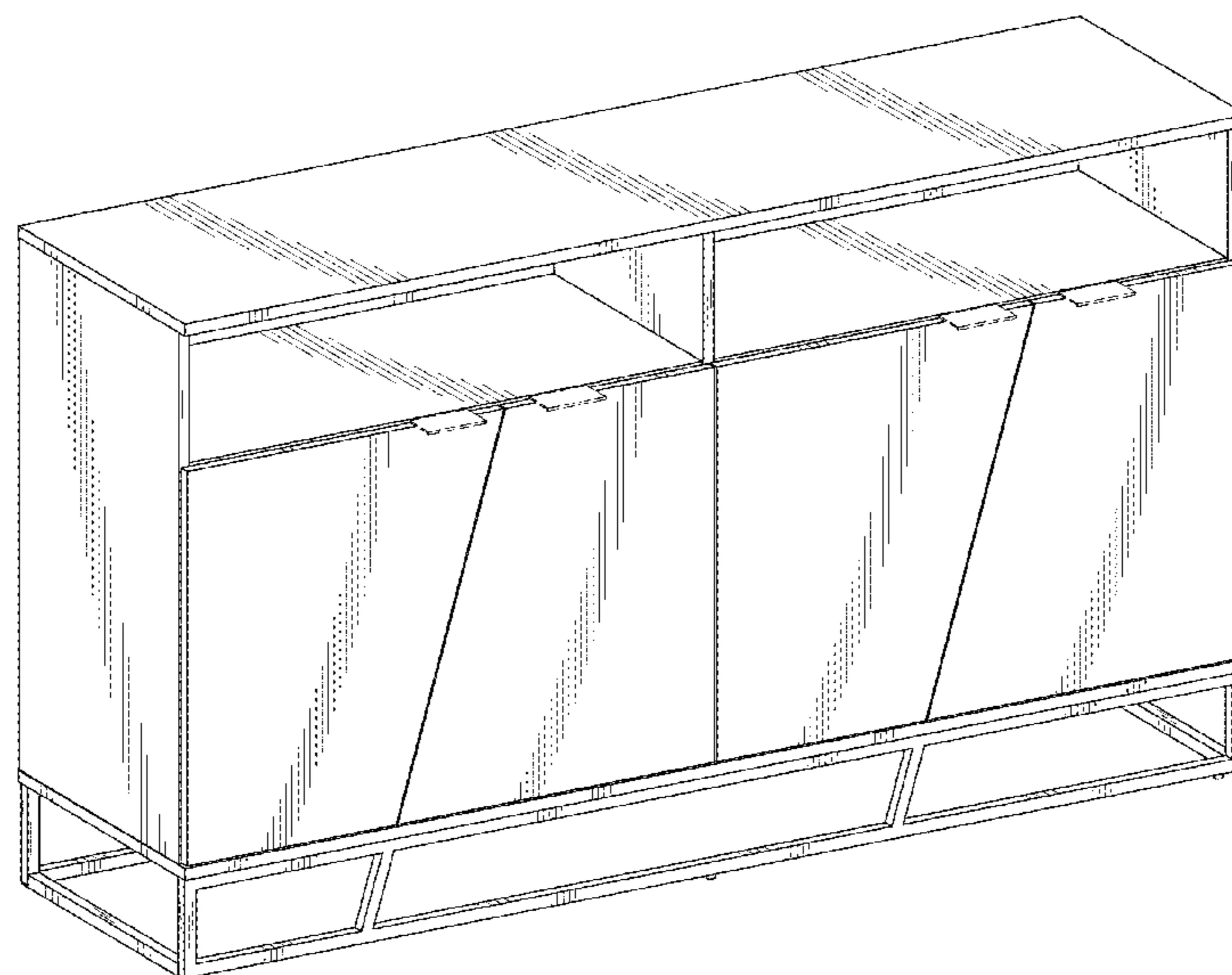
FIG. 1 is a front perspective view of a console showing the new design;
FIG. 2 is a front elevation view thereof;
FIG. 3 is a back elevation view thereof;
FIG. 4 is a top plan view thereof;
FIG. 5 is a bottom plan view thereof;
FIG. 6 is a right elevation view thereof; and,
FIG. 7 is a left elevation view thereof.
The broken lines in the drawings are for the purpose of illustrating portions of the article that form no part of the claimed design.

(56) **References Cited**

U.S. PATENT DOCUMENTS

245,925 A 8/1881 Kinsley
309,799 A 12/1884 Poulson
887,168 A 5/1908 Will
1,097,697 A 5/1914 Weston
D47,441 S 6/1915 Ullin
D47,600 S 7/1915 Koch
D61,344 S 8/1922 Mayer
1,475,088 A 11/1923 Specht et al.
D64,390 S 4/1924 Arons
D64,922 S 6/1924 Naill

1 Claim, 4 Drawing Sheets



(56)

References Cited

U.S. PATENT DOCUMENTS

2,207,307	A	7/1940	Teller	5,409,122	A	4/1995	Lazarus
D165,241	S	11/1951	Porter	5,452,812	A	9/1995	Niequist
D166,077	S	3/1952	Haas	D363,176	S	10/1995	Berry
D175,869	S	3/1952	Trout	D363,841	S	11/1995	Nourse
2,696,419	A	12/1954	Wallance	D364,055	S	11/1995	Pakla
D182,836	S	5/1956	Lubberts	D364,064	S	11/1995	Lorenz
2,743,720	A	5/1956	Dollinger	5,463,966	A	11/1995	Nilsson
D182,832	S	5/1958	Lubberts	D365,472	S	12/1995	Rehnberg
2,850,346	A	9/1958	Holderle	D366,110	S	1/1996	Darr
D186,115	S	9/1959	Church	D367,383	S	2/1996	Hatrack-Smith
2,918,176	A	12/1959	Bell	D373,693	S	9/1996	Elhage
D187,232	S	2/1960	Matyas	5,628,256	A	5/1997	Lazarus
D188,196	S	6/1960	Lubberts	D384,227	S	9/1997	Grosfillex
D188,197	S	6/1960	Swarts	D385,431	S	10/1997	Lee
3,039,621	A	6/1962	Pilcher	5,695,081	A	12/1997	Alkalay
D193,516	S	9/1962	Deaton	D389,343	S	1/1998	Van Der Merwe
D195,726	S	7/1963	Harper	D390,936	S	2/1998	French
D196,451	S	10/1963	McMullen	5,752,500	A	5/1998	Jamieson
3,217,671	A	11/1965	Walsh	5,782,231	A	7/1998	Wade
3,272,582	A	9/1966	Anderson/Mack	D398,788	S	9/1998	Schubert
3,352,615	A	11/1967	Sandin	5,833,084	A	11/1998	Chang
3,354,878	A	11/1967	Balls	D403,529	S	1/1999	De Blaay
D220,704	S	5/1971	Kramer	D404,937	S	2/1999	Tarlow
3,589,746	A	6/1971	Inglis	D407,577	S	4/1999	Dorst
RE27,186	E	10/1971	Ferdinand et al.	D408,174	S	4/1999	Aspenwall
RE27,200	E	10/1971	Ferdinand et al.	D420,114	S	2/2000	Johnson
3,688,707	A	9/1972	Maurice	D423,810	S	5/2000	Dorst
3,762,789	A	10/1973	Robertson	D423,813	S	5/2000	Paus
3,766,863	A	10/1973	Swick	D425,330	S	5/2000	O'Hare
D230,446	S	2/1974	Price	6,074,029	A	6/2000	Snoke
D233,294	S	10/1974	Goulder	D428,609	S	7/2000	Williams
D236,676	S	9/1975	Urti	D430,431	S	9/2000	Walter
D236,781	S	9/1975	Cowley	D440,079	S	4/2001	Wohlford
D238,277	S	12/1975	Parker	D448,203	S	9/2001	Jeup
D239,352	S	3/1976	Petrick	D449,184	S	10/2001	Cain
D240,381	S	7/1976	Tazaki	D450,492	S	11/2001	Sabo
D244,112	S	4/1977	Friedman	D452,624	S	1/2002	de Blois
D244,113	S	4/1977	Friedman	D454,264	S	3/2002	Patik
D248,429	S	9/1978	Robinson	D454,732	S	3/2002	Frenkler
D249,429	S	9/1978	Robinson	D455,916	S	4/2002	Fluhrer
D249,860	S	10/1978	Ungaro	6,393,207	B1	5/2002	Martin
4,182,244	A	1/1980	Hutchins	D462,008	S	8/2002	Stone
D259,316	S	5/1981	Offredi	D466,333	S	12/2002	Hwang
D262,847	S	2/1982	Keller	6,515,262	B1	2/2003	Li
D267,532	S	1/1983	Platner	D473,404	S	4/2003	De Blois
D269,754	S	7/1983	Kates	D475,225	S	6/2003	McBrayer
D270,858	S	10/1983	McInnes	D477,160	S	7/2003	Grosfillex
D273,829	S	5/1984	Desnoyers	D478,432	S	8/2003	Juneau
D274,152	S	6/1984	Fleming	D479,925	S	9/2003	Hsieh
D281,901	S	12/1985	Demrick	D485,450	S	1/2004	Smith
D283,182	S	4/1986	Marshall	D485,709	S	1/2004	de Blois
D283,343	S	4/1986	Haythornthwaite	D486,015	S	2/2004	De Blois
D289,474	S	4/1987	Underwood	D492,989	S	7/2004	Beck
D293,177	S	12/1987	Hamami	D495,898	S	9/2004	Walker
D293,521	S	1/1988	Handler	6,789,859	B1	9/2004	Ho
4,793,667	A	12/1988	Gilliom	D497,741	S	11/2004	Sexton
D303,596	S	9/1989	Goetz	D499,274	S	12/2004	Juneau
D304,982	S	12/1989	Bush	D499,281	S	12/2004	Yamaguchi
D305,930	S	2/1990	MacAleese	D499,583	S	12/2004	Anderson
D306,106	S	2/1990	Bush	D502,617	S	3/2005	Chang
D319,230	S	8/1991	Sugiyama	D503,570	S	4/2005	Anderson
5,036,778	A	8/1991	Briosi	D507,428	S	7/2005	Weatherly
D319,743	S	9/1991	Grey	D510,211	S	10/2005	Welborn, Jr.
D322,184	S	12/1991	Prevedello	D519,203	S	4/2006	Haas
D325,680	S	4/1992	Kiiski	D519,299	S	4/2006	Boudreau
D327,735	S	7/1992	Smith	D520,779	S	5/2006	DeBlois
D328,341	S	7/1992	Chiu	D522,771	S	6/2006	Berry
D329,693	S	9/1992	Mills	D522,773	S	6/2006	Becker
D330,470	S	10/1992	Bennett	D528,327	S	9/2006	O'Reilly
D336,184	S	6/1993	Borgen	D534,379	S	1/2007	Juneau
D336,392	S	6/1993	Whalen	D534,998	S	1/2007	Charnick
D347,754	S	6/1994	Mehlin	D536,770	S	2/2007	Mayer
D348,576	S	7/1994	Narramore	D538,406	S	3/2007	Mayer
D348,726	S	7/1994	Wilson	D539,057	S	3/2007	Senda
D353,960	S	1/1995	Barfield	D542,059	S	5/2007	Moyle
				D543,057	S	5/2007	Grady
				D543,728	S	6/2007	Becker
				D548,488	S	8/2007	Weatherly
				D548,490	S	8/2007	Becker

(56)

References Cited

U.S. PATENT DOCUMENTS

D549,991 S	9/2007	Stravitz	D716,288 S	10/2014	O'Heron
D553,879 S	10/2007	Juneau	D717,081 S	11/2014	Dworman
D554,393 S	11/2007	Yalif	D717,569 S	11/2014	Davis
D555,397 S	11/2007	Yalif	D718,956 S	12/2014	Helser
D559,017 S	1/2008	Domack	D718,957 S	12/2014	Heiser
D559,583 S	1/2008	Zambelli	D719,384 S	12/2014	Sowers
D559,584 S	1/2008	Zambelli	D720,563 S	1/2015	Burden
D559,585 S	1/2008	Lara	D723,148 S	2/2015	Lawrence
D560,077 S	1/2008	Zambelli	D723,843 S	3/2015	Lai
D560,396 S	1/2008	Weatherly	9,004,060 B2	4/2015	Benedetti
D560,403 S	1/2008	Domack	D728,975 S	5/2015	Park
D560,930 S	2/2008	Woodward	D730,089 S	5/2015	Carbone
D561,317 S	2/2008	Ou	D731,823 S	6/2015	Kelinske
D562,597 S	2/2008	Weatherly	D736,012 S	8/2015	Davis
D564,789 S	3/2008	deCarolis	D737,418 S	8/2015	Hrydovyy
D567,346 S	4/2008	Lin	D738,477 S	9/2015	Nemes
D587,483 S	3/2009	Zambelli	D738,647 S	9/2015	Muller
D587,484 S	3/2009	Domack	D741,090 S	10/2015	Ward
D587,497 S	3/2009	Zambelli	D741,630 S	10/2015	Meissner
D588,831 S	3/2009	Mohundro	D742,142 S	11/2015	Everson
D589,280 S	3/2009	Zambelli	D742,662 S	11/2015	Muller
D591,533 S	5/2009	Karsson	D743,192 S	11/2015	Davis
D592,432 S	5/2009	Sexton	D746,614 S	1/2016	Sheppard
7,530,538 B2	5/2009	Whalen	D747,123 S	1/2016	Zambelli
D593,776 S	6/2009	Sexton	D747,788 S	1/2016	Baker
D594,248 S	6/2009	Zambelli	D747,900 S	1/2016	Sheppard
D595,979 S	7/2009	Schweikarth	9,228,742 B2	1/2016	Akiyama
D598,672 S	8/2009	Maly	D748,768 S	2/2016	Stanton
D604,546 S	11/2009	Alman	D752,905 S	4/2016	Healy
D605,874 S	12/2009	Zambelli	D753,930 S	4/2016	Vengadakrishnan
D606,331 S	12/2009	Wicha	D757,350 S	5/2016	Levy
D609,503 S	2/2010	Hayes	D758,766 S	6/2016	Kirar
D611,727 S	3/2010	Vail	D759,997 S	6/2016	Ruiz
D614,888 S	5/2010	Sexton	D767,752 S	9/2016	Davis
D618,015 S	6/2010	Sexton	D767,753 S	9/2016	Edmund
D618,016 S	6/2010	Metcalf	D768,413 S	10/2016	Huang
D620,278 S	7/2010	Zambelli	D773,862 S	12/2016	Davis
D620,283 S	7/2010	Calco	D775,866 S	1/2017	Ben Avi
D622,834 S	8/2010	Jiang	D777,479 S	1/2017	Anderson
D623,442 S	9/2010	Zambelli	D778,641 S	2/2017	Anderson
D623,876 S	9/2010	Zambelli	D778,646 S	2/2017	Davis
D623,877 S	9/2010	Zambelli	D783,324 S	4/2017	Akana
D625,123 S	9/2010	Zambelli	D791,302 S	7/2017	Davis
D630,453 S	1/2011	Rafieha	D791,522 S	7/2017	Rafieha
D632,902 S	2/2011	Rafieha	D792,132 S	7/2017	Peota
D638,922 S	5/2011	Zhou	D793,776 S	8/2017	Davis
7,934,494 B1	5/2011	Schneider	D798,640 S	10/2017	Anderson
D640,072 S	6/2011	Sexton	D804,861 S	12/2017	Failing
D641,861 S	7/2011	Okamoto	D807,671 S	1/2018	Caillouet
D644,853 S	9/2011	Becker	D808,203 S	1/2018	Davis
D653,051 S	1/2012	Lin	D808,688 S *	1/2018	Everson D6/657
D653,739 S	2/2012	Gibbs	D808,690 S	1/2018	Hsu
D654,289 S	2/2012	Zambelli	D812,938 S	3/2018	Moore
D654,995 S	2/2012	Asofsky	D814,410 S	4/2018	Emslie
D654,996 S	2/2012	Asofsky	D815,465 S	4/2018	Hannoosh
D655,946 S	3/2012	Sexton	D817,037 S	5/2018	Davis
D658,750 S	5/2012	Nemes	D817,038 S	5/2018	Davis
D663,137 S	7/2012	Andersen	D817,040 S	5/2018	Davis
D663,138 S	7/2012	Andersen	D817,666 S	5/2018	Davis
D665,897 S	8/2012	Martin	D817,667 S	5/2018	Davis
D666,281 S	8/2012	Nemes	D818,750 S	5/2018	Hannoosh
D667,653 S	9/2012	Lenney	D821,038 S	6/2018	Rathman
D667,654 S	9/2012	Lenney	D824,703 S	8/2018	Yamamoto
D668,475 S	10/2012	Zambelli	D825,233 S	8/2018	Yamamoto
D669,704 S	10/2012	Zambelli	D825,959 S	8/2018	Rockwell
D669,706 S	10/2012	Zambelli	D833,782 S	11/2018	Amacher
D669,707 S	10/2012	Zambelli	D834,354 S	11/2018	Davis
D670,105 S	11/2012	Jespersen	D834,355 S	11/2018	Davis
D674,891 S	1/2013	Huang	D835,437 S	12/2018	Stukenberg
D675,716 S	2/2013	Schwartz	D835,925 S	12/2018	Denby
D687,250 S	8/2013	Weatherly	D838,523 S	1/2019	Yamamoto
D694,873 S	12/2013	Nemes	D843,756 S	3/2019	Johnson
D696,758 S	12/2013	Ernst	D845,041 S	4/2019	Davis
8,607,776 B2	12/2013	Jansson	D845,679 S	4/2019	Li
8,813,656 B1	8/2014	Hazzard	D845,683 S	4/2019	Pedersen
			D848,766 S	5/2019	Chen
			D848,767 S	5/2019	Smrstick
			D848,768 S	5/2019	Johnson
			D848,770 S	5/2019	Davis

(56)

References Cited

FOREIGN PATENT DOCUMENTS

U.S. PATENT DOCUMENTS

D849,457	S	5/2019	Kundig	
D850,815	S	6/2019	Nicoll	
D851,426	S	6/2019	Saotome	
D852,429	S	6/2019	Rathman	
D853,052	S	7/2019	Rathman	
D858,148	S	9/2019	Crutcher	
D859,038	S	9/2019	Davis	
D860,687	S	9/2019	Parikh	
D861,388	S	10/2019	Bray	
D862,940	S	10/2019	Bray	
D866,225	S	11/2019	Gelman	
D867,032	S	11/2019	Bellini	
D869,201	S	12/2019	Davis	
D869,202	S	12/2019	Davis	
D870,492	S	12/2019	Young	
D870,493	S	12/2019	Young	
D874,192	S	2/2020	Velez	
D878,116	S	3/2020	Davis	
D878,816	S	3/2020	Davis	
D878,817	S	* 3/2020	Davis	D6/657
D878,823	S	3/2020	Davis	
D879,516	S	3/2020	Davis	
D882,989	S	5/2020	Davis	
D885,091	S	5/2020	Davis	
D886,499	S	6/2020	Davis	
D888,467	S	6/2020	Li	
D891,831	S	8/2020	Davis	
D894,641	S	* 9/2020	Davis	D6/657
D906,020	S	* 12/2020	Davis	D6/657
D906,021	S	* 12/2020	Davis	D6/657
2004/0074858	A1	4/2004	Thuma	
2004/0079714	A1	4/2004	Andrew	
2004/0222721	A1	11/2004	Kelley	
2004/0237853	A1	12/2004	Sholz	
2005/0000241	A1	1/2005	Kucera	
2005/0103734	A1	5/2005	Saltzberg	
2007/0062983	A1	3/2007	Barnett	
2007/0138119	A1	6/2007	Schwerdlin	
2007/0236111	A1	10/2007	Gray	
2007/0236113	A1	10/2007	McCambridge	
2008/0116771	A1	5/2008	Green	
2008/0181587	A1	7/2008	Patil	
2008/0203042	A1	8/2008	Felsenthal	
2008/0216817	A1	9/2008	Yungbluth	
2009/0025414	A1	1/2009	Koga	
2009/0151375	A1	6/2009	Tarr	
2009/0170421	A1	7/2009	Adrian	
2009/0220221	A1	9/2009	Zhou	
2010/0307179	A1	12/2010	Fava	
2011/0000477	A1	1/2011	Kwon	
2011/0017691	A1	1/2011	Wu	
2011/0079688	A1	4/2011	Grove	
2011/0080261	A1	4/2011	Asofsky	
2011/0120166	A1	5/2011	Nadel	
2011/0220090	A1	9/2011	Atemboski	
2014/0116418	A1	5/2014	Thomas	
2014/0239136	A1	8/2014	Ortega	
2014/0252939	A1	9/2014	Tunzi	
2014/0265754	A1	9/2014	Patterson	
2014/0265807	A1	9/2014	Kendall	
2014/0318529	A1	10/2014	Nielsen	
2015/0182021	A1	7/2015	Chang	
2015/0323190	A1	11/2015	Stein	
2016/0018112	A1	1/2016	Phillips	
2016/0100698	A1	4/2016	Clark	
2016/0157605	A1	6/2016	Grad	
2016/0209102	A1	7/2016	Vulava	
2016/0223213	A1	8/2016	Grohova	
2016/0256032	A1	9/2016	Bhajak	
2017/0089587	A1	3/2017	Nemes	
2017/0211814	A1	7/2017	Bourne	
2018/0064246	A1	3/2018	Kassanoff	

CN	305138614	5/2019
EM	003068485-0003	4/2016
EM	003254200-0003	6/2016
EM	005646783-0006	9/2018
GB	1162368	8/1969
GB	4001474	5/2007
GB	4032905	11/2013
GB	4034171	7/2014
GB	6041896	8/2018
WO	WOD076242-061	5/2011

OTHER PUBLICATIONS

U.S. Appl. No. 29/634,946, filed Jan. 25, 2018, Davis.
 U.S. Appl. No. 29/654,950, filed Jun. 28, 2018, Davis.
 U.S. Appl. No. 29/720,093, filed Jan. 9, 2020, Davis.
 U.S. Appl. No. 29/656,499, filed Jul. 12, 2018, Davis.
 U.S. Appl. No. 29/656,479, filed Jul. 12, 2018, Davis.
 U.S. Appl. No. 29/656,485, filed Jul. 12, 2018, Davis.
 U.S. Appl. No. 29/656,486, filed Jul. 12, 2018, Davis.
 U.S. Appl. No. 29/656,497, filed Jul. 12, 2018, Davis.
 U.S. Appl. No. 29/654,930, filed Jun. 28, 2018, Davis.
 U.S. Appl. No. 29/654,936, filed Jun. 28, 2018, Davis.
 U.S. Appl. No. 29/654,952, filed Jun. 28, 2018, Davis.
 U.S. Appl. No. 29/656,492, filed Jul. 12, 2018, Davis.
 U.S. Appl. No. 29/656,489, filed Jul. 12, 2018, Davis.
 U.S. Appl. No. 29/634,889, filed Jan. 25, 2018, Davis.
 U.S. Appl. No. 29/677,722, filed Jan. 23, 2019, Davis.
 U.S. Appl. No. 29/677,723, filed Jan. 23, 2019, Davis.
 U.S. Appl. No. 29/677,724, filed Jan. 23, 2019, Davis.
 U.S. Appl. No. 29/677,738, filed Jan. 23, 2019, Davis.
 U.S. Appl. No. 29/677,755, filed Jan. 23, 2019, Davis.
 U.S. Appl. No. 29/677,761, filed Jan. 23, 2019, Davis.
 U.S. Appl. No. 29/698,919, filed Jul. 22, 2019, Davis.
 U.S. Appl. No. 29/756,291, filed Oct. 27, 2020, Davis.
 U.S. Appl. No. 29/756,302, filed Oct. 27, 2020, Davis.
 U.S. Appl. No. 29/756,303, filed Oct. 27, 2020, Davis.
 U.S. Appl. No. 29/756,305, filed Oct. 27, 2020, Davis.
 U.S. Appl. No. 29/698,924, filed Jul. 22, 2019, Davis.
 U.S. Appl. No. 29/698,928, filed Jul. 22, 2019, Davis.
 U.S. Appl. No. 29/698,940, filed Jul. 22, 2019, Davis.
 U.S. Appl. No. 29/756,763, filed Oct. 30, 2020, Davis.
 U.S. Appl. No. 29/699,063, filed Jul. 23, 2019, Davis.
 U.S. Appl. No. 29/699,066, filed Jul. 23, 2019, Davis.
 U.S. Appl. No. 29/714,849, filed Nov. 26, 2019, Davis.
 U.S. Appl. No. 29/699,071, filed Jul. 23, 2019, Davis.
 U.S. Appl. No. 29/699,073, filed Jul. 23, 2019, Davis.
 U.S. Appl. No. 29/699,078, filed Jul. 23, 2019, Davis.
 U.S. Appl. No. 29/698,942, filed Jul. 22, 2019, Davis.
 U.S. Appl. No. 29/698,947, filed Jul. 22, 2019, Davis.
 U.S. Appl. No. 29/720,729, filed Jan. 15, 2020, Davis.
 U.S. Appl. No. 29/720,732, filed Jan. 15, 2020, Davis.
 U.S. Appl. No. 29/721,435, filed Jan. 21, 2020, Davis.
 U.S. Appl. No. 29/720,734, filed Jan. 15, 2020, Davis.
 U.S. Appl. No. 29/720,923, filed Jan. 16, 2020, Davis.
 U.S. Appl. No. 29/720,927, filed Jan. 16, 2020, Davis.
 U.S. Appl. No. 29/720,942, filed Jan. 16, 2020, Davis.
 U.S. Appl. No. 29/720,948, filed Jan. 16, 2020, Davis.
 U.S. Appl. No. 29/721,166, filed Jan. 17, 2020, Davis.
 U.S. Appl. No. 29/743,237, filed Jul. 20, 2020, Packer.
 U.S. Appl. No. 29/743,240, filed Jul. 20, 2020, Packer.
 U.S. Appl. No. 29/743,244, filed Jul. 20, 2020, Packer.
 U.S. Appl. No. 29/743,246, filed Jul. 20, 2020, Packer.
 U.S. Appl. No. 29/743,247, filed Jul. 20, 2020, Packer.
 U.S. Appl. No. 29/743,250, filed Jul. 20, 2020, Packer.
 U.S. Appl. No. 29/743,418, filed Jul. 21, 2020, Packer.
 U.S. Appl. No. 29/743,423, filed Jul. 21, 2020, Packer.
 U.S. Appl. No. 29/743,584, filed Jul. 22, 2020, Packer.
 U.S. Appl. No. 29/728,971, filed Mar. 23, 2020, Davis.

(56)

References Cited

OTHER PUBLICATIONS

Electric fireplace, image post date May 26, 2014, site visited Aug. 8, 2016, (online), <[https://www.tineeye.com/search/3c3d0cbfb7030b3079ebefa0774a5b4e94120332?pluginver](https://www tineeye.com/search/3c3d0cbfb7030b3079ebefa0774a5b4e94120332?pluginver)>.
 Media Console with Electric Fireplace, image post date Dec. 6, 2015, site visited Aug. 8, 2016, (online), <<http://www.overstock.com/Home-Garden/Media-Console-with-Electric-Fireplace-in-Barnwood/10309735/product.html?recset=05953330-aaa1-4640-a796-f225c2f8176d&refccid=MRISGBB2MZGZYKK4EFVI25H6Q&recalg=809,828,512&recidx=1#reviews>>.
 Tv Stand With Fireplace, image post date Sep. 12, 2015, site visited Aug. 8, 2016, (online), <[https://www.tineeye.com/search/77be8934bf07249cbb245c8ea0f719199437b185/](https://www tineeye.com/search/77be8934bf07249cbb245c8ea0f719199437b185/)>.
 Walker Edison TV Stand with Fireplace Insert, image post date Jul. 31, 2015, site visited Aug. 8, 2016, (online), <<https://www.amazon.com/Walker-Edison-Fireplace-Insert-Espresso/dp/BOOPNONTAK>>.
 Manchester Fireplace TV Console, image post date Dec. 17, 2015, site visited Aug. 8, 2016, (online), <<http://www.walmart.com/ip/Manchester-Media-Fireplace-Stand-for-TVs-up-to-70/46360223>>.
 Monet Fireplace; Canadian Tire Company website: <http://www.canadiantire.ca/en/pdp/monet-fireplace-0643572p.html>; retrieved on Dec. 21, 2016.
 TV and Media Consoles, image post date Sep. 21, 2013, site visited Oct. 26, 2016, (online), <<http://web.archive.org/web/20130921074219/http://www.electricfireplacesdirect.com/Gallery/tv-and-media-consoles.html>>.
 "Kendall Electric Media Fireplace—Espresso" Dec. 24, 2012, amazon.com, site visited Mar. 6, 2018 <https://www.amazon.com/Kendall-Electric-Media-Fireplace-Espresso/dp/B009LIT6XQ/ref=cm_cr_arp_d_product_top?ie=UTF8> (Year: 2012).
 "Whalen Media Fireplace Console for TVs up to 70" Gray" Nov. 24, 2015, walmart.com, site visited Mar. 6, 2018 <<https://www.walmart.com/ip/Whalen-Media-Fireplace-Console-for-TVs-up-to-70-Gray/54189794>> (Year: 2015).
 "Boston Loft Furnishings . . ." Nov. 7, 2016, themine.com, site visited Mar. 2, 2018 <https://www.themine.com/tv-stands/boston-loft-furnishings-reamrock-infrared-electric-fireplace-media-stand-with-convertible-corner_g2733659.html> (Year: 2016).
 "Ameriwood Home Everett 70-inch . . ." Dec. 6, 2016, overstock.com, site visited Mar. 2, 2018 <<https://www.overstock.com/Home-Garden/Ameriwood-Home-Everett-70-inch-Sonoma-Oak-TV-Stand-with-Glass-Doors/12710691/product.html>> (Year: 2016).
 Metal Coffee Table; <https://www.overstock.com/Home-Garden/42-Metal-Coffee-Table-42-x-24-x-18h/15951452/product.html> Retrieved on Nov. 13, 2018.
 Modern Two-Tone Writing Desk; <https://www.overstock.com/Home-Garden/44-Modern-Two-Tone-Writing-Desk/19684325/product.html> Retrieved on Nov. 13, 2018.
 Czapla TV Stand for TVs up to 65"; <https://www.allmodern.com/furniture/pdp/mercury-row-czapla-tv-stand-for-tvs-up-to-65-a000303456.html>; Retrieved on May 7, 2019.
 Nelson Media Cabinet; <https://www.franceandson.com/collections/storage-shelving-media-cabinets/products/nelson-media-cabinet36051>; Retrieved on May 7, 2019.
 Hal TV Stand for TVs up to 60"; <https://www.allmodern.com/furniture/pdp/hal-tv-stand-for-tvs-up-to-60-a000176456.html>; Retrieved on May 7, 2019.
 Wigington TV Stand for TVs up to 60"; <https://www.allmodern.com/furniture/pdp/wigington-tv-stand-for-tvs-up-to-60-golv3670.html?piid>; Retrieved on May 7, 2019.
 Cliffmay Slat Media Stand Light Oak Brown—Project 62; https://www.target.com/p/cliffmay-slat-media-stand-light-oak-brown-project-62-153/-/A-53517373?ref=tgt_adv_XS000000&AFID=google_pla_df&fndsrc=tgtao&CPNG=PLA_Furniture%2BShopping_Priority%2BBrands&adgroup=SC_Project+62&LID=700000001170770pgs&network=g&device=c&location=9029756&gclid=aw.ds&ds_r1=1246978&ds_r1=1247068&ds_r1=1246978&ref=tgt_adv_XS000000&AFID=google_pla_df&Cpng=PLA_Furniture+Shopping_Priority+Brands&adgroup=SC_Project%2062&Lid=700000001170770pgs

&network=g&device=c&location=9029756&gclid=EAlalOobChM17Nb9wo-H3w1VBylpCh1fSg4IEACIYBSABEGK_yPD_BwE&gclidsrc=aw.ds; Retrieved on May 7, 2019.
 Audrey Woven Media Console 65"; <https://www.zinhome.com/audrey-woven-media-console-65/>; Retrieved on May 14, 2019.
 Demilune Mesh Door Industrial Sideboard; https://bellescape.com/demilune-mesh-wire-door-industrial-chic-sideboard.html?_SID=U; Retrieved on May 14, 2019.
 Tuk Cabinet; <https://blackroosterdecor.com/collections/storage/products/tuk-cabinet>; Retrieved on May 14, 2019.
 Rustic Style 31 Inches Metal TV Stand With Wire Mesh Doors Cabinet, Black; <https://casagear.com/products/rustic-style-31-inches-metal-tv-stand-with-wire-mesh-doors-cabinet-black>; May 14, 2019.
 Geo-Marquetry Buffet; https://www.anthropologie.com/shop/geomarquetry-buffet?adpos=1o27&adtype=pla&cm_mmc=Google-US%20-%20Shopping%20-%20Furniture-Organizing%20and%20Storage-42699934&color=&countryCode=US&creative=191389729567&device=c&gclid=EAlalOobChMlvuTGgY0H3wIVEdNkCh3t8wRPEAkYGYABEGJG_PD_BwE&inventoryCountry=US&matchtype=&mrkgadid=3202938336&mrkgcl=694&network=g&product_id=42699934&quantity=1&size=All&type=Standard&utm_campaign=US%20-%20Shopping%20-%20Furniture&utm_content=42699934&utm_medium=paid_search&utm_source=Google&utm_term=Organizing%20and%20Storage; Retrieved on May 14, 2019.
 Suspend II Media Console; <https://www.cb2.com/suspend-ii-media-console/s523915>; Retrieved on May 14, 2019.
 Hooker Furniture Melange Mirrored Angle Console; https://www.furniturecrate.com/hooker-melange-mirrored-angle-console.html?gdftrk=gdfV21650_a_7c92_a_7c8357_a_7c654170&gclid=CjwKEAiA05unBRCymrGilanF9SwSJACqDFRm1WwgePUSp65sXRCI4RkJfScYn-yCjNuB-GTt3W-FxoCQL7w_wcB; Retrieved on May 14, 2019.
 FurnitureMaxx Besteen Contemporary Wood Dark Gray Dining Room Server; https://www.amazon.com/dp/B07GVSV1VK2/ref=cm_sw_r_pi_dp-U_x_evuOBbFM3298G; Retrieved on May 14, 2019.
 Jaydyn Media TV Stand/Credenza; https://www.macys.com/shop/product/jaydyn-media-tv-stand-credenza?ID=2883210&CategoryID=35319#fn=FURNITURE_CATEGORY=Buffet%20&°/020Sideboards&SIZE=&sp=3&spc=131&ruleId=129%7CBOOST%20ATTRIBUTE%7CBOOST%20SAVED%20SET&searchPass=matchNone&slotId=2; Retrieved on May 14, 2019.
 Sideboard; <https://www.allmodern.com/furniture/pdp/sideboard-sct11710.html>; Retrieved on May 14, 2019.
 Belham Living Trenton Industrial End Table; https://www.hayneedle.com/product/belham-living-trenton-industrial-end-table-new.cfm?source=pla&kwid=OccasionalTables%20iprefer&tid=REDU113-l&adtype=pla&kw=&gclid=EAlalQobChMIvOu-6veI3wIVB8ZkCh0ZdAf-EAkYAyABEGLyMfd_BwE; Retrieved on May 15, 2019.
 Belham Living Hampton Chair Side Table—Black; <https://www.hayneedle.com/product/belham-living-hampton-chair-side-table-black.cfm>; Retrieved on May 15, 2019.
 International Concepts Hampton End Table; https://www.hayneedle.com/product/internationalconceptshamptonendtable.cfm?source=pla&kwid=OccasionalTables%20leve105&tid=WWI545-1&adtype=pla&kw=&gclid=EAlalQobChMlpsnoq_ml3wIVGNVkCh348gtdeAkYliABEGLP7fd_BwE; Retrieved on May 15, 2019.
 Hampton Weathered Taupe Gray Coffee Table; https://www.homedepot.com/p/International-Concepts-Hampton-Weathered-Taupe-Gray-Coffee-Table-OT09-70C/302946359?Merch=Rec_-PIPHorizontal12_rr_-204737265_-302946359_-N; Retrieved on May 15, 2019.
 Convenience Concepts Oxford Rectangle Coffee Table; https://www.hayneedle.com/product/convenience-concepts-oxford-rectangle-coffee-table.cfm?source=pla&kwid=OccasionalTables%20newkus&tid=CONV338-5&adtype=pla&kw=&gclid=EAlalQobChM1huzv9_mI3wIVWx-tBh1rUA1tEAKYHyABEGJ2hPD_BwE; Retrieved on May 15, 2019.
 Belham Living Jamestown Rustic Coffee Table with Unique Driftwood Finish; <https://www.hayneedle.com/product/jamestown-rustic-coffee-table.cfm>; Retrieved on May 15, 2019.

(56)

References Cited

OTHER PUBLICATIONS

- Pinterest; www.pinterest.com/pin/336328451393621/; Retrieved on Jun. 12, 2019.
- Target Winham TV Stand—Threshold; www.target.com/p/windham-tv-stand-threshold-153/-/A-54301349; Retrieved on Jun. 12, 2019.
- Pinterest DIY Farmhouse Coffee Table Cabinet; www.pinterest.com/pin/33636328450994833/; Retrieved on Jun. 12, 2019.
- Image seen on Pinterest DIY Project; Pinterest.com; Seen approximately Aug. 1, 2017.
- World Market—Metal Bexley Bar; www.worldmarket.com/product/metal+bexley+bar.do?pp=1; Retrieved on Sep. 25, 2019.
- Overstock—Nova Domus Soria Modern Walnut TV Stand; https://www.overstock.com/Home-Garden/Nova-Domus-Soria-Modern-Walnut-TV-Stand/10359356/product.html?utm_campaign=pin_button&utm_medium=Social&utm_source=Pinterest; Retrieved on Jun. 12, 2019.
- Notice of Allowance for U.S. Appl. No. 29/654,936 dated Jun. 19, 2019.
- Notice of Allowance for U.S. Appl. No. 29/656,479 dated Jun. 27, 2019.
- Restriction Requirement for U.S. Appl. No. 29/654,950 dated Sep. 25, 2019.
- Office Action for U.S. Appl. No. 29/656,489 dated Sep. 25, 2019.
- Office Action for U.S. Appl. No. 29/656,497 dated Sep. 25, 2019.
- Office Action for U.S. Appl. No. 29/656,499, dated Sep. 26, 2019.
- Notice of Allowance for U.S. Appl. No. 29/656,486 dated Sep. 27, 2019.
- Notice of Allowance for U.S. Appl. No. 29/656,485 dated Oct. 2, 2019.
- Notice of Allowance for U.S. Appl. No. 29/656,479 dated Oct. 21, 2019.
- Office Action for U.S. Appl. No. 29/654,952 dated Nov. 15, 2019.
- Notice of Allowance for U.S. Appl. No. 29/656,492 dated Nov. 18, 2019.
- 42 in. Metal and Wood Desk with Glass and Shelf Grey Wash by Walker Edison Furniture Company—Home Depot <https://www.homedepot.com/p/Walker-Edison-Furniture-Company-42-in-Metal-and-Wood-Desk-with-Glass-and-Shelf-Grey-Wash-HDM42JERGW/305309102> retrieved from the internet on Sep. 9, 2019.
- Dark Walnut Wood and Glass Coffee Table by Walker Edison Furniture Company—Home Depot <https://www.homedepot.com/p/Walker-Edison-Furniture-Company-Dark-Walnut-Wood-and-Glass-Coffee-Table-HDF42JMGLDW/305308482> retrieved from the internet on Nov. 6, 2019.
- “Baum TV Stand for TVs up to 58 inches” Wayfair. (Accessed Nov. 14, 2019).
- “Dark Walnut 70" TV Stand” Pier1. (Accessed Nov. 14, 2019).
- “Soren TV Stand for TVs up to 50 inches” Wayfair. (Accessed Nov. 14, 2019).
- “Shreffler TV Stand for TVs up to 78 inches” Wayfair. (Accessed Nov. 14, 2019).
- Office Action for U.S. Appl. No. 29/634,946 dated Dec. 12, 2019.
- Notice of Allowance for U.S. Appl. No. 29/656,485 dated Dec. 18, 2019.
- Notice of Allowance for U.S. Appl. No. 29/654,950 dated Dec. 27, 2019.
- Electric Fireplaces Direct.com. <https://www.electricfireplacesdirect.com/products-accessories/tv-media-consoles/shelby-electric-fireplace-media-console-in-white-c3p18c9-2030w.html>. “Shelby Electric Fireplace Media Console in White”. Date unknown: Viewed Dec. 2019 (Year: 2019).
- Pikove. <https://pikove.com/media/509962357792326443>. “Home Decor”. Feb. 2017 (Year: 2017).
- Luno. <https://iamluno.com/product/kc27-record-console-new/>. “KC27 Hifi Record Console”. Date unknown: Viewed Dec. 2019 (Year: 2019).
- Notice of Allowance for U.S. Appl. No. 29/656,499 dated Jan. 23, 2020.
- Notice of Allowance for U.S. Appl. No. 29/656,497 dated Jan. 23, 2020.
- Notice of Allowance for U.S. Appl. No. 29/656,489 dated Jan. 24, 2020.
- Walker Edison Buffet 52' Console Table; <https://www.walkerredison.com/buffet-52-console-table.html>; Retrieved on Jul. 19, 2018.
- Notice of Allowance for U.S. Appl. No. 29/654,952 dated Feb. 12, 2020.
- Restriction Requirement for U.S. Appl. No. 29/714,849 dated Feb. 25, 2020.
- Notice of Allowance for U.S. Appl. No. 29/714,849 dated Apr. 6, 2020.
- Notice of Allowance for U.S. Appl. No. 29/634,946 dated Apr. 8, 2020.
- Notice of Allowance for U.S. Appl. No. 29/654,952 dated Apr. 21, 2020.
- Pinterest; Cabinet Furniture; wood veneer sideboard with doors—Edge Collection by Miniforms; <https://www.pinterest.com/pin/312366924137895643>; Retrieved on Aug. 9, 2018.
- Edge Buffet and Cabinet; Miniforms.com; https://www.miniforms.com/en/products/4_buffet-and-cabinet/105_edge/#f; Retrieved on Aug. 9, 2018.
- Pinterest; Media Furniture Search; <https://www.pinterest.com/pin/33636328451628908/>; Retrieved on Apr. 16, 2018.
- Pinterest; Furniture Search; <https://www.pinterest.com/pin/33636328453466237/>; Retrieved on Apr. 11, 2018.
- Office Action for U.S. Appl. No. 29/677,738 dated Jun. 26, 2020.
- Office Action for U.S. Appl. No. 29/677,723 dated Jun. 26, 2020.
- “Walker Edison—W6ONOR2D Assembly Instructions.” Found online Jun. 19, 2020 at www.walkerredison.com. Page dated Apr. 23, 2018. Retrieved from URL: <https://www.walkerredison.com/uploads/5/8/2/2/58227457/ai-w6Onor2d-%C2%AE%20version%20042318-e.pdf> (Year: 2018).
- “The Urban Port Mid Century Modern Acacia Wood TV Unit.” Found online Jun. 19, 2020 at www.amazon.com. Product reviewed Jun. 28, 2018. Retrieved from URL: https://www.amazon.com/dp/B07P6OPSYJ/ref=sbl_dpx_B07LG44BN6_0?th=1 (Year: 2018).
- “Simpli Home Draper Solid Wood Universal Low TV Media Stand.” Found online Jun. 19, 2020 at www.amazon.com. Product reviewed Sep. 26, 2016. Retrieved from URL: https://www.amazon.com/dp/B01AACK5FM/ref=sbl_dpx_B082WLRMSMS_0?th=1 (Year: 2016).
- “Iwell Mid-Century Modern TV Stand.” Found online Jun. 20, 2020 at www.amazon.com. Product first available May 7, 2020. Retrieved from URL: <https://tinyurl.com/y9okn51q> (Year: 2020).
- “Tangkula Wooden TV Stand.” Found online Jun. 20, 2020 at www.amazon.com. Product first available Jan. 13, 2020. Retrieved from URL: <https://tinyurl.com/y9h9hwwc> (Year: 2020).
- “Langley Street Silvia 54-inch TV Stand.” Found online Jun. 20, 2020 at www.amazon.com. Product first available Aug. 30, 2015. Retrieved from URL: https://www.amazon.com/dp/B07BMM7PZ6/ref=sbl_dpx_B01255EZVW_0 (Year: 2015).
- “Walker Edison—W70JACSD Assembly Instructions.” Found online Jun. 19, 2020 at www.walkerredison.com. Page dated Jul. 9, 2018. Retrieved from URL: <https://www.walkerredison.com/uploads/5/8/2/2/58227457/ai-w70jacsd-%C2%AE%20version%20071118-n.pdf> (Year: 2018).
- “South Shore Exhibit TV Stand.” Found online Jun. 19, 2020 at www.amazon.com. Product reviewed Jan. 12, 2017. Retrieved from URL: https://www.amazon.com/dp/B01D9MW9FE/ref=sbl_dpx_B01AACK5FM_0?th=1 (Year: 2017).
- “Sauder Coral Cape Contemporary Wood 70-inch TV Stand.” Found online Jun. 19, 2020 at www.amazon.com. Product first available Jan. 28, 2020. Retrieved from URL: https://www.amazon.com/dp/B085VKFXJF/ref=sbl_dpx_B07LG44BN6_0 (Year: 2020).
- “CCT Global Sourcing Inc. Pearson Solid Hardwood 60-inch TV Stand.” Found online Jun. 19, 2020 at www.amazon.com. Product first available Jan. 20, 2020. Retrieved from URL: https://www.amazon.com/dp/B0842JTI1Z6/ref=sbl_dpx_B07LG44BN6_0 (Year: 2020).
- Notice of Allowance for U.S. Appl. No. 29/677,722 dated Jul. 1, 2020.
- “Walker Edison—W58BMHPAS Assembly Instructions.” Found online Jun. 19, 2020 at www.walkerredison.com. Page dated Apr. 23,

(56)

References Cited

OTHER PUBLICATIONS

2018. Retrieved from URL: [https://www.walkerredison.com/uploads/5/8/2/2/58227457/ai-w58bnnhpas-%C2%AE version 042318-e.pdf](https://www.walkerredison.com/uploads/5/8/2/2/58227457/ai-w58bnnhpas-%C2%AE%20version%20042318-e.pdf) (Year: 2018).

“Mid Century Modern TV Stand.” Found online Jun. 20, 2020 at www.amazon.com. Product first available Jun. 16, 2020. Retrieved from URL: <https://tinyurl.com/y7qolcv7> (Year: 2020).

“Pemberly Row Modern Mid Century Entertainment TV Stand.” Found online Jun. 20, 2020 at www.amazon.com. Product first available May 25, 2018. Retrieved from URL: <https://tinyurl.com/y9affau7> (Year: 2018).

Notice of Allowance for U.S. Appl. No. 29/677,724 dated Jul. 7, 2020.

“Walker Edison—W60S014D Assembly Instructions.” Found online Jun. 19, 2020 at www.walkerredison.com. Page dated May 8, 2018. Retrieved from URL: [https://www.walkerredison.com/uploads/5/8/2/2/58227457/ai-w60soi4d-%C2%AE version 050818 n.pdf](https://www.walkerredison.com/uploads/5/8/2/2/58227457/ai-w60soi4d-%C2%AE%20version%20050818-n.pdf) (Year: 2018).

“Sauder Boulevard Cafe Credenza.” Found online Jun. 19, 2020 at www.amazon.com. Product first available Aug. 23, 2018. Retrieved from URL: https://www.amazon.com/Sauder-420649-Boulevard-Credenza-Vintage/dp/B07GSJ4MG1/ref=psdc_14109851_t1B07G62YLVT (Year: 2018).

“Martin Furniture Eclectic Harmon Four Door Console.” Found online Jun. 19, 2020 at www.amazon.com. Product first available Oct. 30, 2017. Retrieved from URL: https://www.amazon.com/dp/B076VVVYRPR/ref=sbl_dp_x_B07G62YLVT_0 (Year: 2017).

“Industrial Iron Mesh Sideboard Media Cabinet.” Found online Jun. 19, 2020 at www.amazon.com. Product first available Jul. 20, 2015. Retrieved from URL: https://www.amazon.com/dp/B01255EZVW/ref=sbl_dp_x_B07G62YLVT_0 (Year: 2015).

Safavieh Furniture; <http://web.archive.org/web/20130301232929/http://safavieh.com/furniture/categories/bookcases?pg=all>; Retrieved online on Aug. 5, 2020.

Safavieh Furniture; <http://web.archive.org/web/20140713025018/http://safavieh.com/furniture/american-home/bookcases/amh6525a>; Retrieved online on Aug. 5, 2020.

Amarah Mid Century Modern Wood TV Stand by Christopher Knight Home; <https://web.archive.org/web/20181102021725/https://www.overstock.ca/Home-Garden/Amarah-Mid-century-Modern-Wood-TV-Stand-by-Christopher-Knight-Home/18108793/product.html>; Retrieved online on Aug. 5, 2020.

Gemini Wood Contemporary TV Stand; <https://web.archive.org/web/20160423180238/https://www.target.com/p/gemini-wood-contemporary-tv-stand-walnut-white-66-baxton-studio/-/A-50256043>; Retrieved online on Aug. 5, 2020.

Article SENO walnut media unit; <http://web.archive.org/web/20170610131805/https://www.article.com/product/1635/seno-walnut-63-media-unit>; Retrieved online on Aug. 5, 2020.

Instagram post—Article Seno walnut media unit; <https://www.instagram.com/p/BhcCAZIH8-q/>; Retrieved on Aug. 5, 2020.

Convenience Concepts Designs2Go Oslo TV Stand; <https://www.amazon.ca/Convenience-Concepts-Designs2Go-Stand-White/dp/B011RACHQ6/?th=1>; Retrieved online on Aug. 5, 2020.

Houzz_Rowan_Mid-Century Modern Two-Toned TV Stand; <https://www.houzz.com/products/rowan-mid-century-modern-two-toned-tv-stand-white-oak-prvw-vr-74489612>; Retrieved online on Aug. 21, 2020.

Focus On Furniture, Lowline TV Units; <https://web.archive.org/web/20170218071314/https://www.focusonfurniture.com.au/living-room/lowline-tv-units/>; Retrieved on Aug. 21, 2020.

Office Action for U.S. Appl. No. 29/654,930, dated Aug. 21, 2020.

Calie TV Stand for TVs up to 48 inches with Electric Fireplace Included; Wayfair.com; <https://www.wayfair.com/furniture/pdp/real-flame-calie-tv-stand-for-tvs-up-to-48-inches-with-electric-fireplace-included-jfp1647.html>; Retrieved on Jan. 10, 2018.

Restriction Requirement for U.S. Appl. No. 29/698,919, dated Aug. 27, 2020.

Office Action for U.S. Appl. No. 29/677,755, dated Aug. 27, 2020.

Foundry Arsenault End Table, www.wayfair.com [online]. Published on or before Aug. 15, 2020, [retrieved on Aug. 15, 2020], Retrieved from the Internet: <URL:<https://www.wayfair.ca/furniture/pdp/foundry-select-arsenault-4-legs-end-table-c003160002.html?piid=1664365403>> (Year: 2020).

Office Action for U.S. Appl. No. 29/698,928, dated Aug. 28, 2020.

Notice of Allowance for U.S. Appl. No. 29/698,940, dated Aug. 28, 2020.

Rustic Farmhouse Corner TV Stand With Barn Doors, Little Rustic Shop, site visited Aug. 24, 2020, available online at <https://littlerusticshop.com/collections/frontpage/products/rustic-farmhouse-corner-tv-stand-with-barn-doors> (Year: 2020).

Office Action for U.S. Appl. No. 29/698,947, dated Aug. 31, 2020.

White Eliza TV Stand With Fireplace Insert, Owens Home Furnishings, site visited Aug. 25, 2020, available online at <https://www.owensfurniture.com/eliza-white-barn-door-tv-stand-70/> (Year: 2020).

Office Action for U.S. Appl. No. 29/698,942, dated Aug. 31, 2020.

Office Action for U.S. Appl. No. 29/677,761, dated Sep. 1, 2020.

Foundry Select Arsenault Coffee Table, www.wayfair.ca [online]. Published on or before Aug. 11, 2020, [retrieved on Aug. 11, 2020], Retrieved from the Internet: <URL:<https://www.wayfair.ca/furniture/pdp/foundry-select-arsenault-coffee-table-c003159996.html>> (Year: 2020).

Notice of Allowance for U.S. Appl. No. 29/699,063, dated Sep. 2, 2020.

Notice of Allowance for U.S. Appl. No. 29/699,071, dated Sep. 4, 2020.

Notice of Allowance for U.S. Appl. No. 29/699,066, dated Sep. 11, 2020.

Notice of Allowance for U.S. Appl. No. 29/677,723, dated Sep. 15, 2020.

Notice of Allowance for U.S. Appl. No. 29/677,738, dated Sep. 15, 2020.

Notice of Allowance for U.S. Appl. No. 29/698,942, dated Sep. 15, 2020.

Office Action for U.S. Appl. No. 29/698,924, dated Sep. 16, 2020.

Notice of Allowance for U.S. Appl. No. 29/699,073, dated Sep. 16, 2020.

Corrected Notice of Allowance for U.S. Appl. No. 29/698,942, dated Sep. 23, 2020.

Notice of Allowance for U.S. Appl. No. 29/677,723, dated Sep. 29, 2020.

Notice of Allowance for U.S. Appl. No. 29/677,738, dated Sep. 29, 2020.

Notice of Allowance for U.S. Appl. No. 29/720,732; dated Sep. 29, 2020.

Notice of Allowance for U.S. Appl. No. 29/721,435, dated Sep. 29, 2020.

Notice of Allowance for U.S. Appl. No. 29/677,724, dated Sep. 30, 2020.

Notice of Allowance for U.S. Appl. No. 29/699,071, dated Sep. 30, 2020.

Notice of Allowance for U.S. Appl. No. 29/720,923, dated Sep. 30, 2020.

Office Action for U.S. Appl. No. 29/699,078, dated Oct. 6, 2020.

“WE Furniture AZ40SWICTWMDC Coffee Table.” Found online Sep. 30, 2020 at www.amazon.com. Product first available Jan. 23, 2019 Retrieved from URL: https://www.amazon.com/-/es/Furniture-AZ40SWICTWMDC-centro-Madera-Vidrio/dp/B07N282396/ref=psdc_3733631_J2_B07CYML1LF (Year: 2019).

“Vasagle Glatal Glass Coffee Table.” Found online Sep. 30, 2020 at www.amazon.com. Product first available May 1, 2020. Retrieved from URL: <https://tinyurl.com/yxvuv2rf> (Year: 2020).

“Henn and Hart Coffee Table.” Found online Sep. 30, 2020 at www.amazon.com. Product first available Jan. 20, 2019. Retrieved from URL: https://www.amazon.com/-/es/Henn-Hart-talla-%C3%BA-nica-color/dp/B07N8RRPT5/ref=psdc_3733631_t5_B07CYML1LF (Year: 2019).

Notice of Allowance for U.S. Appl. No. 29/677,755, dated Oct. 27, 2020.

Notice of Allowance for U.S. Appl. No. 29/720,923, dated Oct. 28, 2020.

(56)

References Cited

OTHER PUBLICATIONS

Lorraine TV Stand for TVs up to 60" Retrieved online Nov. 3, 2020; from URL: <https://www.wayfair.com/furniture/pdp/three-posts-lorraine-tv-stand-for-tvs-up-to-60-w001-527559.html>;

Notice of Allowance for U.S. Appl. No. 29/698,942, dated Nov. 3, 2020.

Notice of Allowance for U.S. Appl. No. 29/699,073, dated Nov. 3, 2020.

Notice of Allowance for U.S. Appl. No. 29/721,435, dated Nov. 3, 2020.

"Alera Angled Doors Oak Wood Black Sideboard" <https://www.decorpad.com/bookmark.htm?bookmarkId=69182> (Retrieved Nov. 12, 2020).

"Linus Base Cabinet w/Double Angled Doors by HABA, 460499*" <https://gresscoltd.com/linus-base-cabinet-w-double-angled-doors-by-haba-460499.html> (Retrieved Nov. 12, 2020).

"Solid Acacia Wood Canyon Ridge Three Drawer Media TV Console ith Metal Base" <https://www.hootjudkins.com/solid-acacia-wood-canyon-ridge-three-drawer-media-tv-console-with-metal-base> (Retrieved Nov. 12, 2020).

* cited by examiner

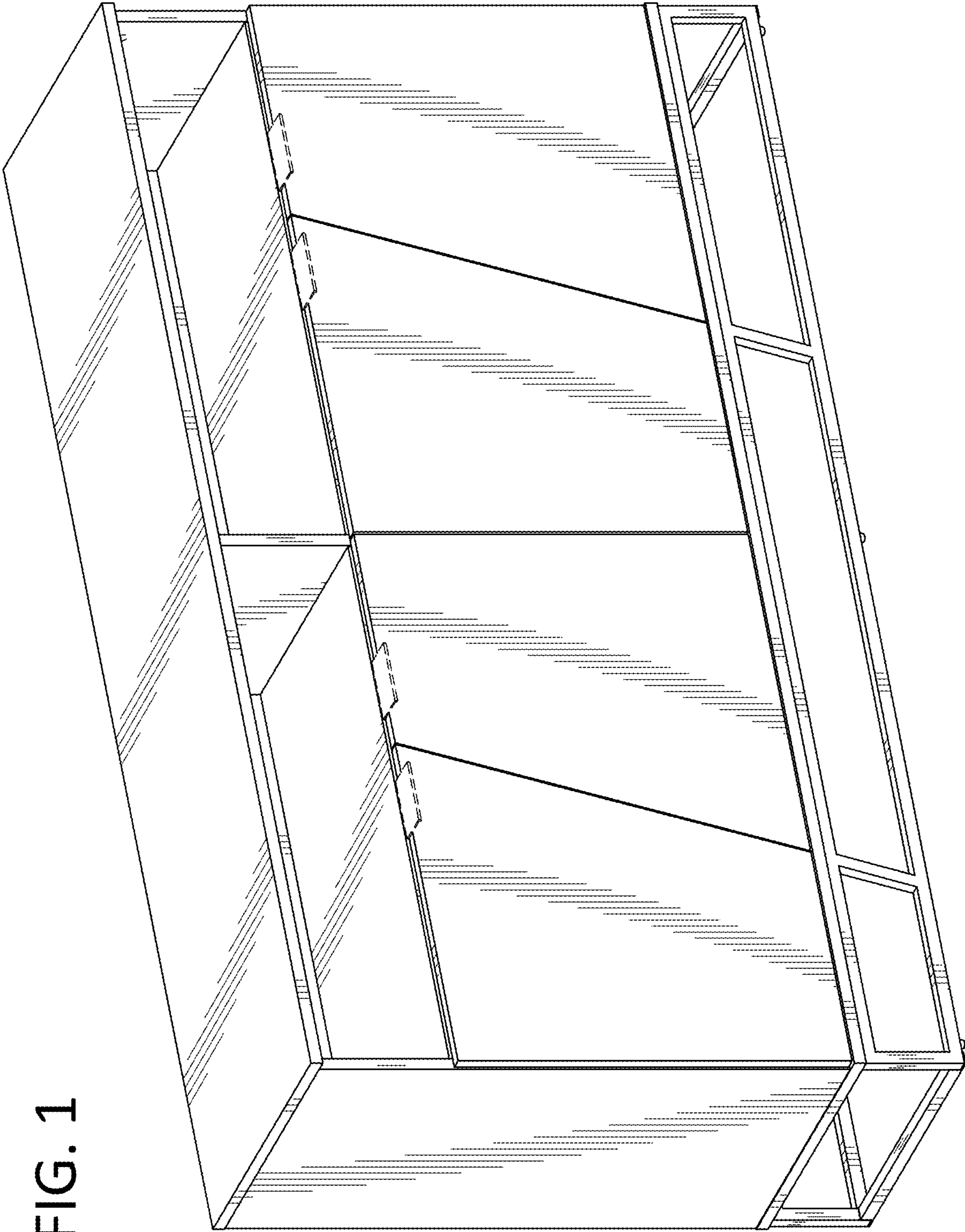


FIG. 1

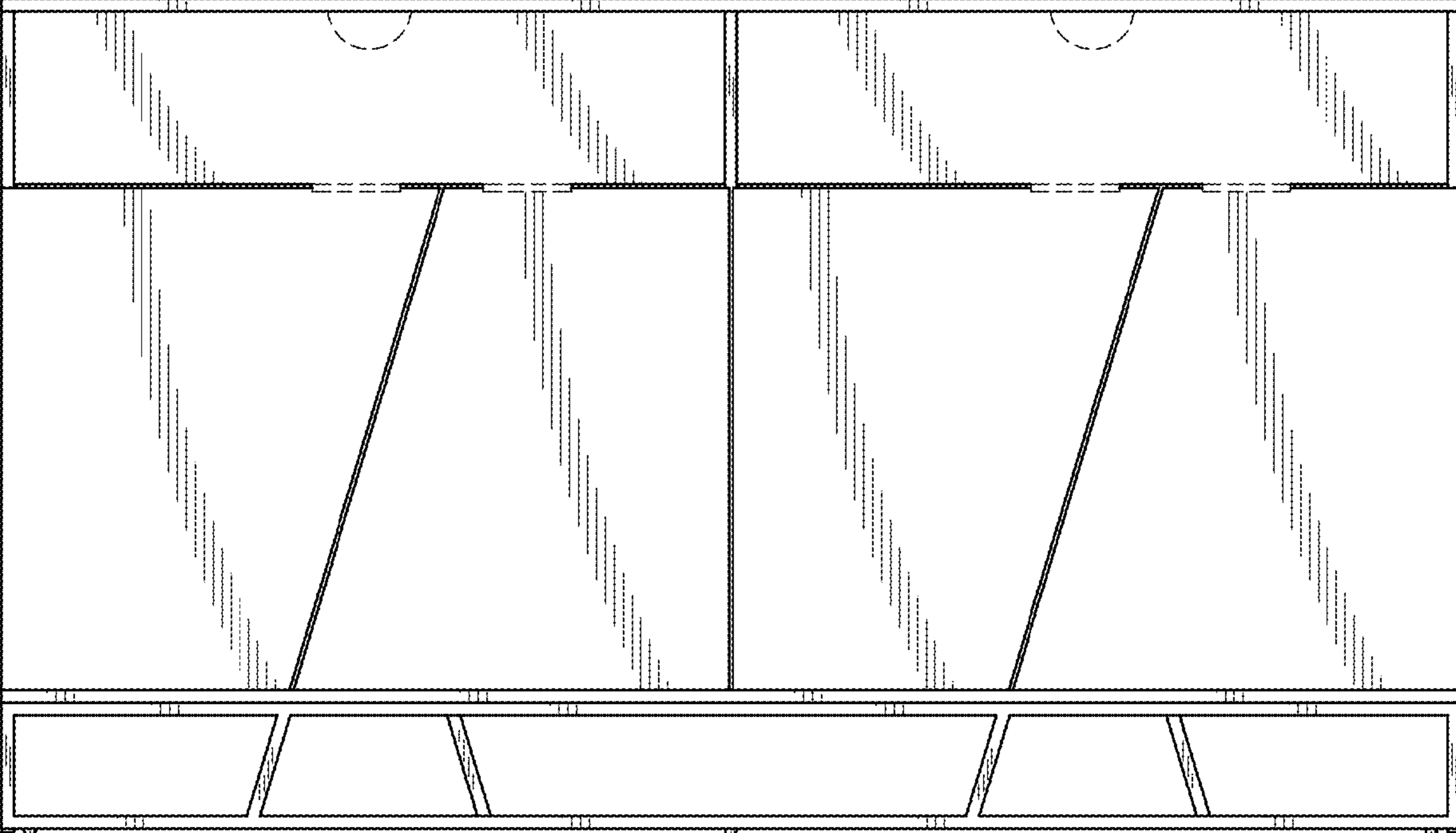


FIG. 2

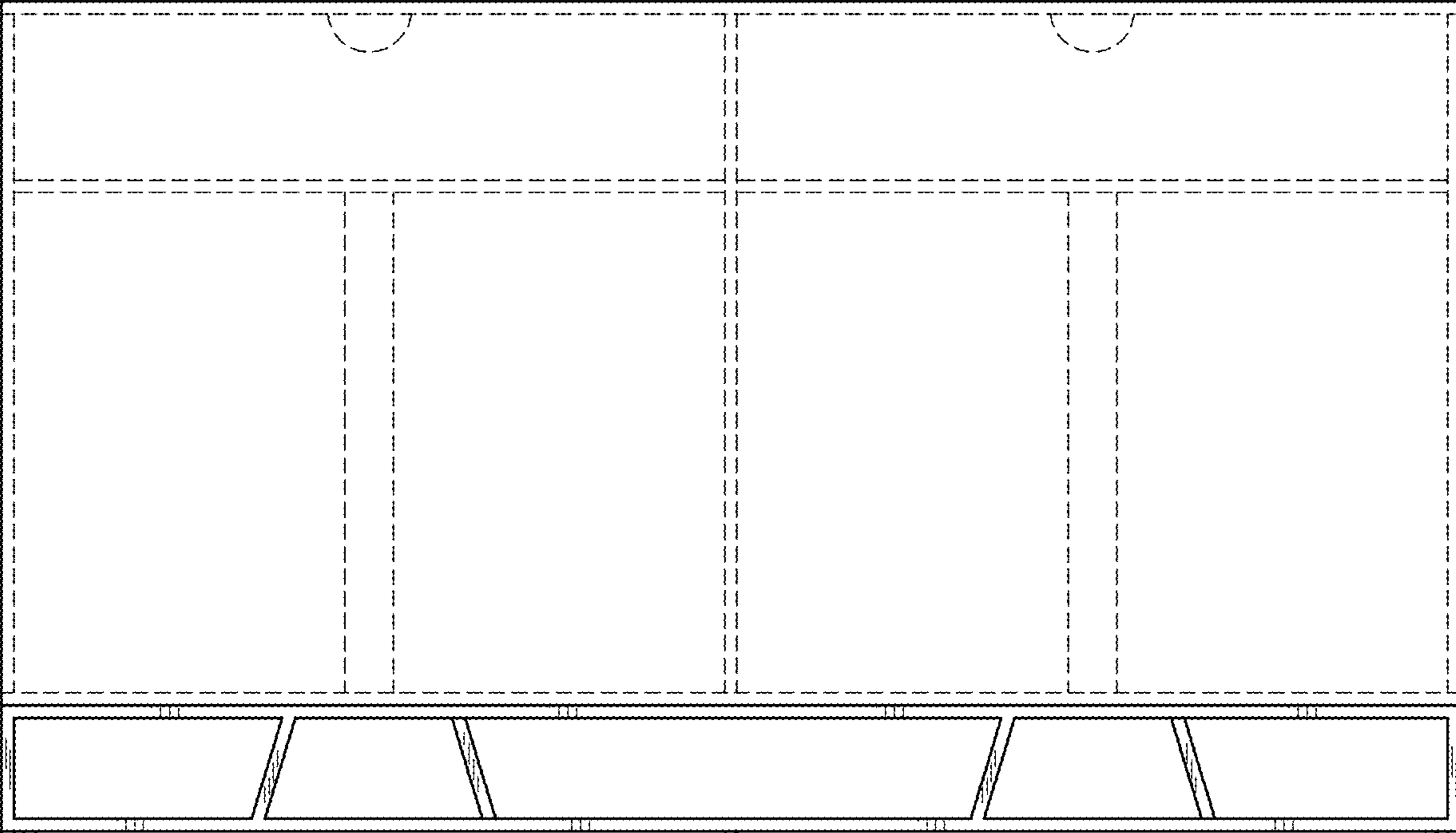


FIG. 3

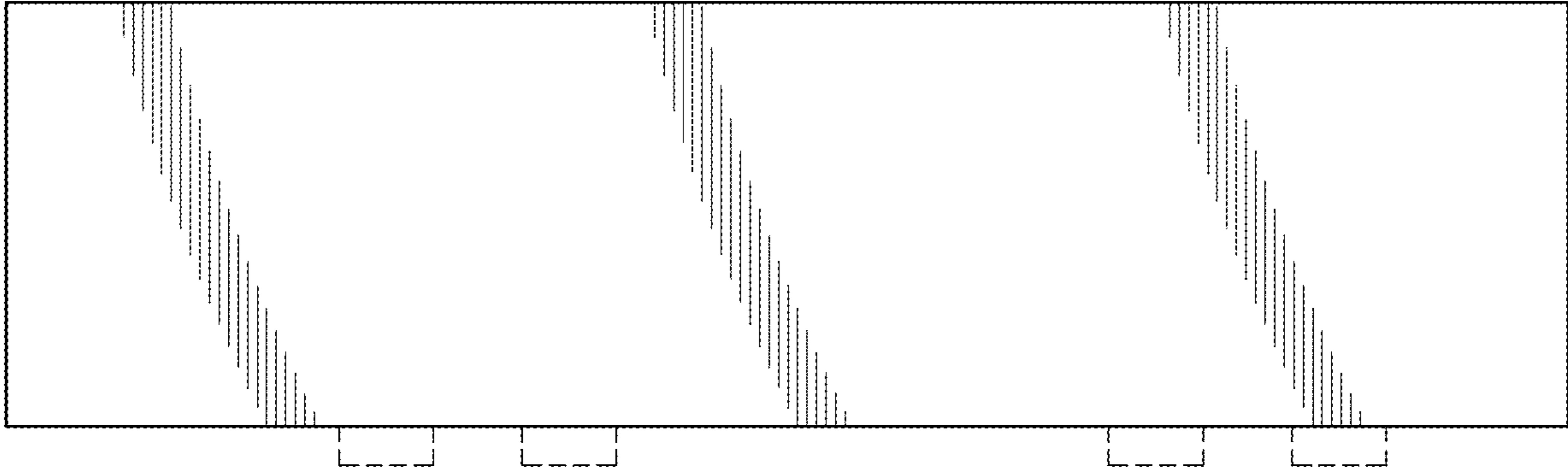


FIG. 4

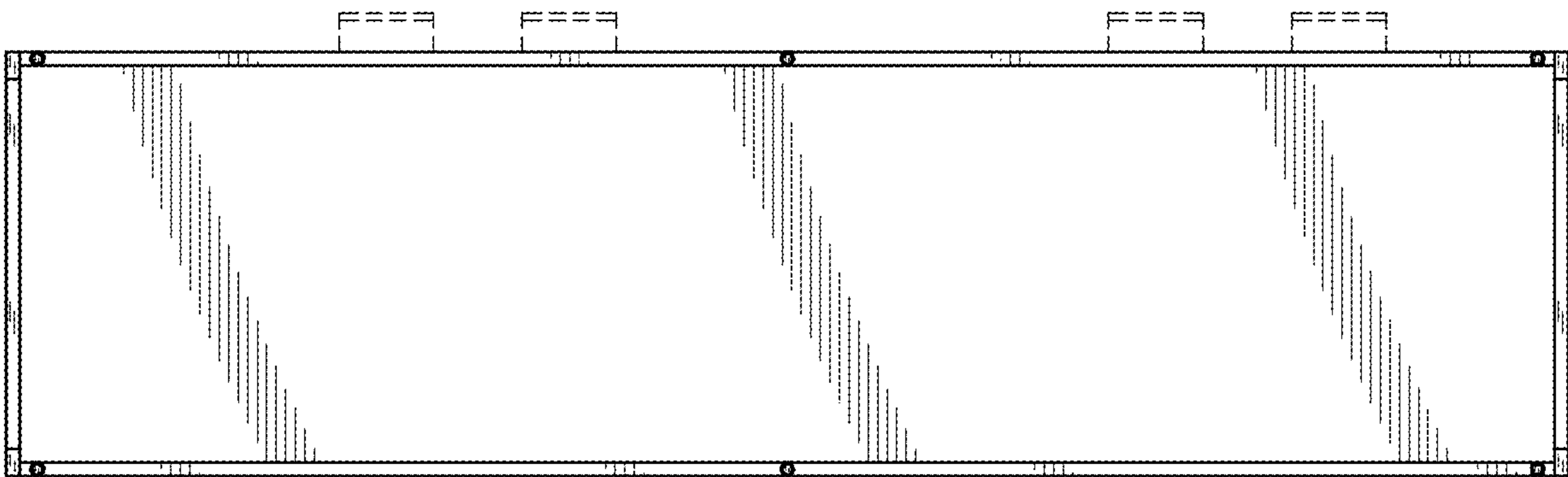


FIG. 5

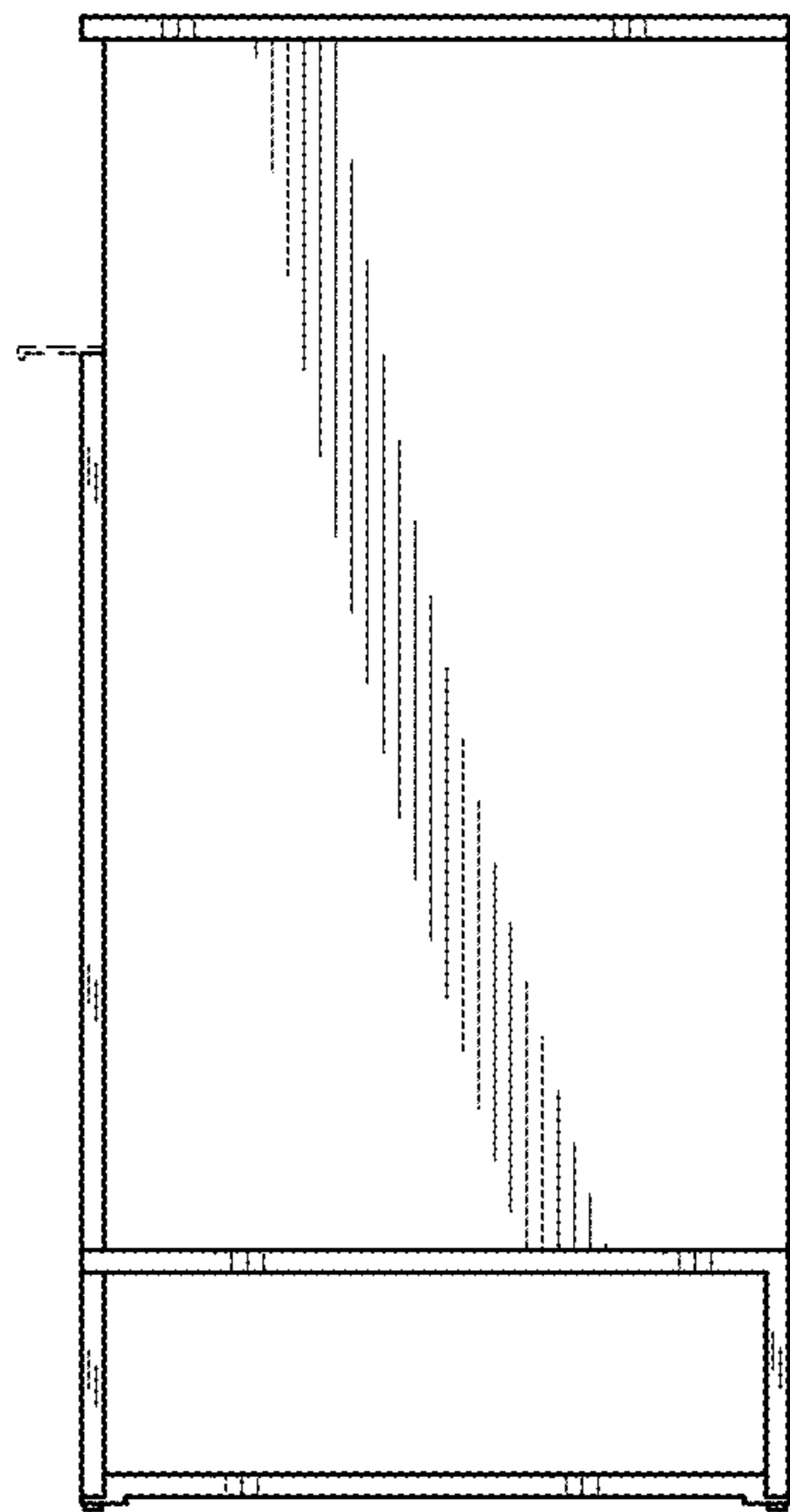


FIG. 6

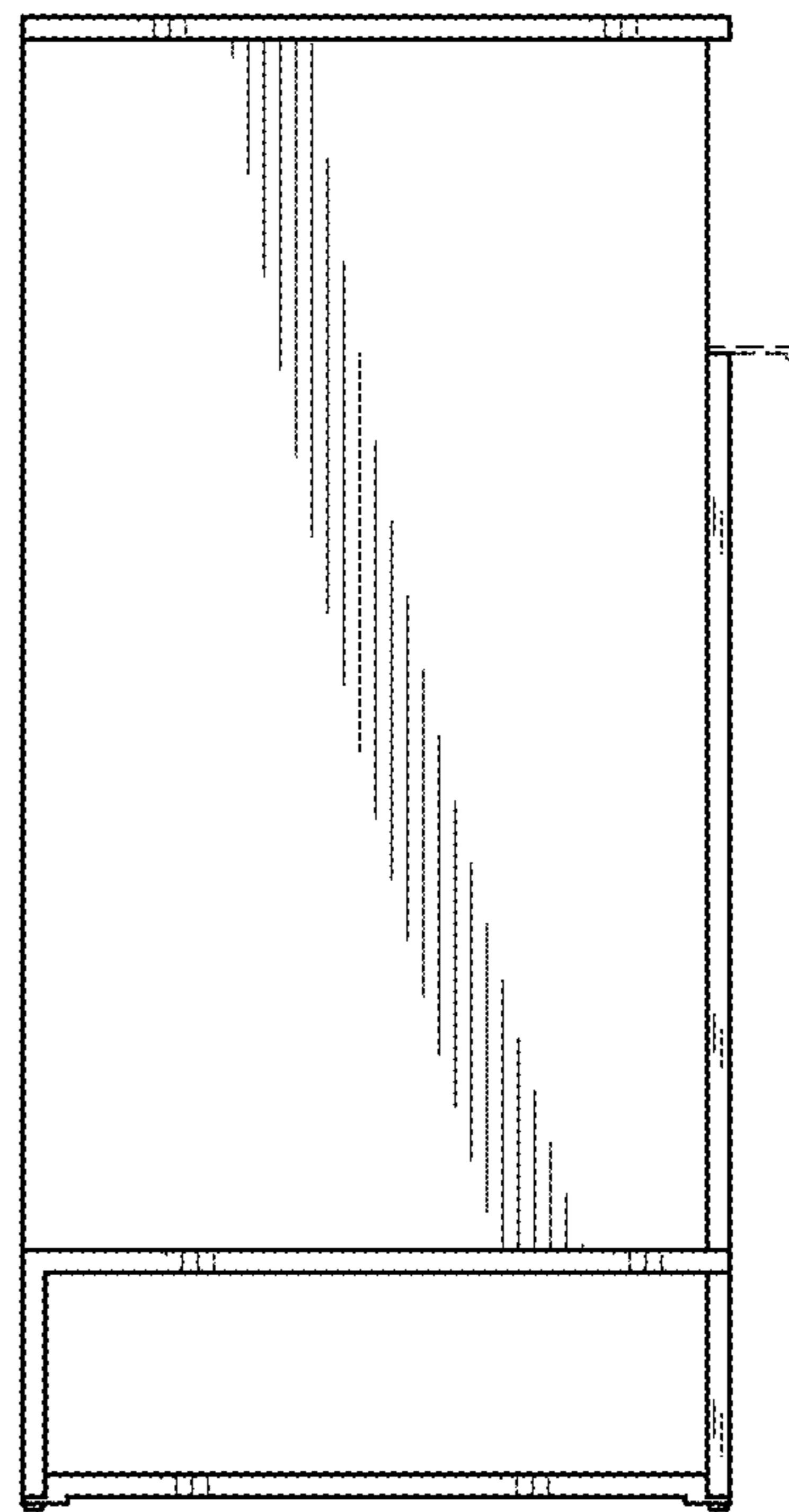


FIG. 7