



US00D922792S

(12) **United States Design Patent**
Yang

(10) **Patent No.:** **US D922,792 S**
(45) **Date of Patent:** **** Jun. 22, 2021**

(54) **COLLAPSIBLE RIFLE RACK**

(71) Applicant: **Zijiang Yang**, Fontana, CA (US)

(72) Inventor: **Zijiang Yang**, Fontana, CA (US)

(**) Term: **15 Years**

(21) Appl. No.: **29/715,613**

(22) Filed: **Dec. 3, 2019**

(51) **LOC (13) Cl.** **08-08**

(52) **U.S. Cl.**
USPC **D6/552**

(58) **Field of Classification Search**

USPC D6/552, 553, 567; D22/109; 89/37.04;
211/13.1, 60.1, 64; 248/206.5, 309.4,
248/467, 537, 683

CPC F41A 23/18; B60R 7/14
See application file for complete search history.

(56) **References Cited**

U.S. PATENT DOCUMENTS

2,122,770	A *	7/1938	Colin	C14B 1/26 211/13.1
3,164,256	A *	1/1965	Bennett	A47F 7/0028 211/70.5
D292,457	S *	10/1987	Hunter	D6/682.2
D365,717	S *	1/1996	Cardenas	D12/406
5,626,379	A *	5/1997	Scott	A47B 81/005 211/195
D424,141	S *	5/2000	Eckmann	D21/686
D473,991	S *	4/2003	Moon	D34/14
D555,961	S *	11/2007	Lien	D6/552
D622,086	S *	8/2010	Leung	D6/552
D630,875	S *	1/2011	Leung	D6/552
8,479,928	B2 *	7/2013	Tanabe	A47B 43/00 211/64
D824,483	S *	7/2018	Byrd	D22/147
2006/0289367	A1 *	12/2006	Cossey	A45D 44/06 211/13.1

OTHER PUBLICATIONS

Savior equipment website, shorty rifle rack, Aug. 6, 2020, https://web.archive.org/web/2020*/https://www.saviorequipment.com/collections/firearm-storage/products/shorty-rifle-rack (Year: 2020).*

* cited by examiner

Primary Examiner — Nathan M Johnston

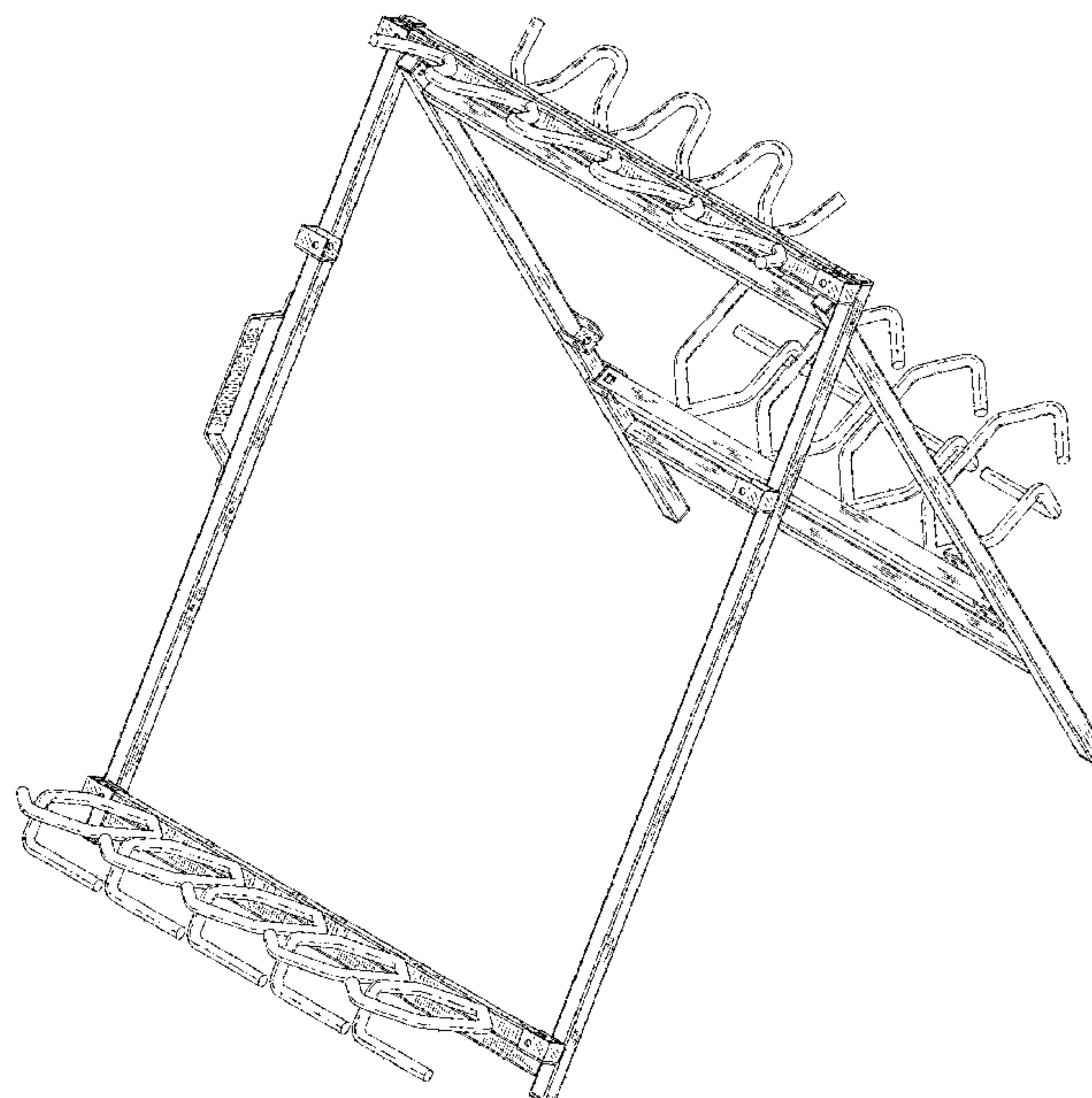
(57) **CLAIM**

I claim the ornamental design for a collapsible rifle rack, as shown and described.

DESCRIPTION

FIG. 1 is an isometric view of a collapsible rifle rack in an open configuration showing my new design.
 FIG. 2 is a front elevation view thereof.
 FIG. 3 is a rear elevation view thereof.
 FIG. 4 is a right side elevation view thereof.
 FIG. 5 is a left side elevation view thereof.
 FIG. 6 is a top plan view thereof.
 FIG. 7 is a bottom plan view thereof.
 FIG. 8 is an isometric view thereof in a collapsed configuration.
 FIG. 9 is a front elevation view thereof.
 FIG. 10 is a rear elevation view thereof.
 FIG. 11 is a right side elevation view thereof.
 FIG. 12 is a left side elevation view thereof.
 FIG. 13 is a top plan view thereof; and,
 FIG. 14 is a bottom plan view thereof.
 The broken lines are for environmental purposes only and form no part of the claimed design.
 The claimed collapsible rifle rack can be placed on the floor and used to store rifles in an upright position.

1 Claim, 12 Drawing Sheets



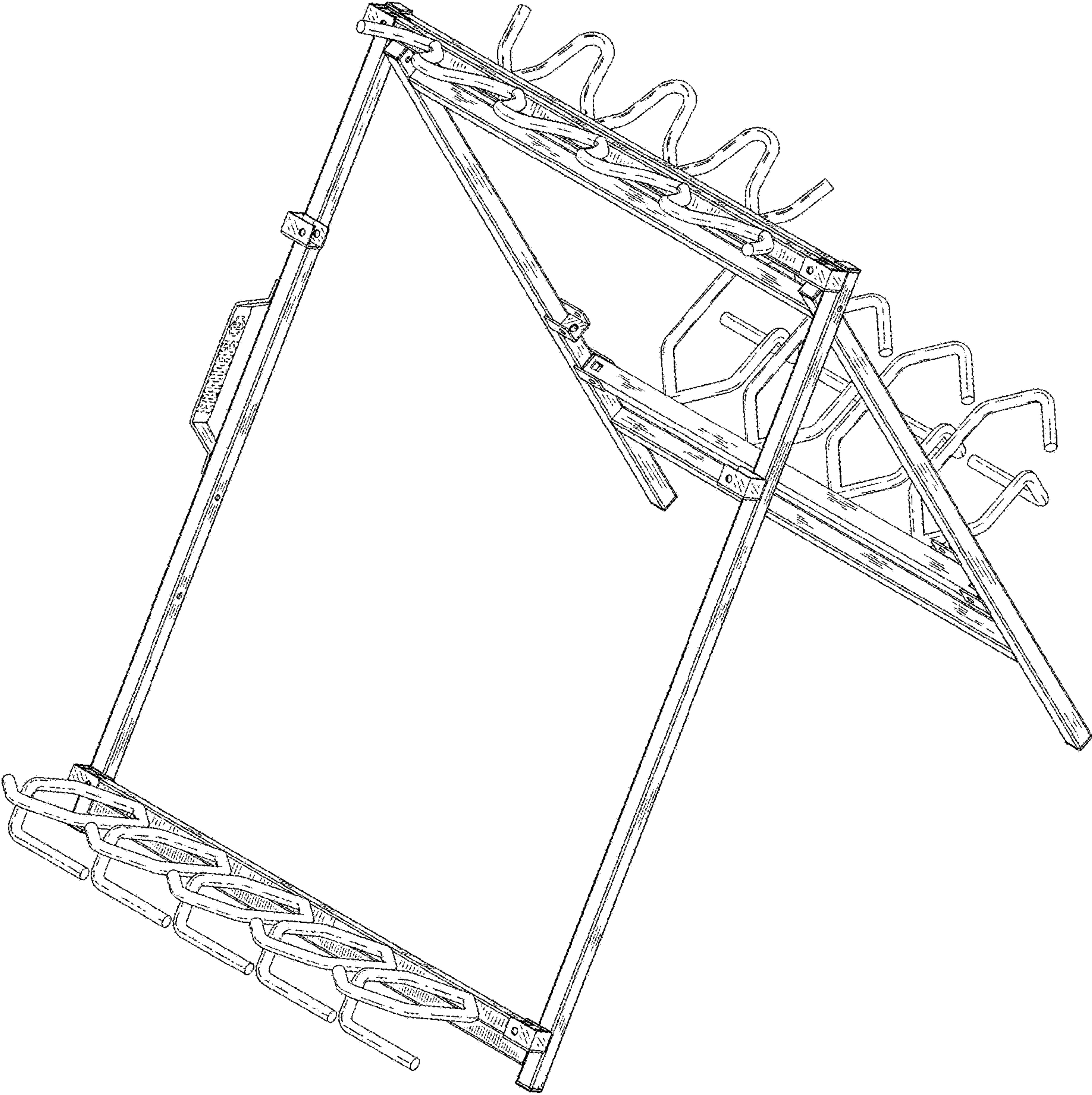


Fig. 1

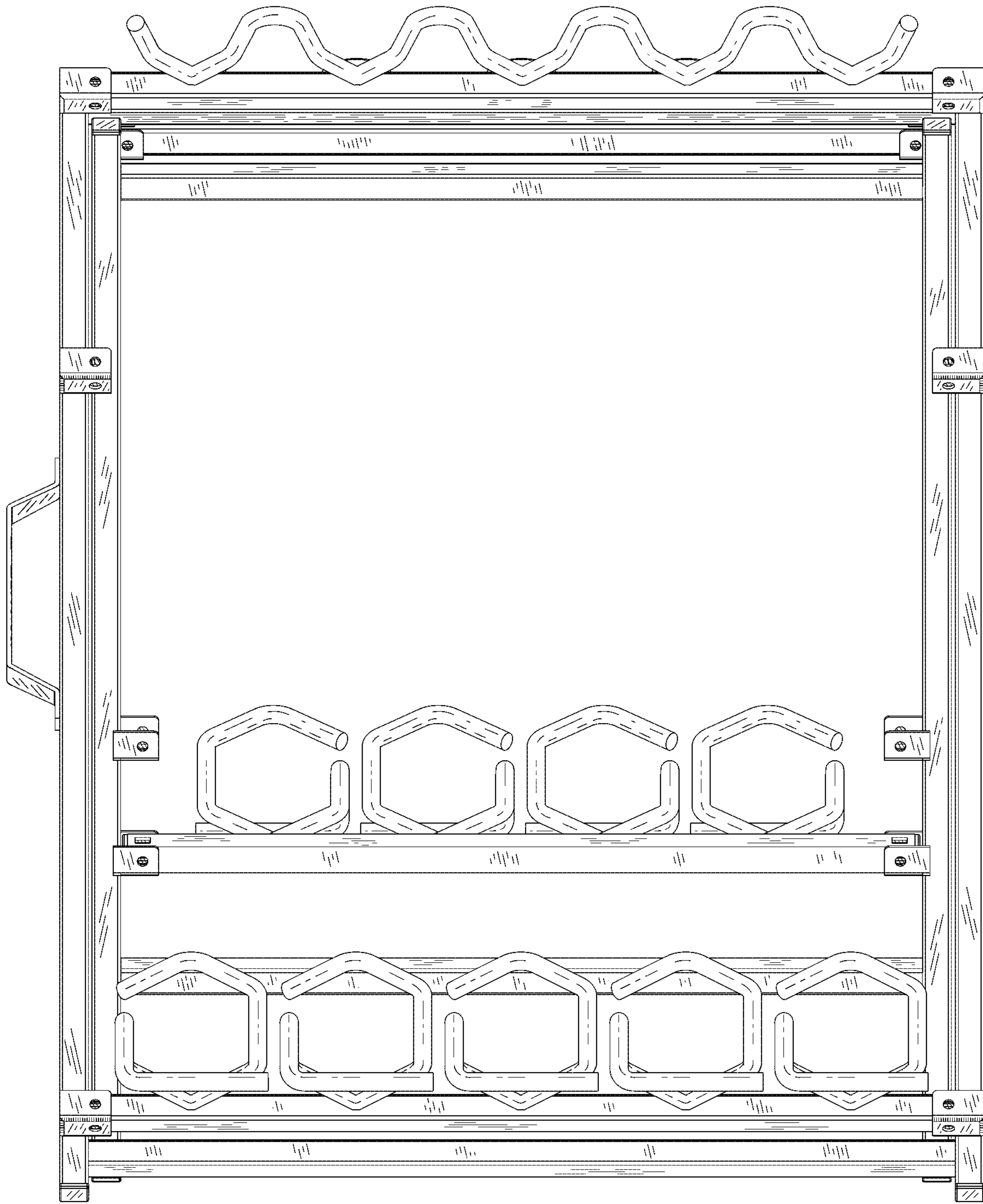


Fig. 2

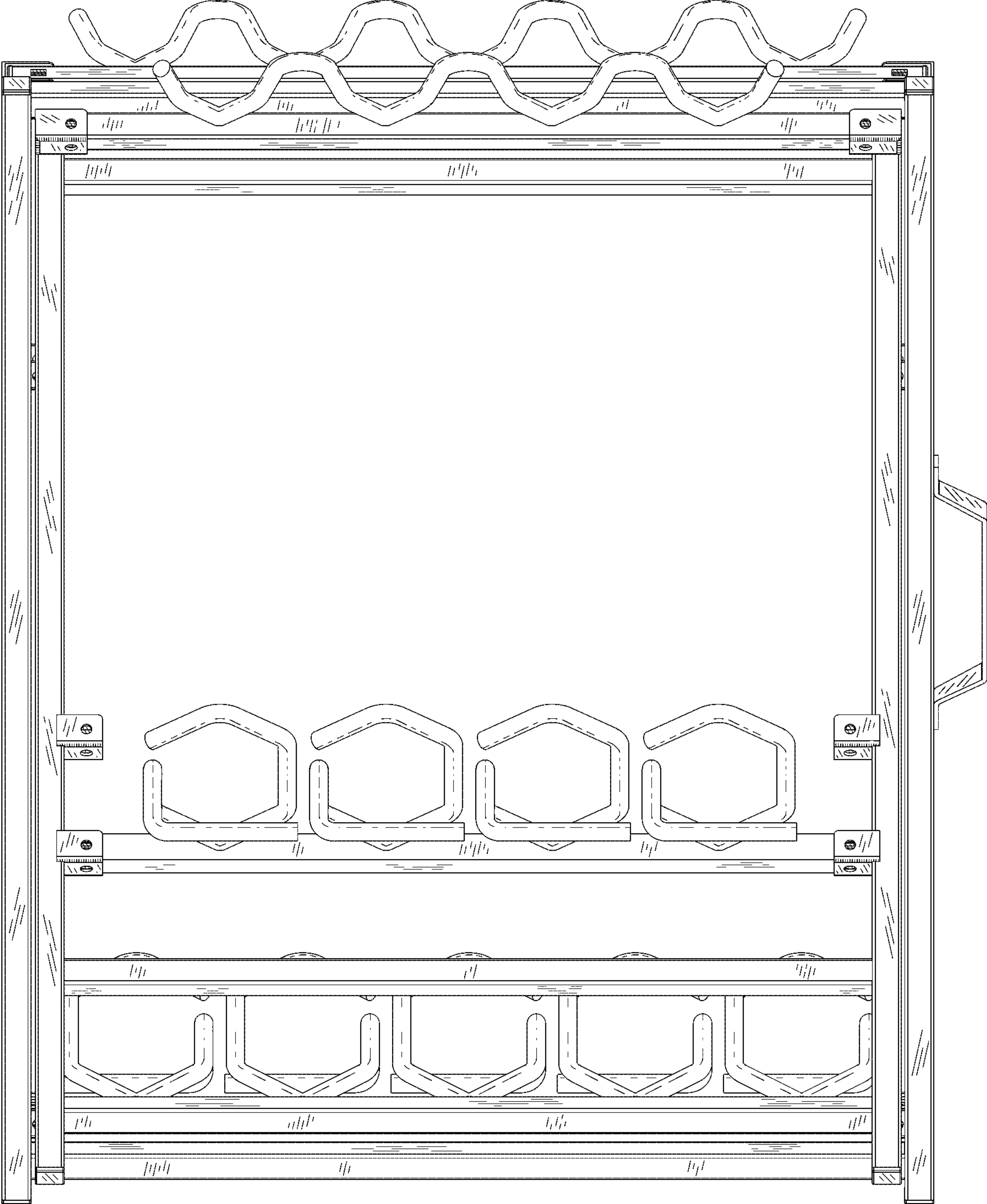


Fig. 3

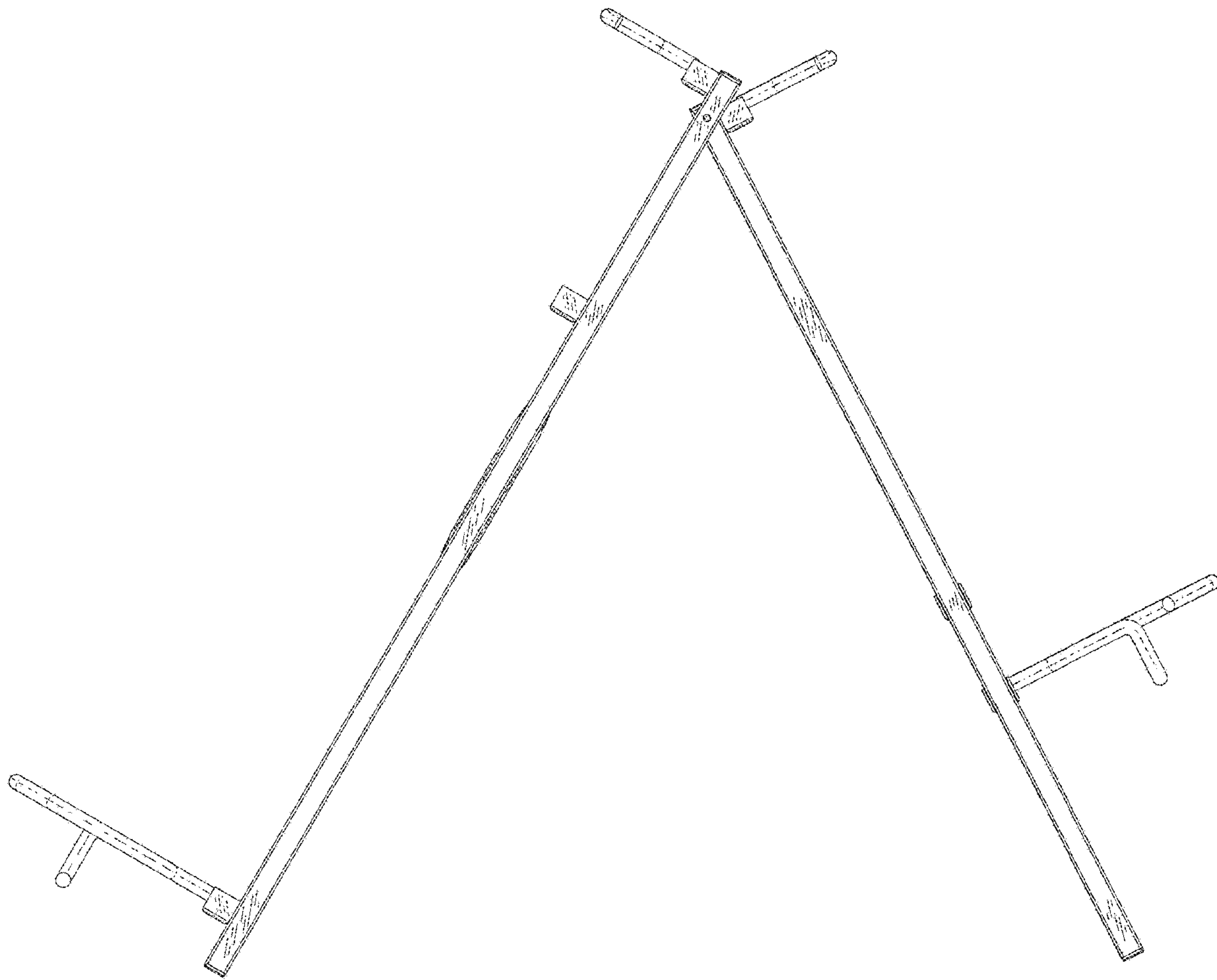


Fig. 4

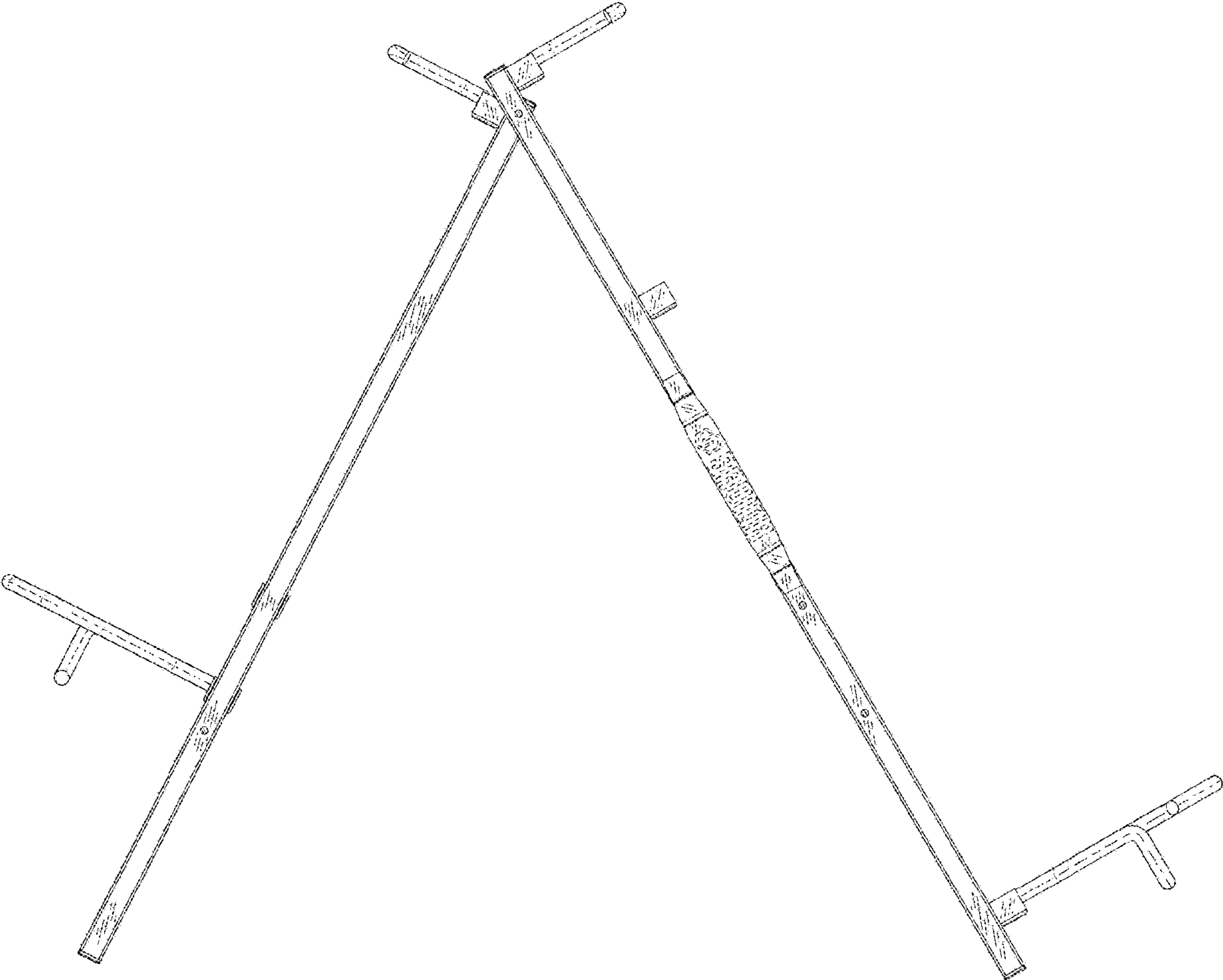


Fig. 5

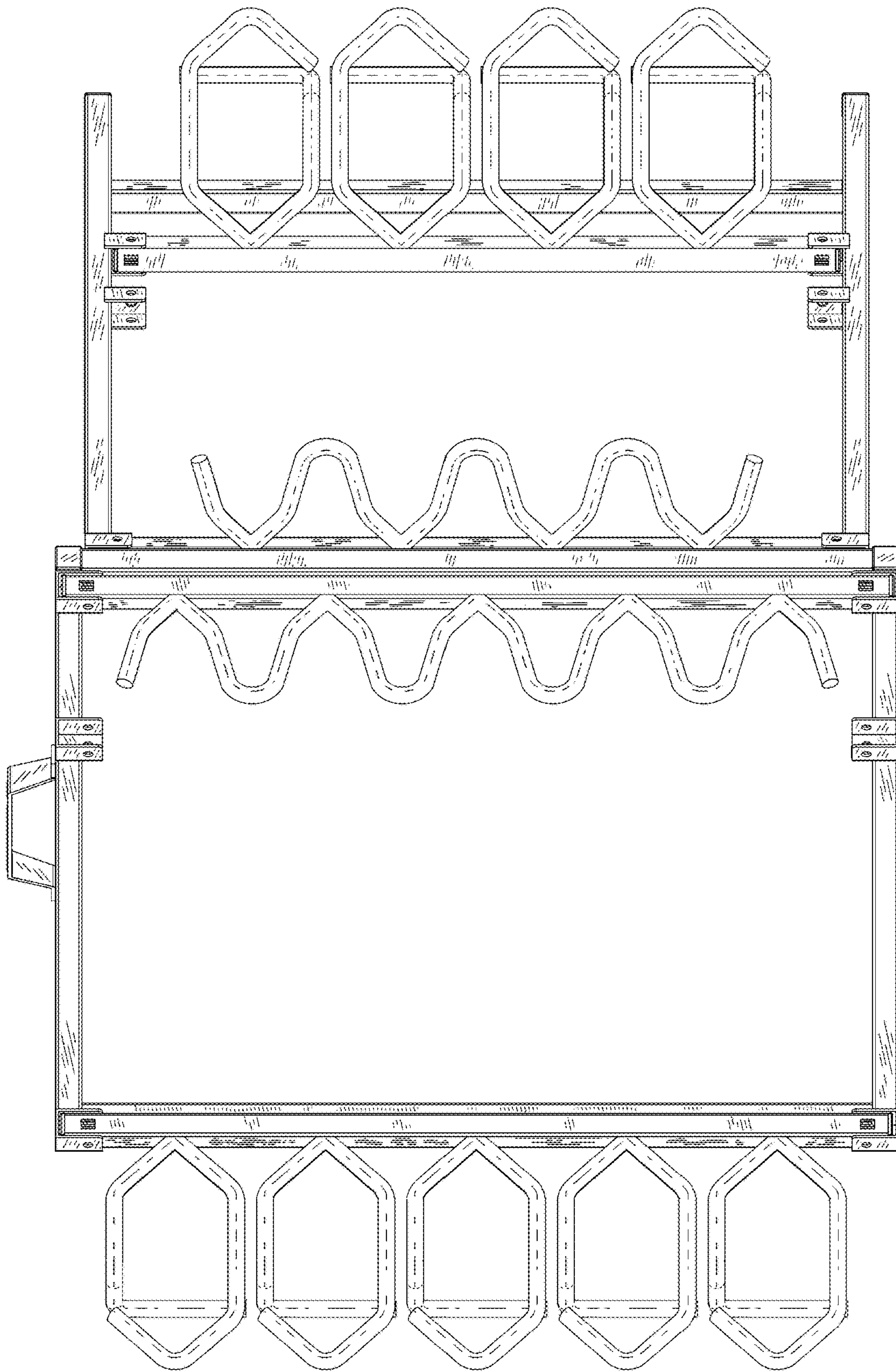


Fig. 6

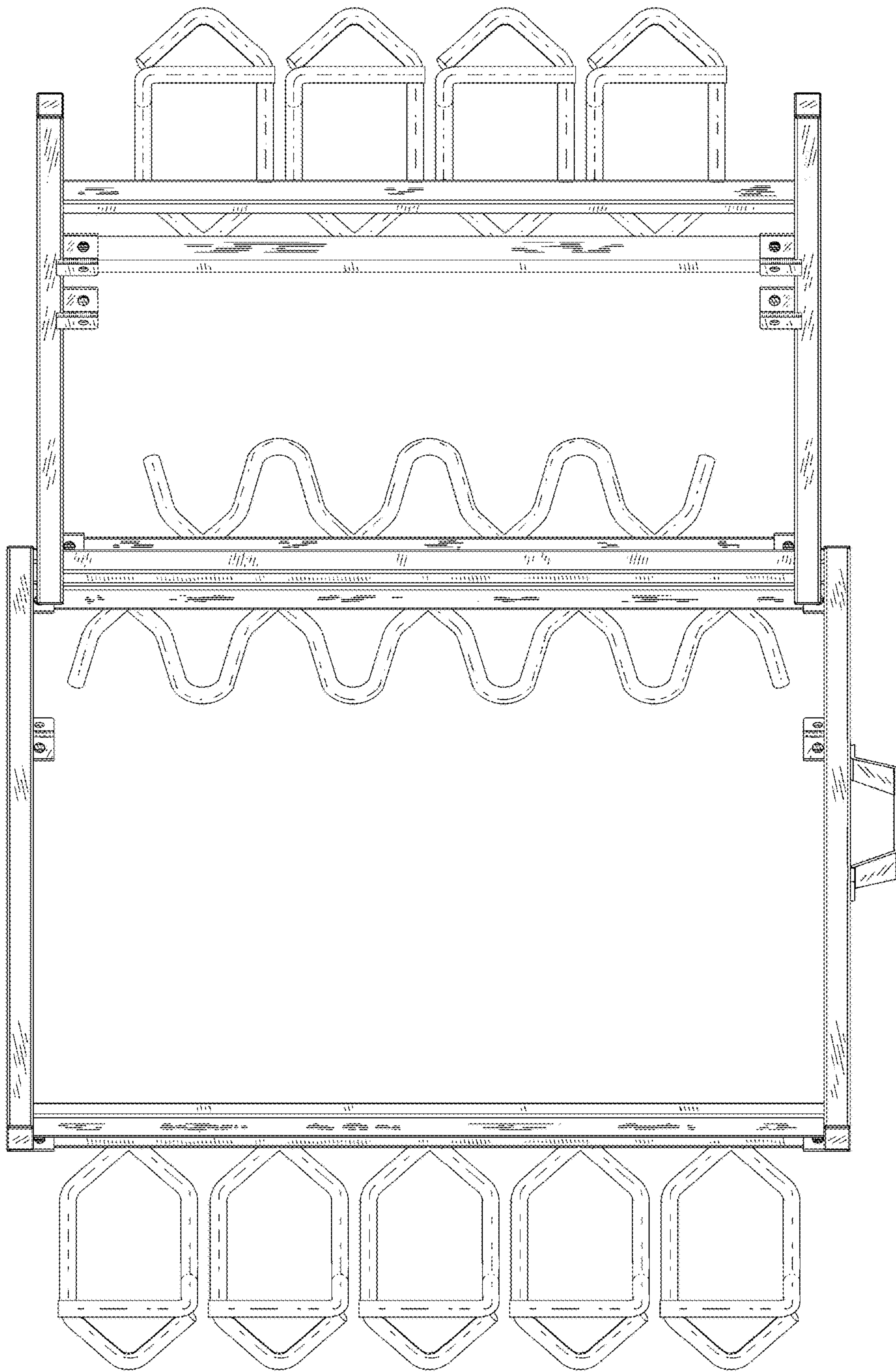


Fig. 7

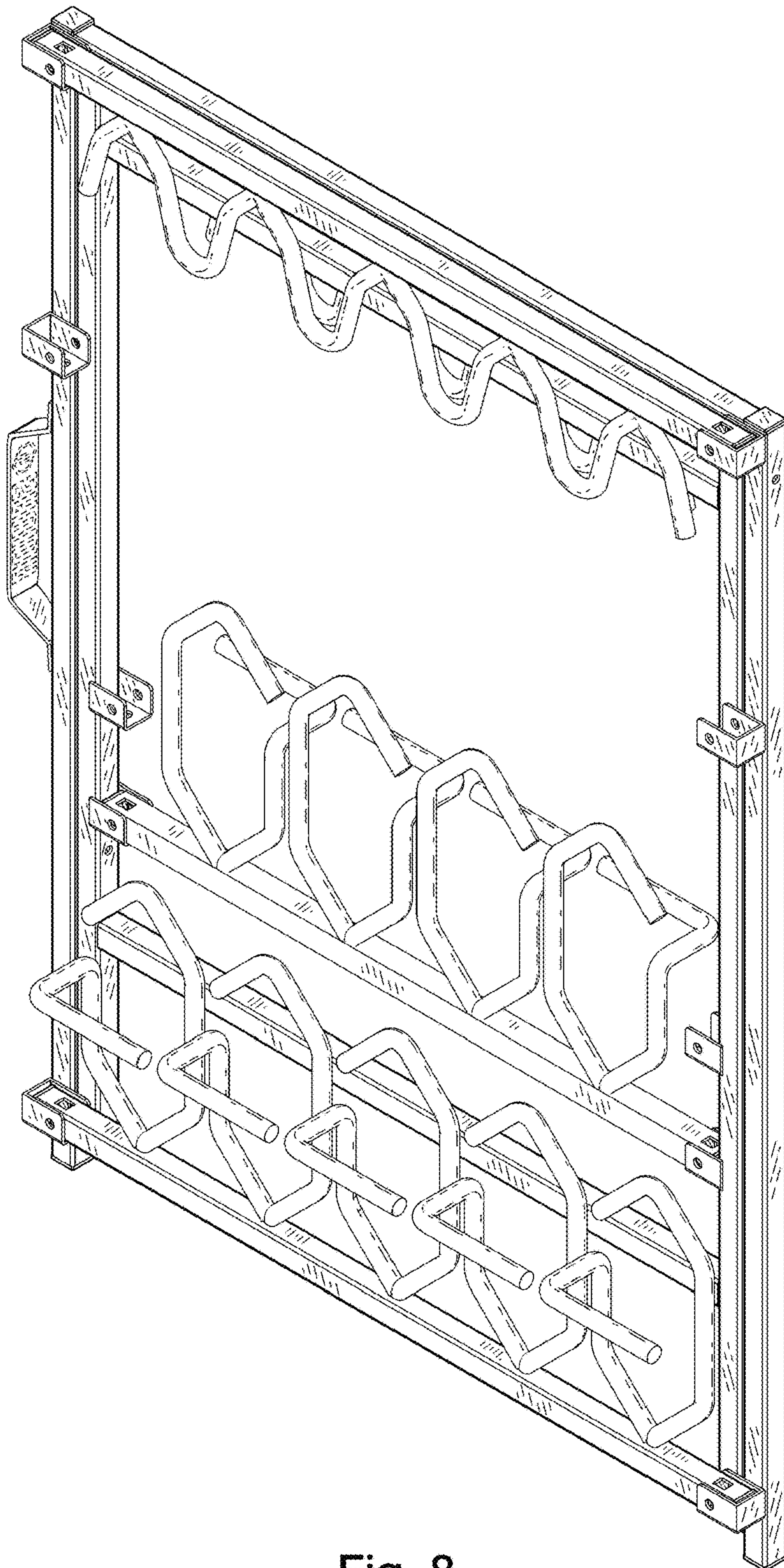


Fig. 8

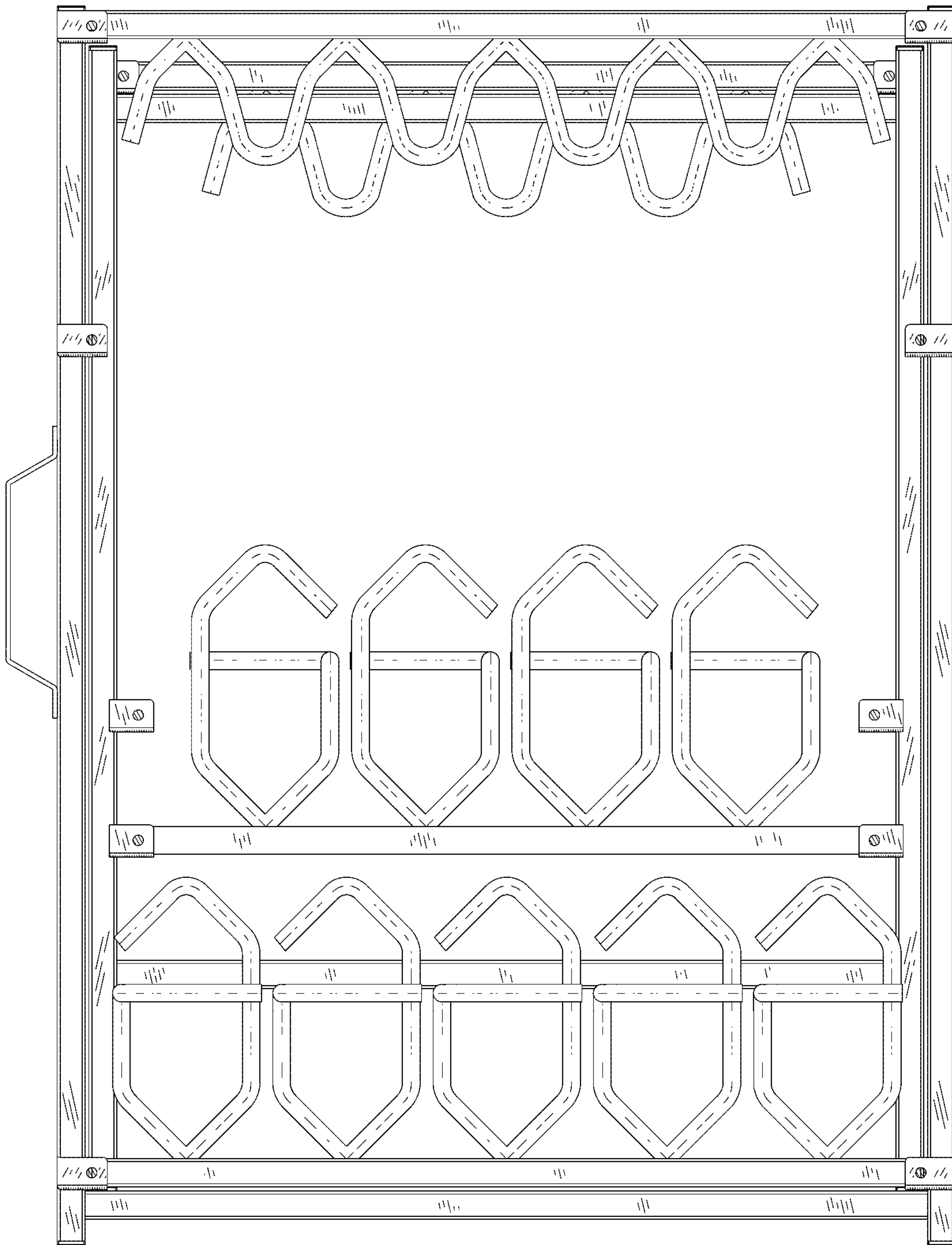


Fig. 9

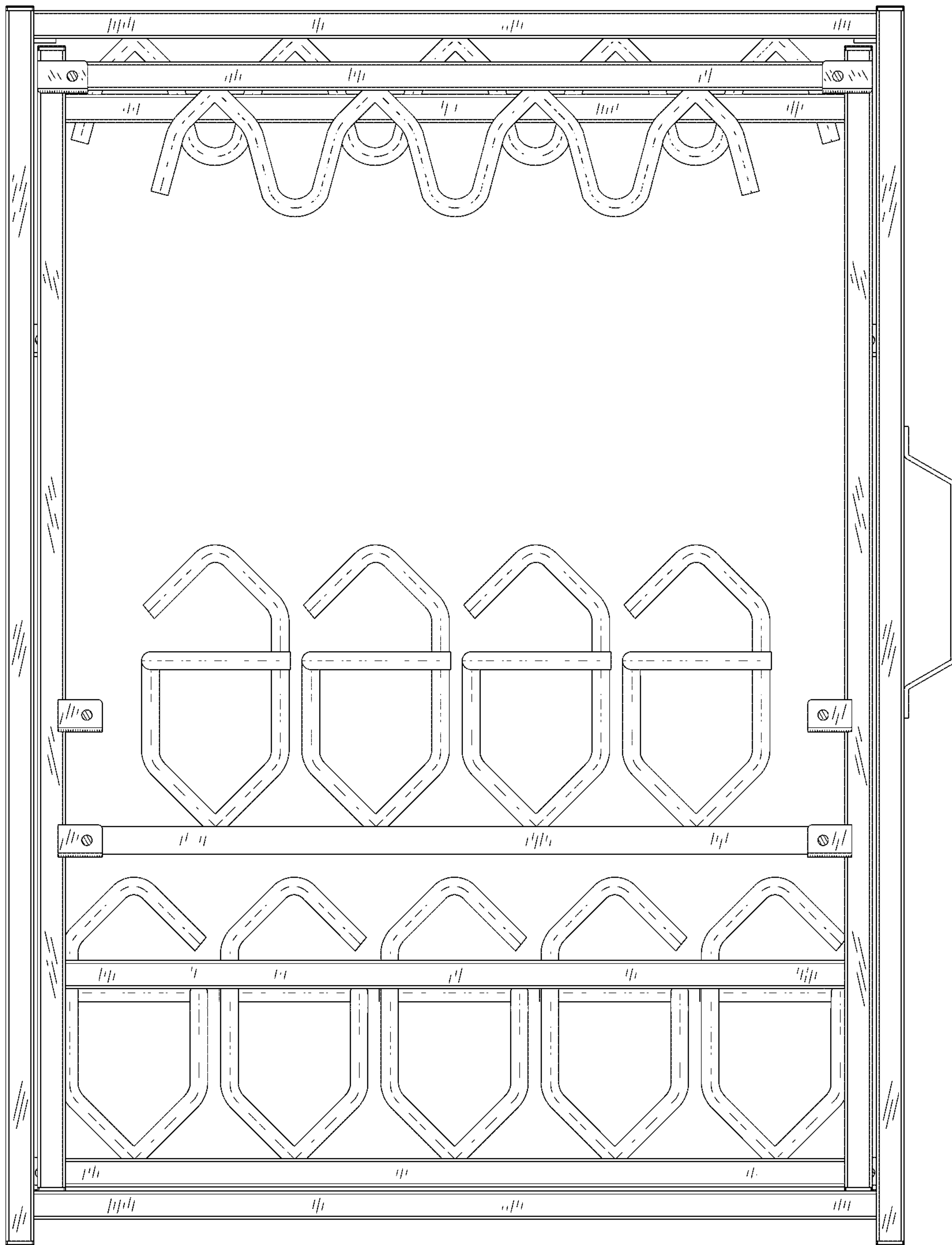


Fig. 10

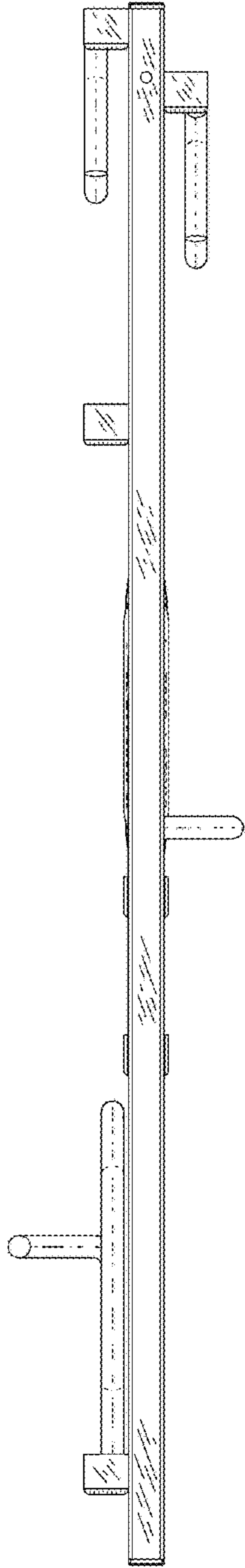


Fig. 11

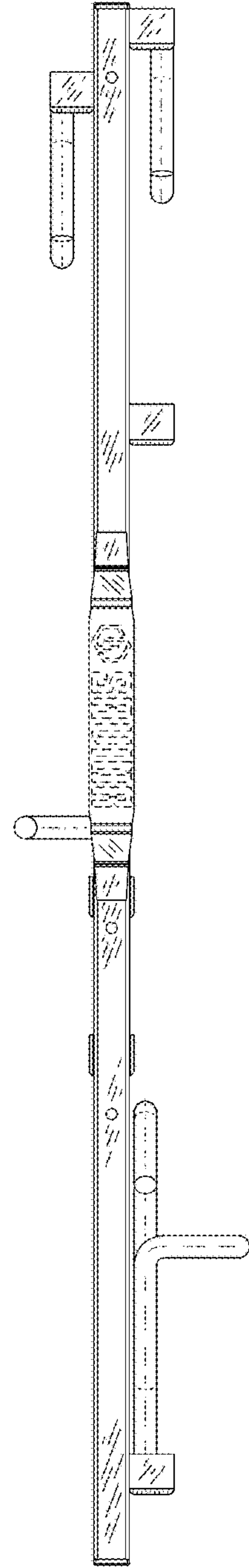


Fig. 12

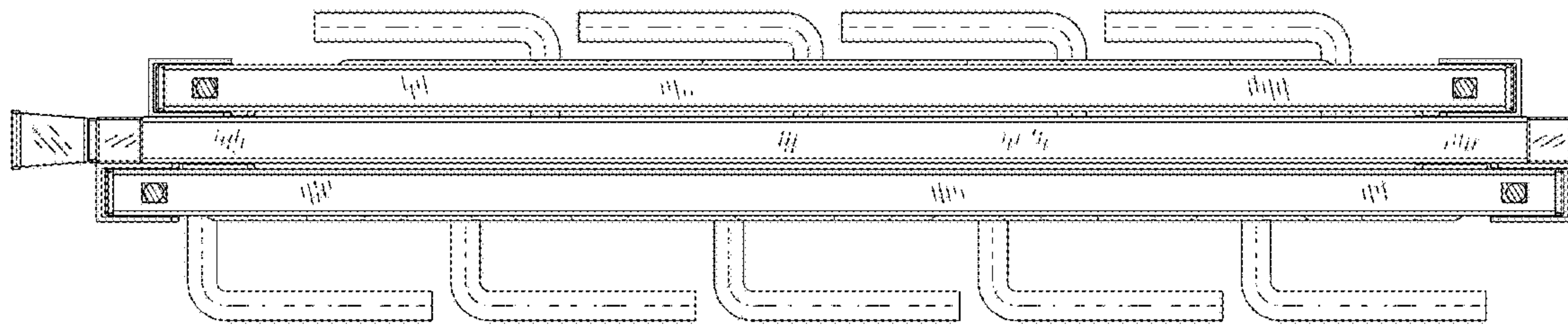


Fig. 13

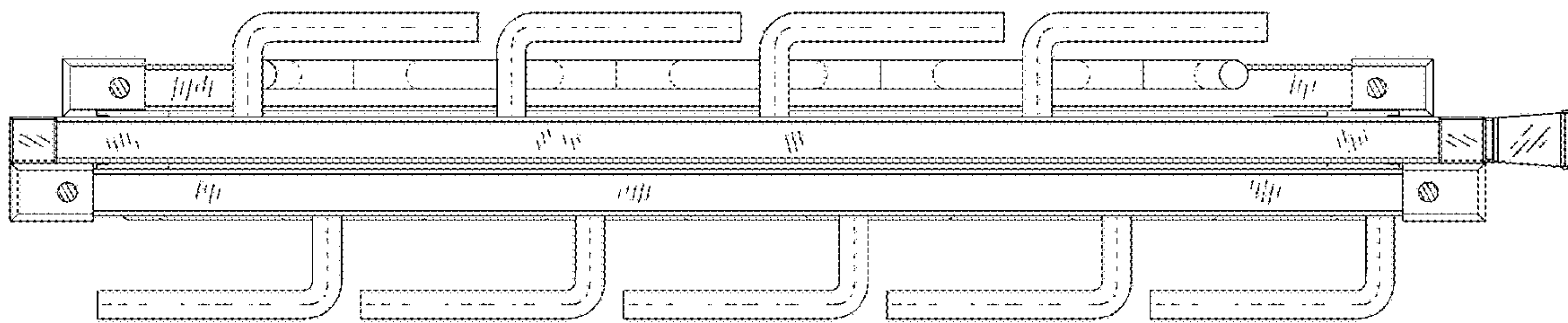


Fig. 14