



US00D922786S

(12) **United States Design Patent**
Koh

(10) **Patent No.:** **US D922,786 S**

(45) **Date of Patent:** **** Jun. 22, 2021**

(54) **HIGH CHAIR**

(71) Applicant: **Tuang-Hock Koh**, Taichung (TW)

(72) Inventor: **Tuang-Hock Koh**, Taichung (TW)

(73) Assignee: **HARVEST-EXCEL
INTERNATIONAL PTE. LTD.**,
Taichung (TW)

(**) Term: **15 Years**

(21) Appl. No.: **29/731,262**

(22) Filed: **Apr. 14, 2020**

(51) **LOC (13) Cl.** **06-01**

(52) **U.S. Cl.**
USPC **D6/360**

(58) **Field of Classification Search**
USPC D6/334, 349, 360, 361, 364, 365, 366,
D6/367, 375, 378, 379, 380
CPC .. A47C 3/00; A47C 3/18; A47C 3/185; A47C
3/20; A47C 1/00; A47C 1/02; A47C
1/022; A47C 1/037; A47C 7/24; A47C
7/36; A47C 7/46; A47C 7/18; A47C 7/50;
A47C 13/005; A47C 15/002; A47C
17/02; A47C 9/007

See application file for complete search history.

(56) **References Cited**

U.S. PATENT DOCUMENTS

D486,313 S * 2/2004 Manzali D6/360
D638,633 S * 5/2011 Du D6/360

D645,267 S * 9/2011 Aubry D6/360
D670,926 S * 11/2012 Ukmarr D6/349
D796,220 S * 9/2017 Asner D6/370
D807,091 S * 1/2018 Morrison D6/716
D814,814 S * 4/2018 Spoelhof D6/349
D846,930 S * 4/2019 Patton D6/716
D860,667 S * 9/2019 Urquiola D6/360
D891,796 S * 8/2020 Li D6/349
2019/0059596 A1* 2/2019 Wallace A47C 7/029

FOREIGN PATENT DOCUMENTS

DE 102014008338 A1 * 12/2015 A47B 13/023

* cited by examiner

Primary Examiner — R. Johnson

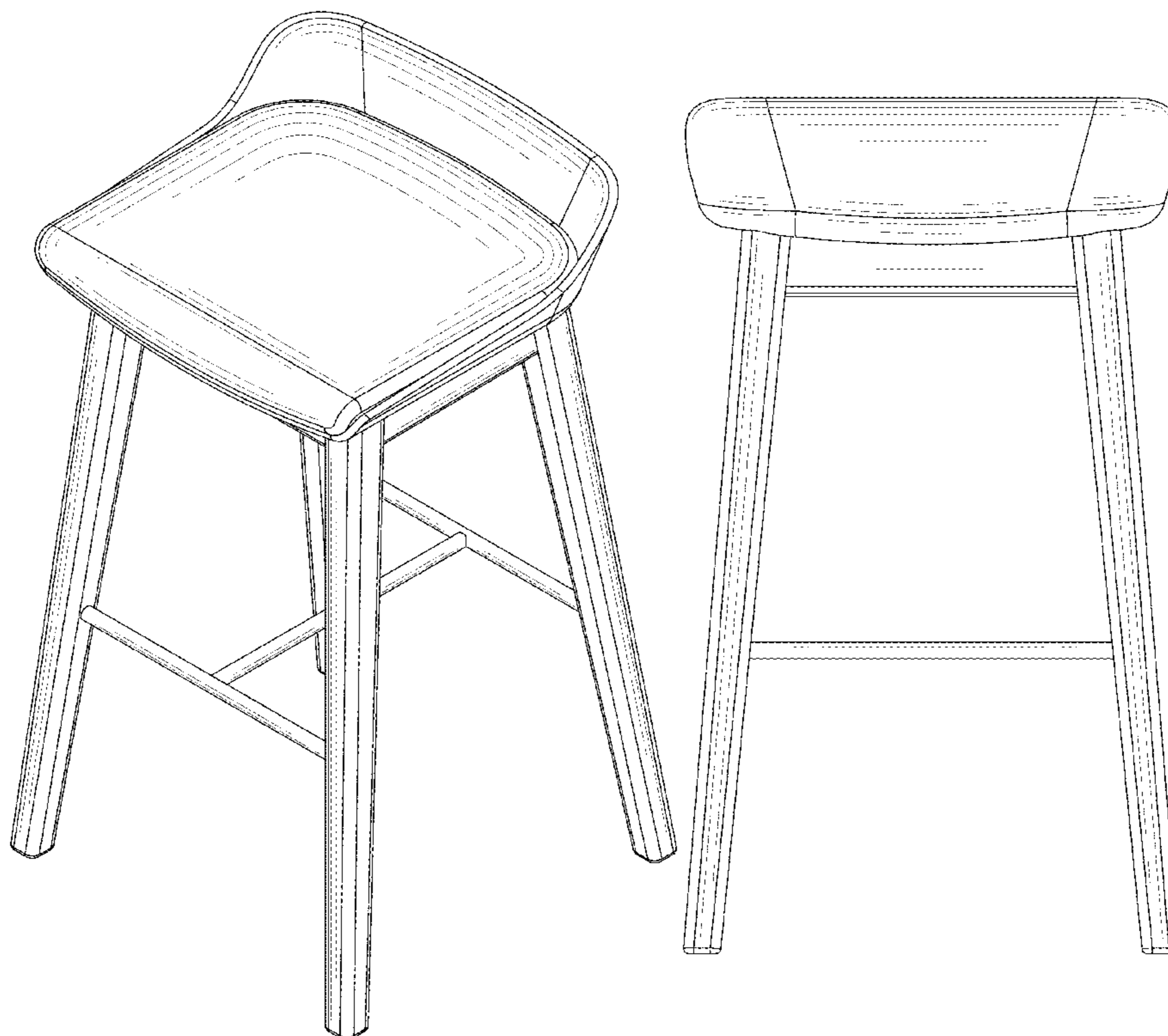
(57) **CLAIM**

The ornamental design for a high chair, as shown and described.

DESCRIPTION

FIG. 1 is a front-right-top perspective view of the high chair showing my new design;
FIG. 2 is a front elevational view thereof;
FIG. 3 is a rear front elevational view thereof;
FIG. 4 is a left side elevational view thereof;
FIG. 5 is a right side elevational view thereof;
FIG. 6 is a top plan view thereof;
FIG. 7 is a bottom plan view thereof;
FIG. 8 is a bottom perspective view thereof; and,
FIG. 9 is an another bottom perspective view thereof.

1 Claim, 9 Drawing Sheets



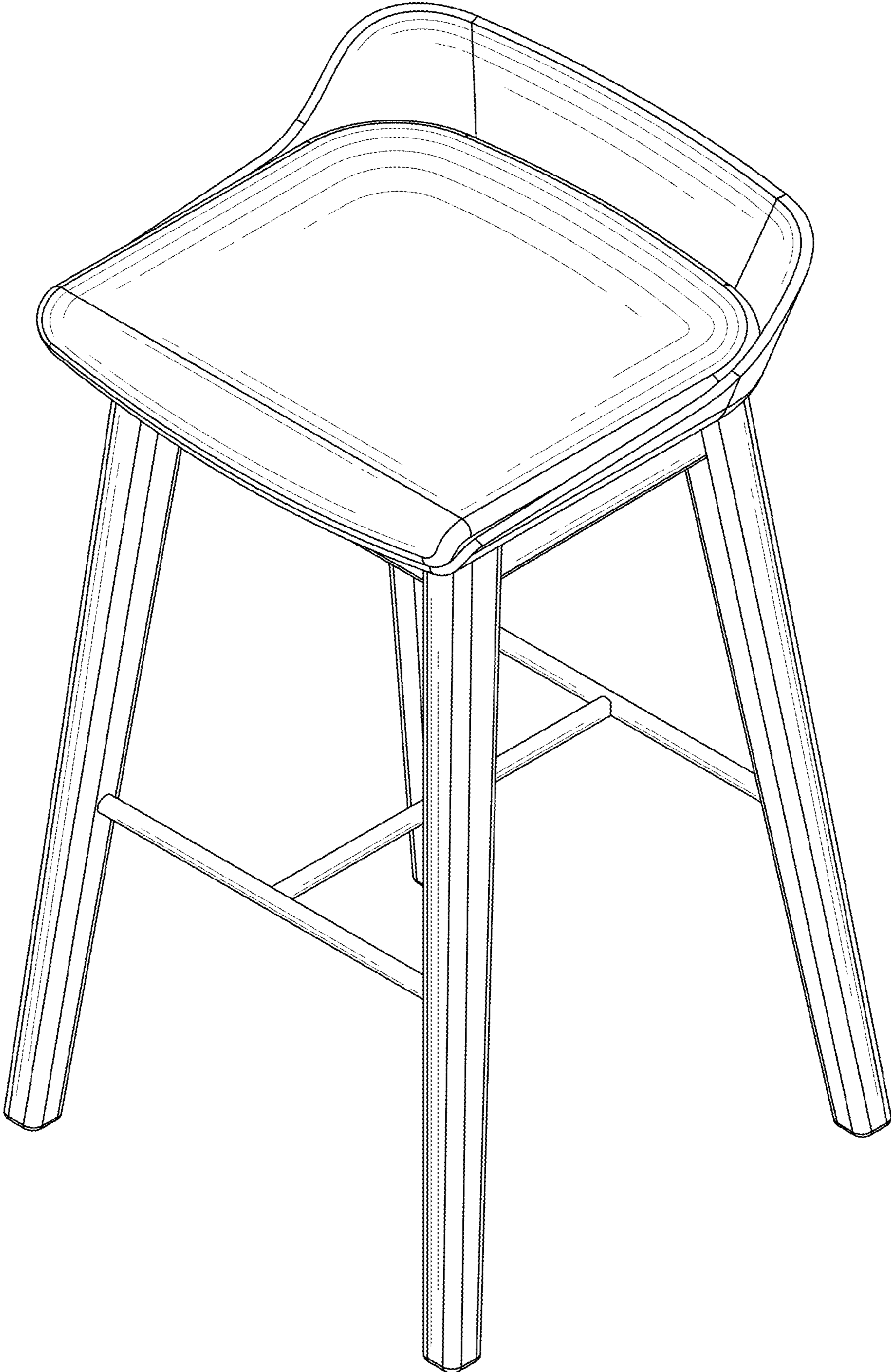


FIG.1

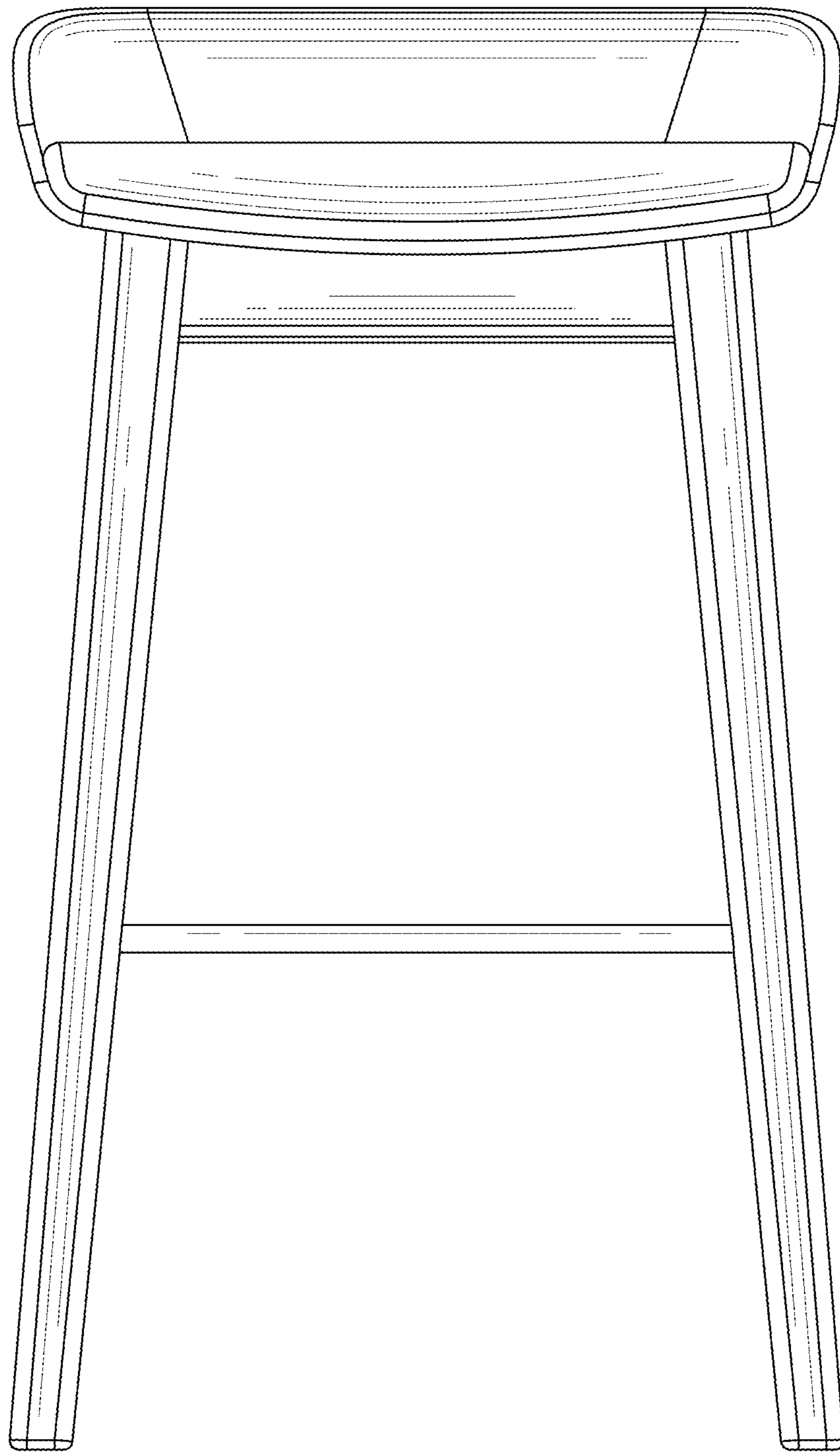


FIG.2

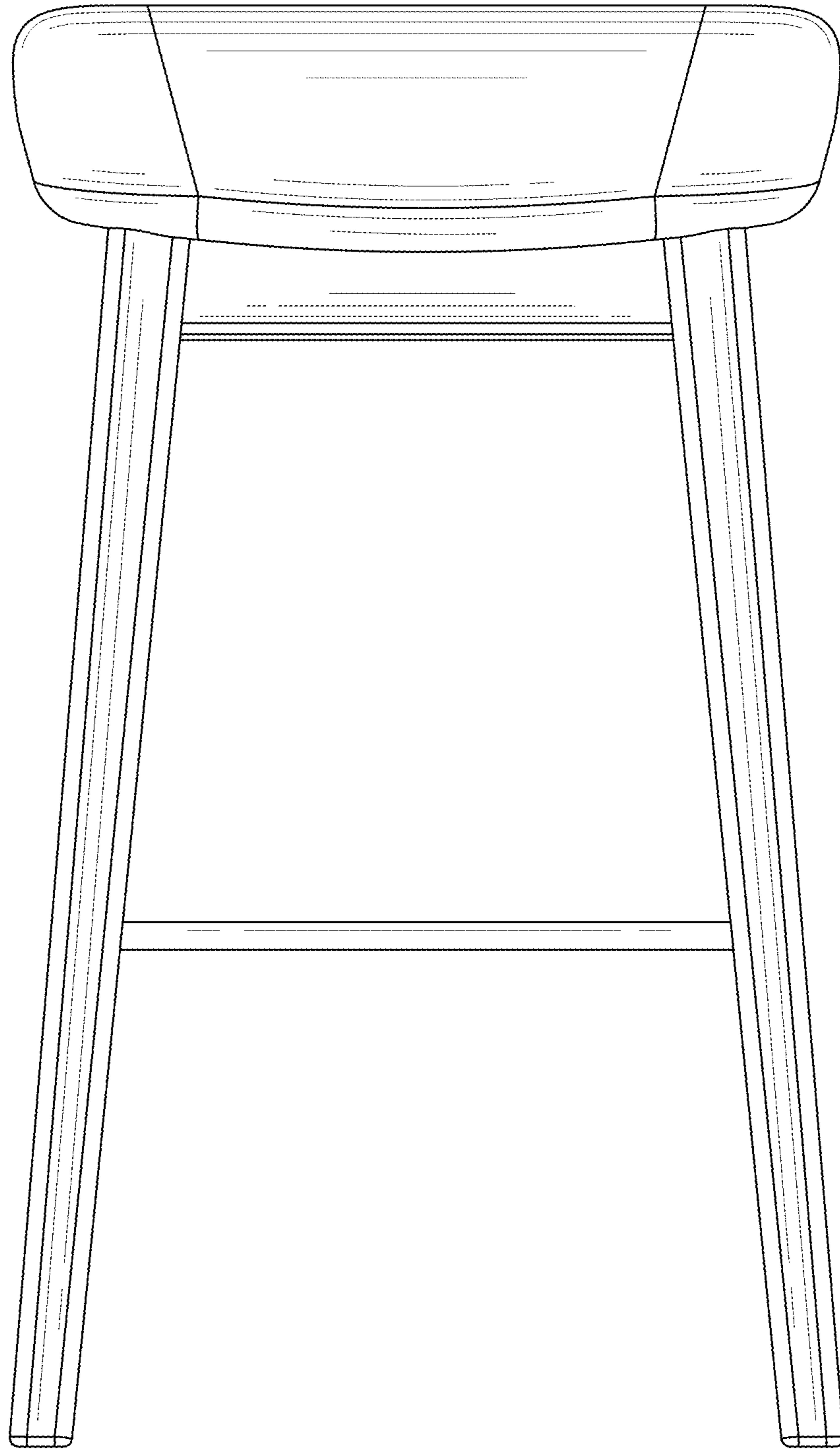


FIG.3

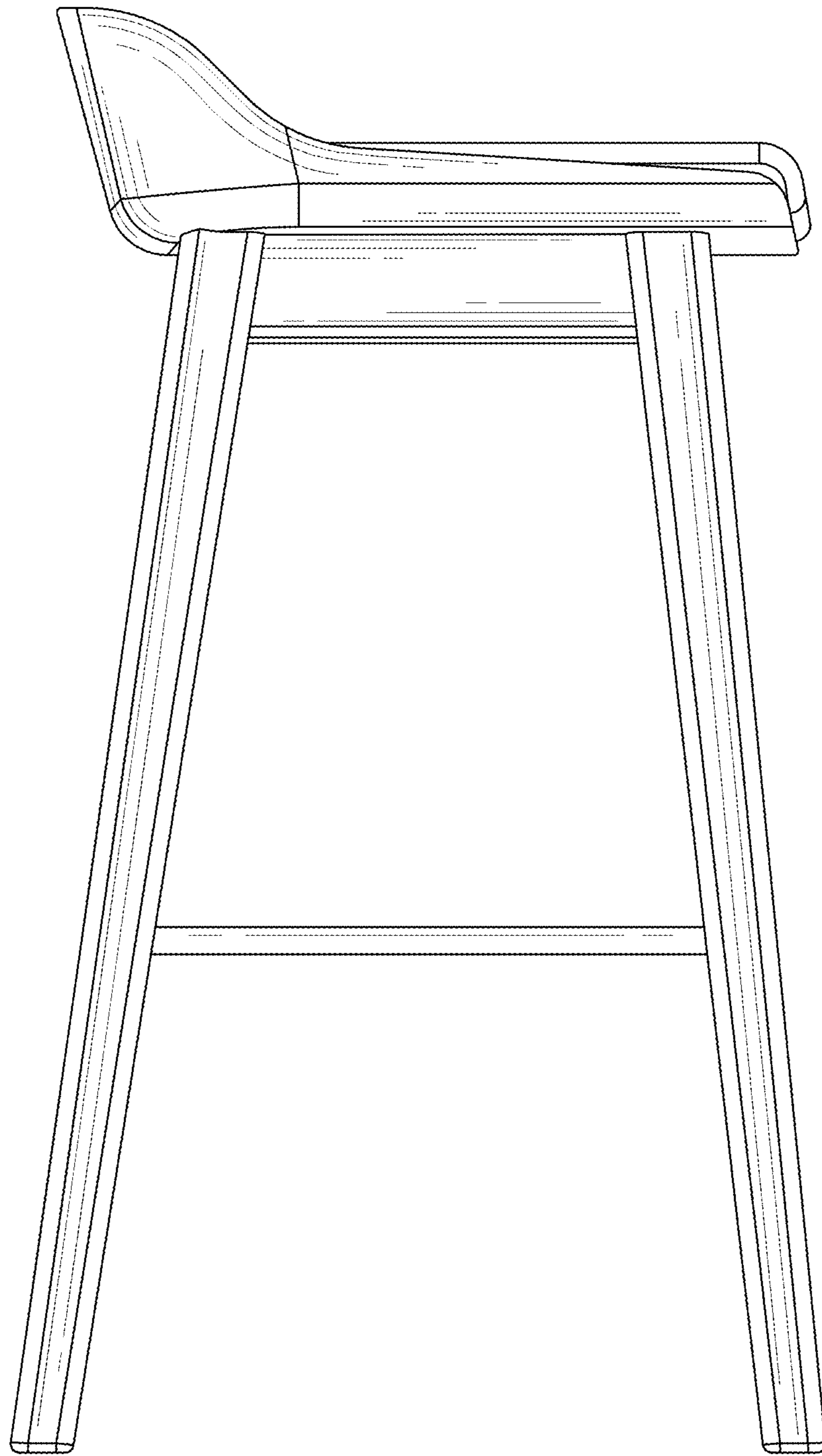


FIG.4

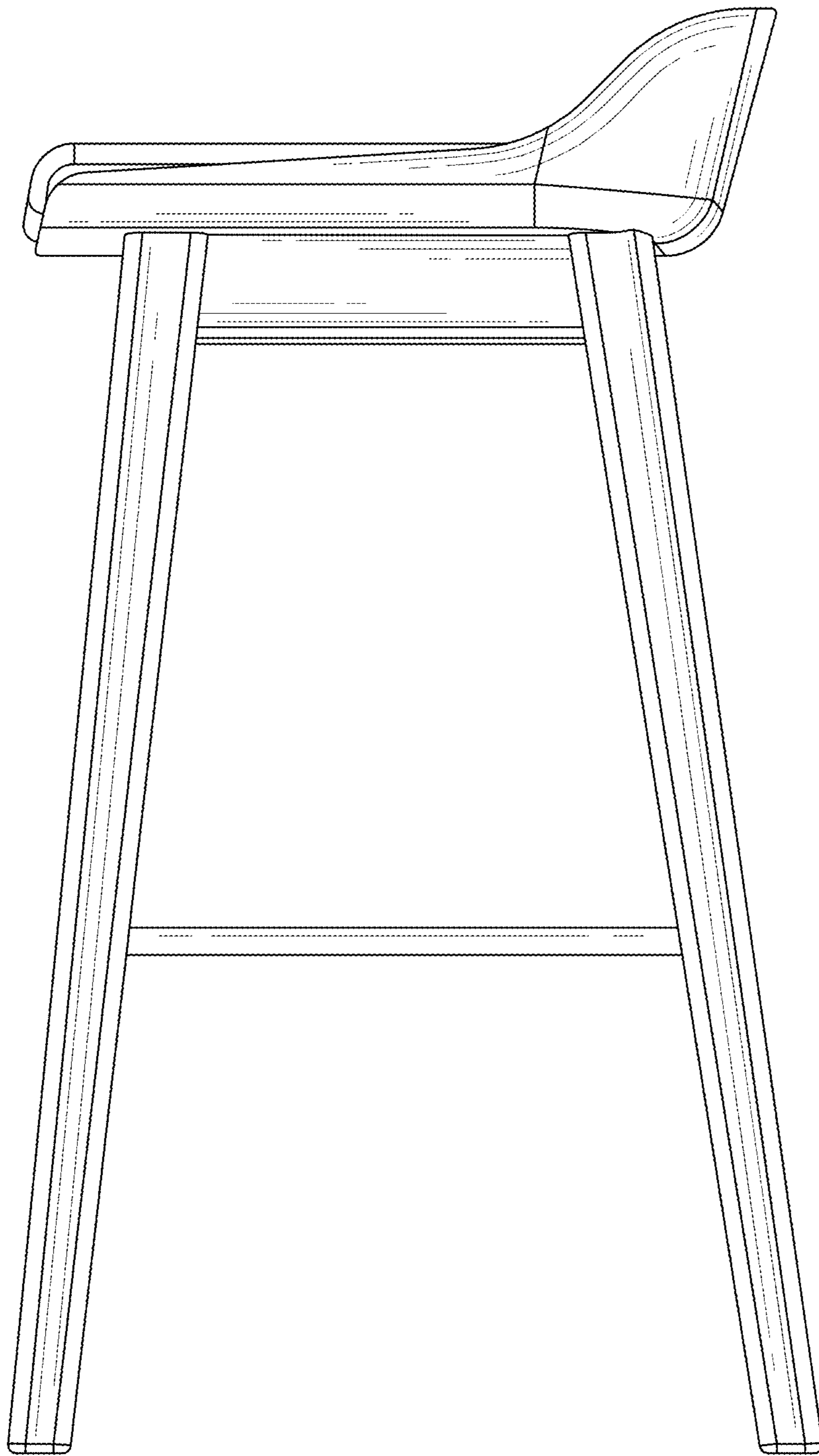


FIG.5

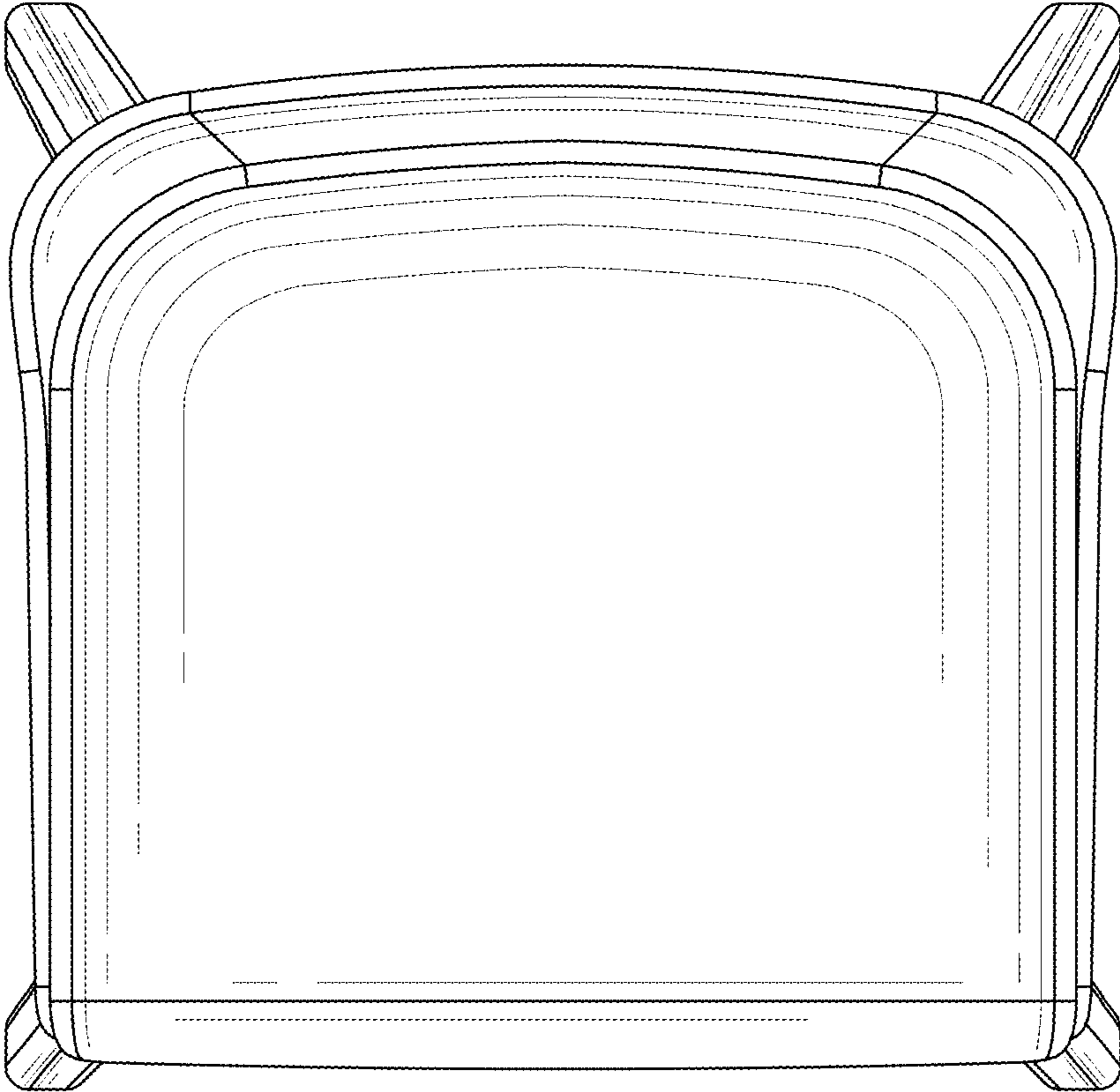


FIG.6

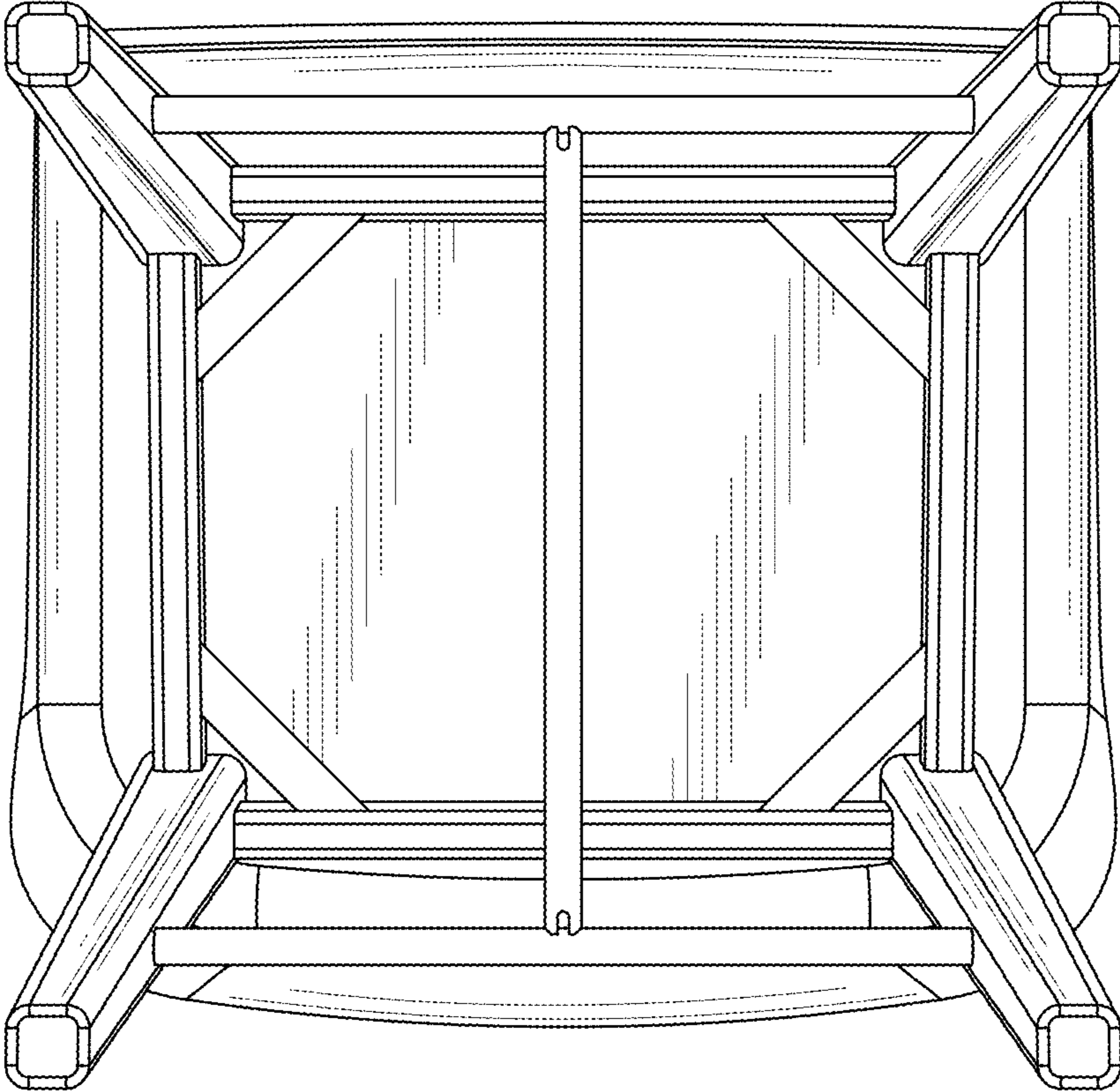


FIG.7

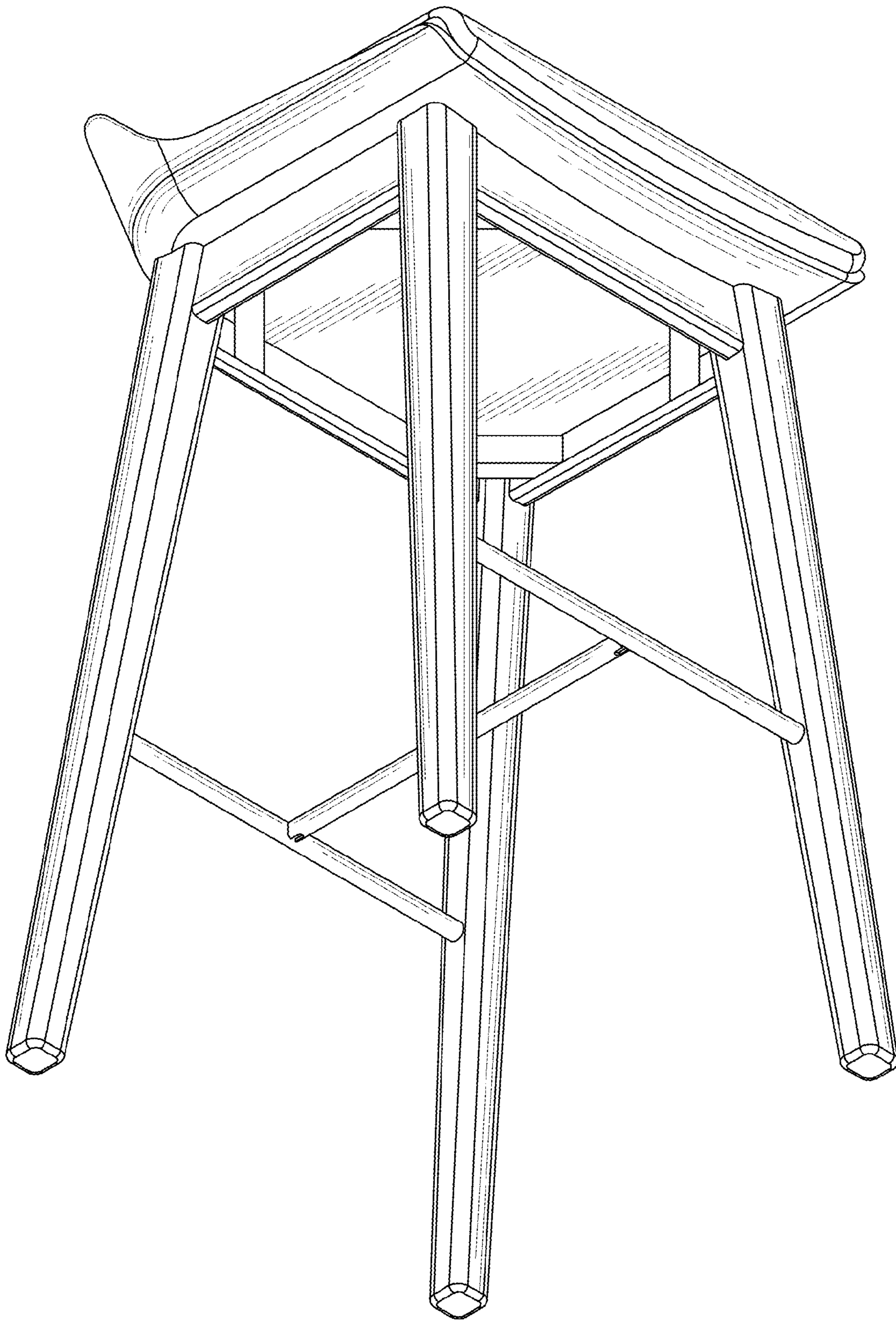


FIG. 8

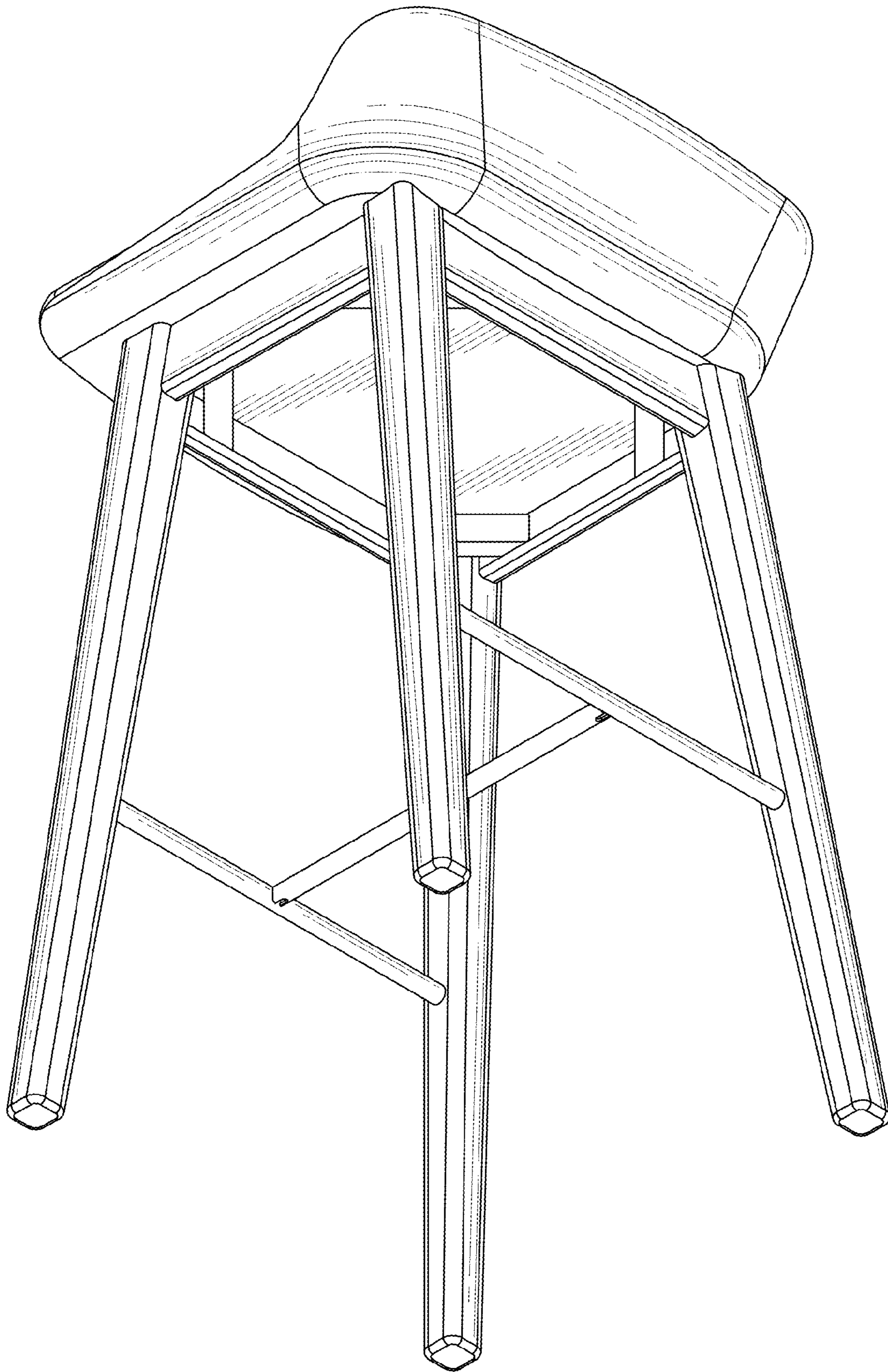


FIG.9