



US00D922783S

(12) **United States Design Patent**
Koh

(10) **Patent No.:** **US D922,783 S**

(45) **Date of Patent:** **** Jun. 22, 2021**

(54) **CHAIR**
(71) Applicant: **Tuang-Hock Koh**, Taichung (TW)
(72) Inventor: **Tuang-Hock Koh**, Taichung (TW)
(73) Assignee: **HARVEST-EXCEL INTERNATIONAL PTE. LTD.**,
Taichung (TW)

(**) Term: **15 Years**

(21) Appl. No.: **29/731,258**

(22) Filed: **Apr. 14, 2020**

(51) **LOC (13) Cl.** **06-01**

(52) **U.S. Cl.**
USPC **D6/348**

(58) **Field of Classification Search**
USPC D6/347, 348, 361, 716, 718, 344, 373,
D6/375, 379, 380, 330, 334, 335, 366,
D6/369, 372, 385, 708.16, 358, 377, 370;
D12/52; D21/412, 688; D24/183, 200
CPC A45F 3/22; A45F 3/24; A45F 3/26; A47D
13/10; A47D 13/105; A47D 9/02; A47C
1/14; A47C 3/0255; A47C 3/029; A47C
3/027; A47C 3/02; A47C 3/04; A47C
3/34; A47C 4/02; A47C 4/03; A47C 4/04;
A47C 5/12; A47C 7/52; A47C 7/506;
A47C 9/007; A47C 15/008; A47C 17/84;
A47C 31/00; A63G 9/00; A63G 9/02;
Y10S 135/909; Y10T 403/32409
See application file for complete search history.

(56) **References Cited**

U.S. PATENT DOCUMENTS

D79,058 S * 7/1929 Aiello D6/336
D101,569 S * 10/1936 Vavrik D6/348
D140,905 S * 4/1945 Handler et al. D21/521
D141,221 S * 5/1945 Rapson D6/348

D160,092 S * 9/1950 Limpus D6/348
D194,840 S * 3/1963 Ridder D6/348
D198,312 S * 6/1964 Gale D6/348
D239,223 S * 3/1976 Smith D6/348
5,203,611 A * 4/1993 Greenwood A47D 13/107
297/275
D637,830 S * 5/2011 Li D6/372
D648,559 S * 11/2011 Thau D6/373
D655,101 S * 3/2012 Greutmann D6/372
D658,397 S * 5/2012 Andreucci D6/372
D703,961 S * 5/2014 Woodring D6/348
D744,764 S * 12/2015 Sakaguchi D6/353
D904,044 S * 12/2020 Weiss D6/348
2011/0283454 A1 * 11/2011 Springer A61G 15/005
5/602

* cited by examiner

Primary Examiner — Kevin K Rudzinski

Assistant Examiner — Paul D Bohannon

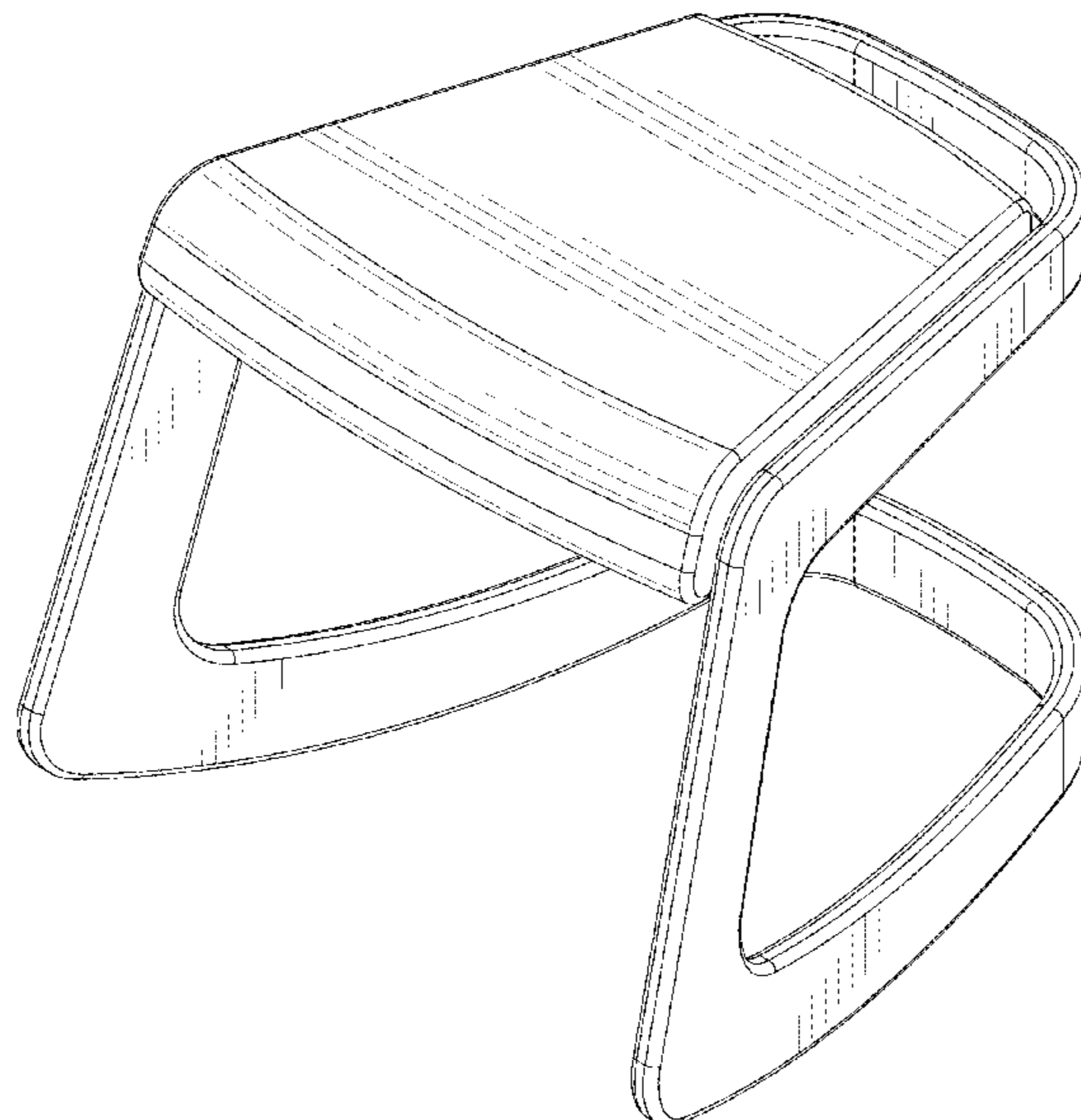
(57) **CLAIM**

The ornamental design for a chair, as shown and described.

DESCRIPTION

FIG. 1 is a front-right-top perspective view of the chair showing my new design;
FIG. 2 is a front elevational view thereof;
FIG. 3 is a rear front elevational view thereof;
FIG. 4 is a left side elevational view thereof;
FIG. 5 is a right side elevational view thereof;
FIG. 6 is a top plan view thereof;
FIG. 7 is a bottom plan view thereof;
FIG. 8 is a bottom perspective view thereof;
FIG. 9 is a perspective view thereof, showing the chair being stacked together with environmental structure; and,
FIG. 10 is another perspective view thereof, showing the chair being placed on alternate environmental structure.
The broken lines shown in FIGS. 9 and 10 represent environmental structure and form no part of the claimed design.

1 Claim, 10 Drawing Sheets



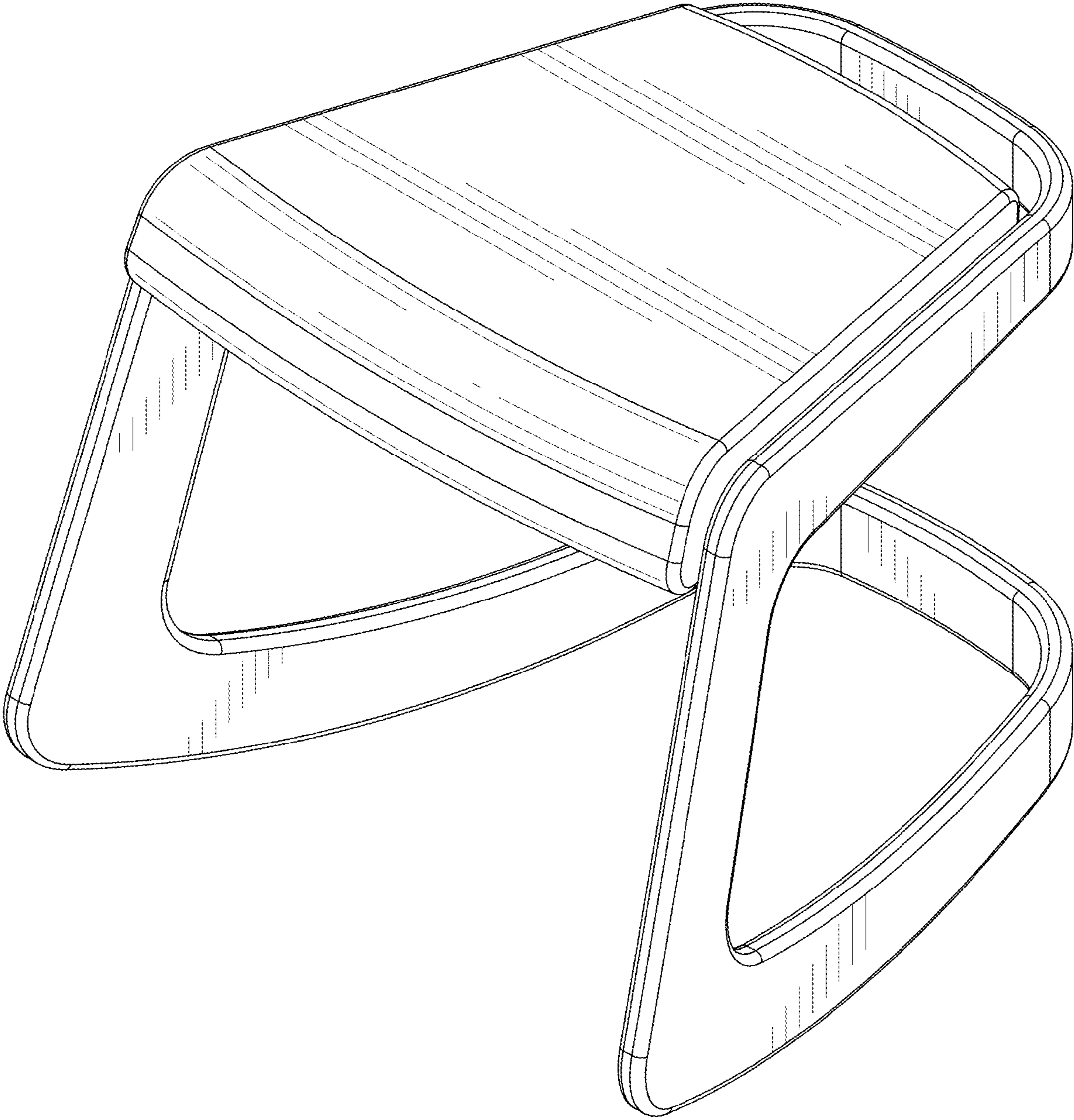


FIG.1

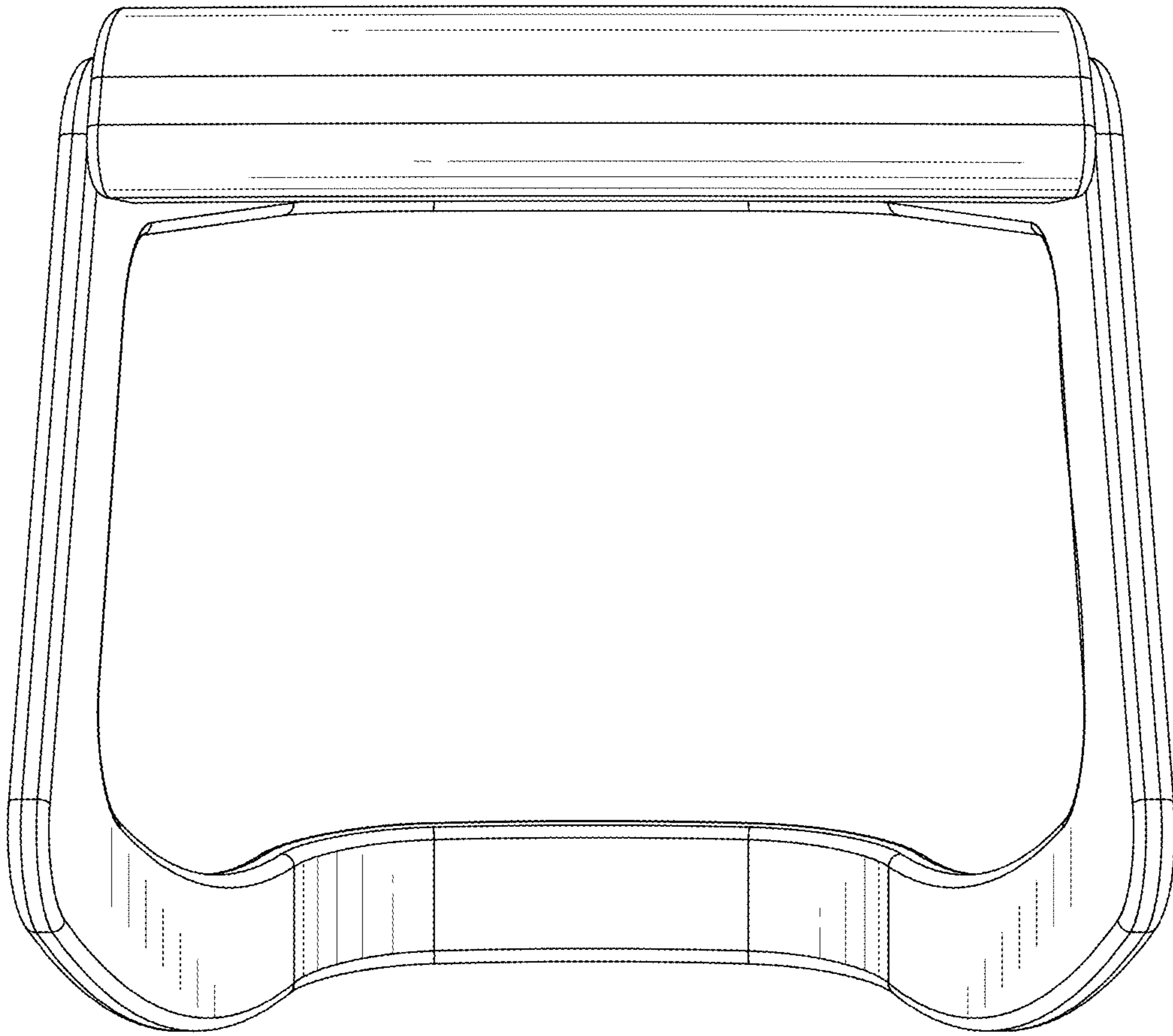


FIG.2

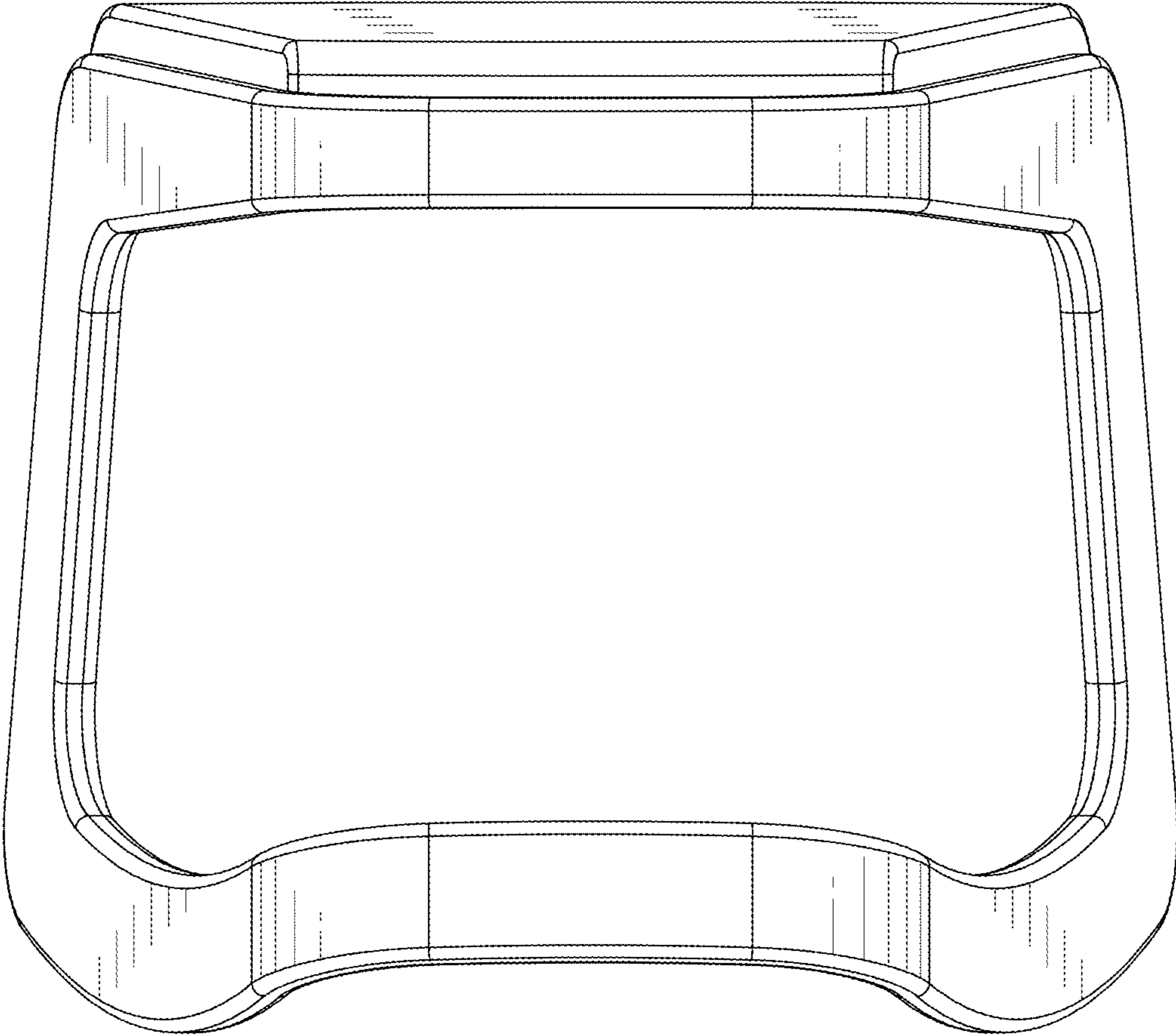


FIG.3

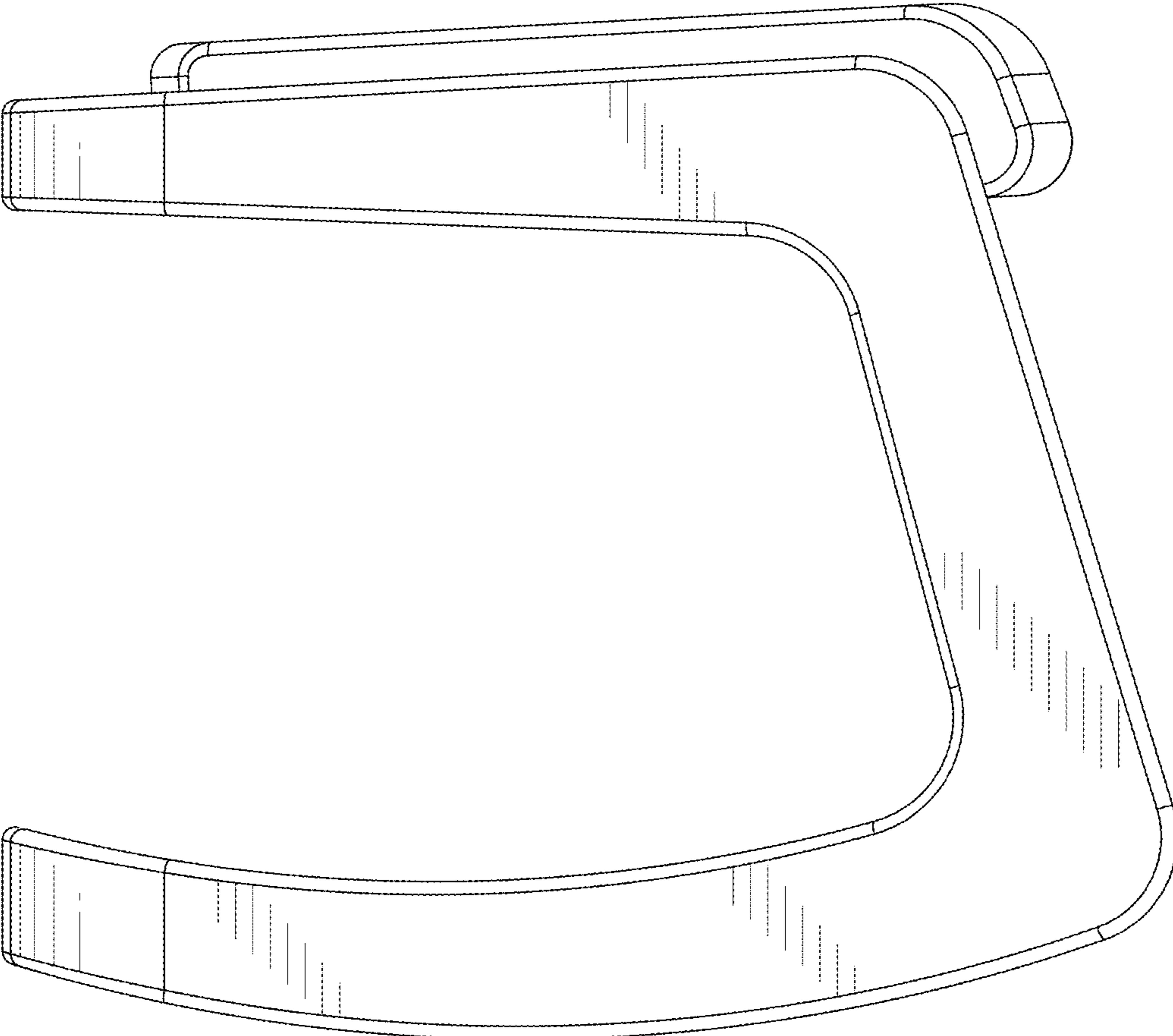


FIG.4

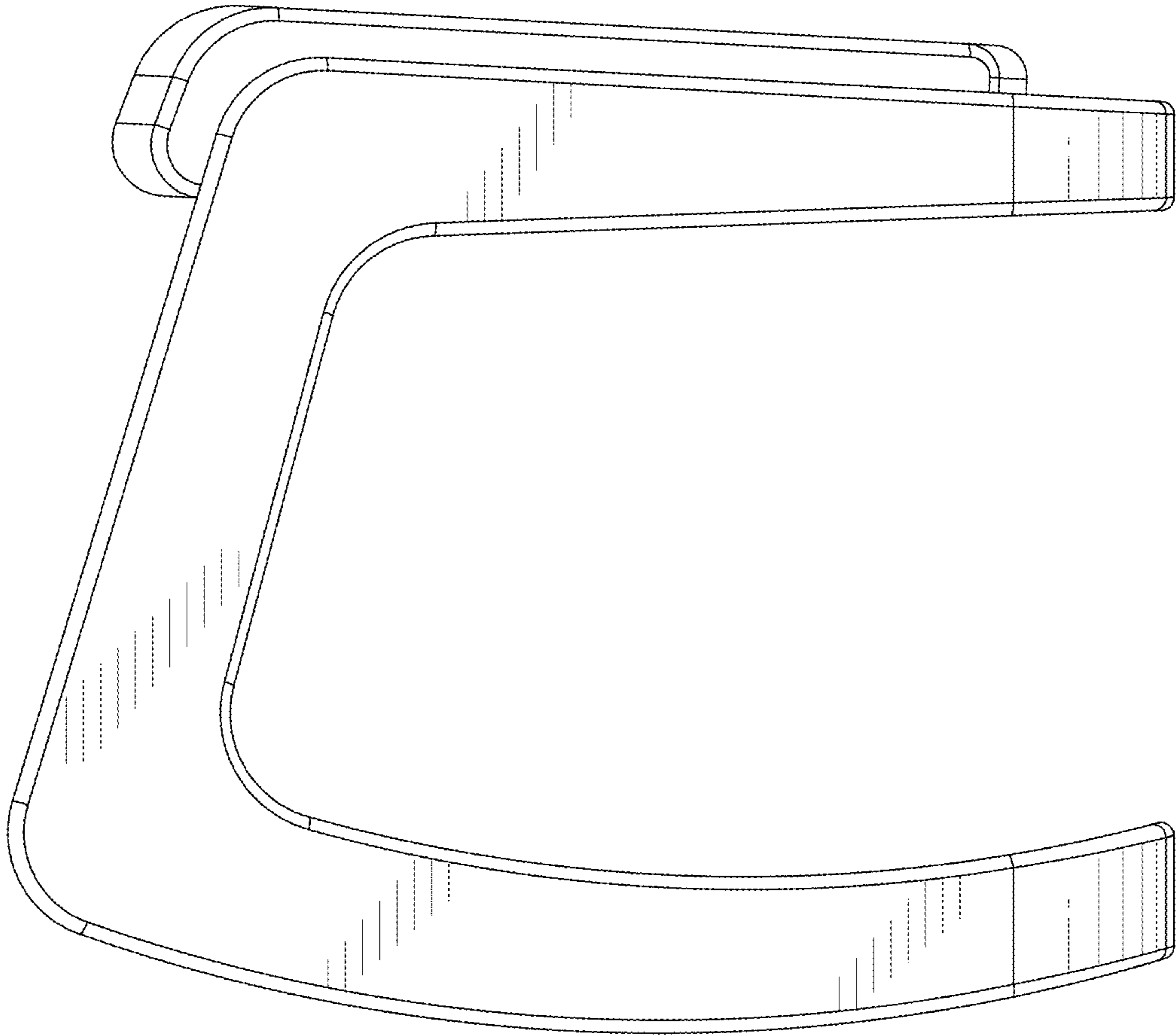


FIG.5

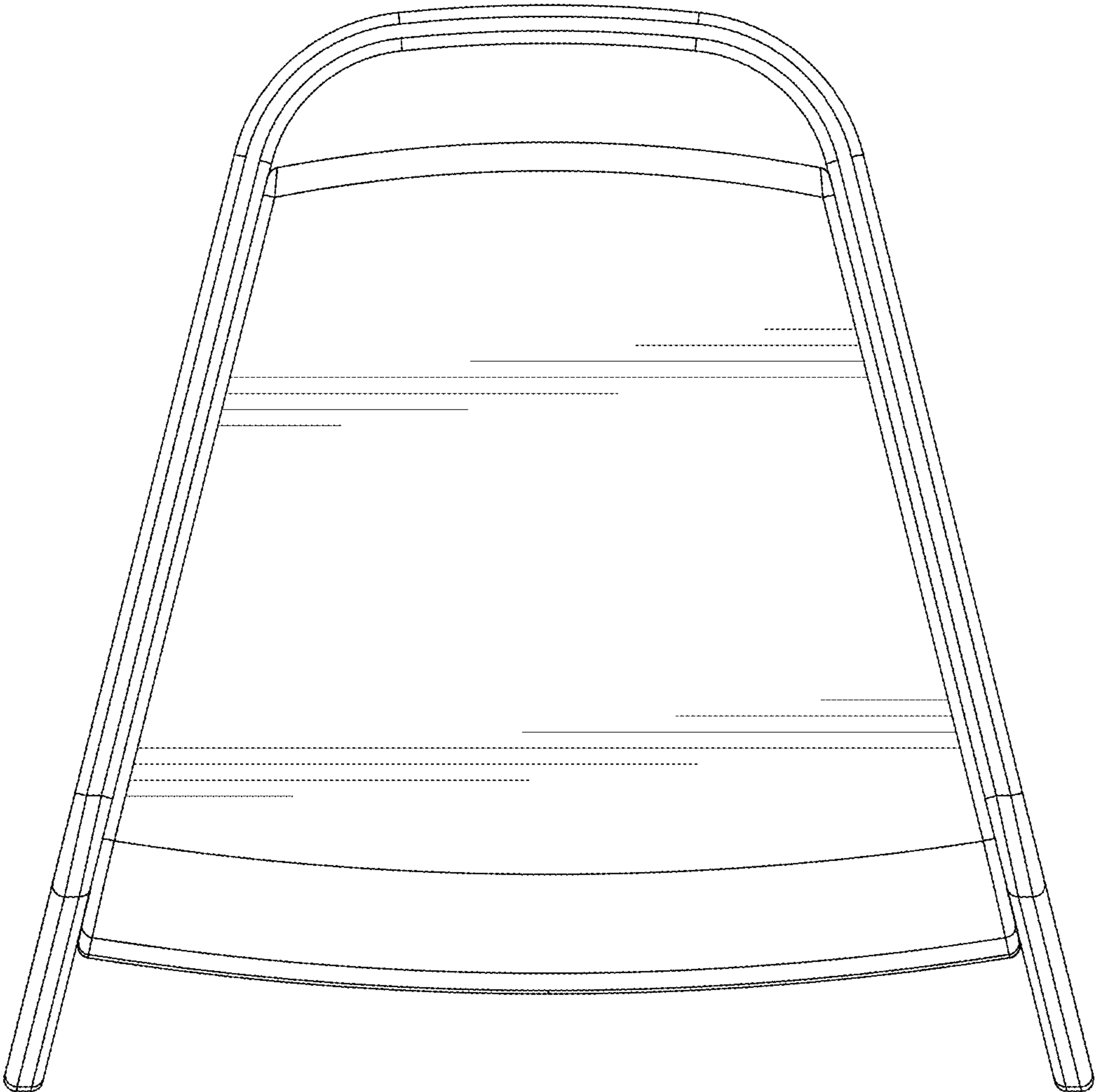


FIG.6

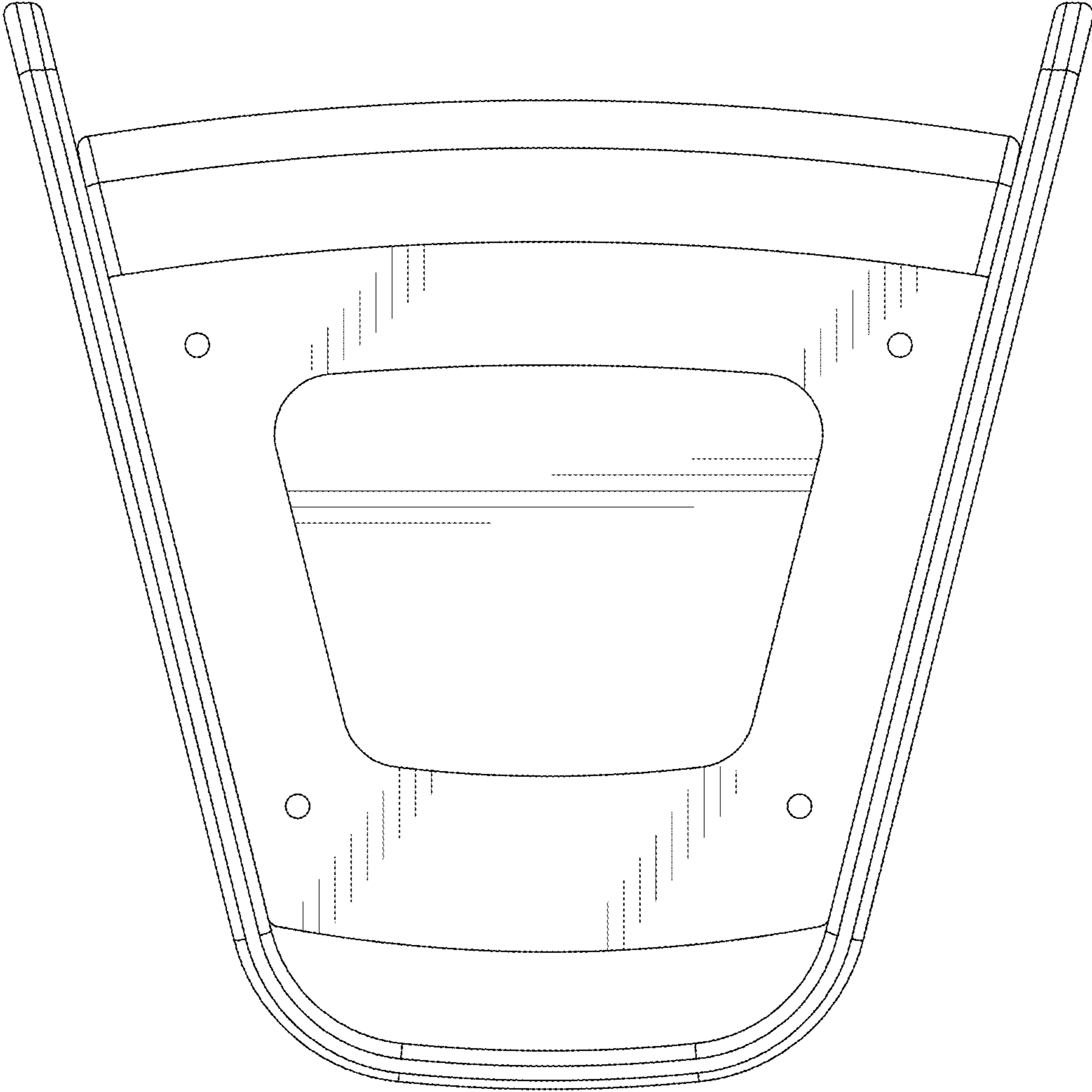


FIG.7

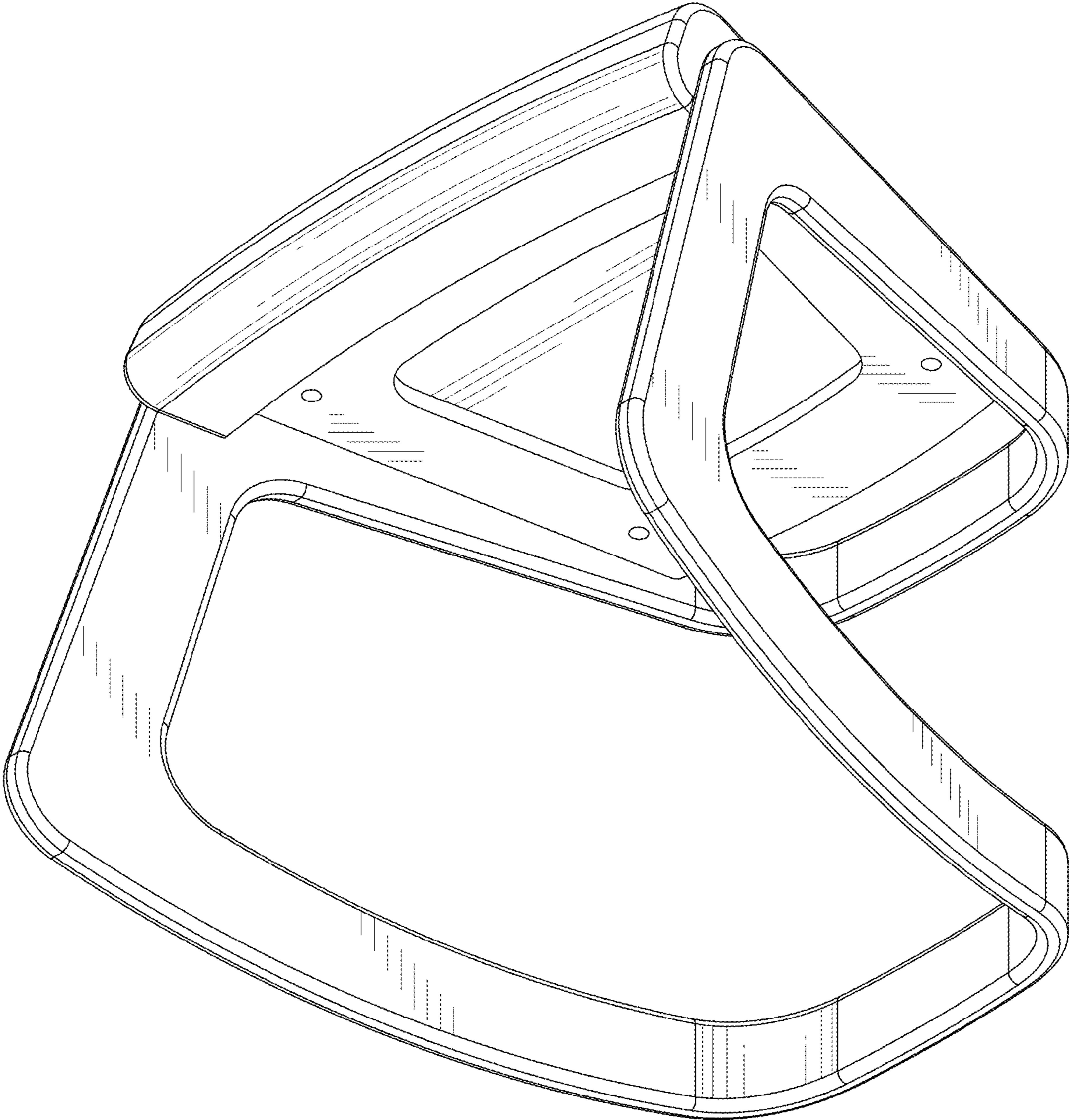


FIG.8

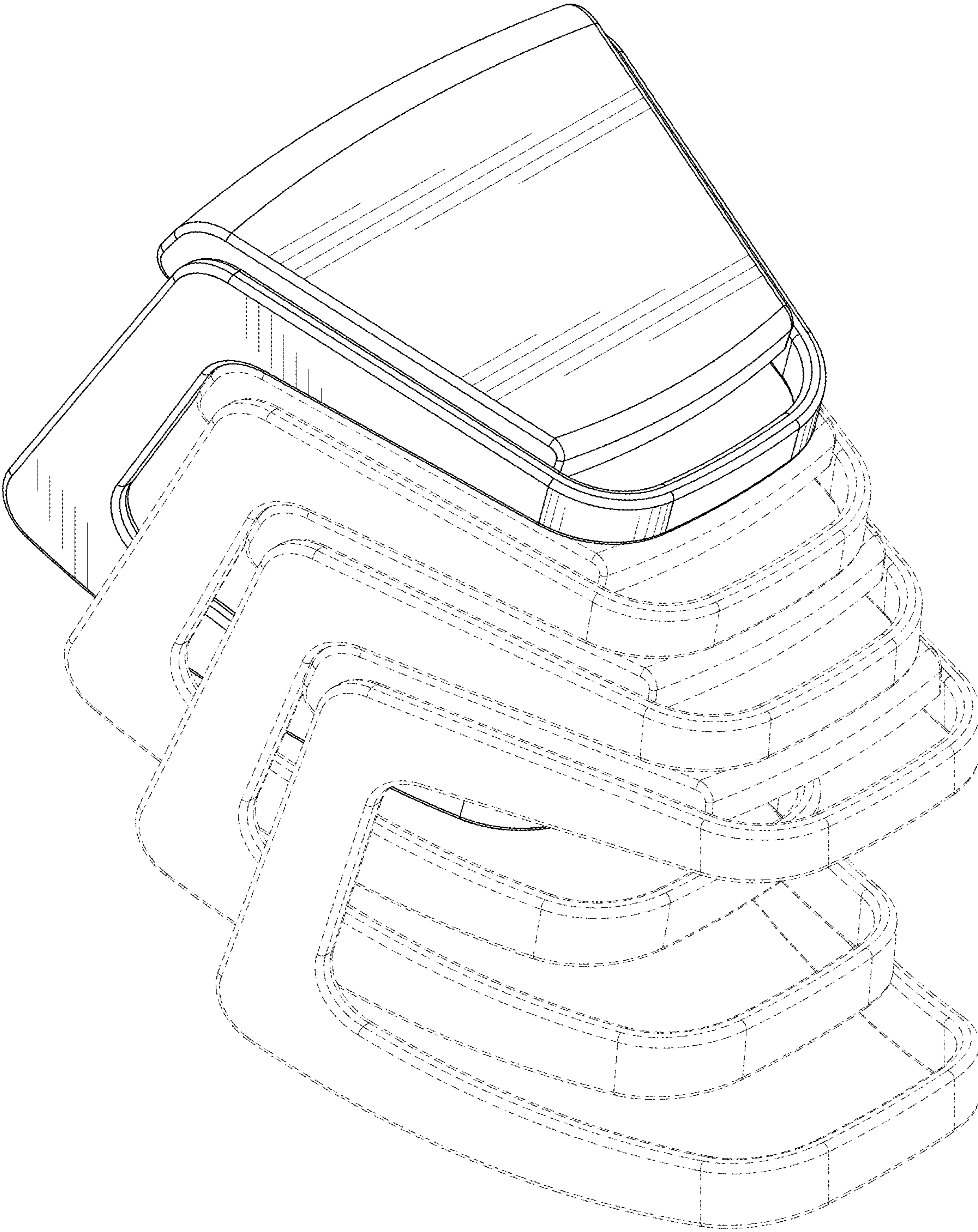


FIG.9

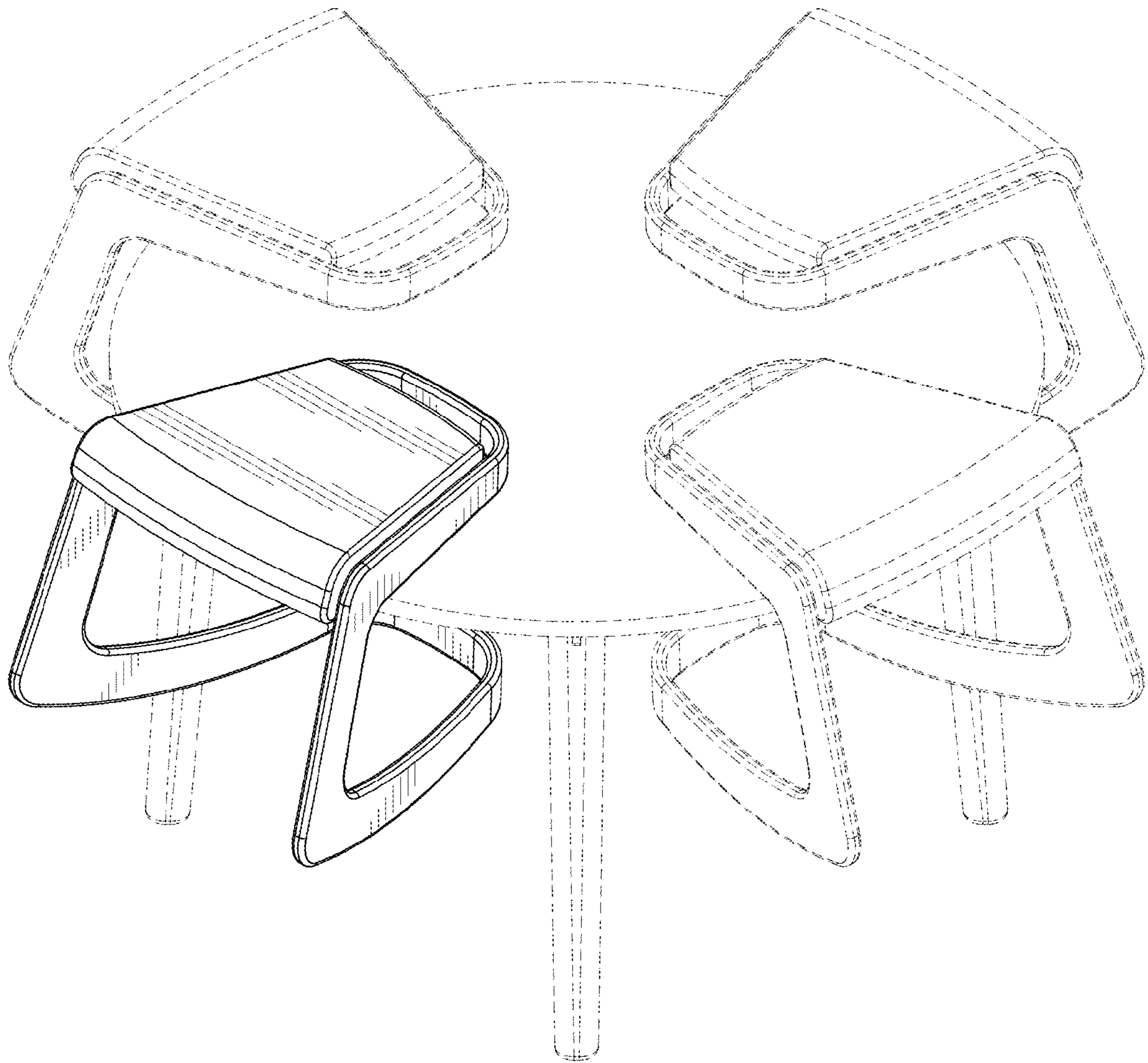


FIG.10