



US00D922782S

(12) **United States Design Patent** (10) **Patent No.:** **US D922,782 S**
Ruiter et al. (45) **Date of Patent:** **** Jun. 22, 2021**

(54) **RECLINING HIGH CHAIR**

(71) Applicant: **Thorley Industries, LLC**, Pittsburgh, PA (US)

(72) Inventors: **Joel Ruiter**, Ada, MI (US); **Phil Carpenter**, Zeeland, MI (US); **Jared Rosenthal**, Pittsburgh, PA (US)

(73) Assignee: **Thorley Industries, LLC**, Pittsburgh, PA (US)

(**) Term: **15 Years**

(21) Appl. No.: **29/706,277**

(22) Filed: **Sep. 19, 2019**

(51) **LOC (13) Cl.** **06-01**

(52) **U.S. Cl.**
USPC **D6/339**

(58) **Field of Classification Search**
USPC D6/333-336, 339, 344, 702, 716, D6/716.1-716.7; 297/183.1-183.4, 297/184.13, 184.15, 184.17, 250.1, 255, 297/256.1, 256.15, 219.12, 463.1; D12/129-130, 133; D21/412, 428, 419; 280/30-31; 5/94, 98.1, 99.1, 101-102, 5/105, 655, 93.1, 12.1; 24/200
CPC A47D 13/02; A47D 13/10; A47D 13/083; A47D 1/00; A47D 1/002; A47D 1/004; A47D 1/008; A47D 1/04; B60N 2/22; B60N 2/24; B60N 2/2821; B60N 2/02; B60N 2/10; B60N 2/16; B60N 2002/0212; B60N 2002/0216; B60N 2002/022; A47C 3/00; A47C 3/02; A47C 3/025; A47C 3/20

See application file for complete search history.

(56) **References Cited**

U.S. PATENT DOCUMENTS

D432,798 S	*	10/2000	Boney	D6/339
D730,070 S		5/2015	Daley et al.		
D764,819 S	*	8/2016	Daley	D6/339
D769,630 S	*	10/2016	Daley	D6/339
D807,656 S	*	1/2018	Cheng	D6/339
D867,773 S	*	11/2019	Wang	D6/339

* cited by examiner

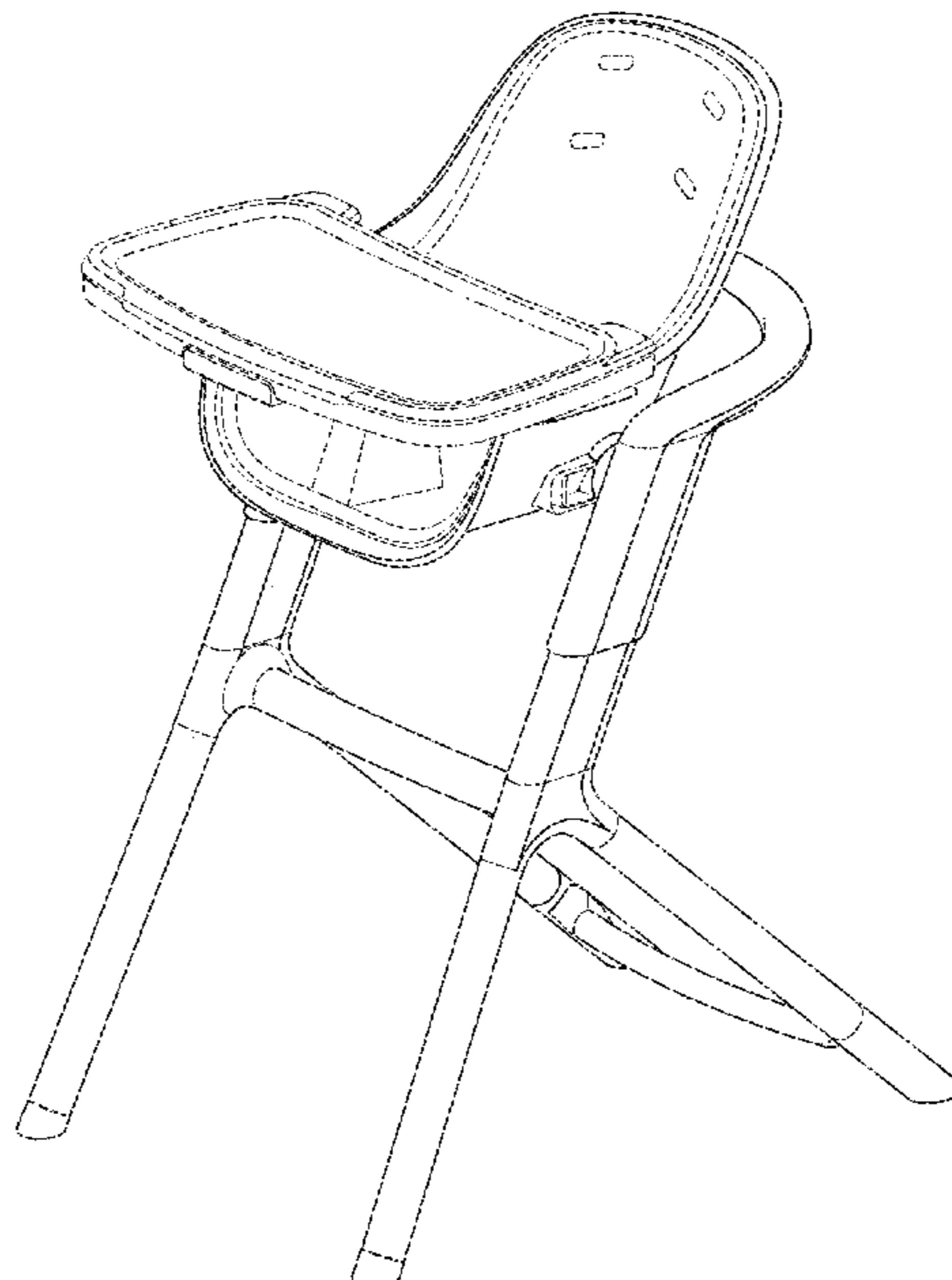
Primary Examiner — Abraham Bahta
 (74) *Attorney, Agent, or Firm* — Perman & Green, LLP

(57) **CLAIM**
 The ornamental design for a reclining high chair, as shown and described.

DESCRIPTION

FIG. 1 is a perspective view of a reclining high chair in accordance with one form of the present invention;
 FIG. 2 is a top elevation view of the reclining high chair of FIG. 1;
 FIG. 3 is a front perspective view of the reclining high chair of FIG. 1;
 FIG. 4 is a right side perspective view of the reclining high chair of FIG. 1;
 FIG. 5 is a left side perspective view of a reclining high chair of FIG. 1;
 FIG. 6 is a rear perspective view of a reclining high chair of FIG. 1;
 FIG. 7 is a bottom view of the reclining high chair of FIG. 1; and,
 FIG. 8 is a perspective view of the reclining high chair of FIG. 1 with the reclining high chair in a reclined position. The portions of FIG. 1 to FIG. 8 that are shown in broken lines are unclaimed environmental subject matter only and form no part of the claimed design.

1 Claim, 8 Drawing Sheets



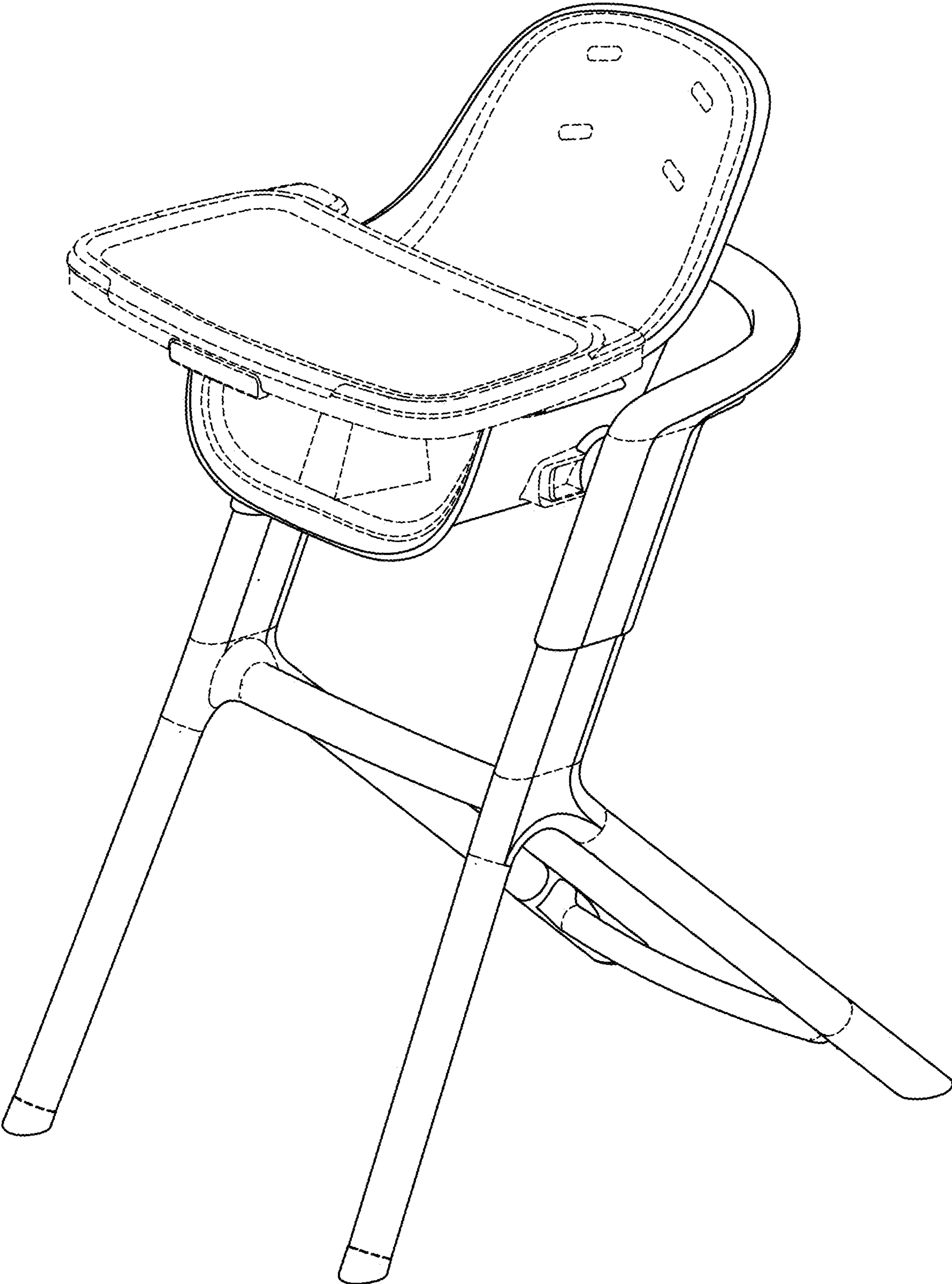


FIG.1

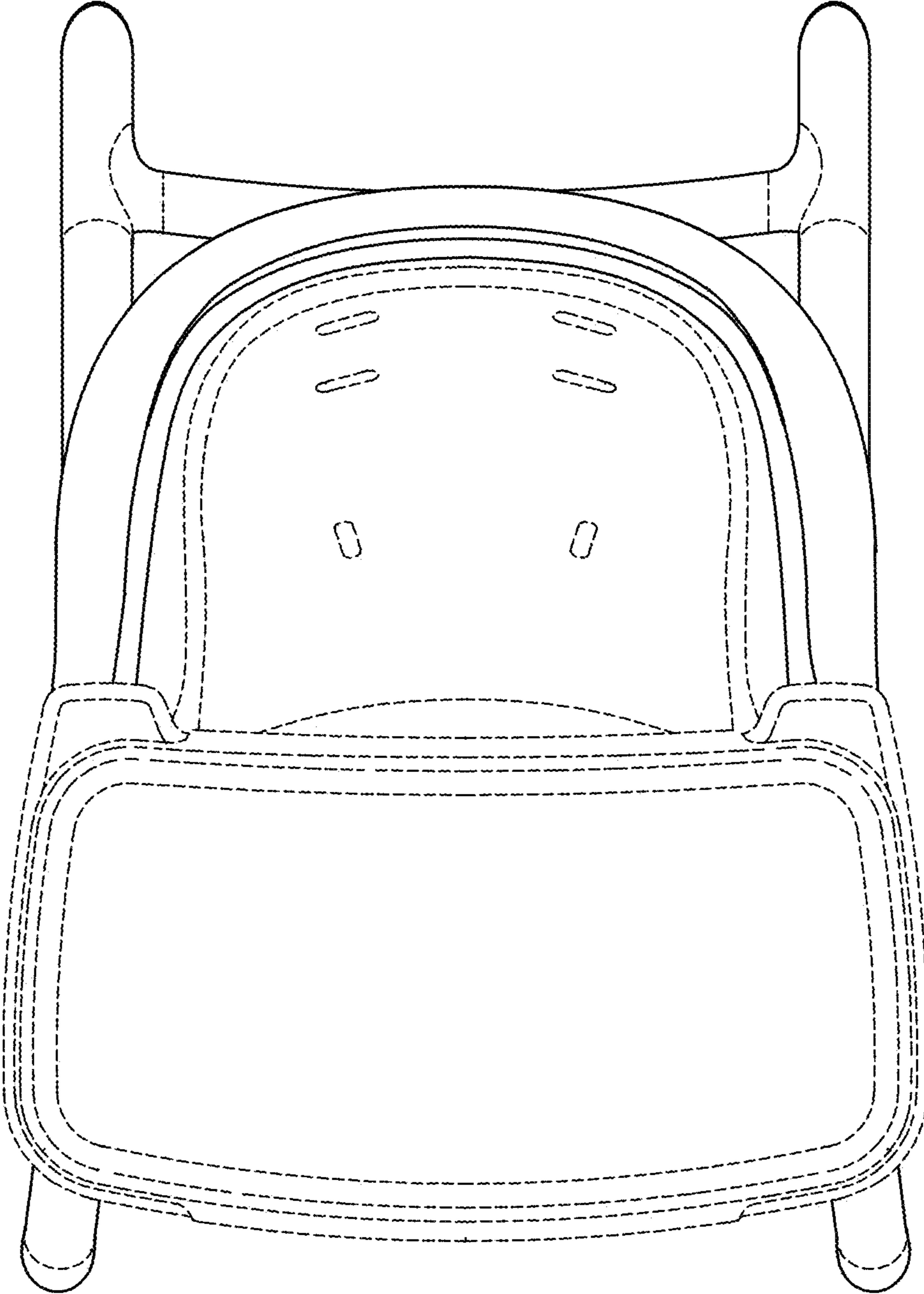


FIG.2

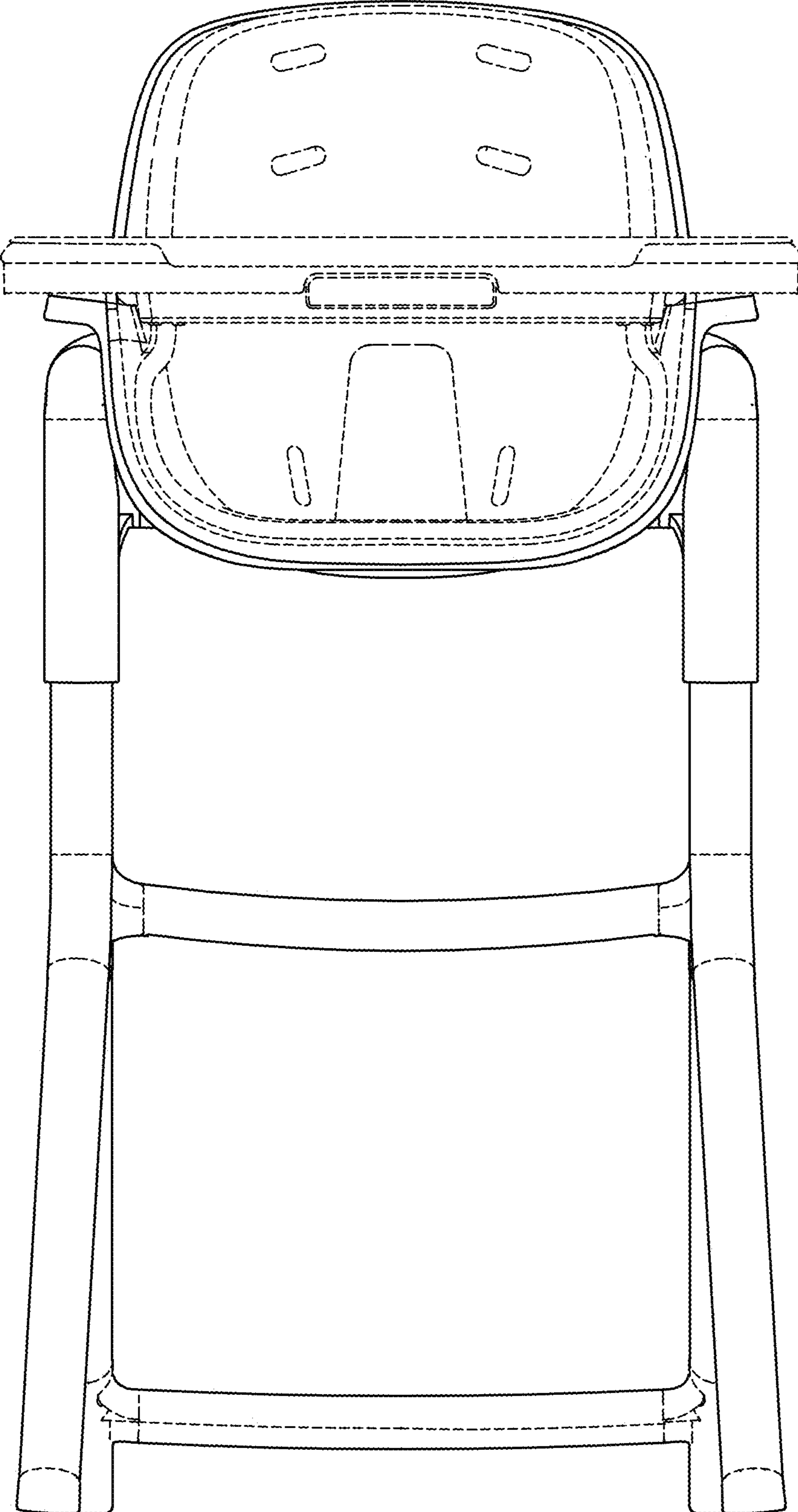
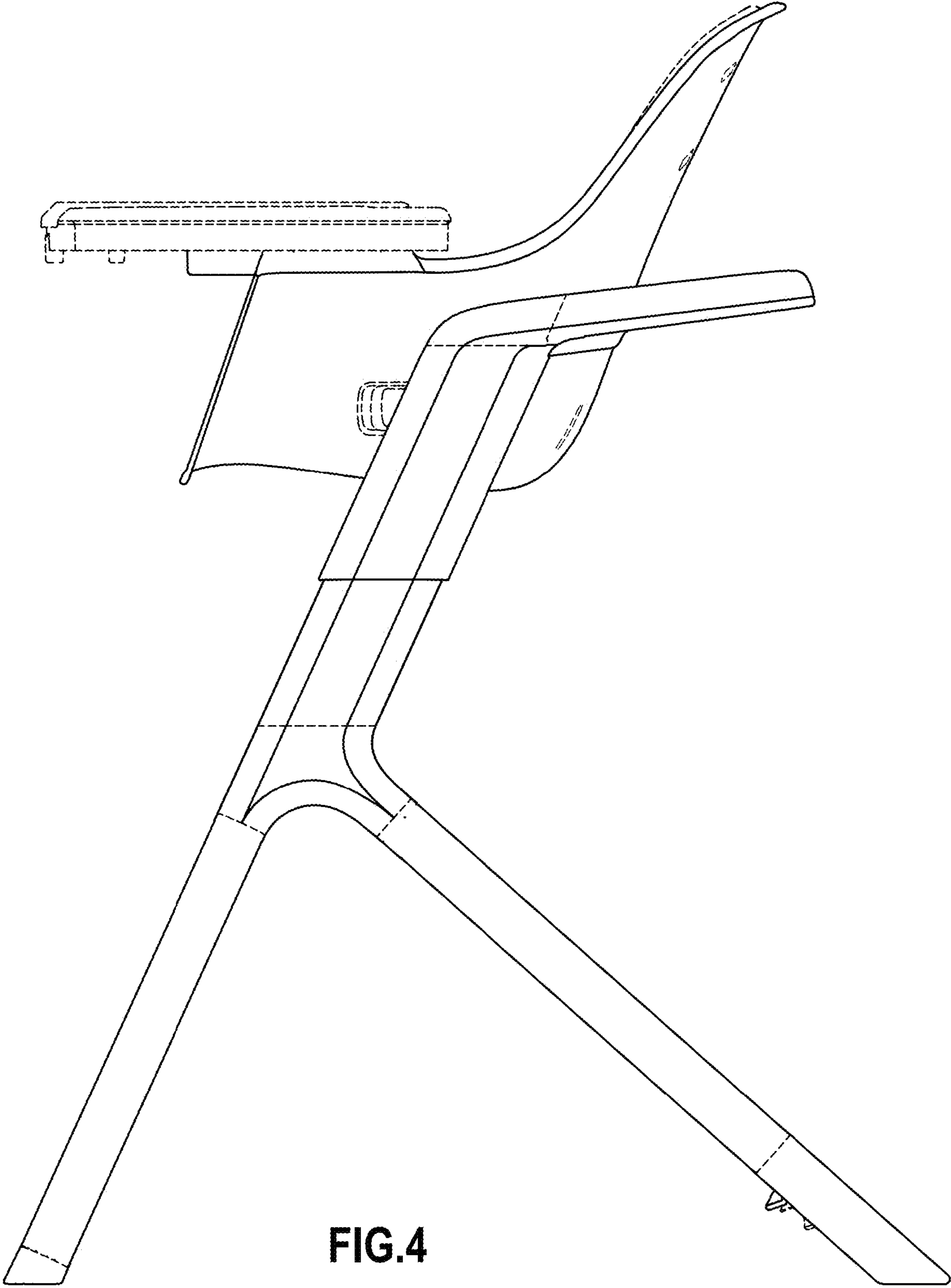


FIG.3



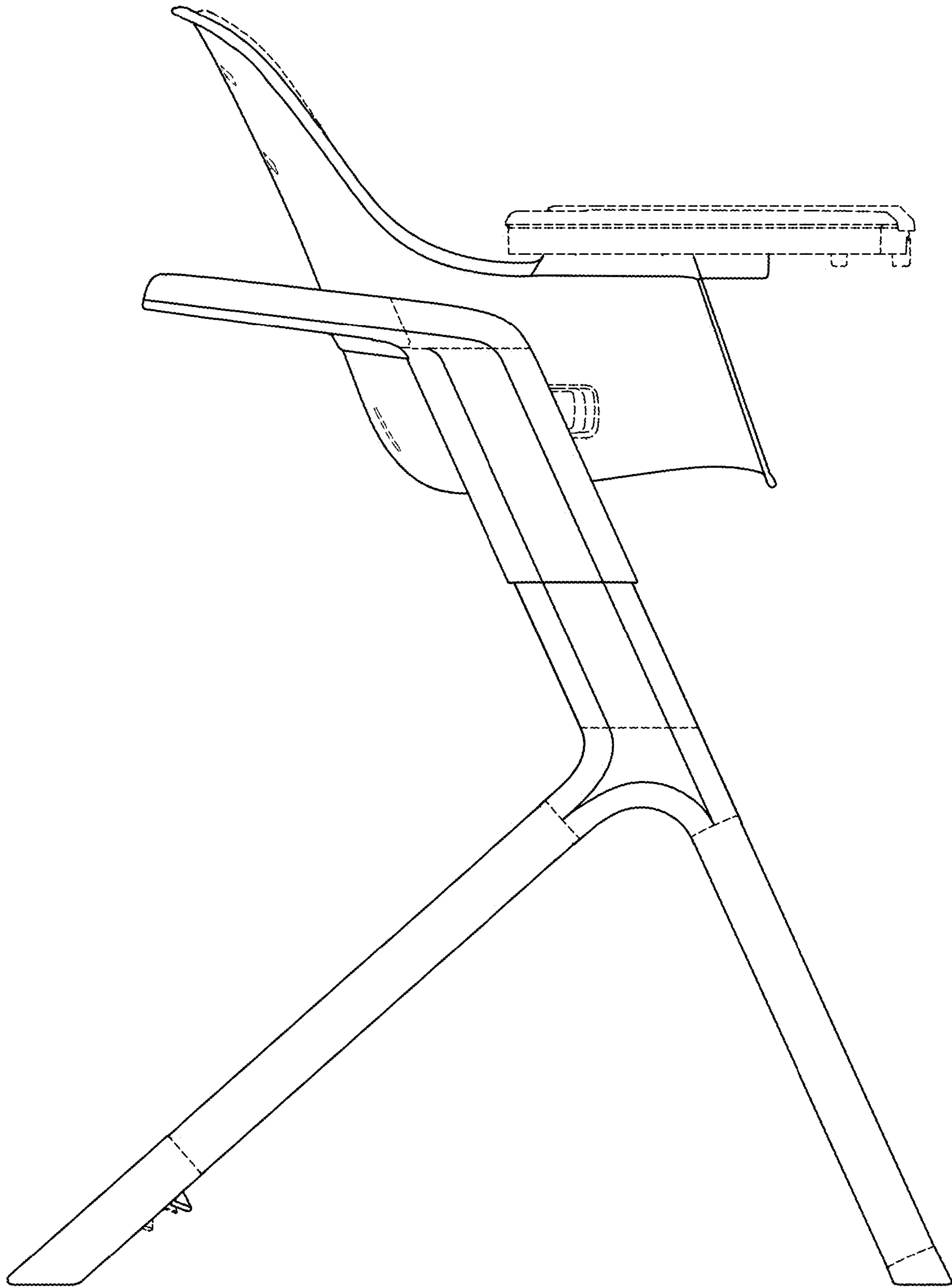


FIG. 5

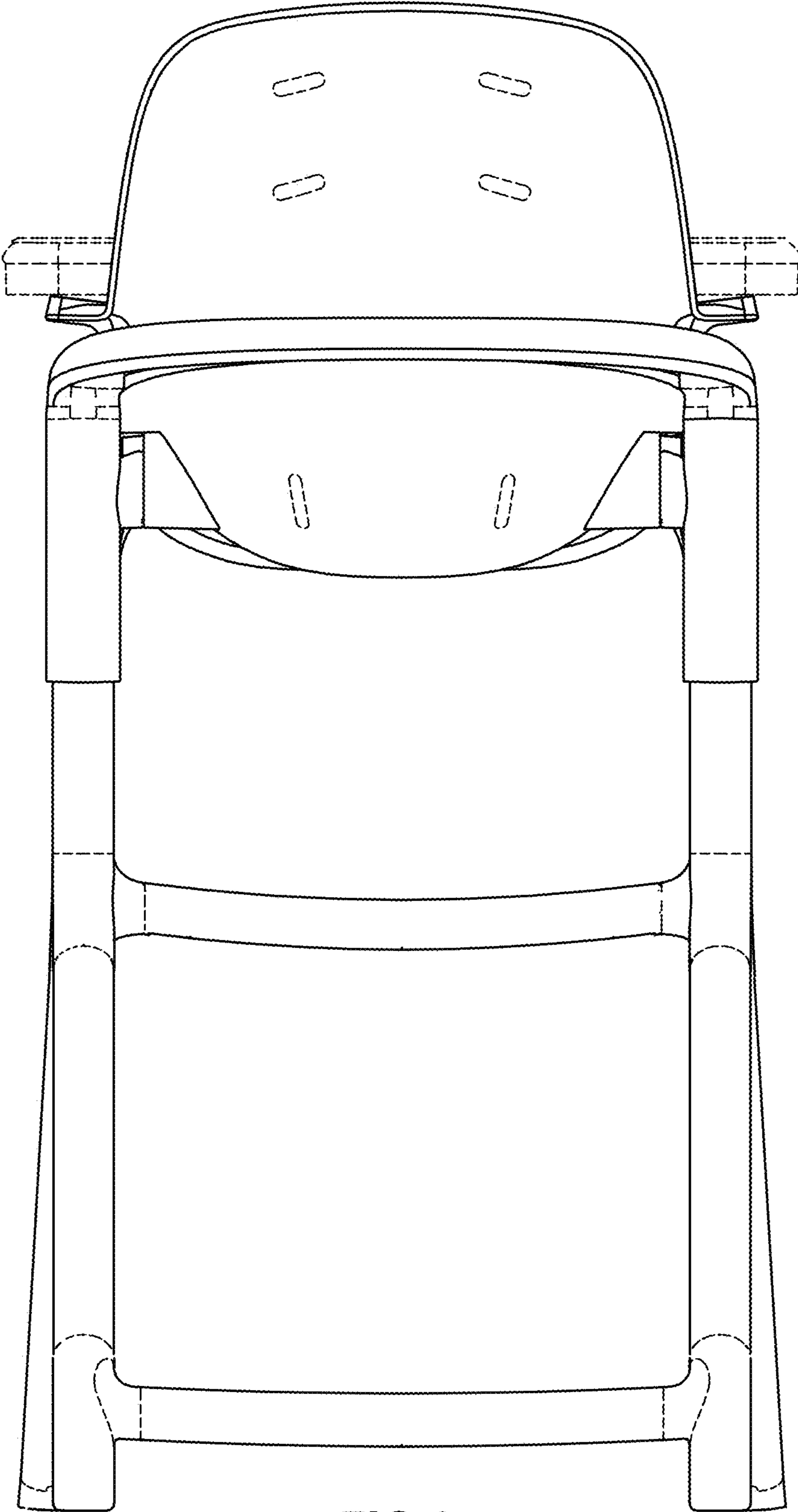


FIG.6

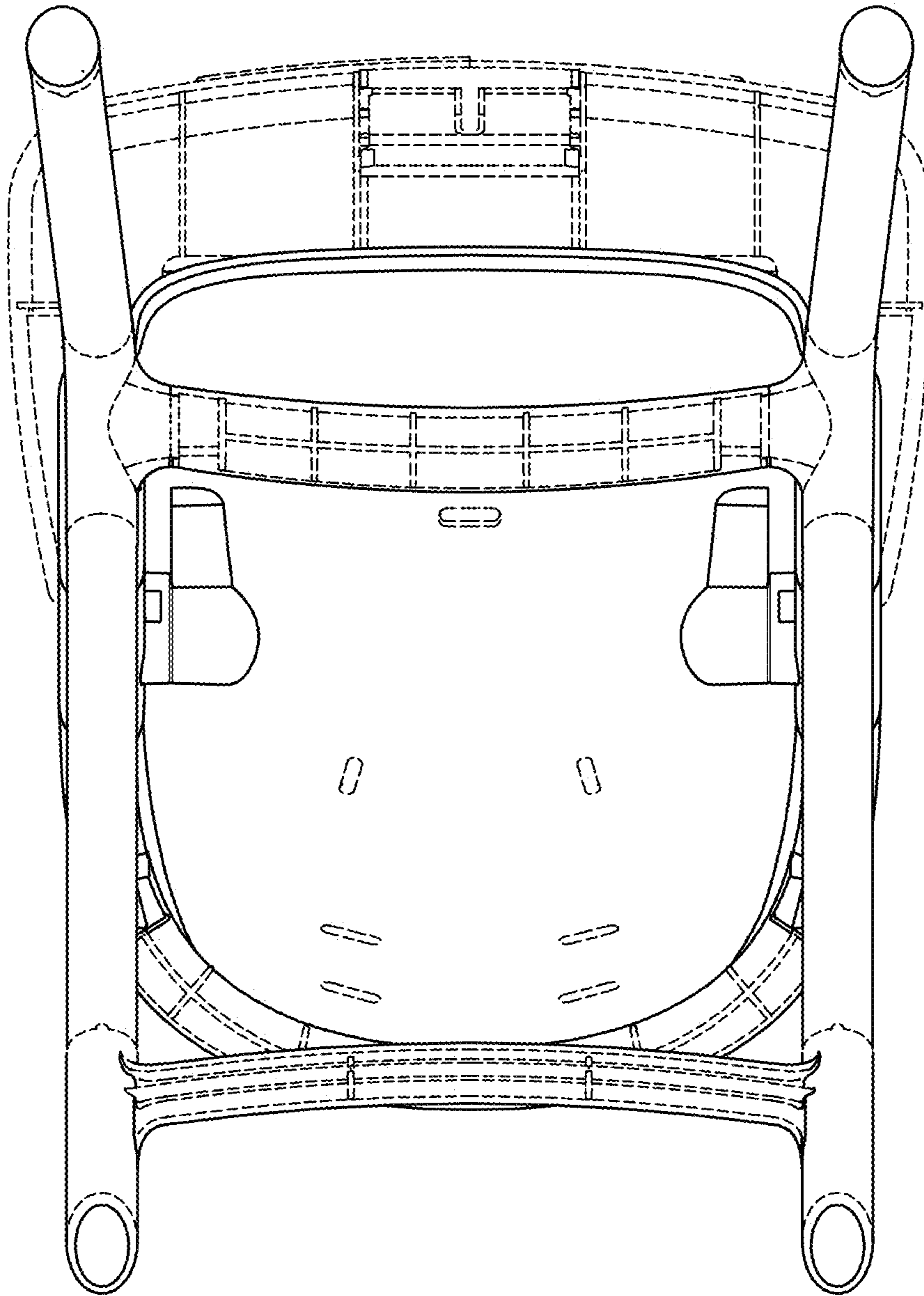


FIG.7

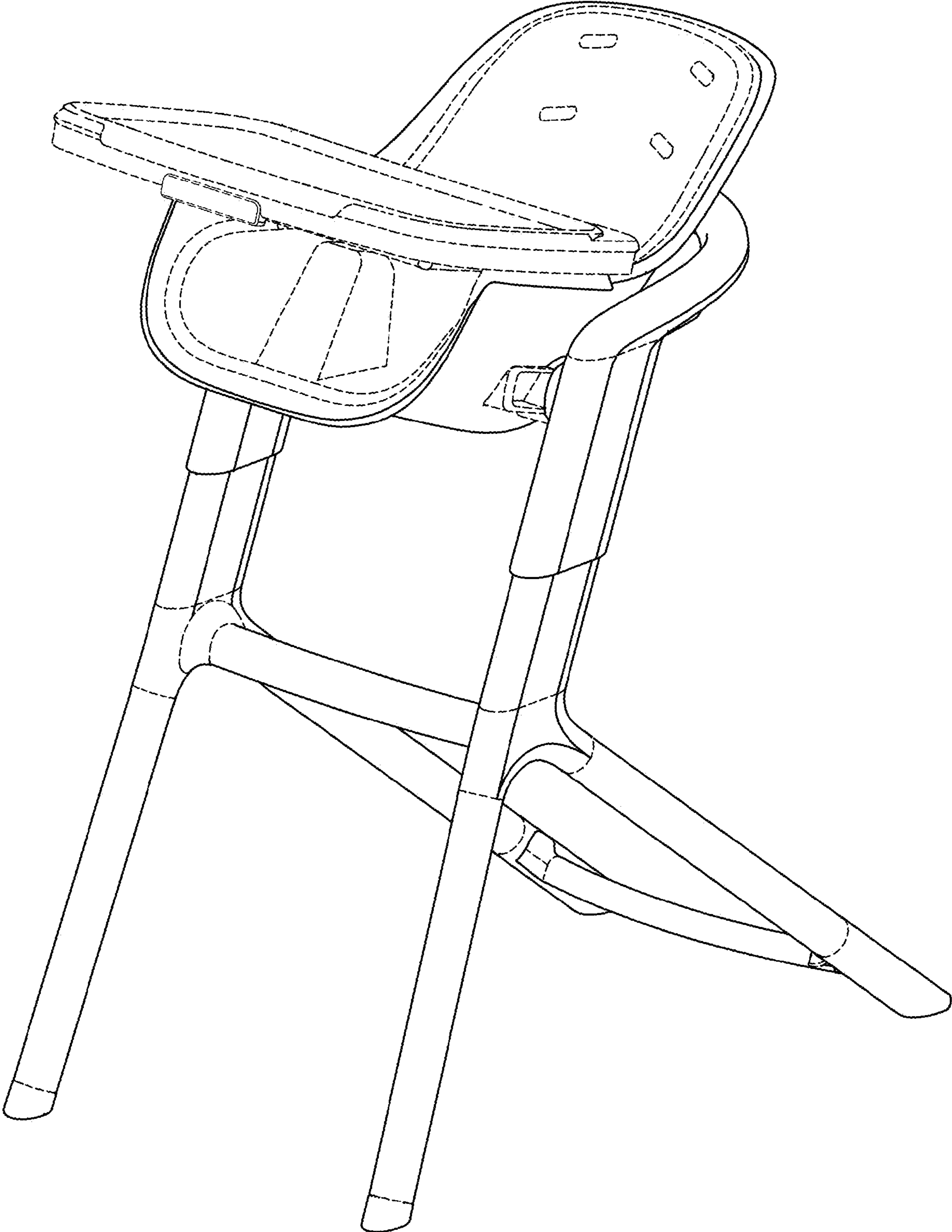


FIG. 8