



US00D922778S

(12) **United States Design Patent**
Liang

(10) **Patent No.:** **US D922,778 S**

(45) **Date of Patent:** **** Jun. 22, 2021**

(54) **MAKEUP MIRROR**

D730,065 S 5/2015 Tsai
D861,356 S 10/2019 Zhu
D905,442 S * 12/2020 Yang D6/310

(71) Applicant: **Shenzhen Youyuan Times Supply Chain Management Co. LTD,**
Shenzhen (CN)

FOREIGN PATENT DOCUMENTS

(72) Inventor: **Yongli Liang,** Guigang (CN)

CN 306474316 * 4/2021

(**) Term: **15 Years**

* cited by examiner

(21) Appl. No.: **29/761,887**

Primary Examiner — Deanna L Pratt

(22) Filed: **Dec. 12, 2020**

(74) *Attorney, Agent, or Firm* — Zhihua Han; WEN IP LLC

(51) **LOC (13) Cl.** **06-07**

(57) **CLAIM**

(52) **U.S. Cl.**
USPC **D6/301; D6/309**

The ornamental design for a makeup mirror, as shown and described.

(58) **Field of Classification Search**
USPC **D6/300–314**
CPC **A45D 42/10; A47G 1/04**
See application file for complete search history.

DESCRIPTION

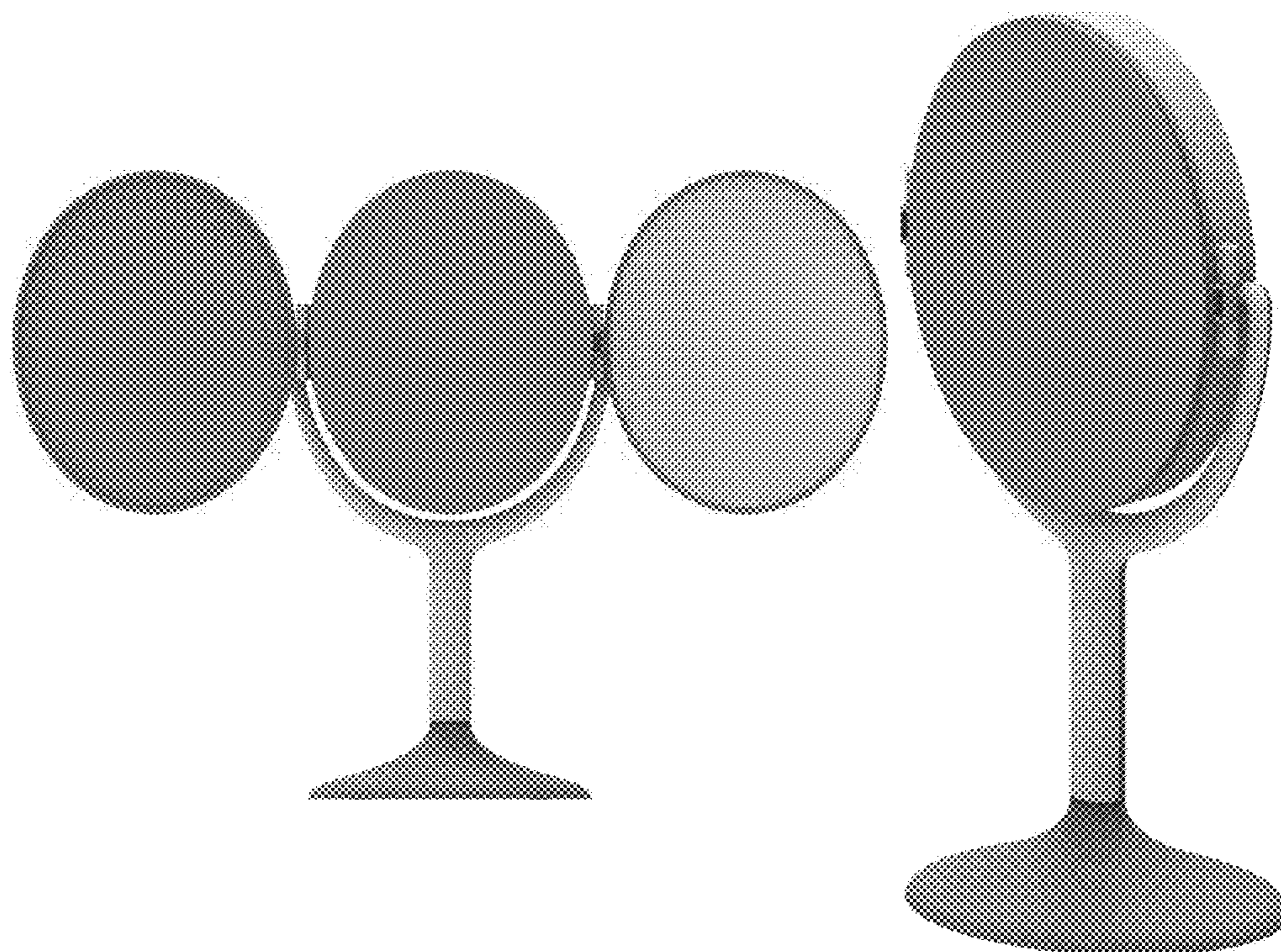
(56) **References Cited**

U.S. PATENT DOCUMENTS

- 2,163,001 A * 6/1939 Komorous A45D 42/08 359/882
- D138,505 S * 8/1944 Cirkinian D6/301
- D139,309 S * 10/1944 Eubank D6/302
- D152,347 S * 1/1949 Marty D6/301
- D182,188 S * 2/1958 Kyle, Sr. D6/301
- 3,673,723 A * 7/1972 Lazar A47G 1/065 40/729
- D233,874 S * 12/1974 Ashley D6/301
- D370,129 S * 5/1996 Freudenfeld D6/301
- D509,369 S 9/2005 Snell
- D590,604 S * 4/2009 Pozin D6/302

FIG. 1 is a perspective photographic view of a makeup mirror, viewed from front, top, and right direction, showing my new design;
 FIG. 2 is another perspective photographic view thereof, viewed from rear, bottom, and left direction;
 FIG. 3 is a front elevation photographic view of thereof;
 FIG. 4 is a rear elevation photographic view of thereof;
 FIG. 5 is a left side elevation photographic view of thereof;
 FIG. 6 is a right side elevation photographic view of thereof;
 FIG. 7 is a top plan photographic view of thereof;
 FIG. 8 is a bottom plan photographic view of thereof;
 FIG. 9 is another perspective photographic view thereof, but shown in an alternative configuration for clarity of illustration; and,
 FIG. 10 is a front elevation photographic view of FIG. 9.

1 Claim, 10 Drawing Sheets



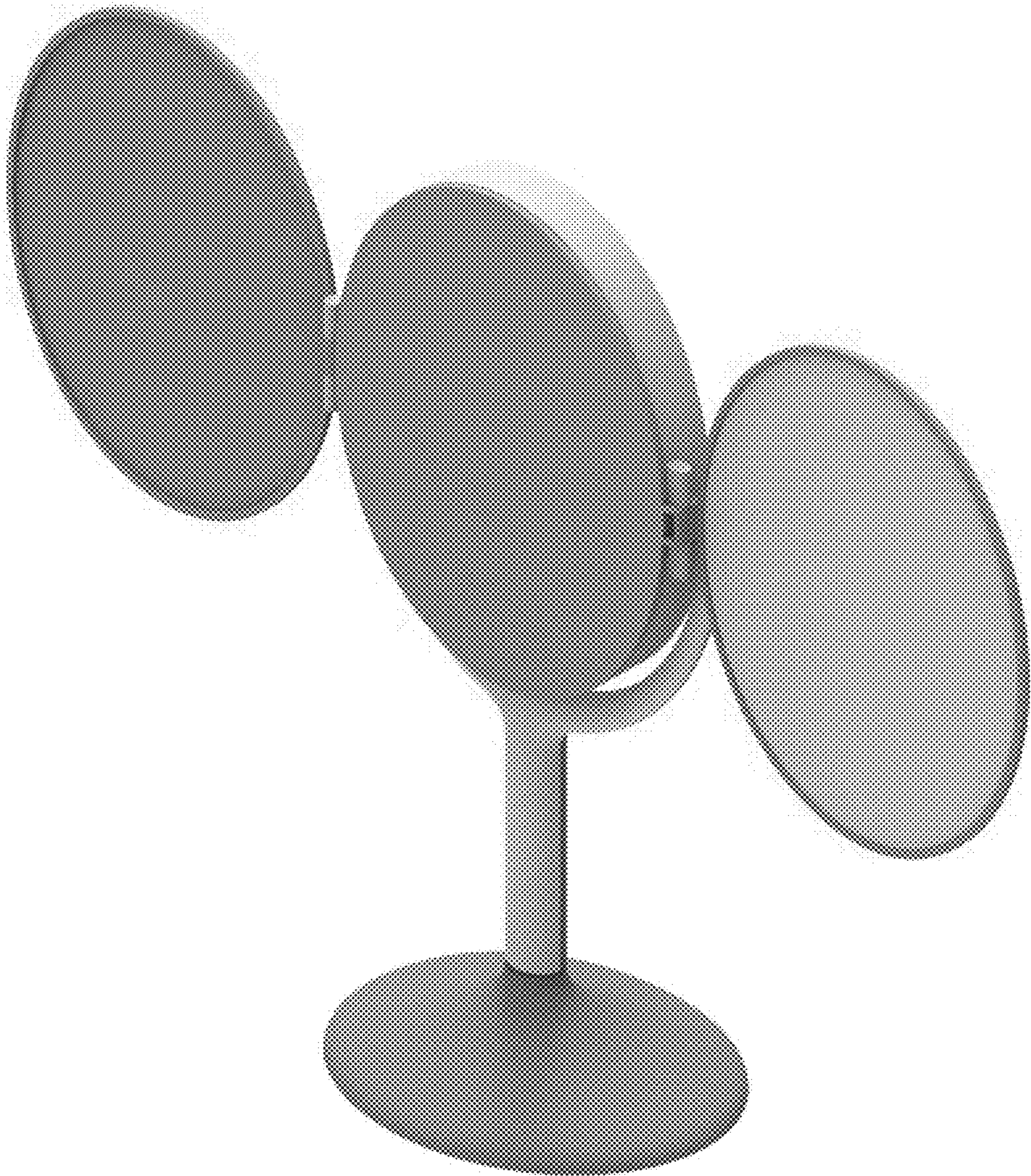


FIG. 1



FIG. 2

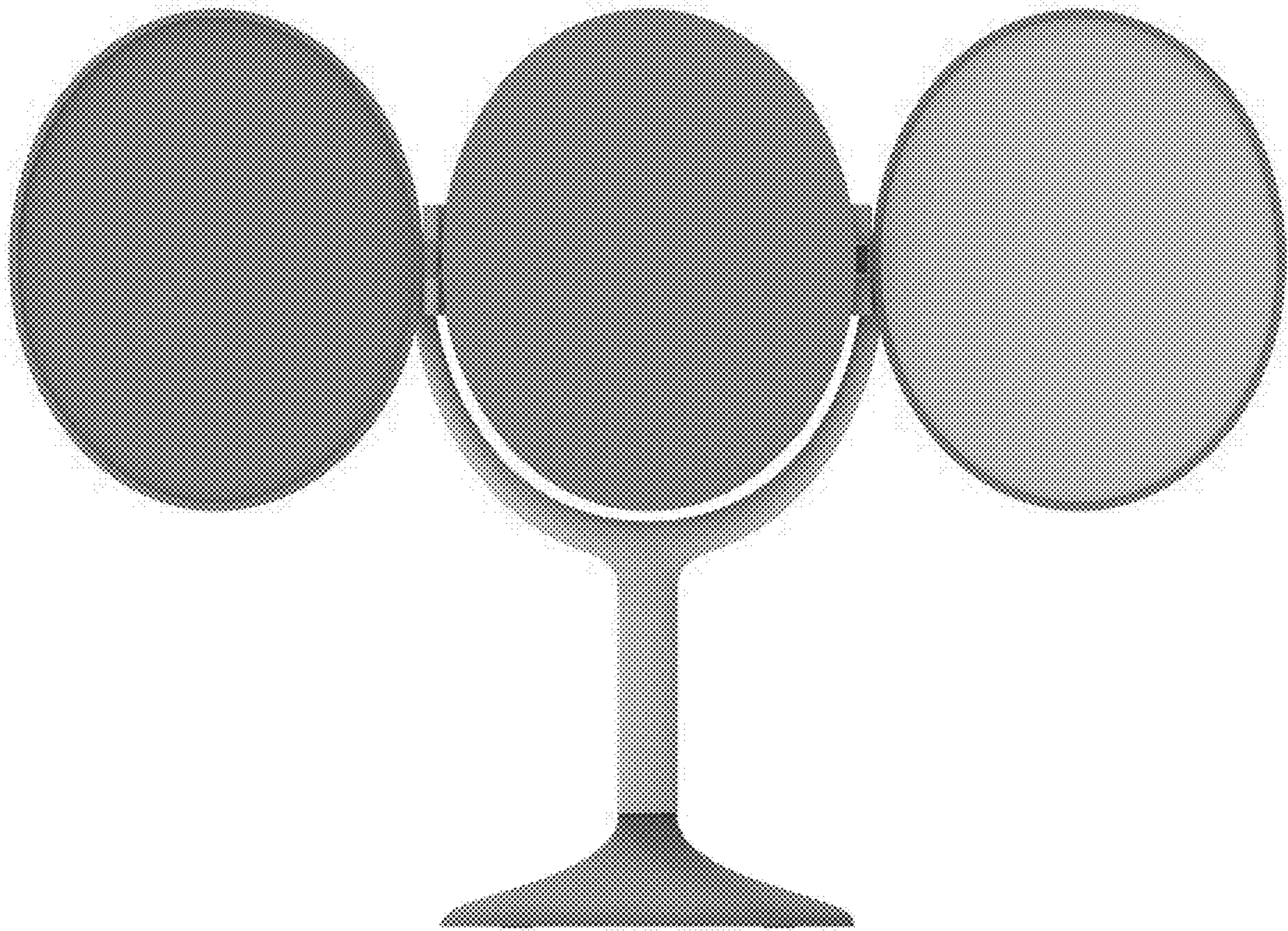


FIG.3

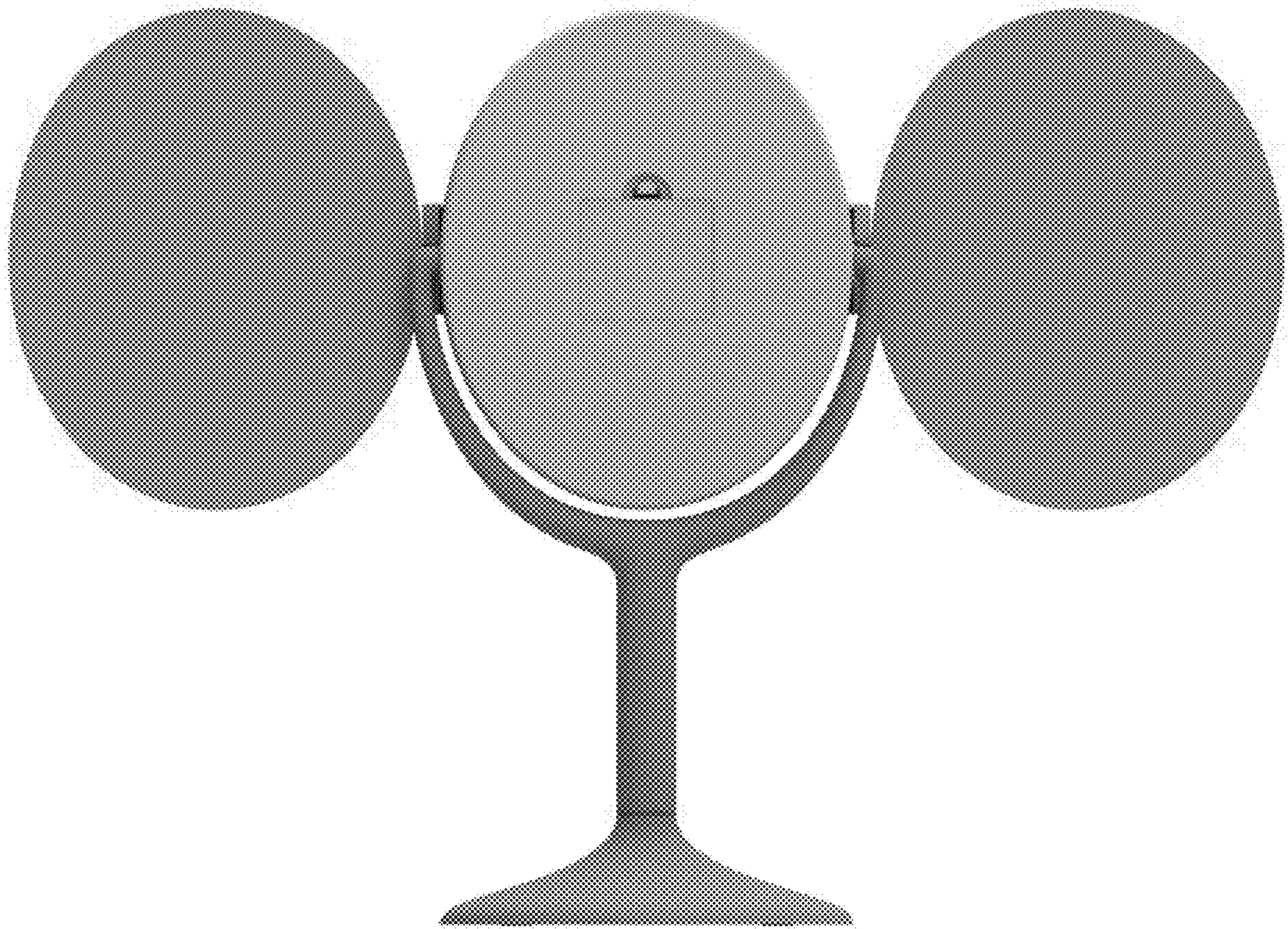


FIG.4

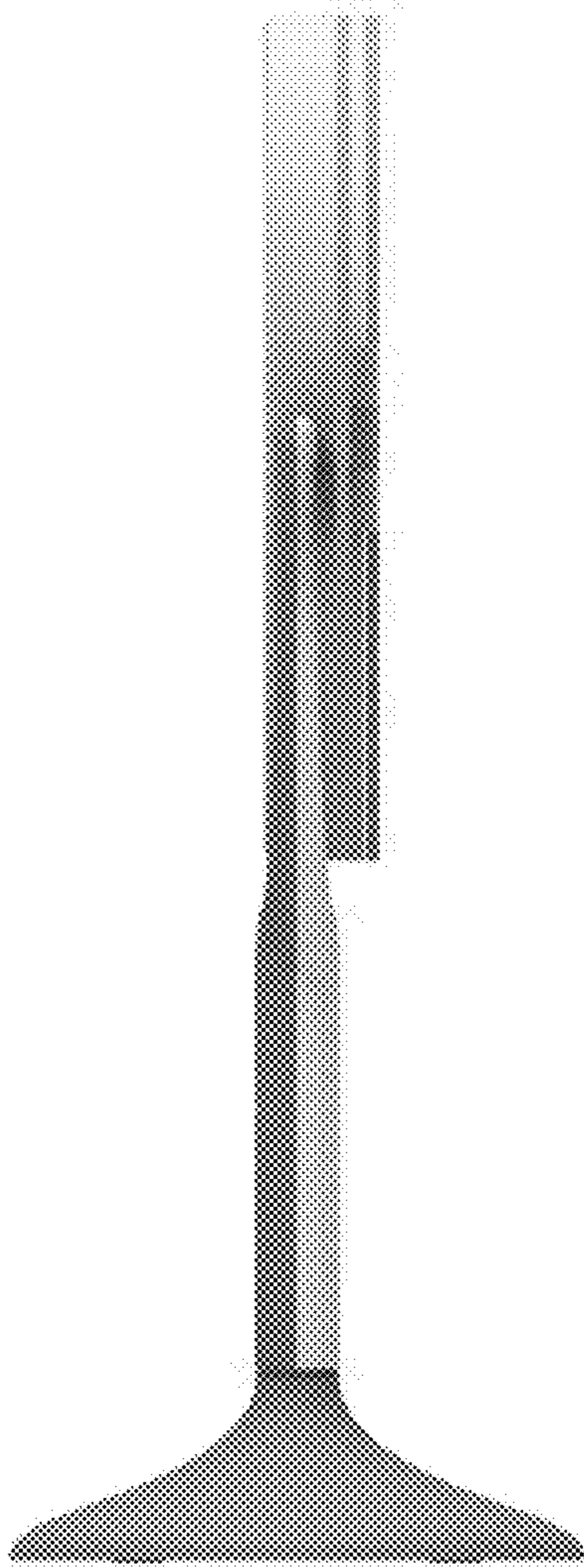


FIG. 5

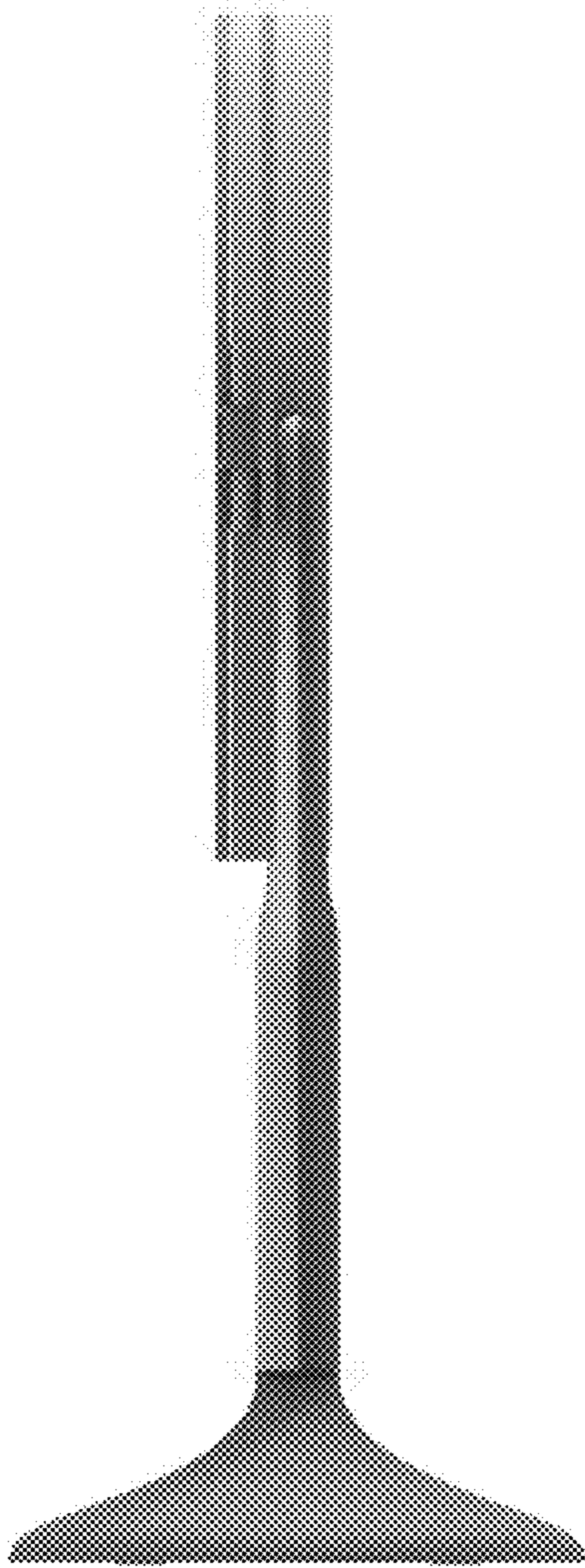


FIG.6

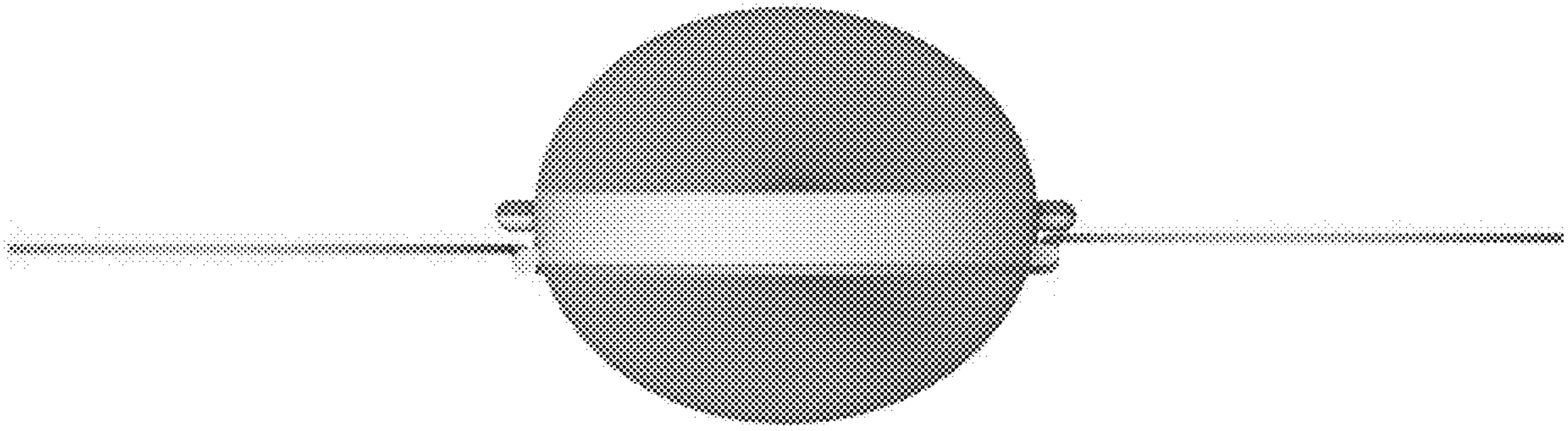


FIG. 7

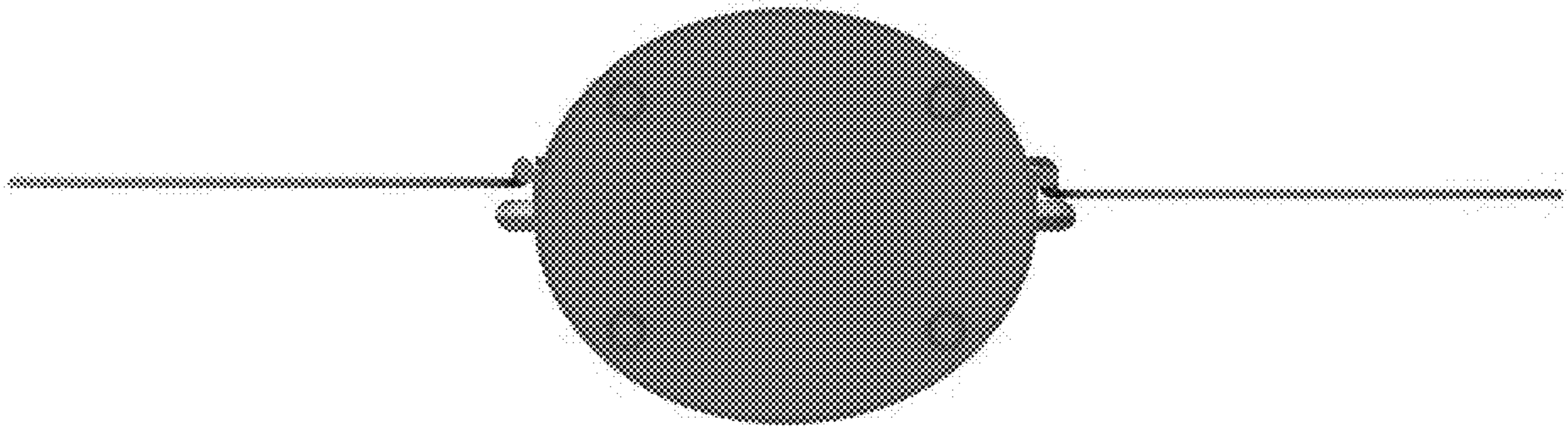


FIG.8



FIG. 9



FIG. 10