



US00D922776S

(12) **United States Design Patent**
Soutelo Gomes

(10) **Patent No.:** **US D922,776 S**
(45) **Date of Patent:** **** Jun. 22, 2021**

(54) **DUAL-ENDED COSMETIC AND PERSONAL CARE BRUSH WITH CAP**

(71) Applicant: **COSMOGEN SAS**, Paris (FR)

(72) Inventor: **Julie Soutelo Gomes**, Paris (FR)

(73) Assignee: **COSMOGEN SAS**, Paris (FR)

(**) Term: **15 Years**

(21) Appl. No.: **29/702,143**

(22) Filed: **Aug. 16, 2019**

(30) **Foreign Application Priority Data**

Feb. 19, 2019 (EM) 006 260 220-0003

(51) **LOC (13) Cl.** **04-02**

(52) **U.S. Cl.**
USPC **D4/119; D4/127**

(58) **Field of Classification Search**
USPC D4/114, 115, 116, 117, 118, 119, 120,
D4/121, 122, 123, 124, 125, 126, 127,
D4/128, 129, 130, 131, 132, 133, 134,
D4/135, 136, 137, 138, 199; D28/7
CPC A46B 9/021
See application file for complete search history.

(56) **References Cited**

U.S. PATENT DOCUMENTS

D204,581 S * 4/1966 Coulson D24/211
D464,564 S * 10/2002 Wilson D9/556

D508,208 S * 8/2005 Ozaki D9/688
D510,863 S * 10/2005 Juhng D9/436
D654,792 S * 2/2012 Bertelsen D9/436
8,328,449 B2 * 12/2012 Wightman A61M 5/3156
401/174
D688,138 S * 8/2013 Kim D9/690
D716,666 S * 11/2014 Park D9/690
D819,976 S * 6/2018 Albers D4/120
D858,282 S * 9/2019 Han D9/436
D876,840 S * 3/2020 Wiener D4/114

* cited by examiner

Primary Examiner — Karen E Eldridge Powers
(74) *Attorney, Agent, or Firm* — Burriss Law, PLLC

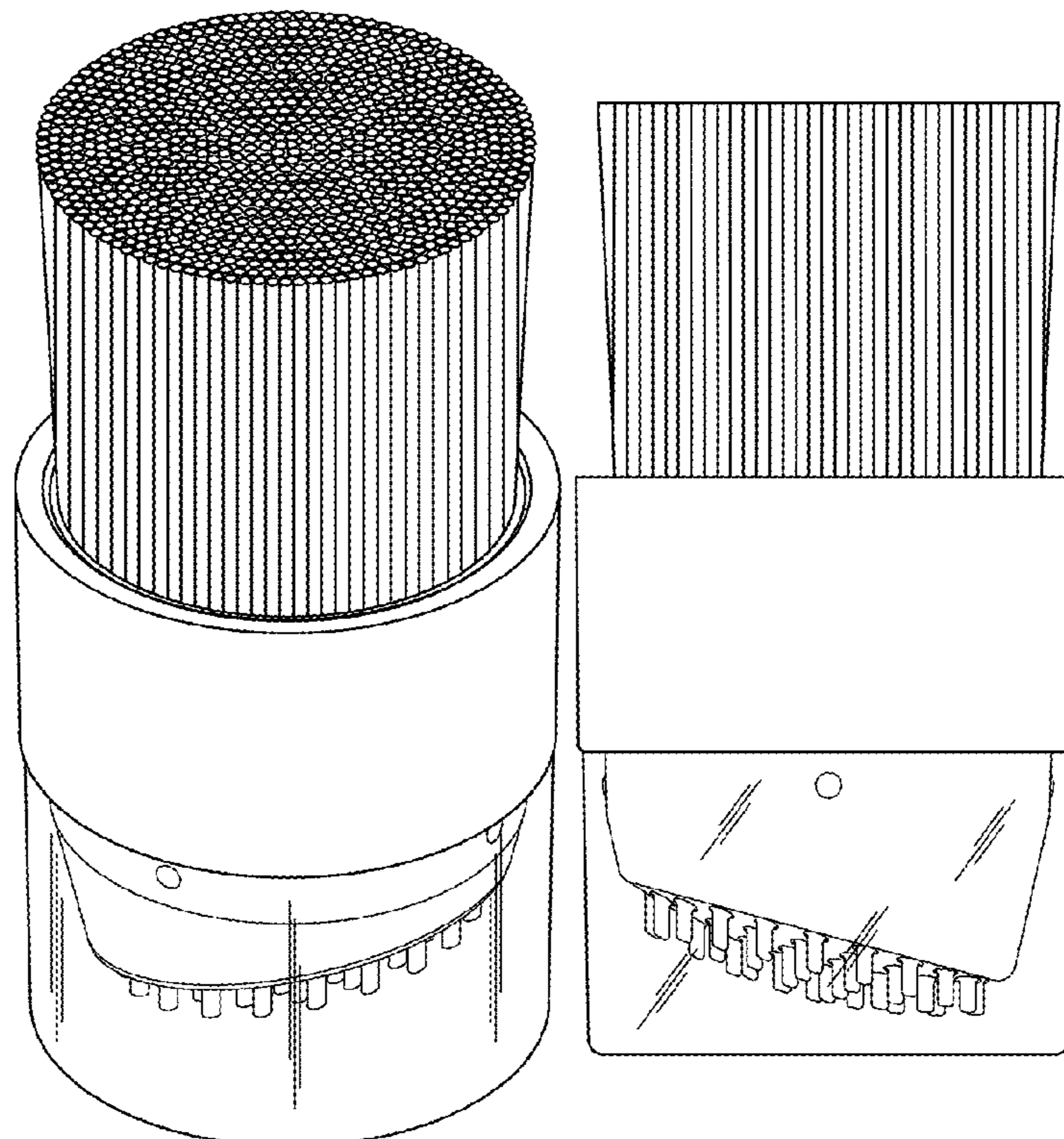
(57) **CLAIM**

The ornamental design for dual-ended cosmetic and personal care brush with cap, as shown and described.

DESCRIPTION

FIG. 1 is a front perspective view of the dual-ended cosmetic and personal care brush with cap;
FIG. 2 is a left side elevation view thereof;
FIG. 3 is a right side elevation view thereof;
FIG. 4 is a top plan view thereof;
FIG. 5 is a bottom plan view thereof;
FIG. 6 is a front elevation view thereof; and,
FIG. 7 is a rear elevation view thereof.

1 Claim, 7 Drawing Sheets



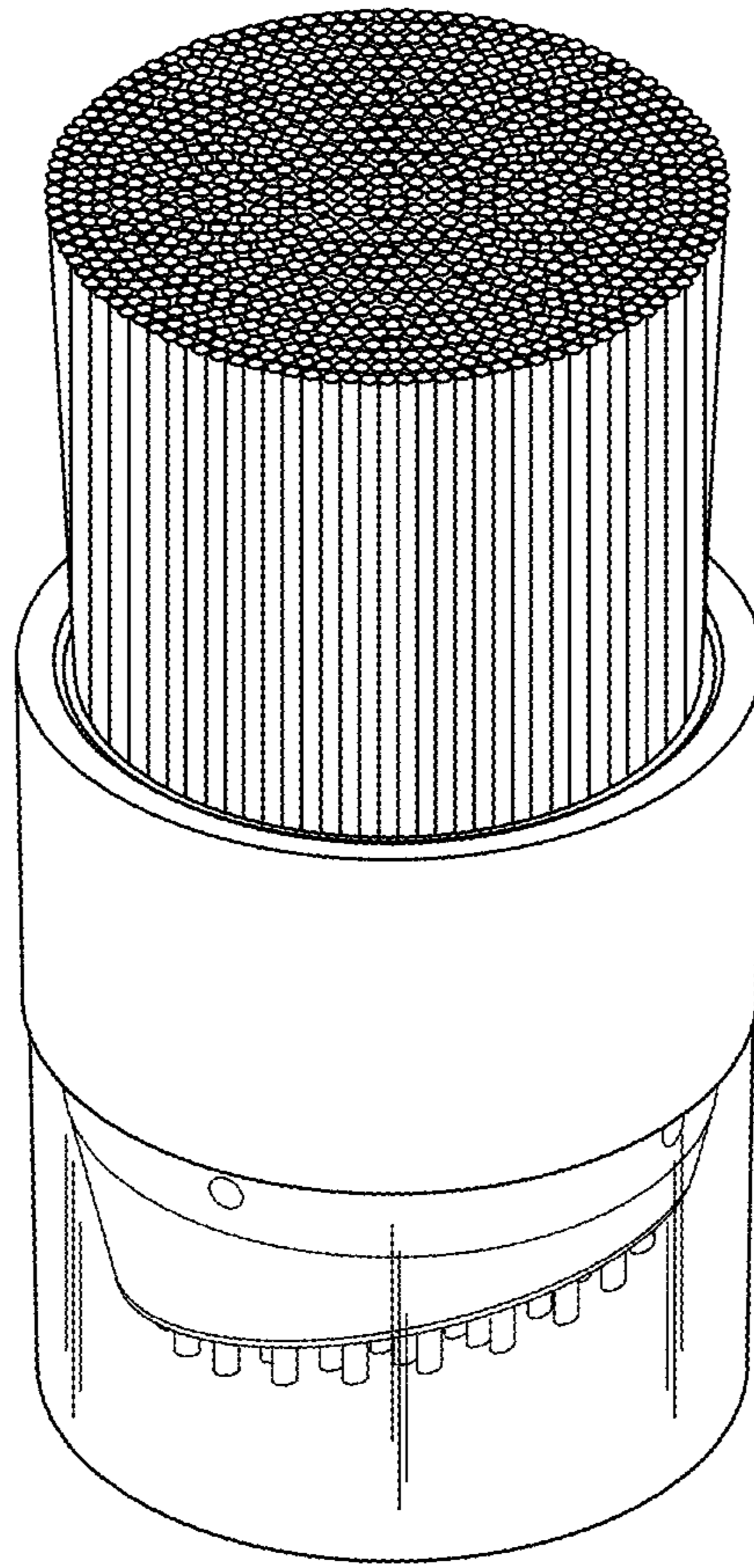


FIG. 1

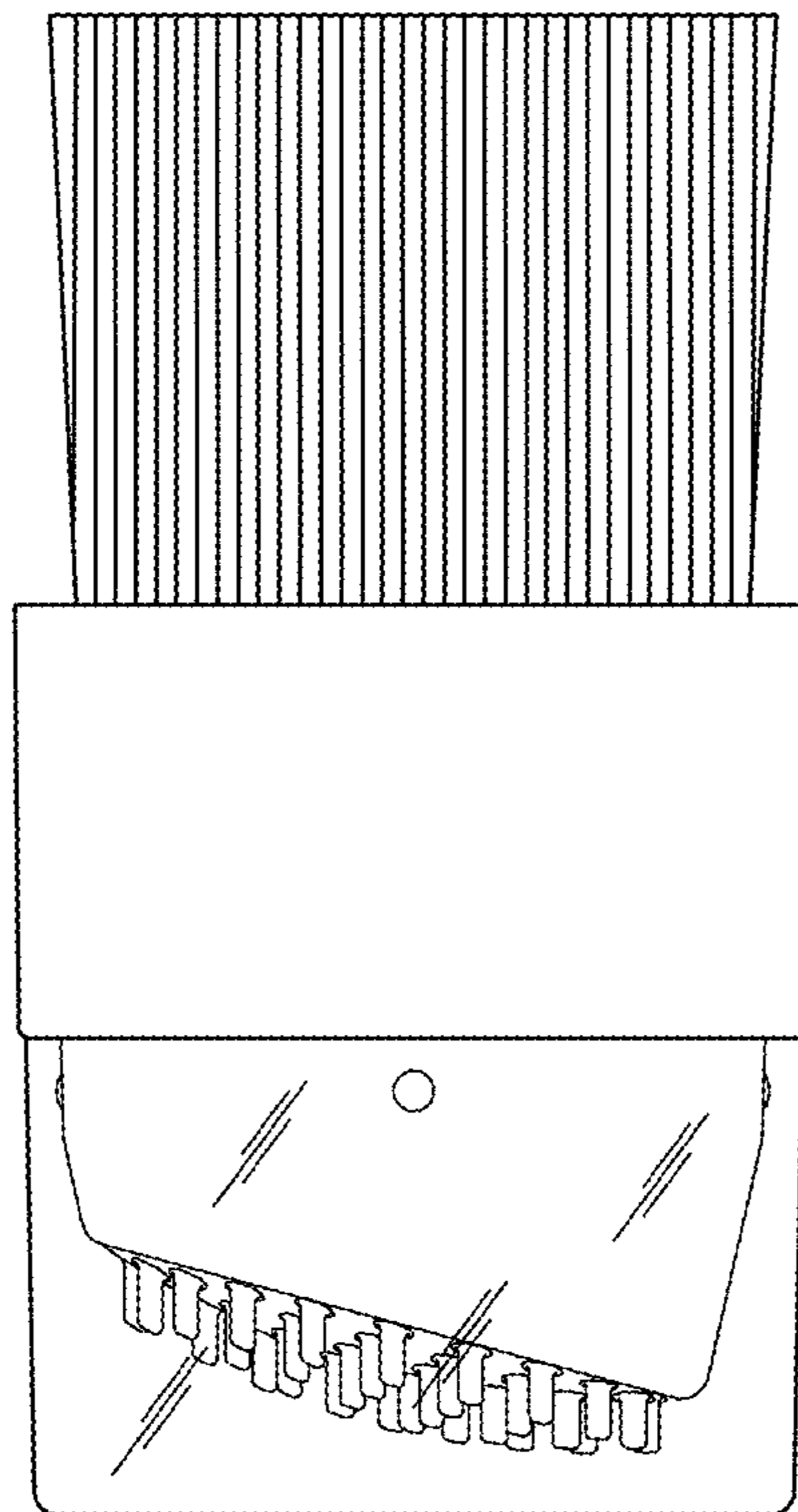


FIG. 2

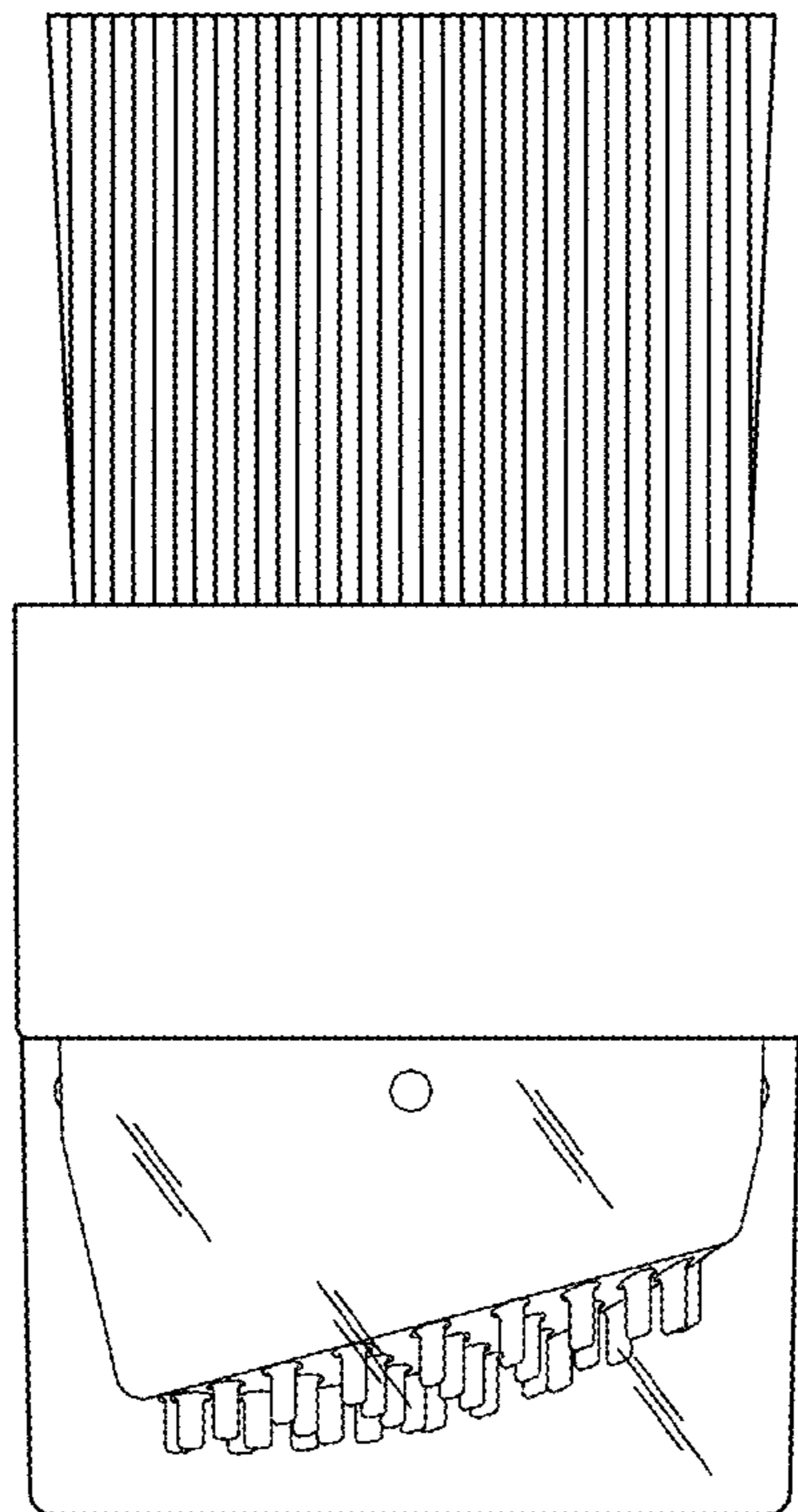


FIG. 3

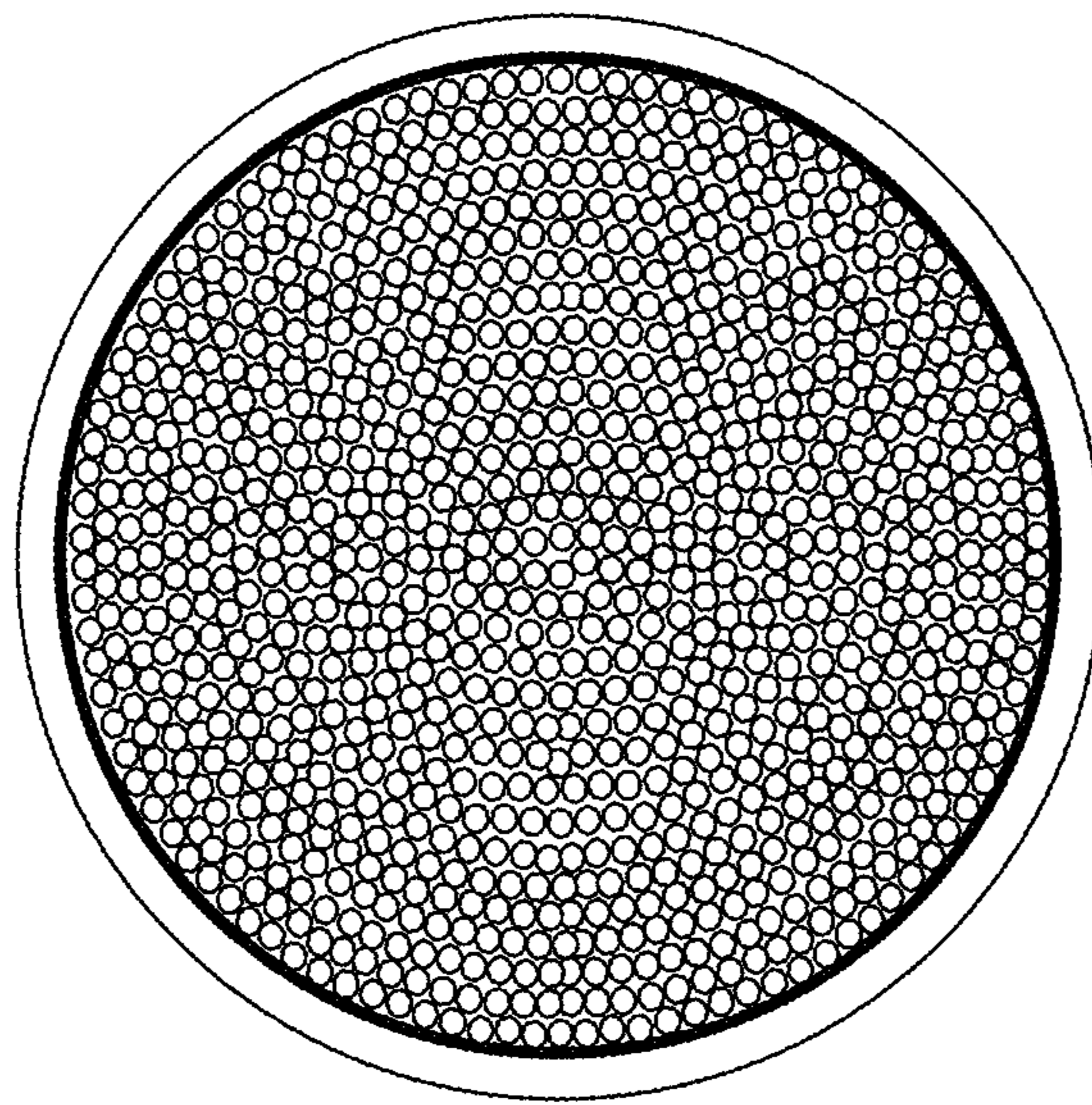


FIG. 4

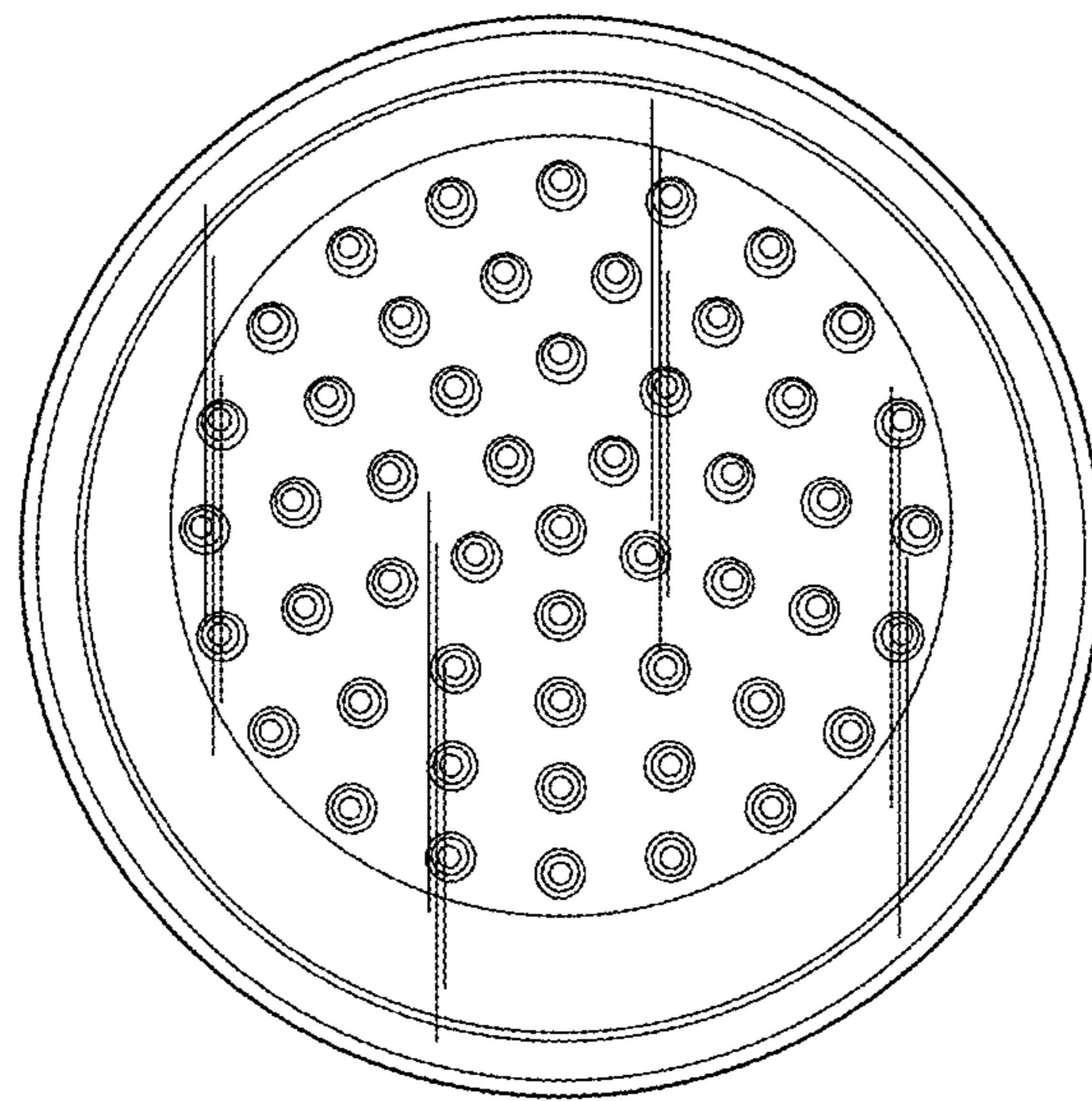


FIG. 5

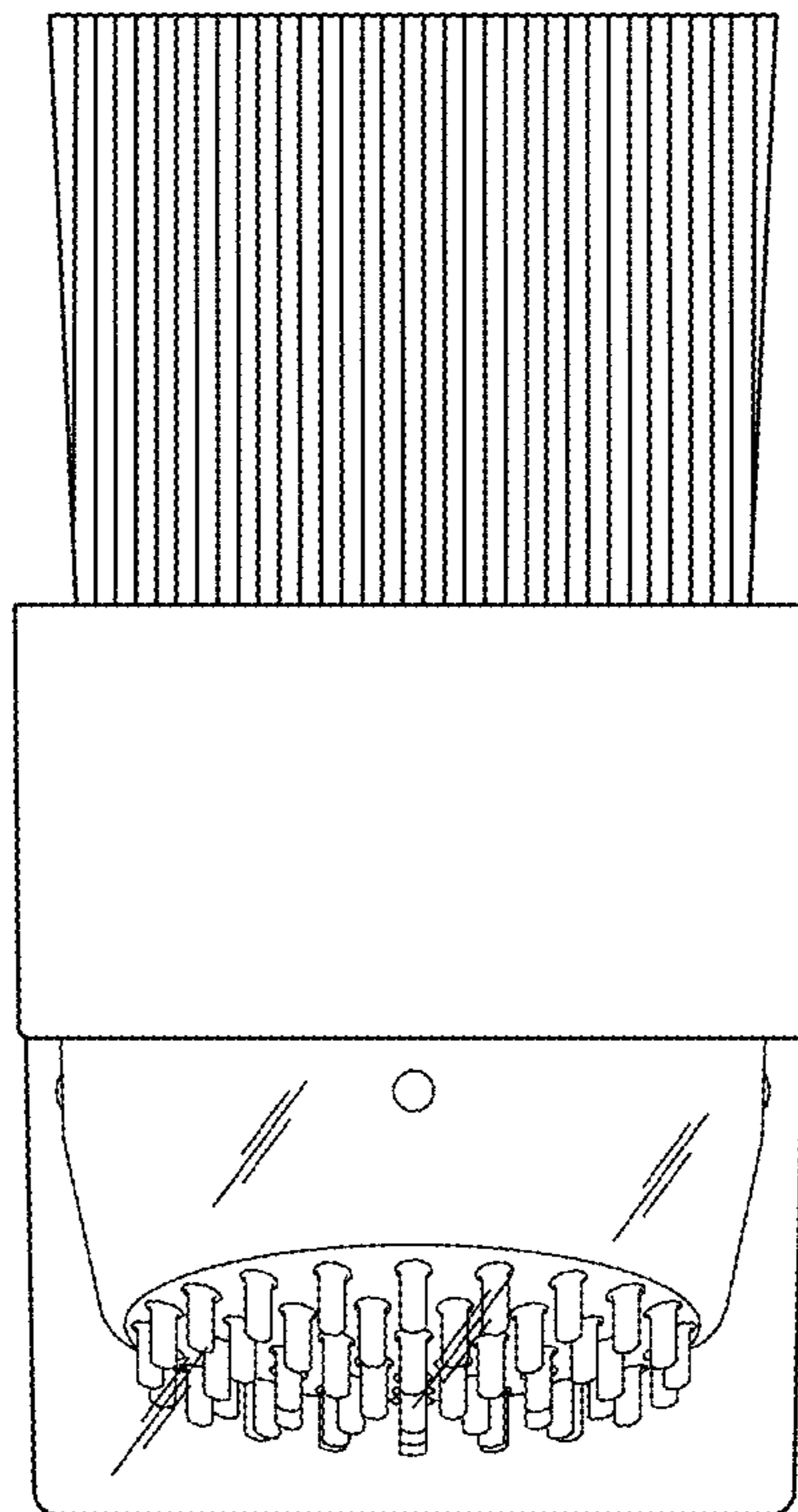


FIG. 6

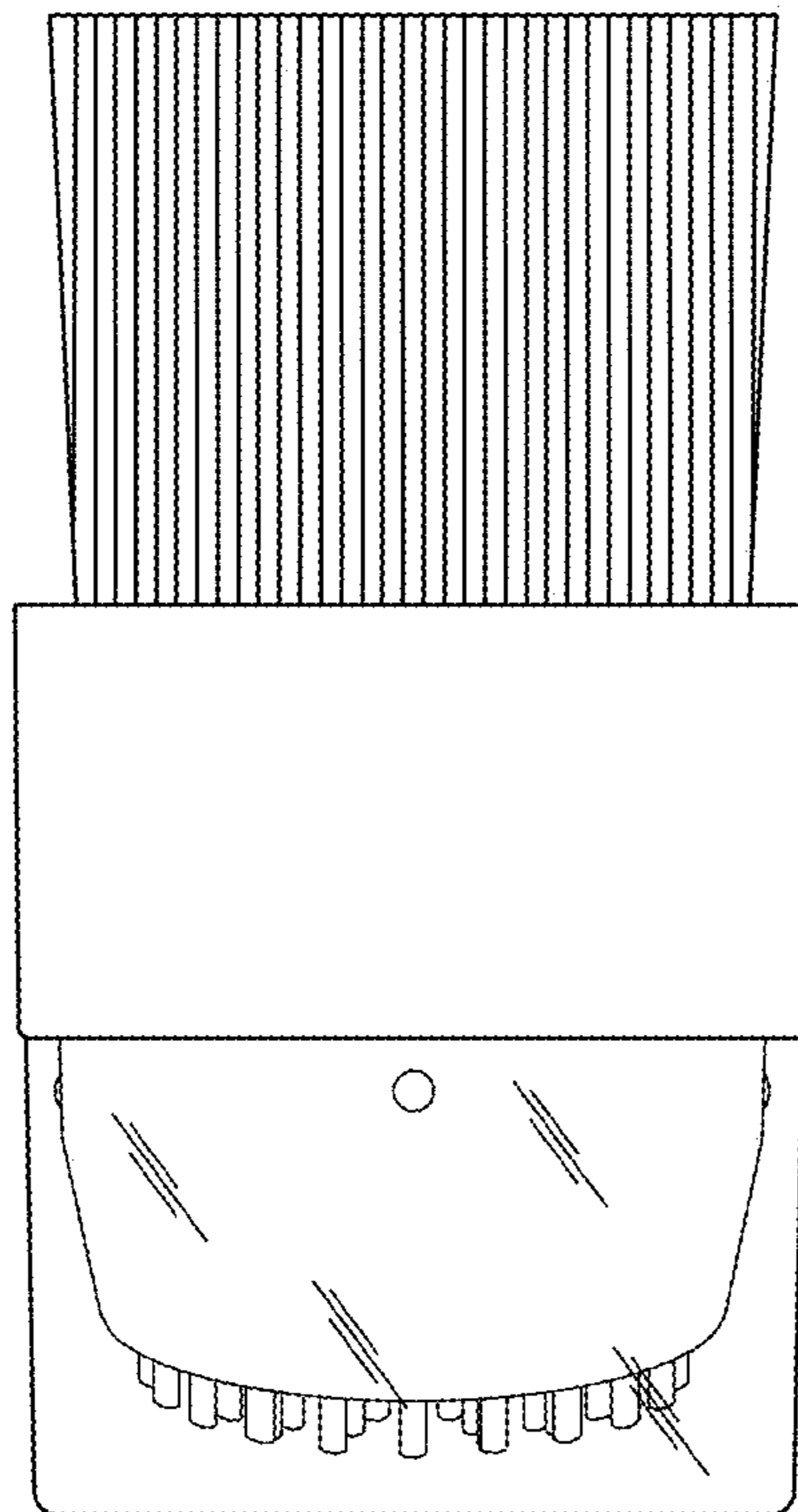


FIG. 7