



US00D922770S

(12) **United States Design Patent**  
**Case et al.**

(10) **Patent No.:** **US D922,770 S**

(45) **Date of Patent:** **\*\* Jun. 22, 2021**

(54) **ZIPPER**

(71) Applicant: **Nite Ize, Inc.**, Boulder, CO (US)

(72) Inventors: **Rick Case**, Boulder, CO (US); **Michael C. Boyd**, Boulder, CO (US); **Bowden Ormsbee**, Longmont, CO (US); **Dale Karacostas**, Boulder, CO (US); **Clint Todd**, Boulder, CO (US); **Carley Mulder**, Boulder, CO (US)

(73) Assignee: **Nite Ize, Inc.**, Boulder, CO (US)

(\*\*) Term: **15 Years**

(21) Appl. No.: **29/673,445**

(22) Filed: **Dec. 14, 2018**

**Related U.S. Application Data**

(63) Continuation of application No. 29/672,459, filed on Dec. 5, 2018, now Pat. No. Des. 896,511.

(51) **LOC (13) Cl.** ..... **03-01**

(52) **U.S. Cl.**  
USPC ..... **D3/303**

(58) **Field of Classification Search**  
USPC ..... D3/247, 249–253, 300, 303; D2/857, D2/864  
CPC ..... A45F 5/022; A41D 27/20; A41D 27/204; A45C 1/06; A45C 3/08  
See application file for complete search history.

(56) **References Cited**

**U.S. PATENT DOCUMENTS**

D262,753 S \* 1/1982 Salata ..... D3/319  
D402,105 S \* 12/1998 Erickson ..... D3/215  
D489,180 S \* 5/2004 Kramer ..... D3/303  
D545,217 S \* 6/2007 Jeric ..... D9/709  
D702,043 S \* 4/2014 Johnson ..... D3/247

D709,700 S \* 7/2014 Nunez ..... D3/303  
D709,701 S \* 7/2014 Coleman ..... D3/303  
D710,106 S \* 8/2014 Coleman ..... D3/303  
D713,644 S \* 9/2014 Johnson ..... D3/303  
D751,815 S \* 3/2016 Pedrazzi ..... D3/245  
D807,640 S \* 1/2018 Goldszer ..... D3/303  
D855,995 S \* 8/2019 Case ..... D3/323  
D865,363 S \* 11/2019 Liu ..... D3/303  
D896,511 S \* 9/2020 Case ..... D3/247  
D902,052 S \* 11/2020 Case ..... D9/709  
D902,590 S \* 11/2020 Case ..... D3/303

(Continued)

**OTHER PUBLICATIONS**

RunOff Waterproof Wallet, posted at supplycache.com, no posting date, retrieved Aug. 2, 2020, online, URL: <https://www.supplycache.com/products/runoff-waterproof-wallet-nite-ize> (Year: 2020).\*

*Primary Examiner* — Lilyana Bekic

*Assistant Examiner* — Mary Shannon Malley

(74) *Attorney, Agent, or Firm* — Haynes and Boone LLP

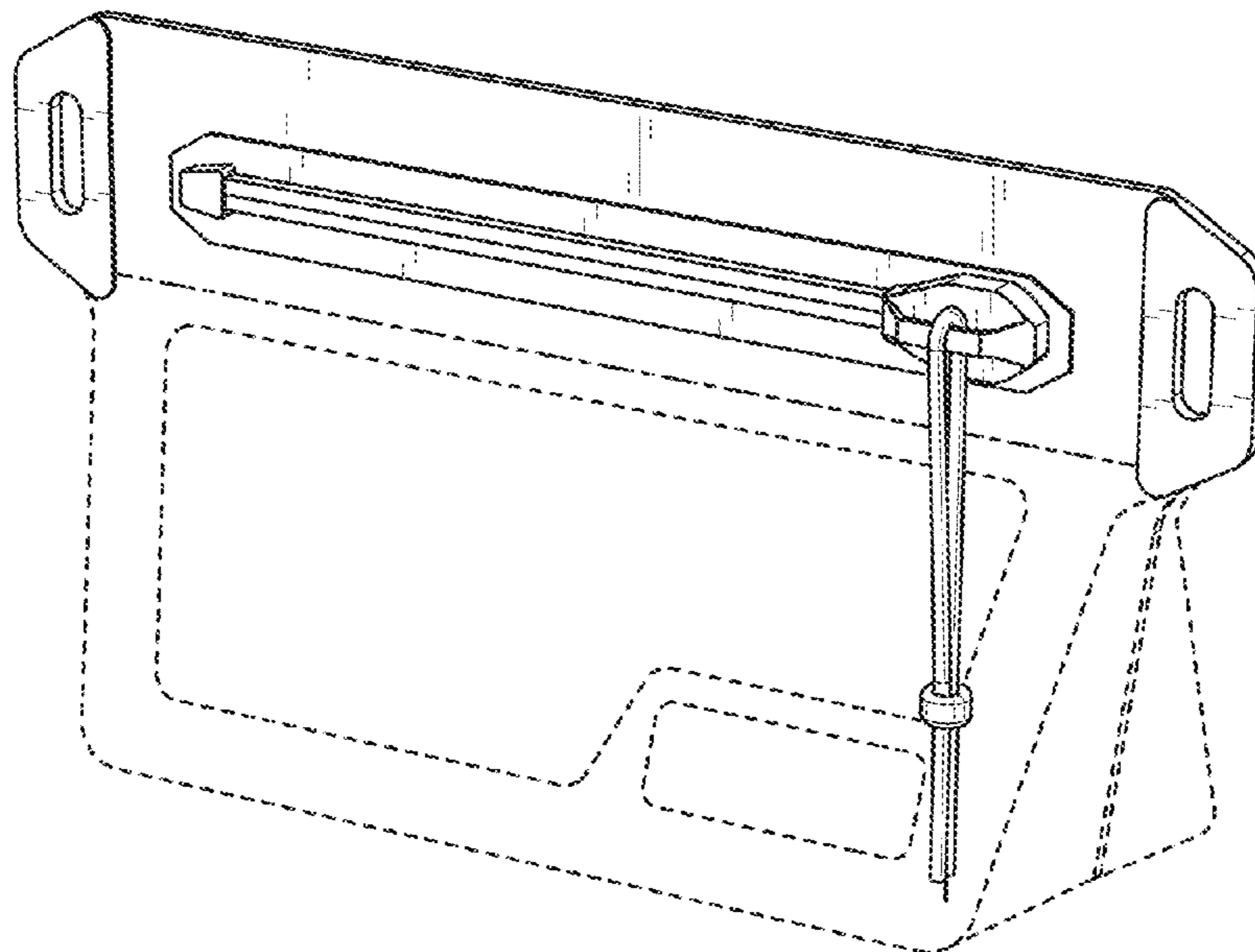
(57) **CLAIM**

The ornamental design for a zipper, as shown and described.

**DESCRIPTION**

FIG. 1 shows a front perspective view of a zipper; FIG. 2 shows a rear perspective view of the zipper of FIG. 1; FIG. 3 shows a front view of the zipper of FIG. 1; FIG. 4 shows a rear view of the zipper of FIG. 1; FIG. 5 shows a right-side view of the zipper of FIG. 1; FIG. 6 shows a left-side view of the zipper of FIG. 1; FIG. 7 shows a top view of the zipper of FIG. 1; and, FIG. 8 shows a bottom view of the zipper of FIG. 1. The dashed lines depict environment and form no part of the claimed design. The dashed-dot lines illustrate a boundary of the claimed design and form no part of the claimed design.

**1 Claim, 8 Drawing Sheets**



(56)

**References Cited**

U.S. PATENT DOCUMENTS

2003/0185466 A1 \* 10/2003 Edelman ..... B65D 33/2591  
383/5

\* cited by examiner

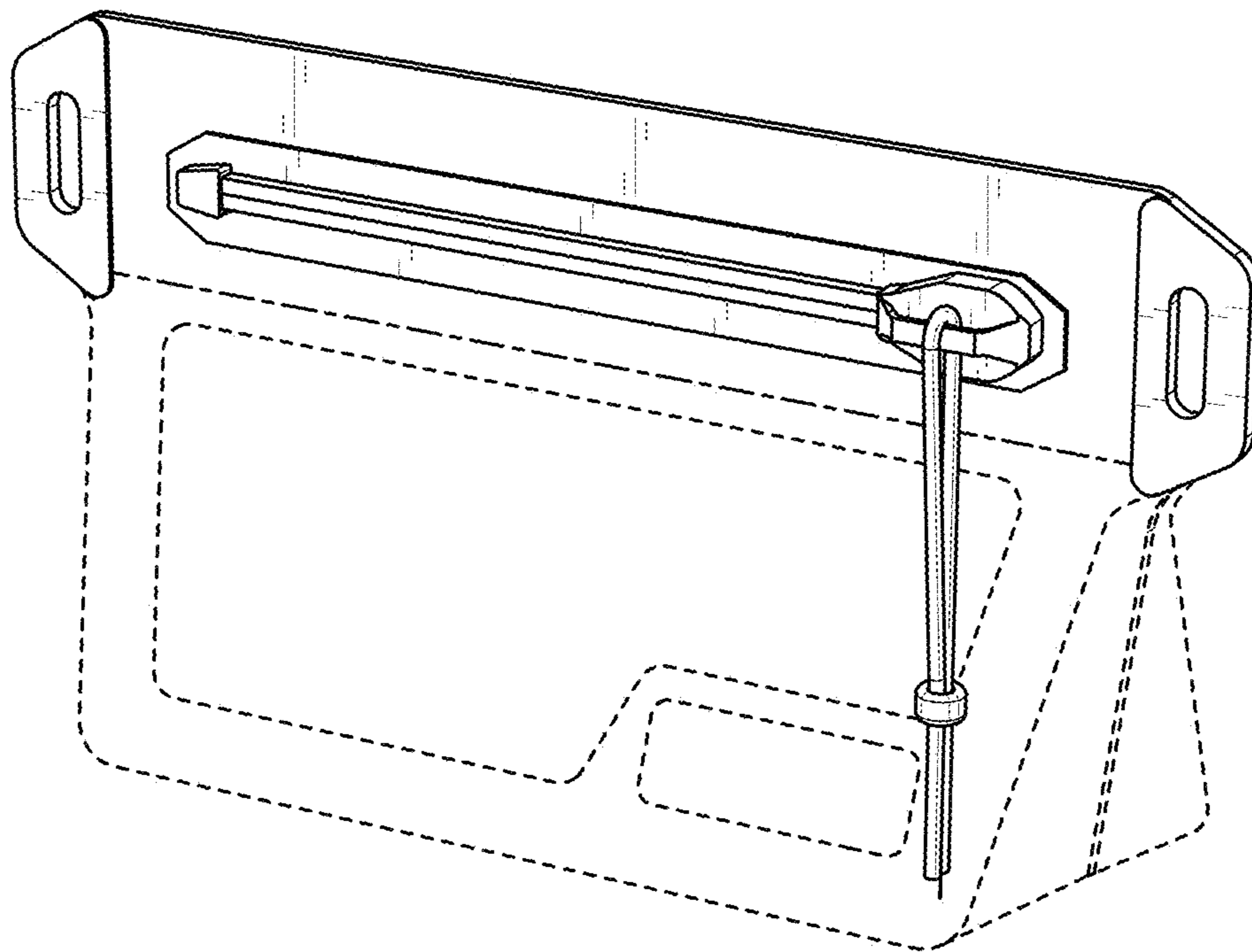


FIG. 1

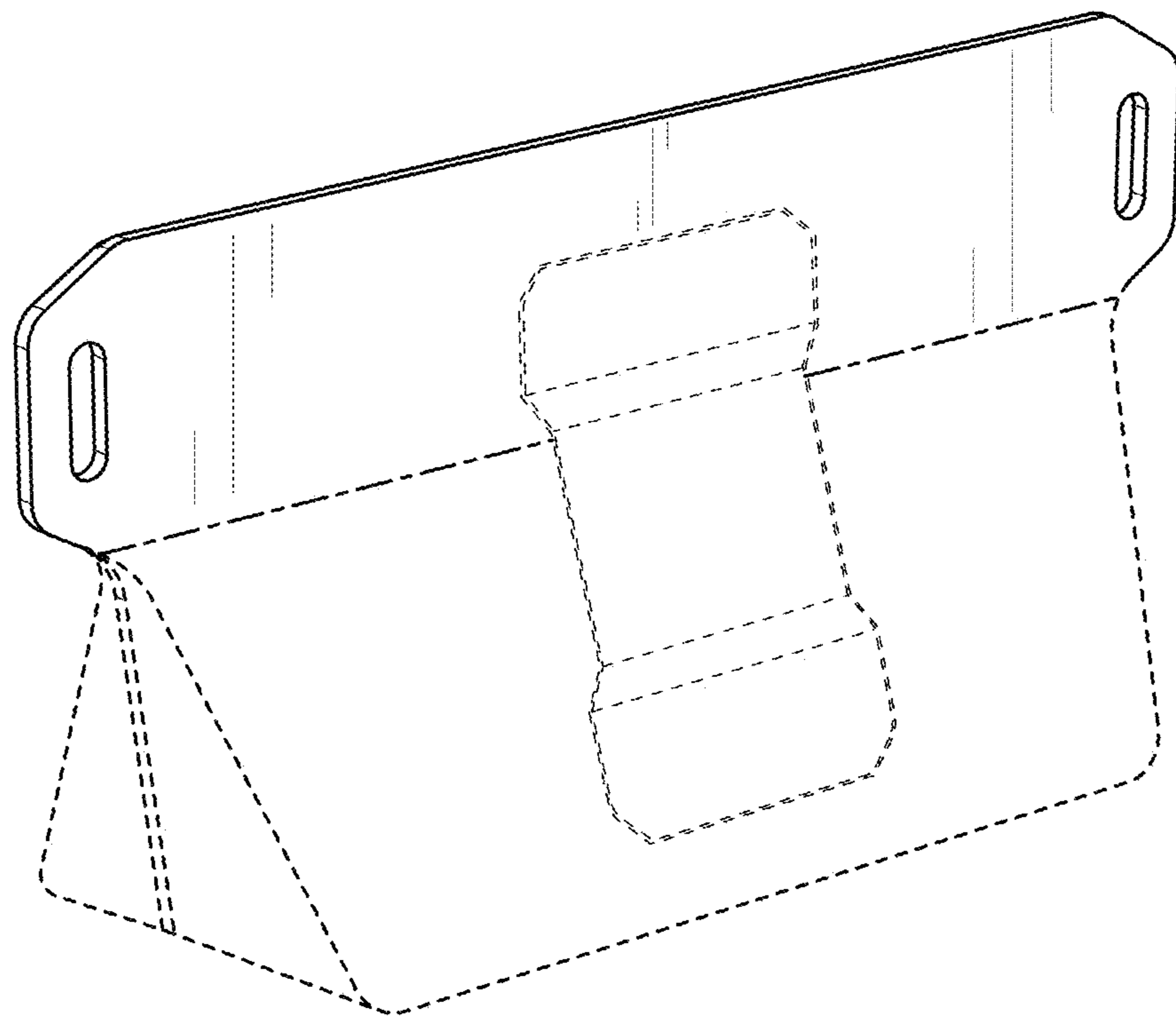


FIG. 2

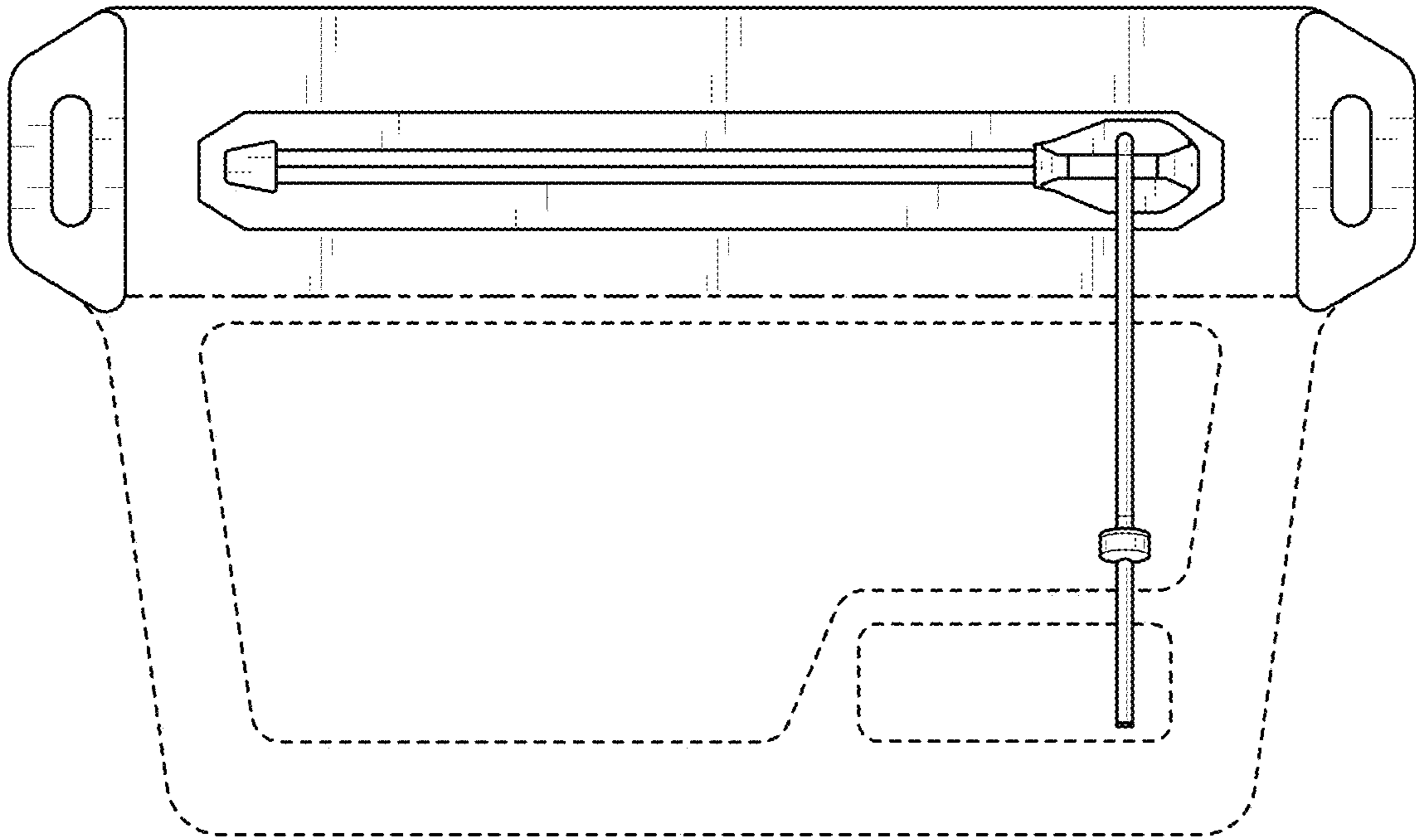


FIG. 3

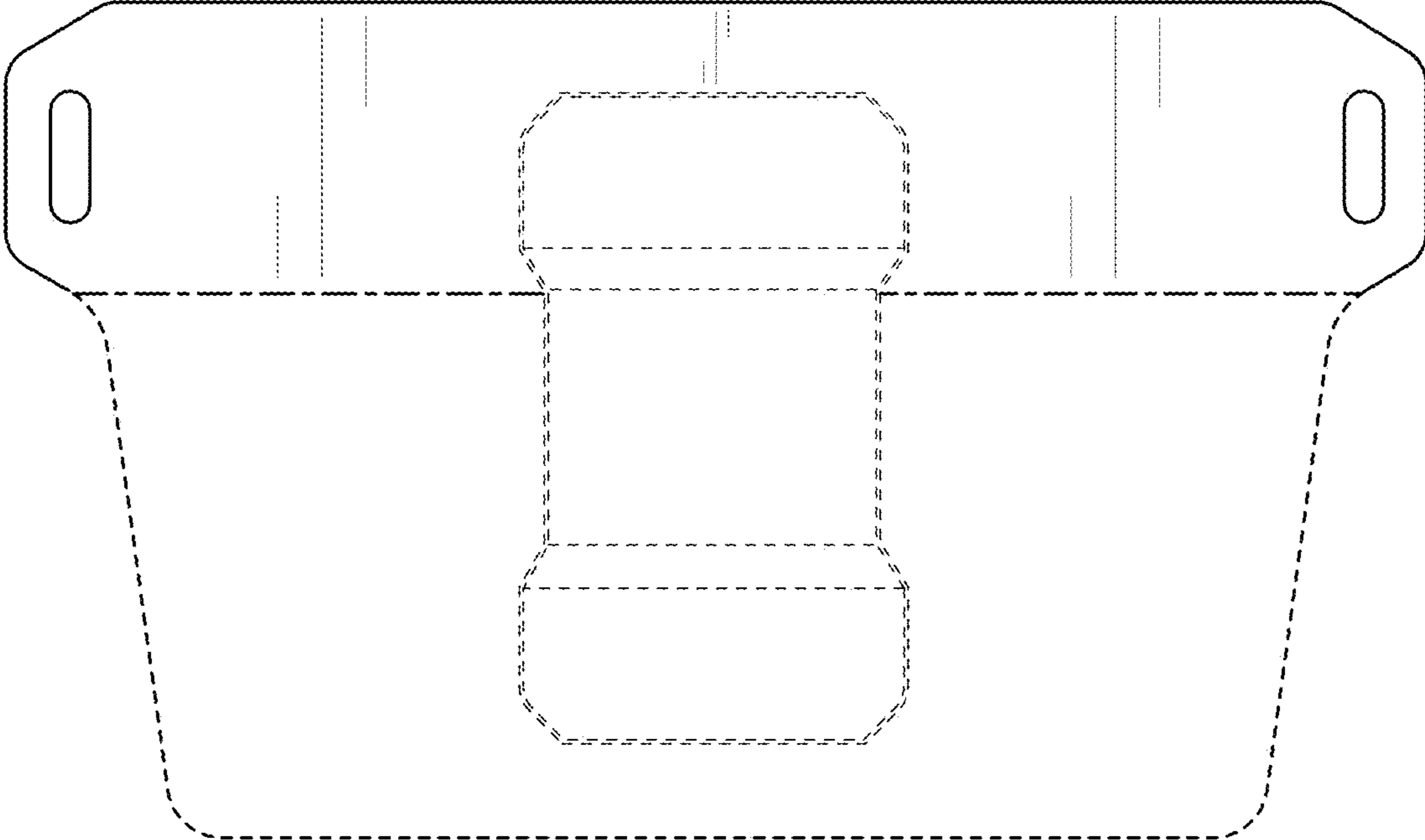


FIG. 4

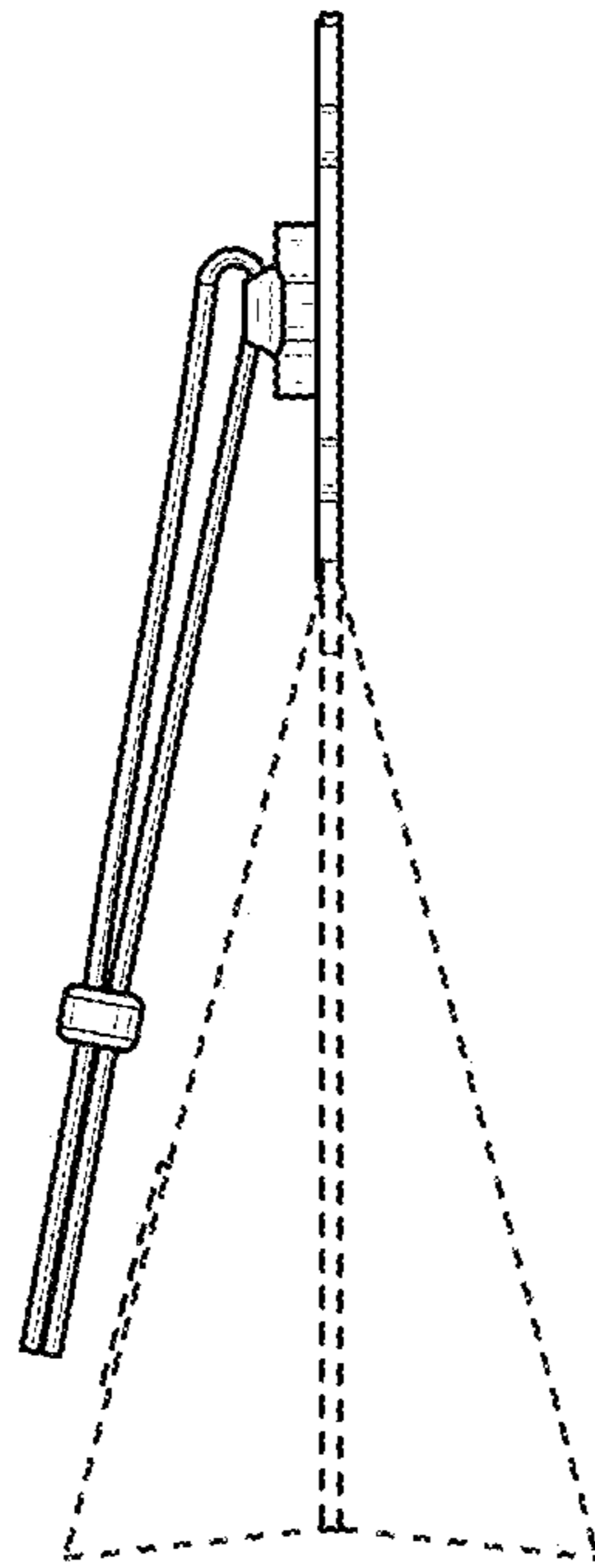


FIG. 5

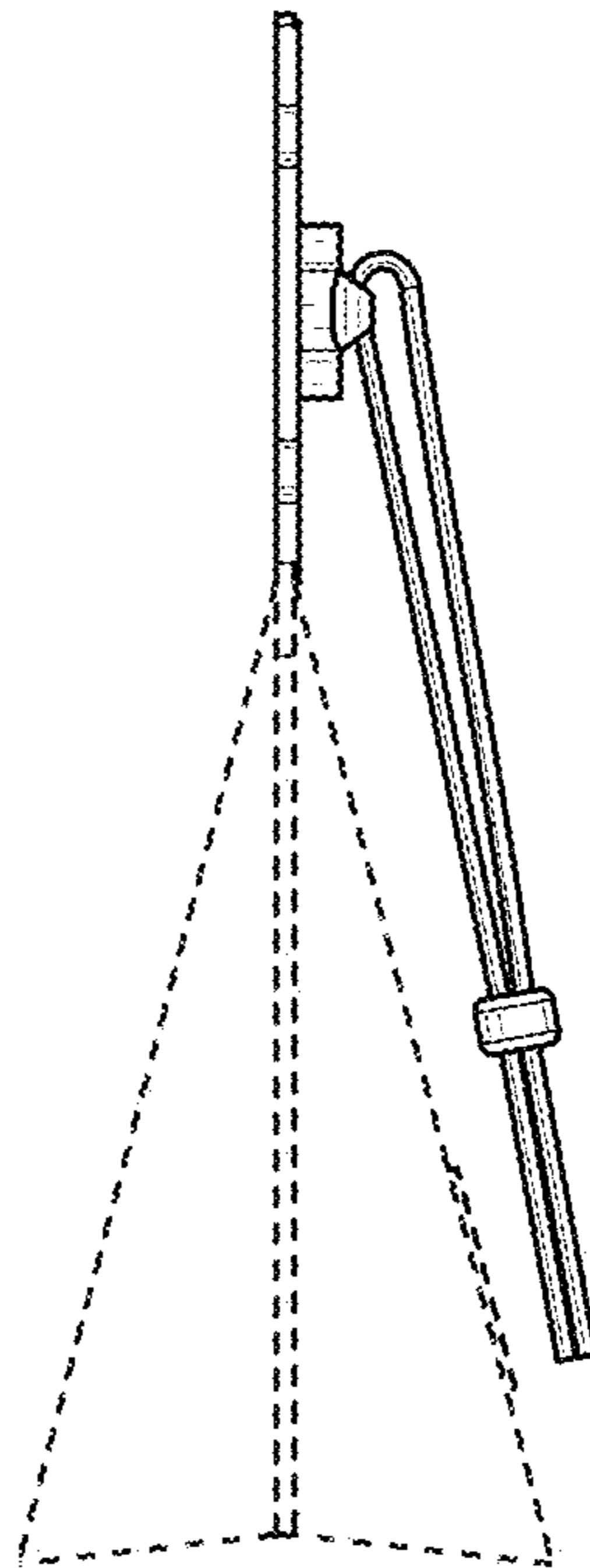


FIG. 6



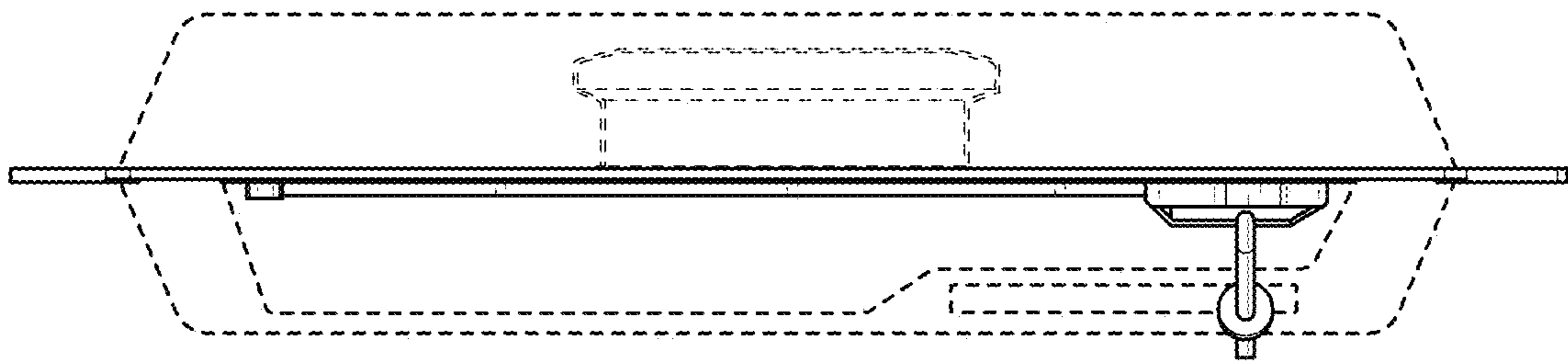


FIG. 7

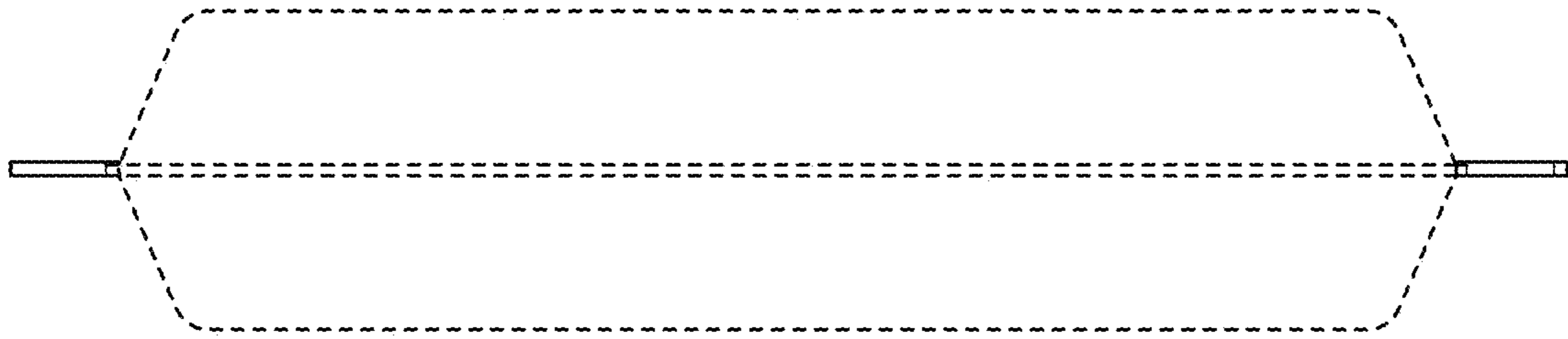


FIG. 8