



US00D922767S

(12) **United States Design Patent** (10) **Patent No.:** **US D922,767 S**  
**Stone** (45) **Date of Patent:** **\*\* Jun. 22, 2021**

(54) **BAG WITH INTEGRATED LOCK**  
(71) Applicant: **Stash Logix, Co.**, Boulder, CO (US)  
(72) Inventor: **Barry Stone**, Boulder, CO (US)  
(73) Assignee: **Stash Logix, Co.**, Boulder, CO (US)  
(\*\*) Term: **15 Years**  
(21) Appl. No.: **29/671,911**  
(22) Filed: **Nov. 30, 2018**  
(51) **LOC (13) Cl.** ..... **03-01**  
(52) **U.S. Cl.**  
USPC ..... **D3/274; D3/290; D3/299**  
(58) **Field of Classification Search**  
USPC .... D3/20, 201, 203.6, 206, 233, 267, 271.1,  
D3/273, 274, 276, 283, 284, 285, 287,  
D3/289, 295, 900, 901, 905, 301, 232,  
D3/243, 299, 290  
CPC ..... B25H 3/003; B25H 3/02; A45C 11/00;  
A45C 2013/025; A45C 11/38; A45C  
11/34; A45C 5/005; A45C 2003/008;  
A45C 3/00  
See application file for complete search history.

D755,504 S \* 5/2016 Thomson ..... D3/206  
D822,986 S \* 7/2018 Viger ..... D3/246  
D844,323 S \* 4/2019 Shuai ..... D3/274  
D863,758 S \* 10/2019 Bloom ..... D3/243  
D868,461 S \* 12/2019 Gvasalia ..... D3/243

**OTHER PUBLICATIONS**

Icebox Knitting, "Stash Logix, Santa's got a new bag!", Posted Dec. 21, 2017. (<http://iceboxknitting.com/2017/12/21/stash-logix-santas-got-a-new-bag/>) (Year: 2017).\*  
Amazon, "Yisun Smell Proof Bag . . .", First reviewed Dec. 8, 2019. (<https://www.amazon.com/dp/B07Z3Y6V8D/>) (Year: 2019).\*

\* cited by examiner

*Primary Examiner* — April Rivas  
(74) *Attorney, Agent, or Firm* — Holland & Hart LLP

(57) **CLAIM**

The ornamental design for a bag with integrated lock, as shown and described.

**DESCRIPTION**

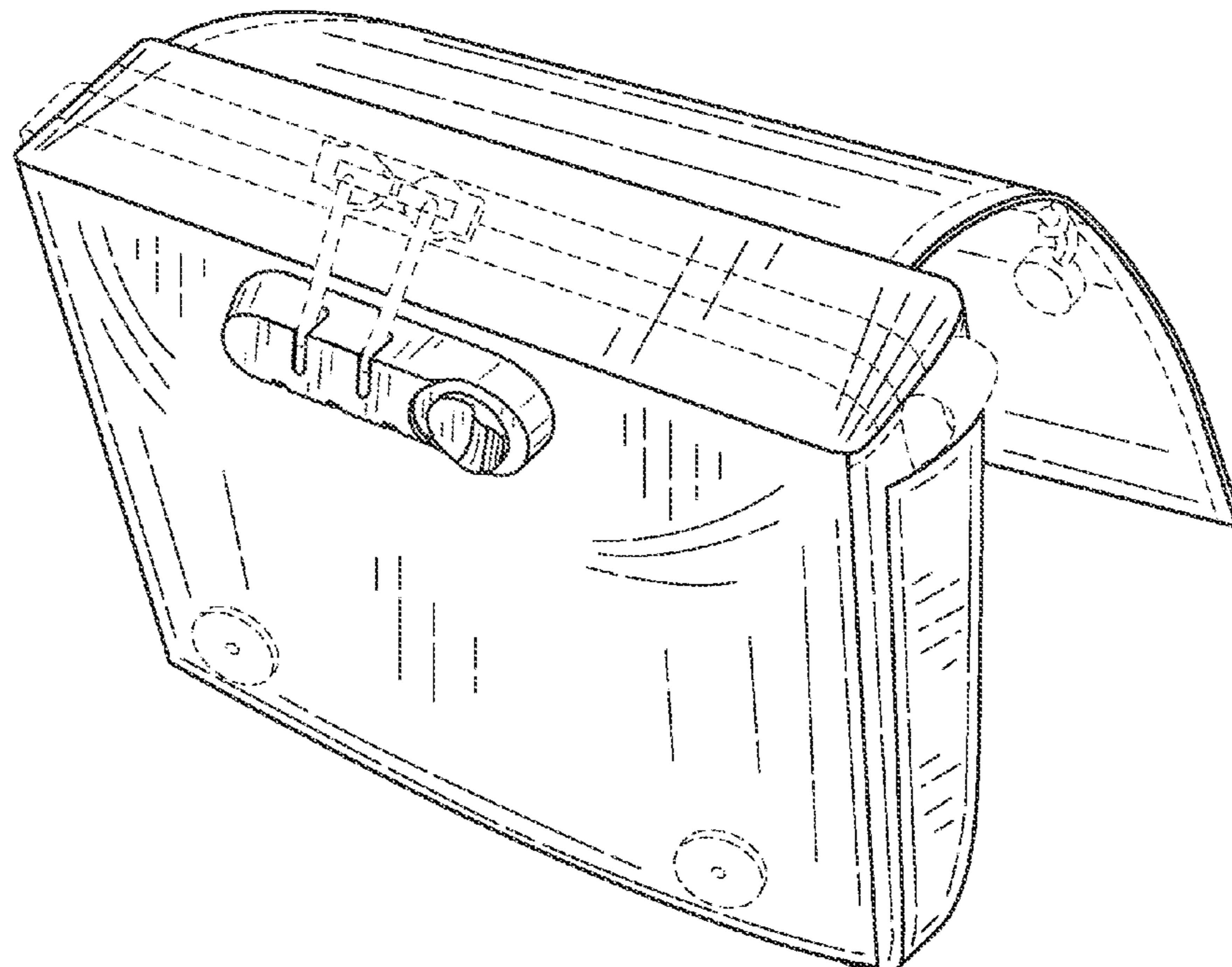
FIG. 1 is a front perspective view of the bag with integrated lock, showing my new design;  
FIG. 2 is a front view of the design illustrated in FIG. 1;  
FIG. 3 is a rear view of the design illustrated in FIG. 1;  
FIG. 4 is a right side view of the design illustrated in FIG. 1;  
FIG. 5 is a left side view of the design illustrated in FIG. 1;  
FIG. 6 is a top view of the design illustrated in FIG. 1; and,  
FIG. 7 is a bottom view of the design illustrated in FIG. 1.  
The broken lines in the drawings are for the purpose of illustrating unclaimed portions of the bag with integrated lock and form no part of the claimed design.

**1 Claim, 7 Drawing Sheets**

(56) **References Cited**

**U.S. PATENT DOCUMENTS**

D258,702 S \* 3/1981 Weinreb ..... D3/243  
6,206,567 B1 \* 3/2001 Cyr ..... A45C 3/00  
190/903  
D522,749 S \* 6/2006 Tortorella ..... D3/299  
D530,917 S \* 10/2006 Conforti ..... D3/299  
D621,152 S \* 8/2010 Lebow ..... D3/203.1  
D695,521 S \* 12/2013 Vernall ..... D3/299  
D719,346 S \* 12/2014 Thomson ..... D3/206



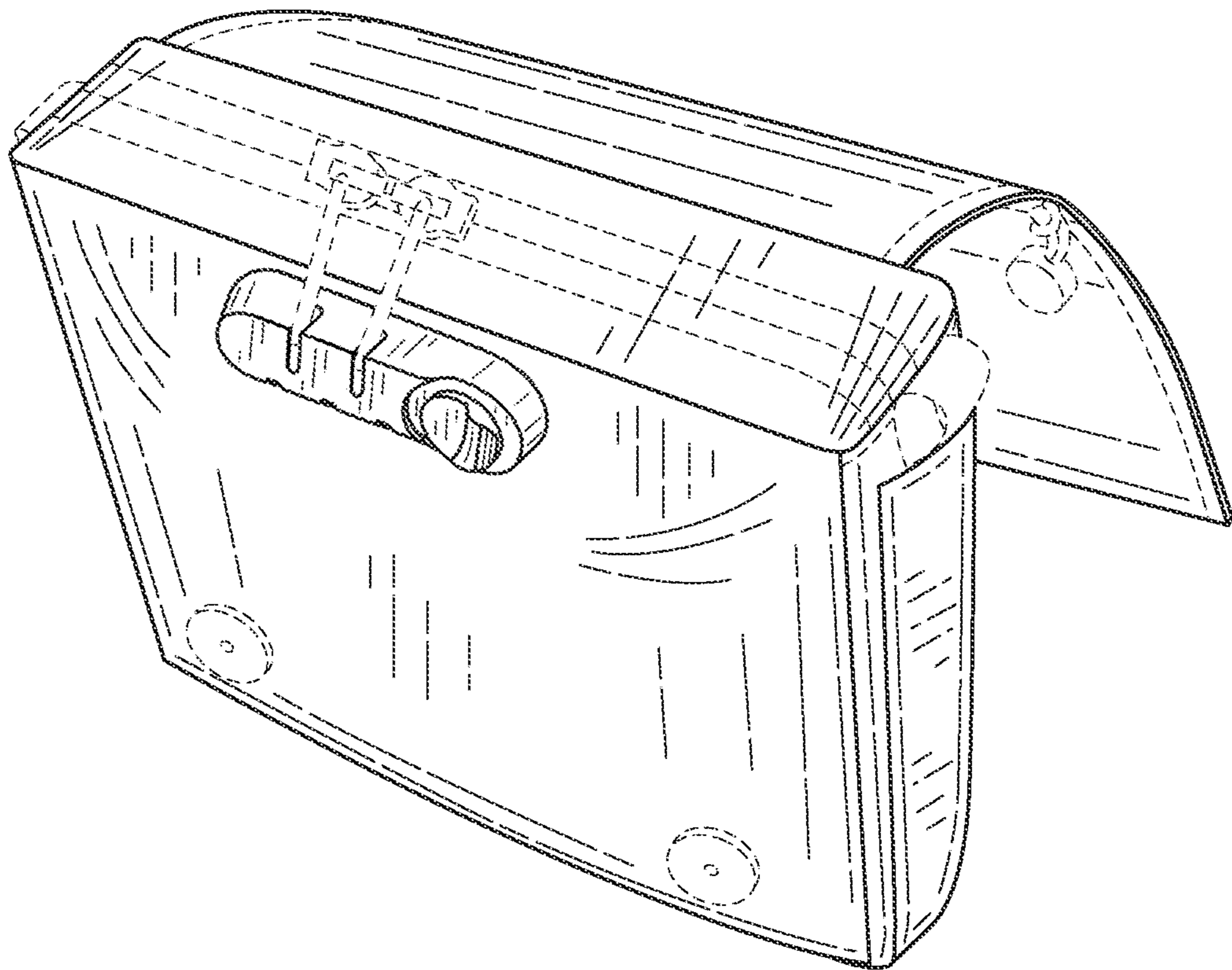


FIG. 1

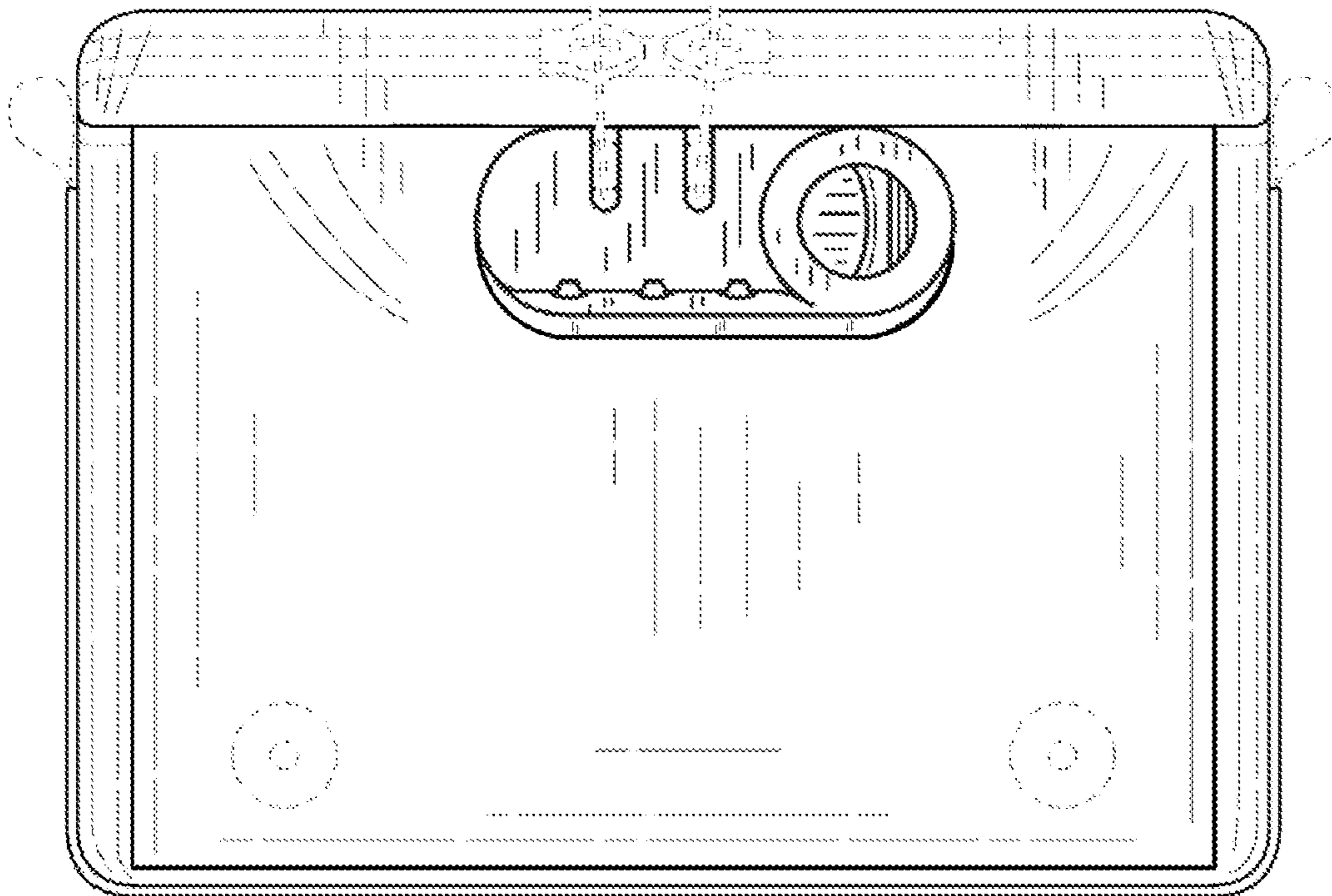


FIG.2

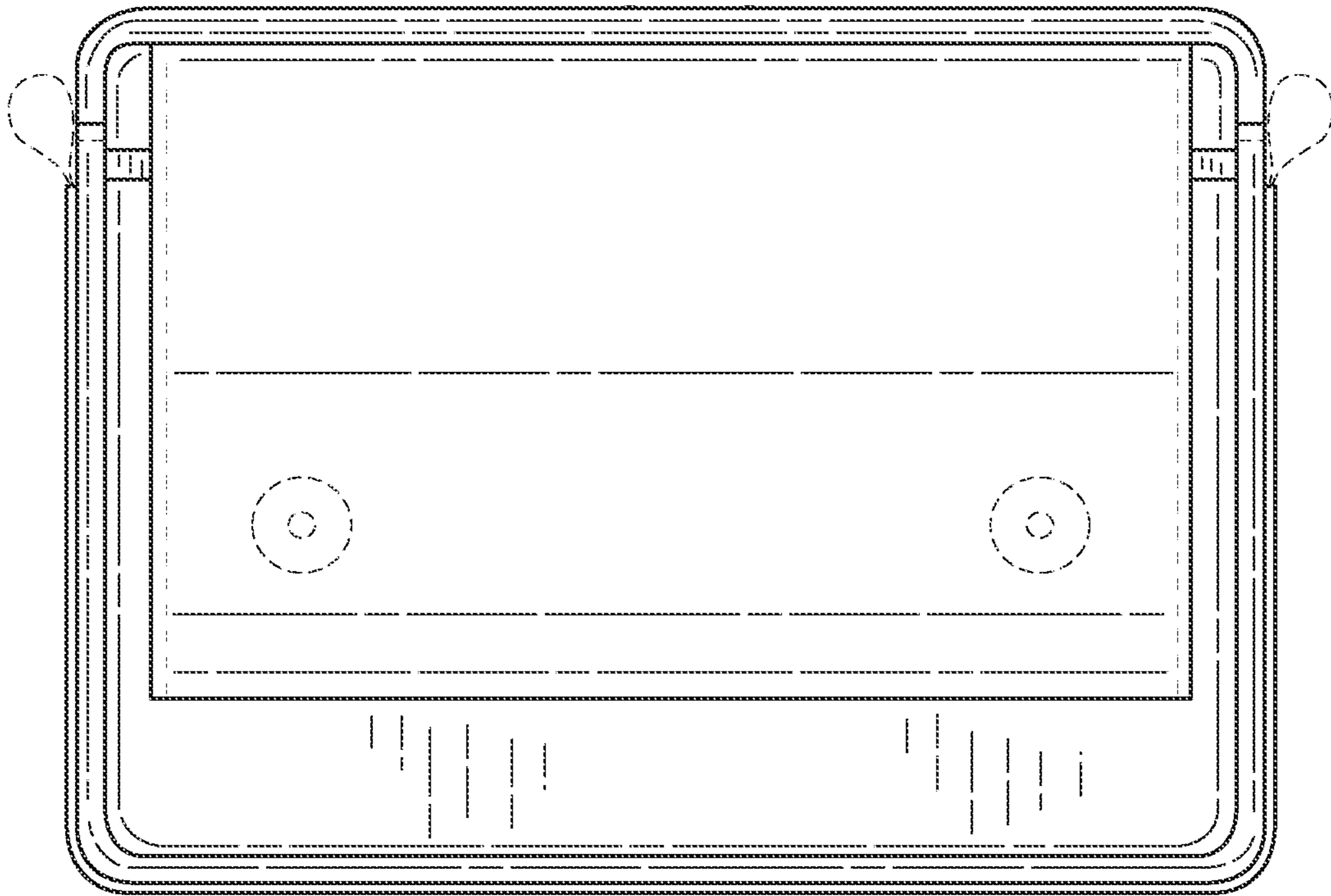


FIG. 3

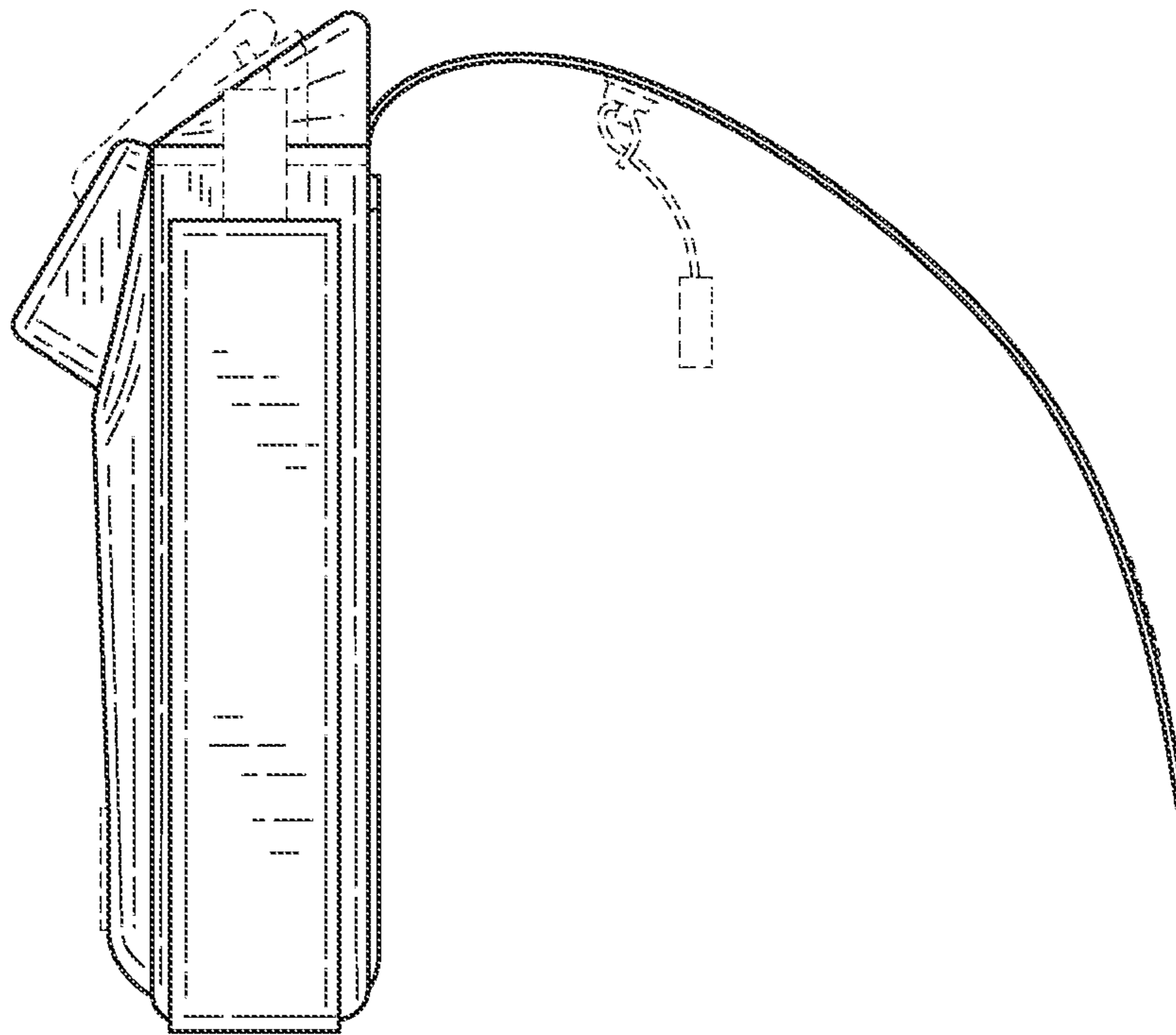


FIG.4

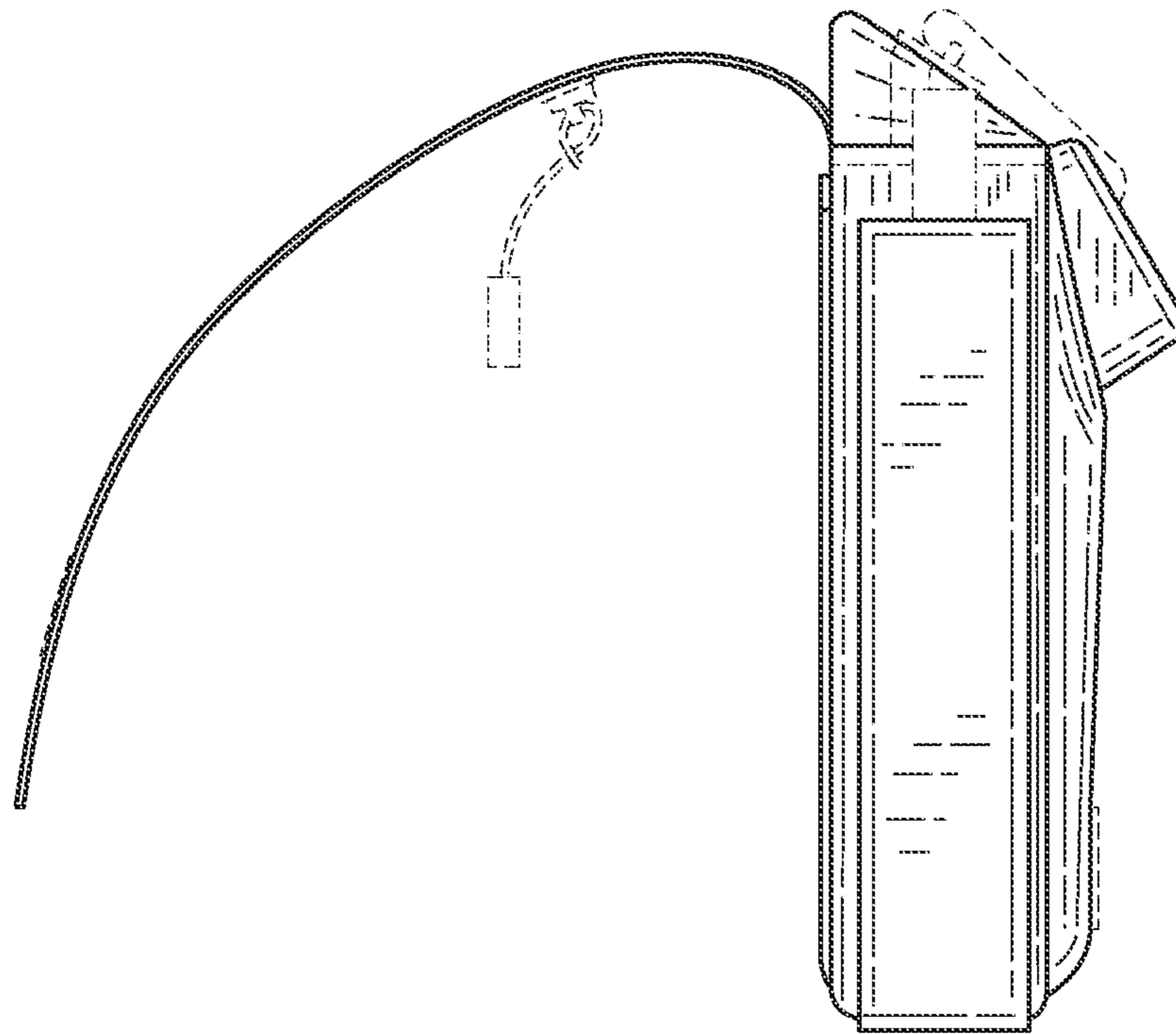


FIG.5

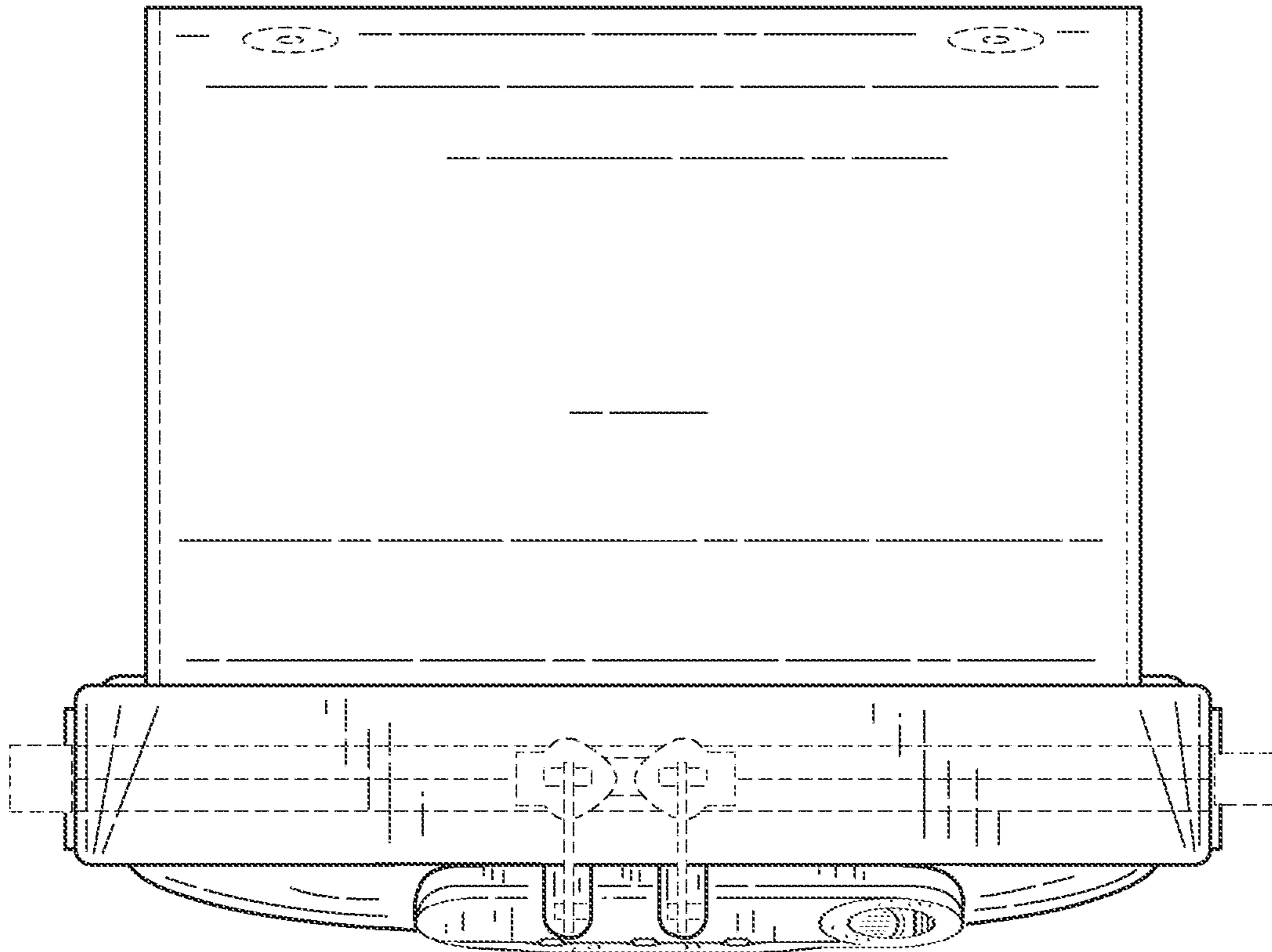


FIG.6

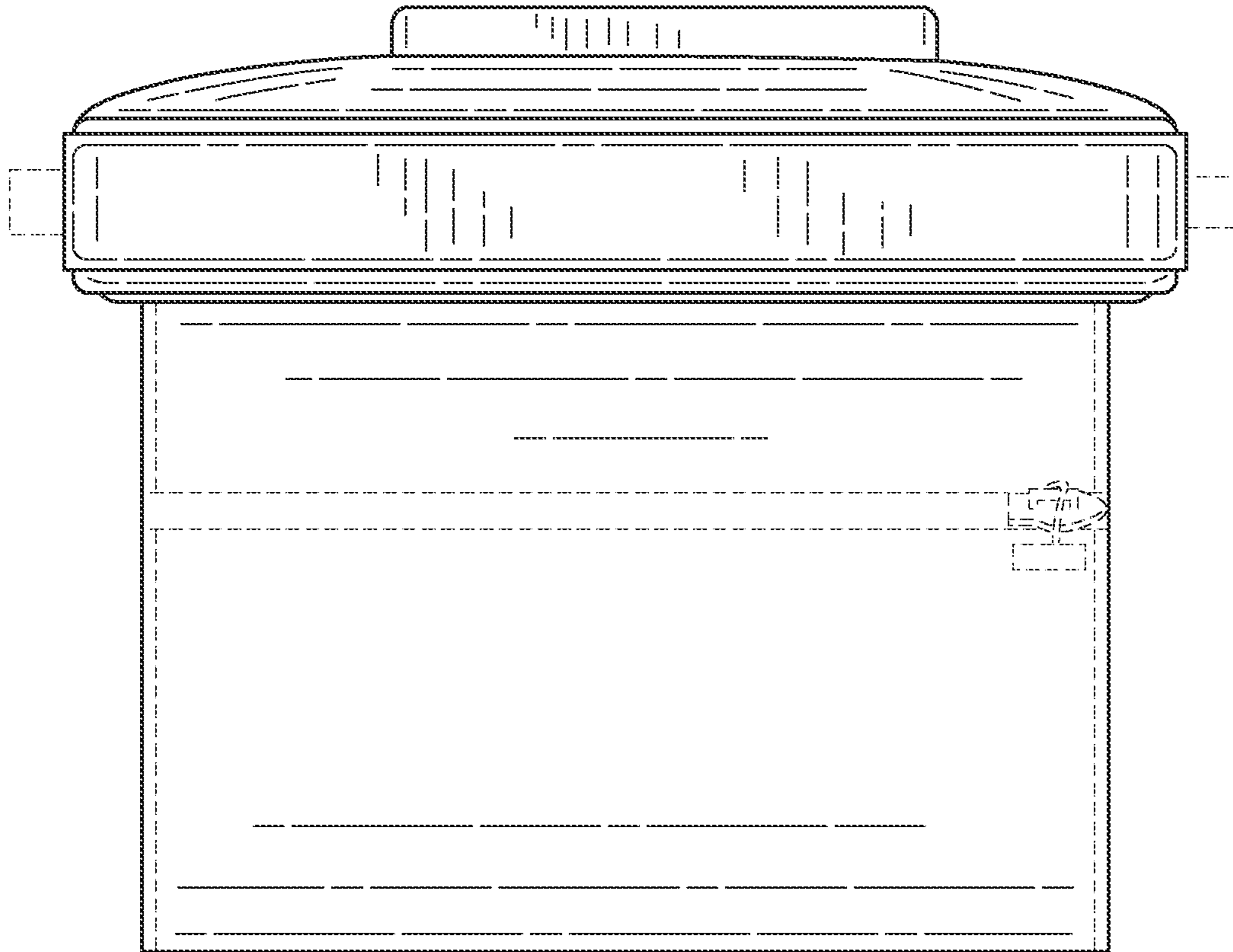


FIG. 7