



US00D922762S

(12) **United States Design Patent** (10) **Patent No.:** **US D922,762 S**
He (45) **Date of Patent:** **** Jun. 22, 2021**

(54) **OUTDOOR BACKPACK**

(71) Applicant: **Aixia He**, Dengzhou (CN)

(72) Inventor: **Aixia He**, Dengzhou (CN)

(**) Term: **15 Years**

(21) Appl. No.: **29/761,371**

(22) Filed: **Dec. 9, 2020**

(51) **LOC (13) Cl.** **03-01**

(52) **U.S. Cl.**
USPC **D3/217**

(58) **Field of Classification Search**
USPC D3/216, 217, 260, 214; D30/109
CPC A45F 3/04; A45F 2003/003; A45F 4/02;
A45F 5/021; Y10S 224/92; Y10S 16/40;
Y10S 224/922; Y10S 383/907; A01K
97/06; A45C 11/20; A45C 5/06; A45C
11/02; A45C 13/02; A45C 13/08; A45C
3/00; A45C 7/0063

See application file for complete search history.

(56) **References Cited**

U.S. PATENT DOCUMENTS

D713,139 S *	9/2014	Ford	D3/217
D819,328 S *	6/2018	Muhlenkamp, IV	D3/217
D829,435 S	10/2018	Viger et al.		
D836,326 S *	12/2018	Skaff	D3/217
D851,392 S *	6/2019	Kao	D3/217
D859,819 S	9/2019	Mather		
D861,329 S *	10/2019	Wei	D3/217
D868,455 S *	12/2019	Skaff	D3/217
D890,517 S	7/2020	Smith		
D904,756 S *	12/2020	Lu	D3/217

2006/0289586 A1 *	12/2006	Gregory	A45F 3/04 224/627
2011/0309124 A1 *	12/2011	Dubois	A45F 3/04 224/628
2012/0018479 A1 *	1/2012	Thibadeau, Jr.	A45F 3/047 224/637
2013/0043292 A1 *	2/2013	White	A45F 3/047 224/607
2014/0069978 A1 *	3/2014	Callison	A63C 11/025 224/628

* cited by examiner

Primary Examiner — Jennifer L Watkins

(57) **CLAIM**

The ornamental design for an outdoor backpack, as shown and described.

DESCRIPTION

FIG. 1 is a perspective view of an outdoor backpack showing my new design; FIG. 2 is another perspective view thereof; FIG. 3 is a front elevational view thereof; FIG. 4 is a rear elevational view thereof; FIG. 5 is a left side elevational view thereof; FIG. 6 is a right side elevational view thereof; FIG. 7 is a top plan view thereof; FIG. 8 is a bottom plan view thereof; and, FIG. 9 is an enlarged view of portion 9 shown in FIG. 1. The broken lines in the drawings depict portions of the outdoor backpack that form no part of the claimed design. The unevenly dashed broken lines in FIGS. 1 and 9 depict the cut line of the enlarged section and form no part of the claim design.

1 Claim, 9 Drawing Sheets

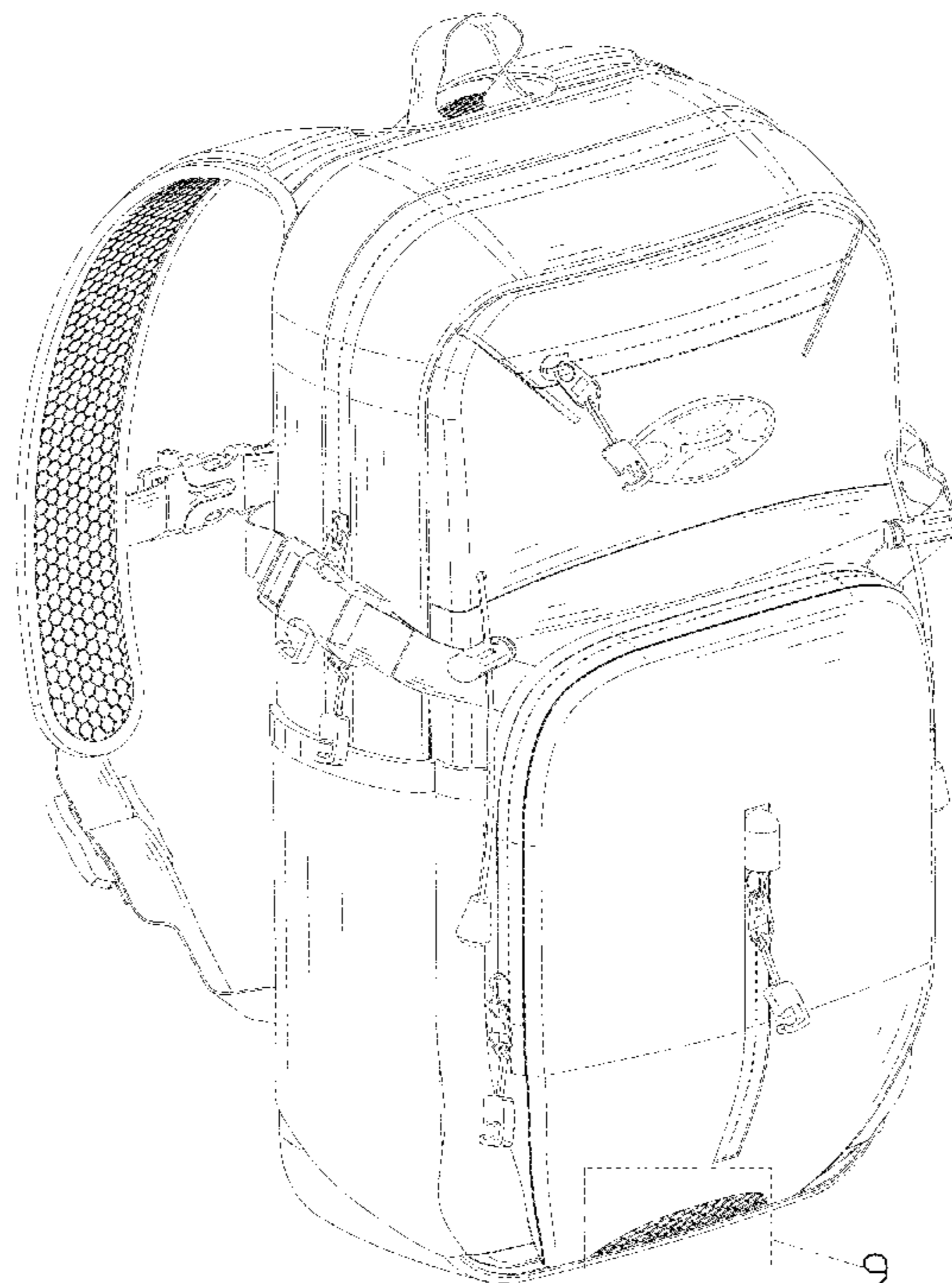




FIG. 1

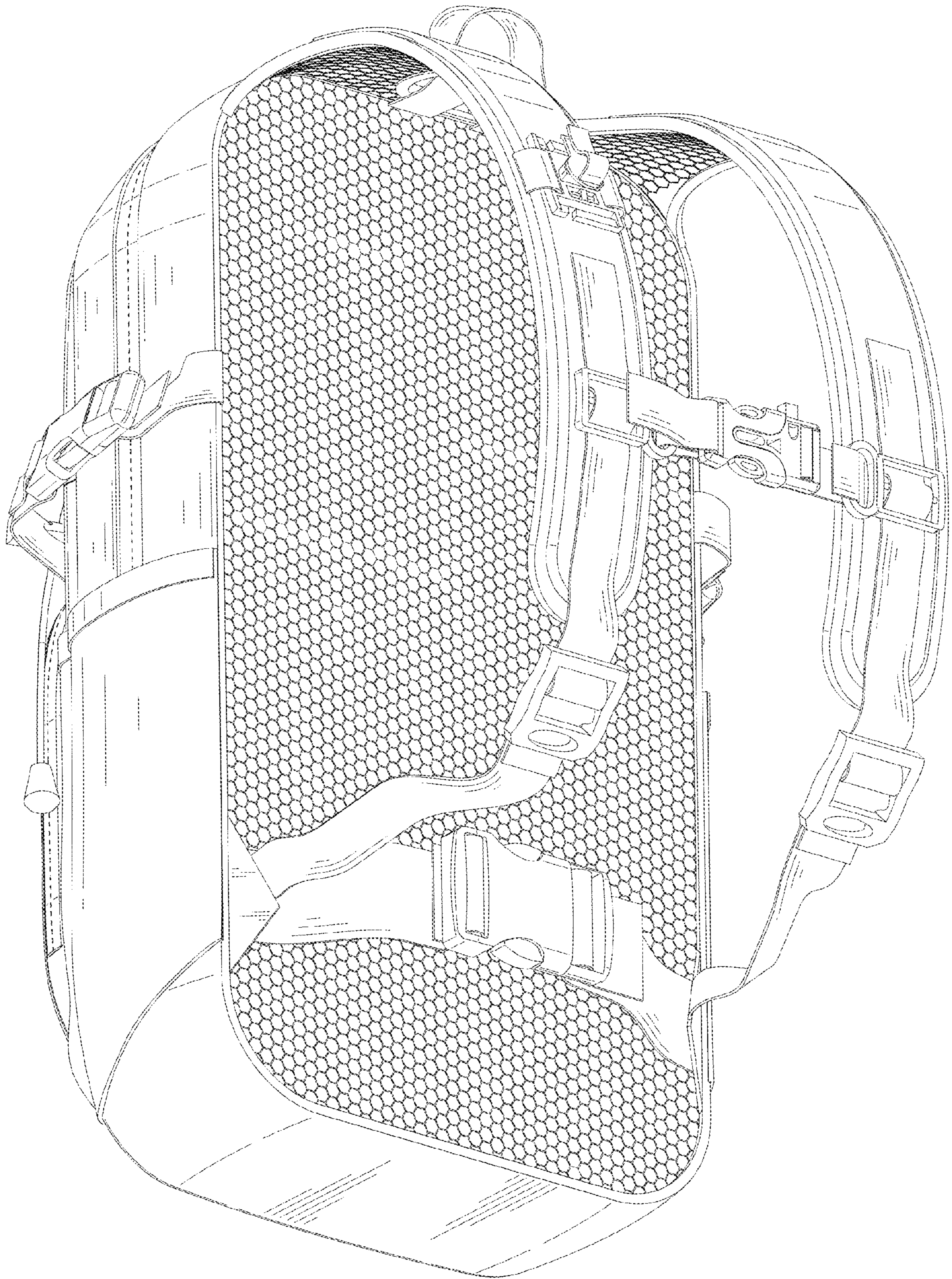


FIG. 2

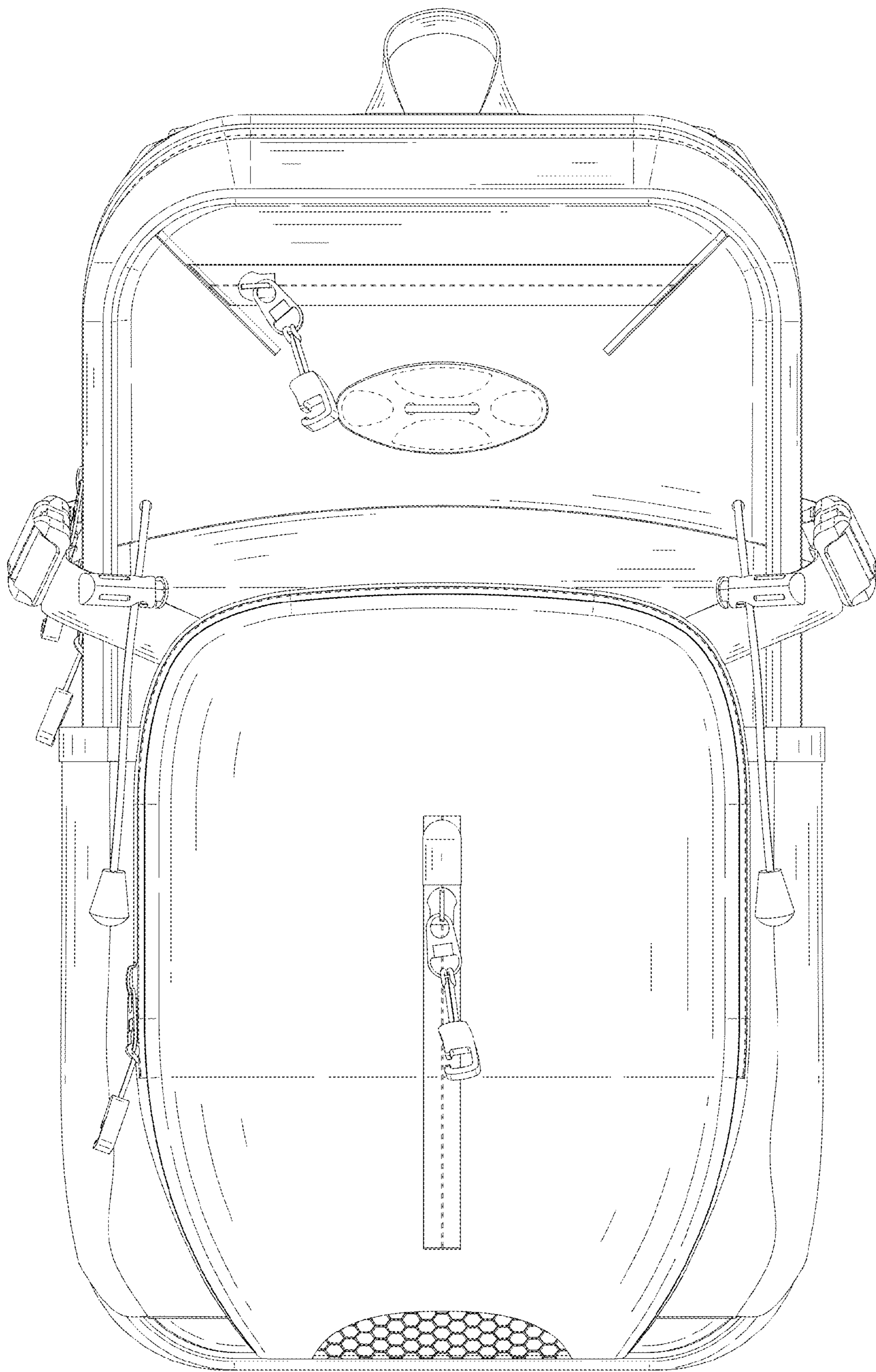


FIG. 3

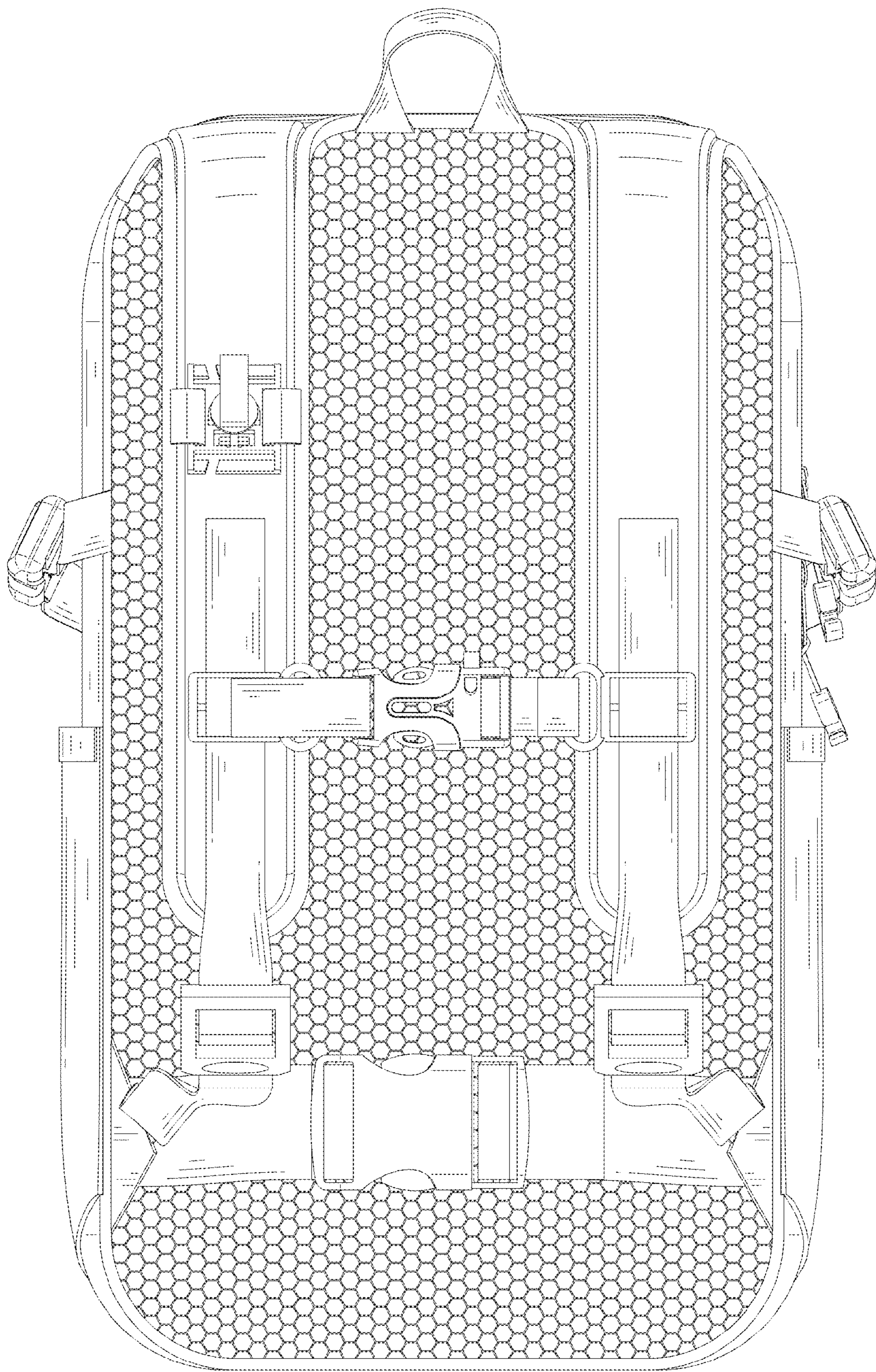


FIG. 4

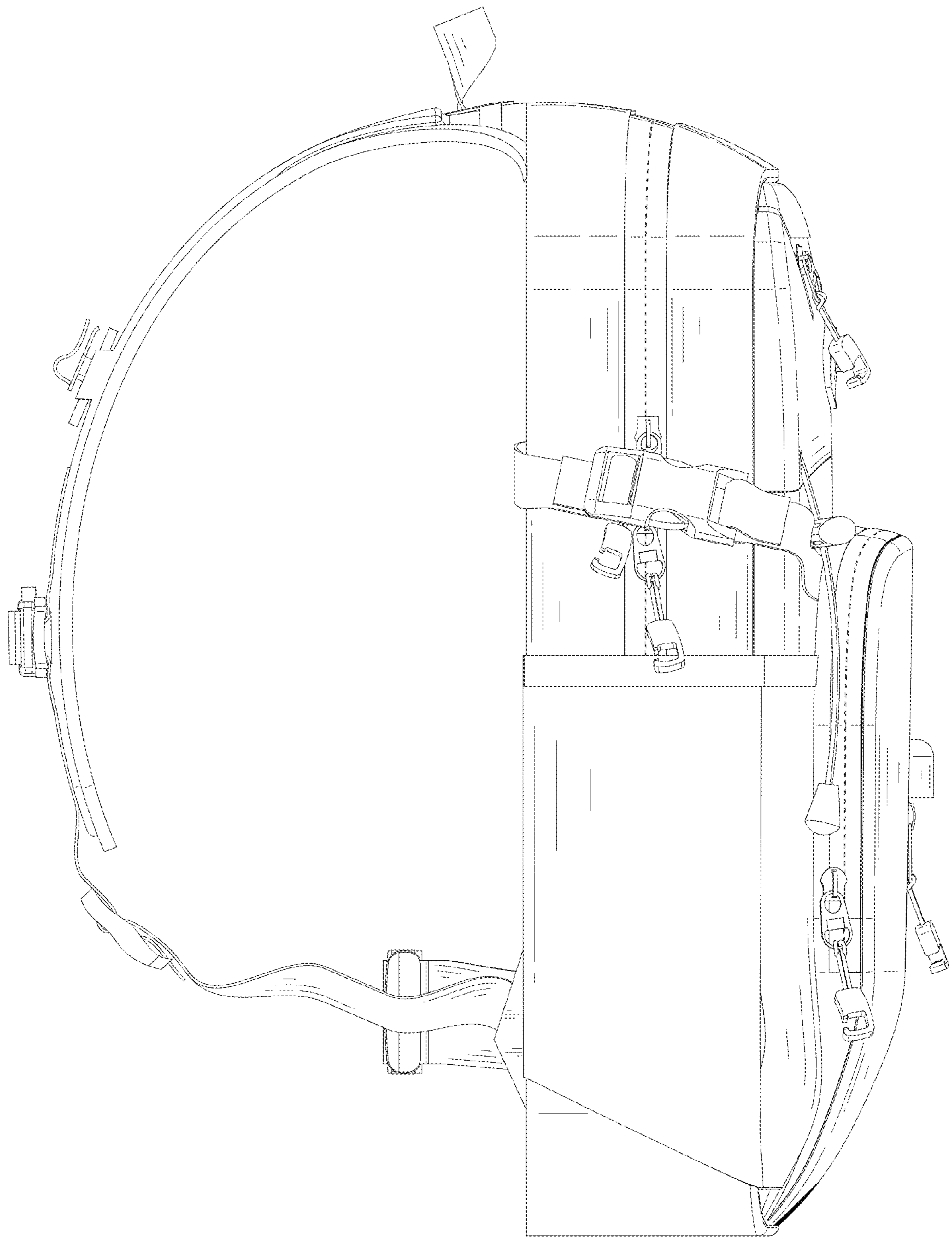


FIG. 5

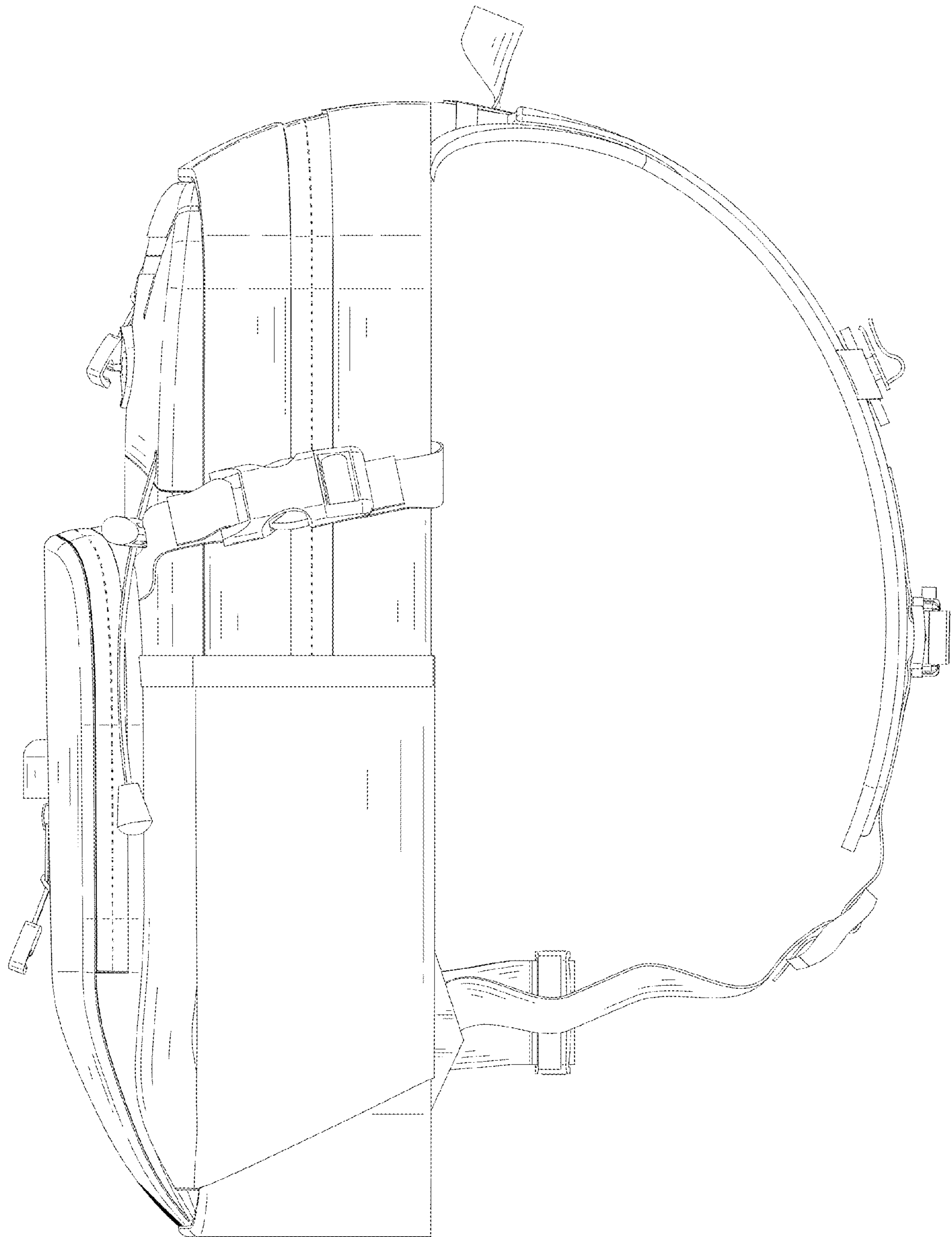


FIG. 6

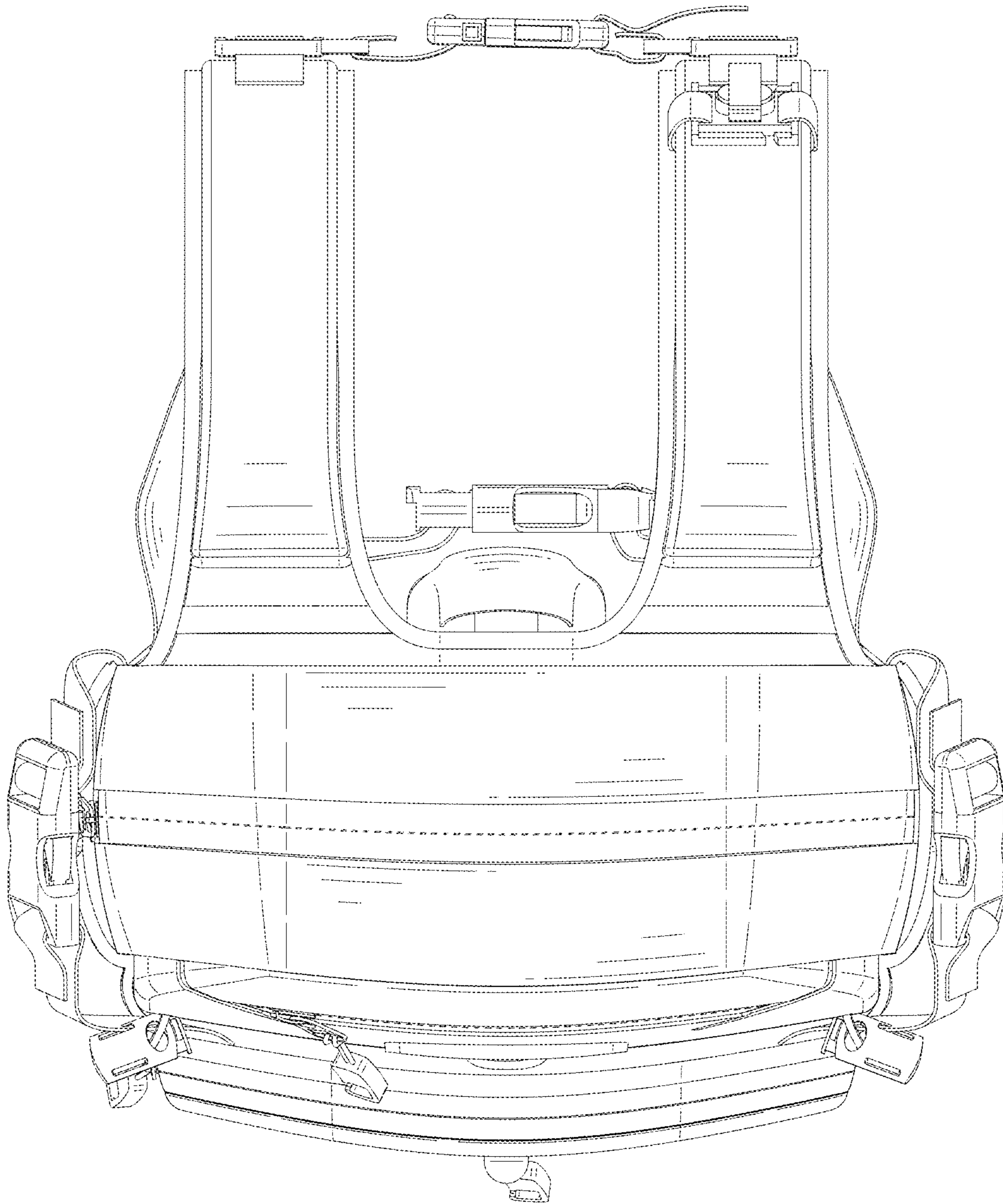


FIG. 7

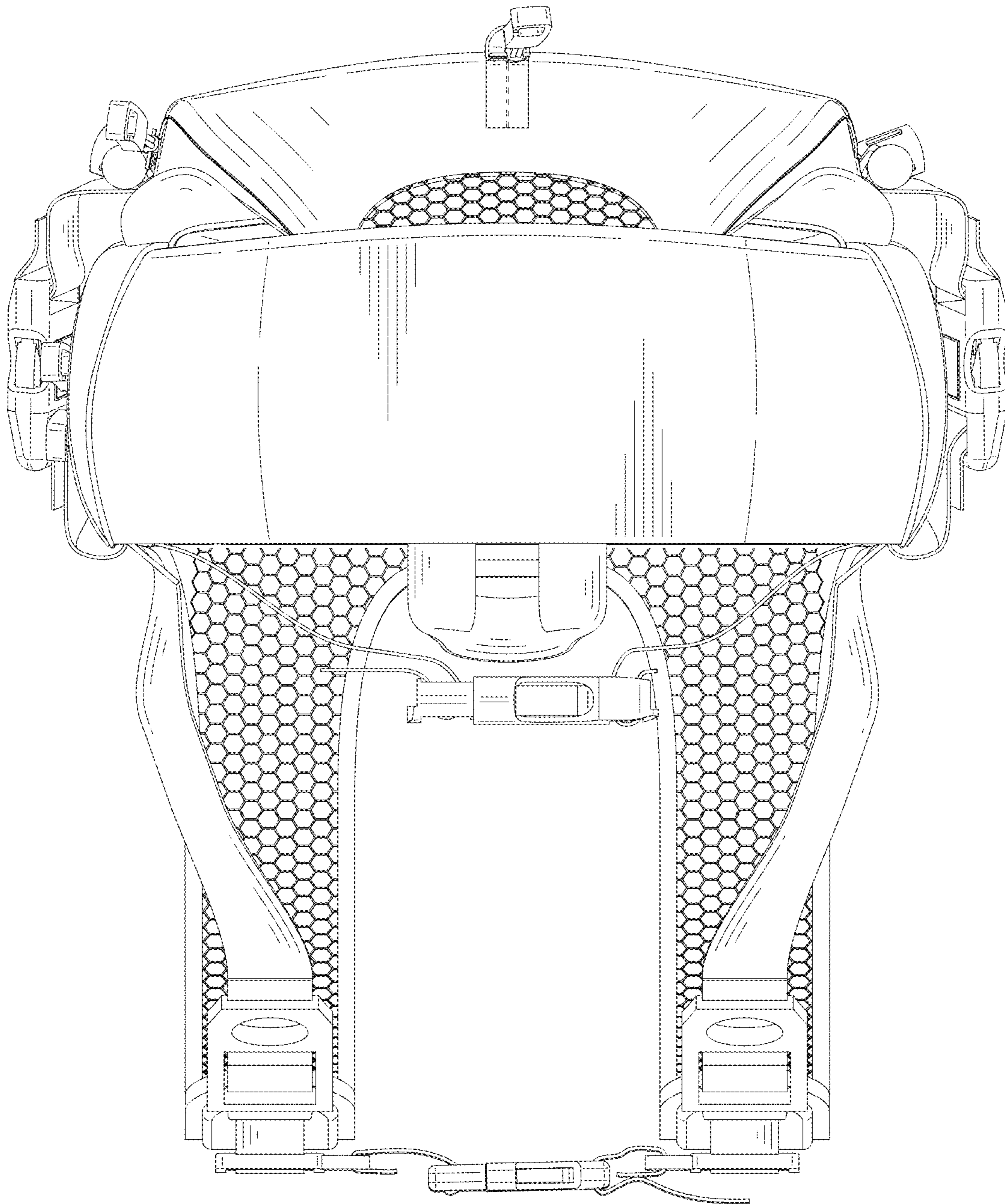


FIG. 8

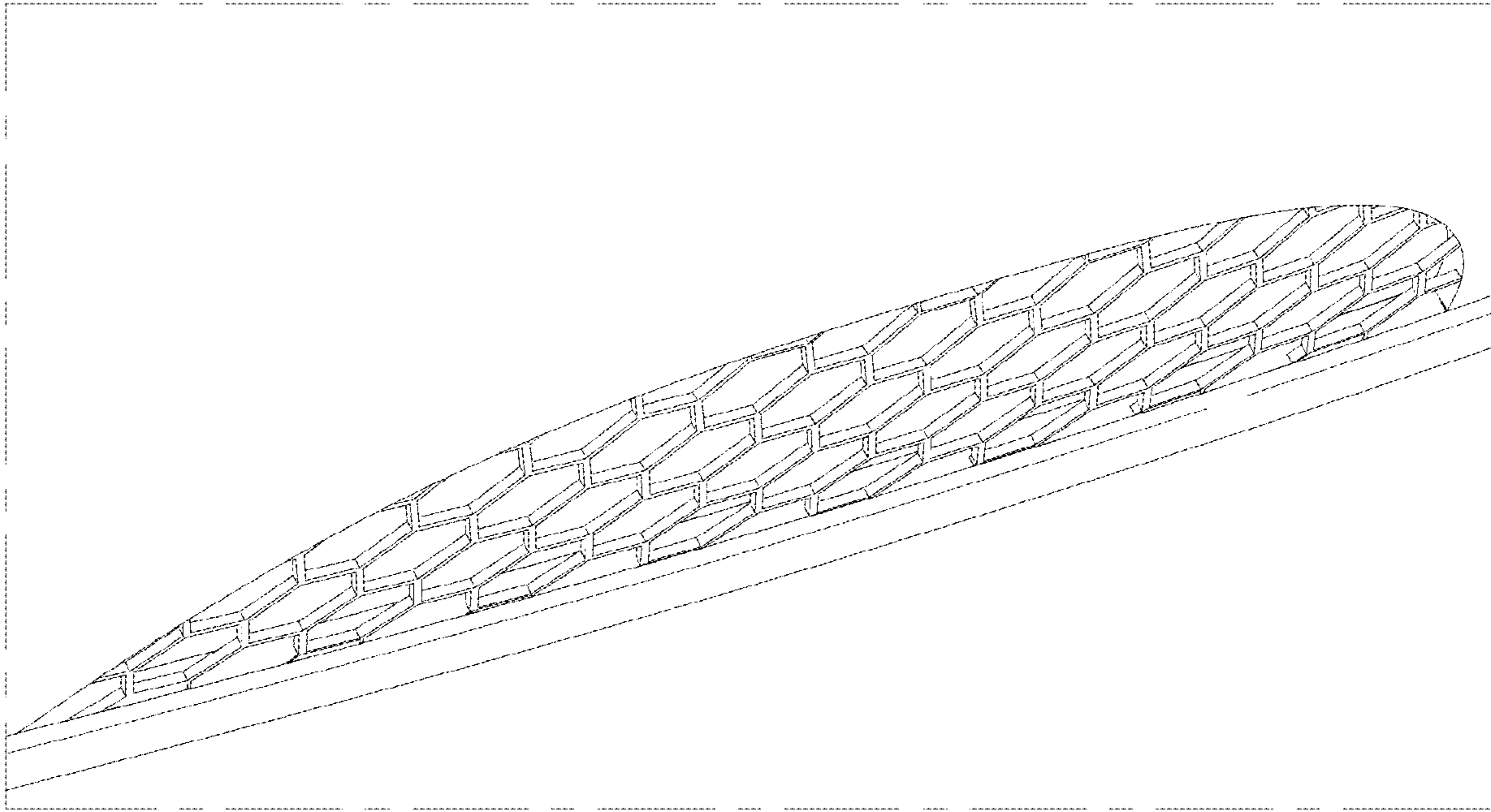


FIG. 9