



US00D922759S

(12) **United States Design Patent**  
**Valletta**

(10) **Patent No.:** **US D922,759 S**

(45) **Date of Patent:** **\*\* \*Jun. 22, 2021**

(54) **CONTAINER FOR HOUSING  
FIRE-STARTING MATERIALS**

(71) Applicant: **Albert J. Valletta**, Morrisville, NC  
(US)

(72) Inventor: **Albert J. Valletta**, Morrisville, NC  
(US)

(\*) Notice: This patent is subject to a terminal disclaimer.

(\*\*) Term: **15 Years**

(21) Appl. No.: **29/576,650**

(22) Filed: **Sep. 6, 2016**

(51) **LOC (13) Cl.** ..... **03-01**

(52) **U.S. Cl.**  
USPC ..... **D3/201**

(58) **Field of Classification Search**  
USPC ..... D3/201, 207, 208, 215, 226, 228, 229,  
D3/230, 269, 273, 290, 299, 303, 316,  
D3/318; D9/702, 703, 705, 707, 709,  
D9/710

CPC ..... B65D 83/384; F41H 9/10  
See application file for complete search history.

(56) **References Cited**

**U.S. PATENT DOCUMENTS**

D80,074 S *	12/1929	Craft	.....	D11/13
D121,541 S *	7/1940	Lipic, Jr.	.....	206/232
D142,328 S *	8/1945	Sarff	.....	D28/77
D156,228 S *	11/1949	Gaudriot	.....	D3/208
2,976,630 A *	3/1961	Montfort	.....	A44B 15/00 40/503
3,306,266 A *	2/1967	McCunney	.....	A44B 15/005 206/38.1
D262,497 S *	1/1982	Chan	.....	D3/229
D284,421 S *	7/1986	Sihs	.....	D3/229
D337,339 S *	7/1993	An	.....	D11/79

D404,562 S *	1/1999	Brown	.....	D3/215
D409,830 S *	5/1999	Stafford	.....	D3/208
D433,225 S *	11/2000	Deiss	.....	D24/121
D433,562 S *	11/2000	Redlinger	.....	D3/208
D446,006 S *	8/2001	Martin	.....	D3/208
D446,388 S *	8/2001	Rivera	.....	D3/208
D461,103 S *	8/2002	Hsu	.....	D28/65
D532,714 S *	11/2006	Scharr	.....	D11/79
D570,724 S *	6/2008	Kittelsen	.....	D11/80
D571,044 S *	6/2008	Conte	.....	D28/65
D592,909 S *	5/2009	Alviar	.....	D7/510
D602,247 S *	10/2009	Oas	.....	D3/208
D610,871 S *	3/2010	Alviar	.....	D7/510
D627,153 S *	11/2010	Schmidt	.....	D3/207
D646,888 S *	10/2011	Kieswetter	.....	D3/208
D669,679 S *	10/2012	Goldstein	.....	D3/208
D675,953 S *	2/2013	Kapur	.....	D11/81

(Continued)

*Primary Examiner* — Holly E Thurman

(74) *Attorney, Agent, or Firm* — James G. Passé; Passé  
Intellectual Property, LLC

(57) **CLAIM**

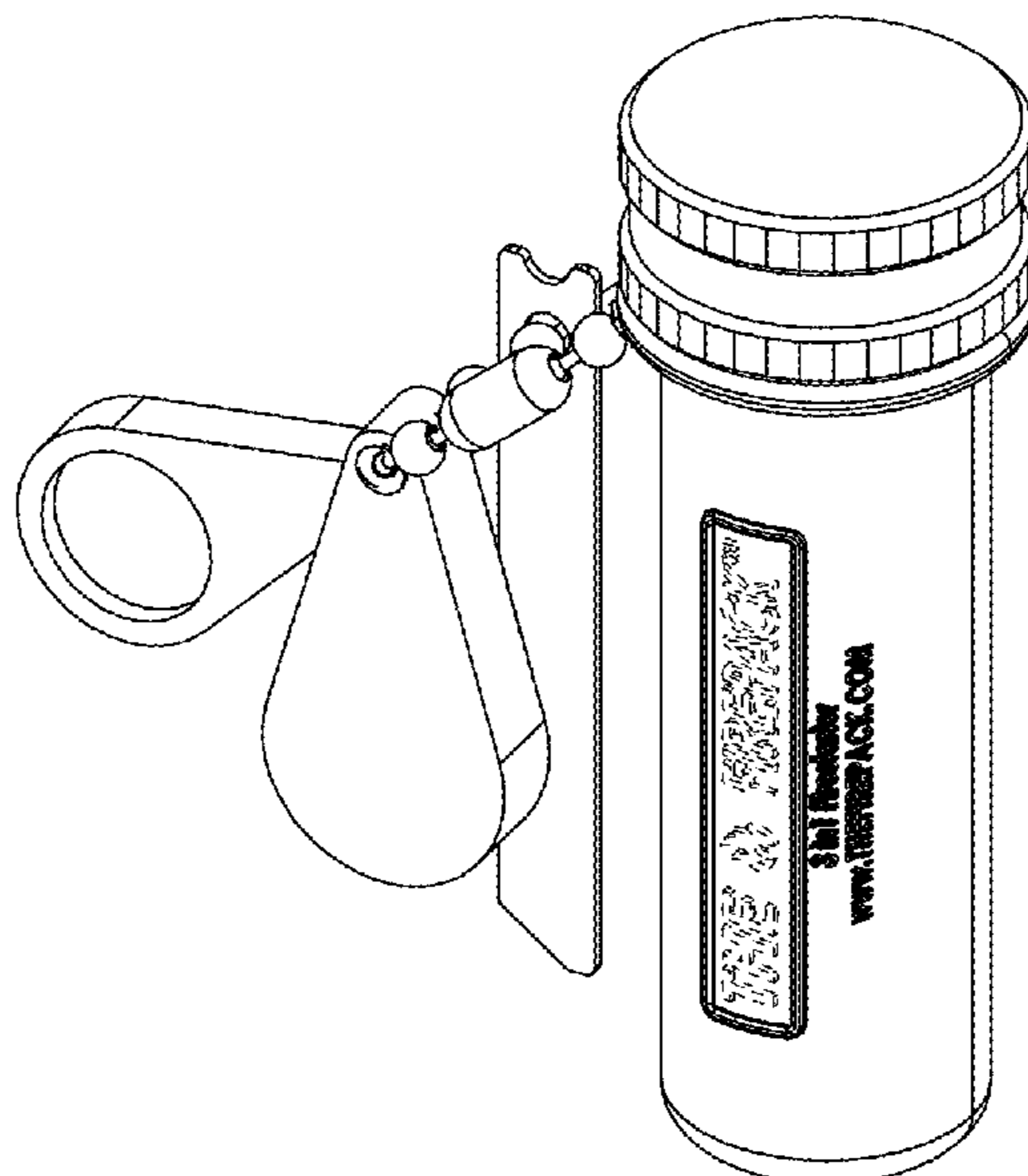
I claim the ornamental design for a container for housing fire-starting materials, as shown and described.

**DESCRIPTION**

FIG. 1 is a front view of the container for housing fire-starting materials;  
FIG. 2 is a left side view thereof;  
FIG. 3 is a back side view thereof;  
FIG. 4 is a right side view thereof;  
FIG. 5 is a top view thereof;  
FIG. 6 is a bottom view thereof;  
FIG. 7 is an isometric view thereof, shown with an attached lid and accessories; and,  
FIG. 8 is a front view thereof.

The broken lines depict portions of the container for housing fire-starting materials that form no part of the claimed design.

**1 Claim, 4 Drawing Sheets**



(56)

**References Cited**

U.S. PATENT DOCUMENTS

D688,015 S \* 8/2013 Wilson ..... D32/35  
9,962,044 B1 \* 5/2018 Ovokaitys ..... A47K 10/38  
D828,595 S \* 9/2018 Lake ..... D26/38

\* cited by examiner

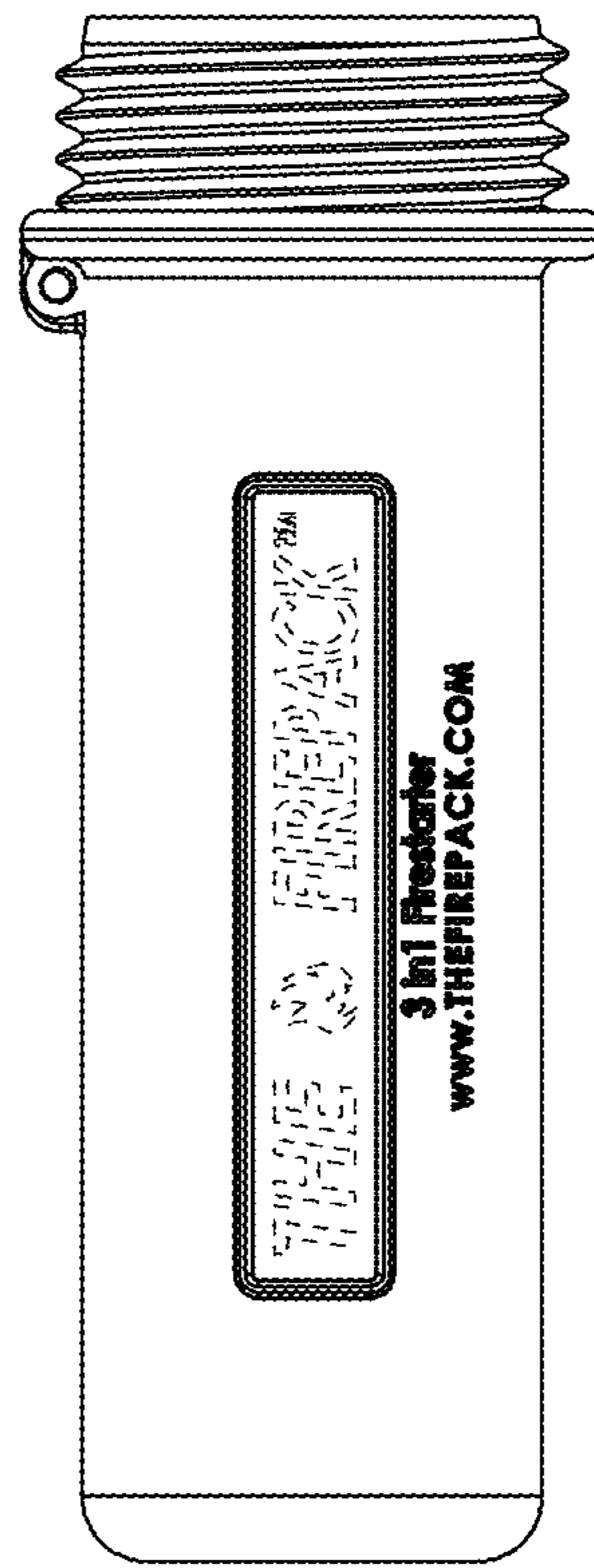


Fig. 1

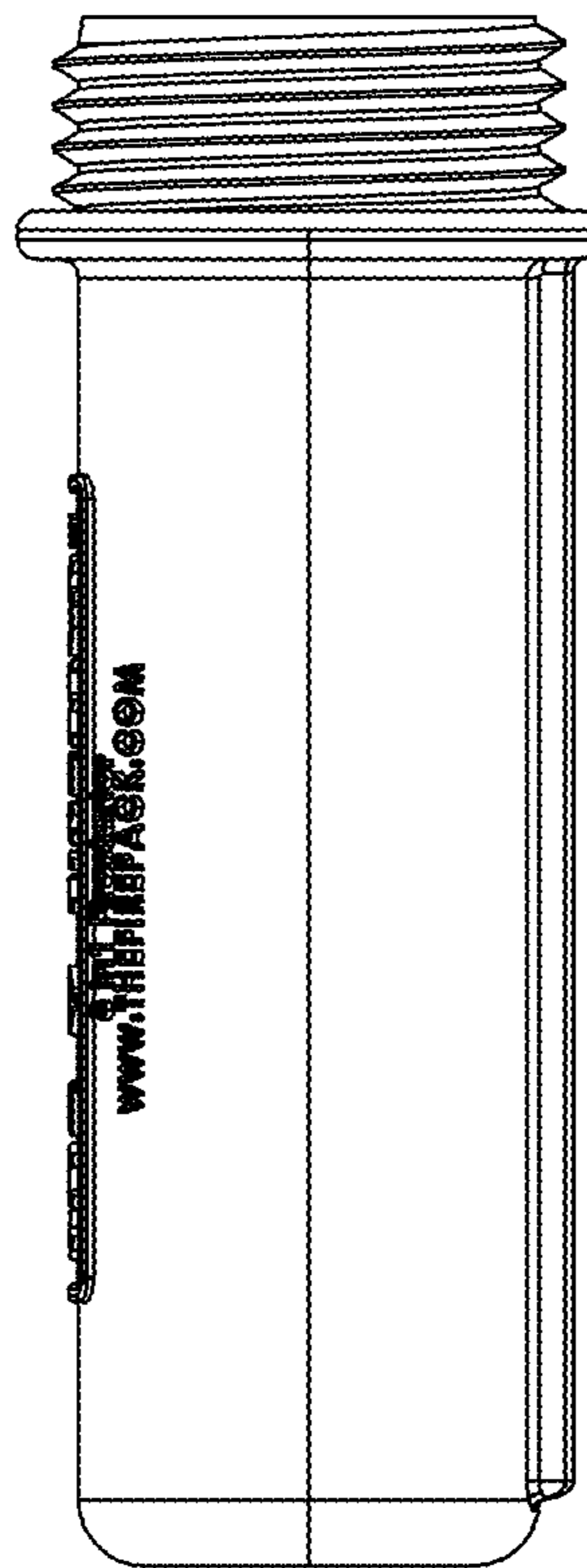


Fig. 2

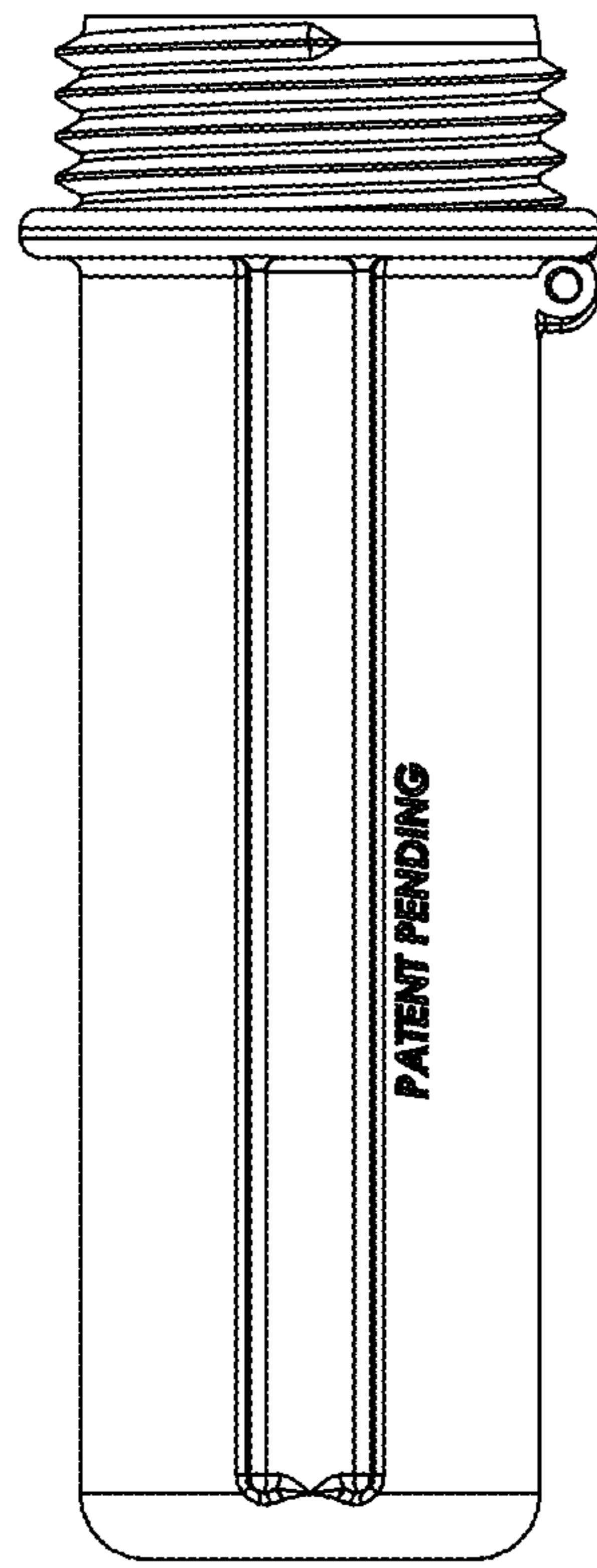


Fig. 3

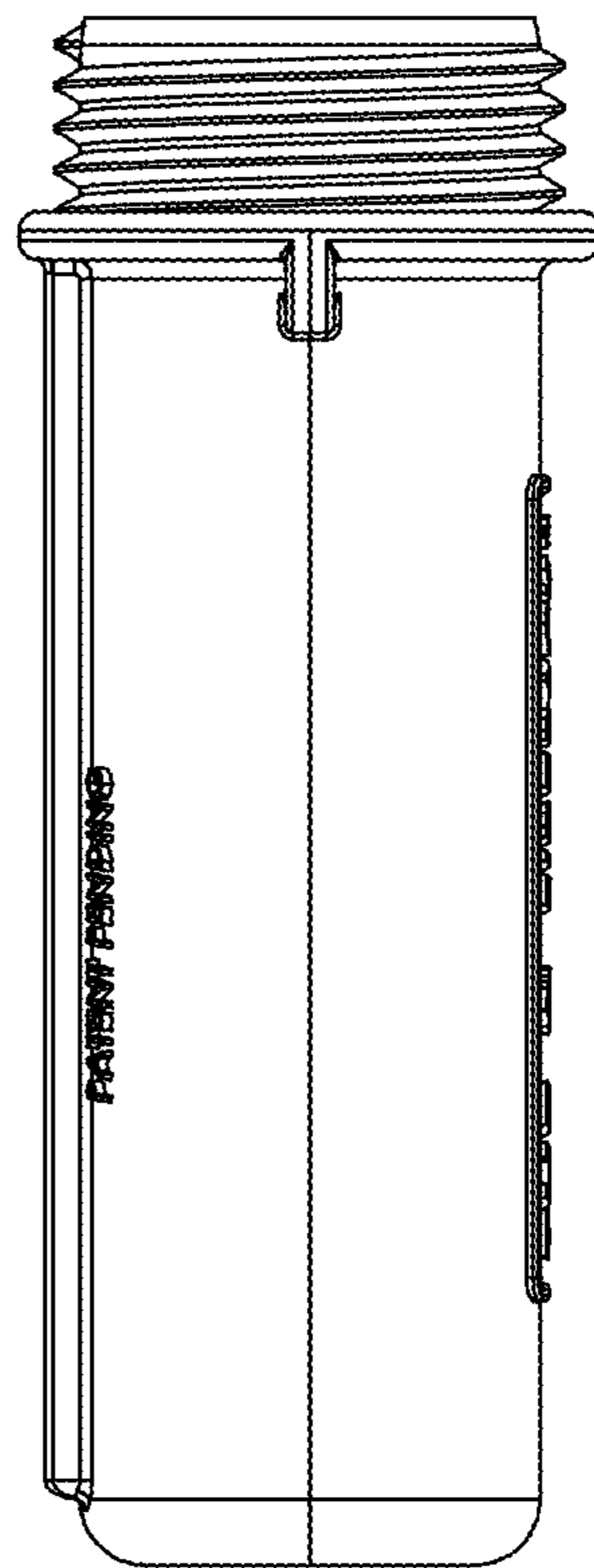


Fig. 4

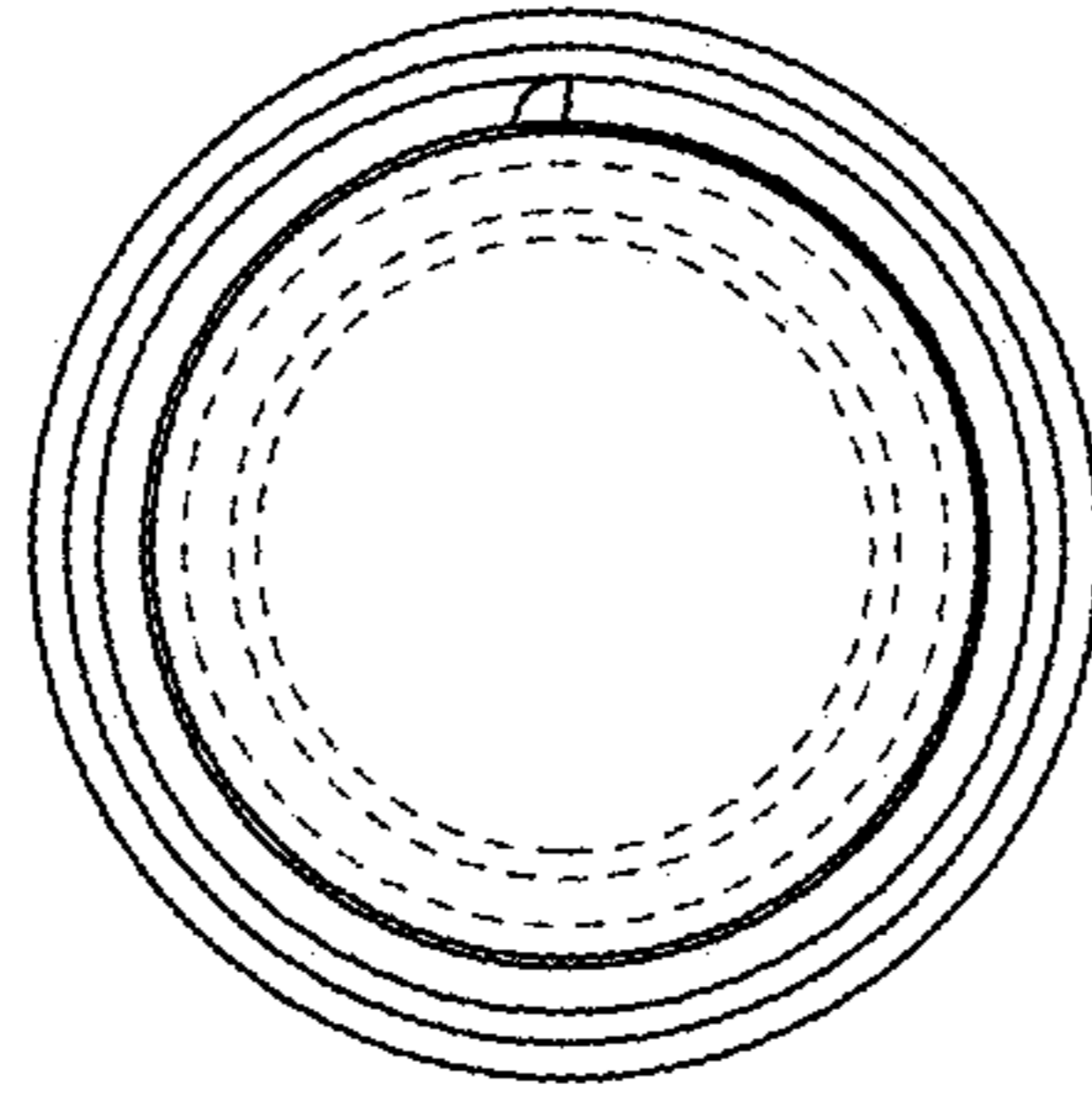


Fig. 5

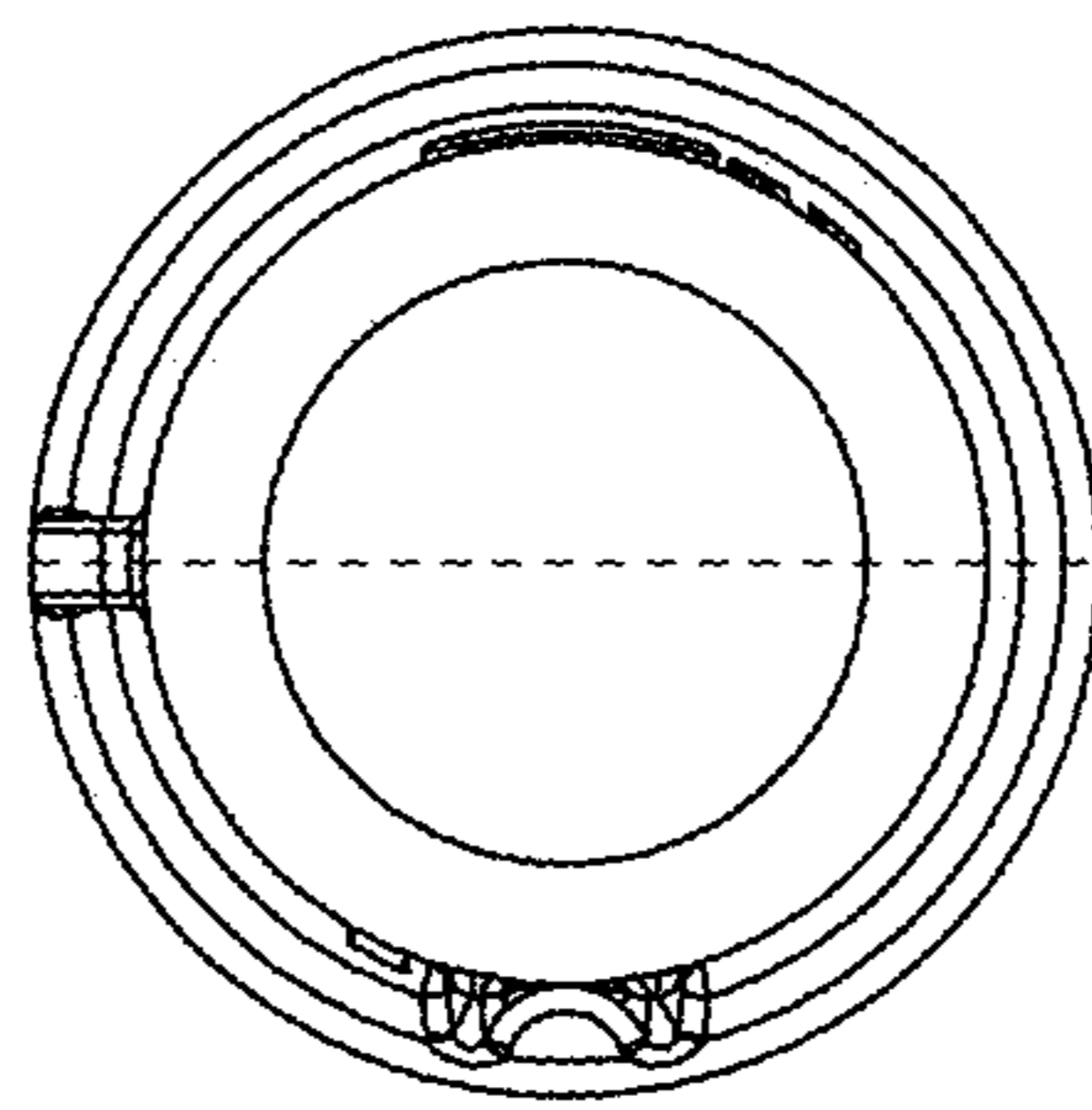


Fig. 6

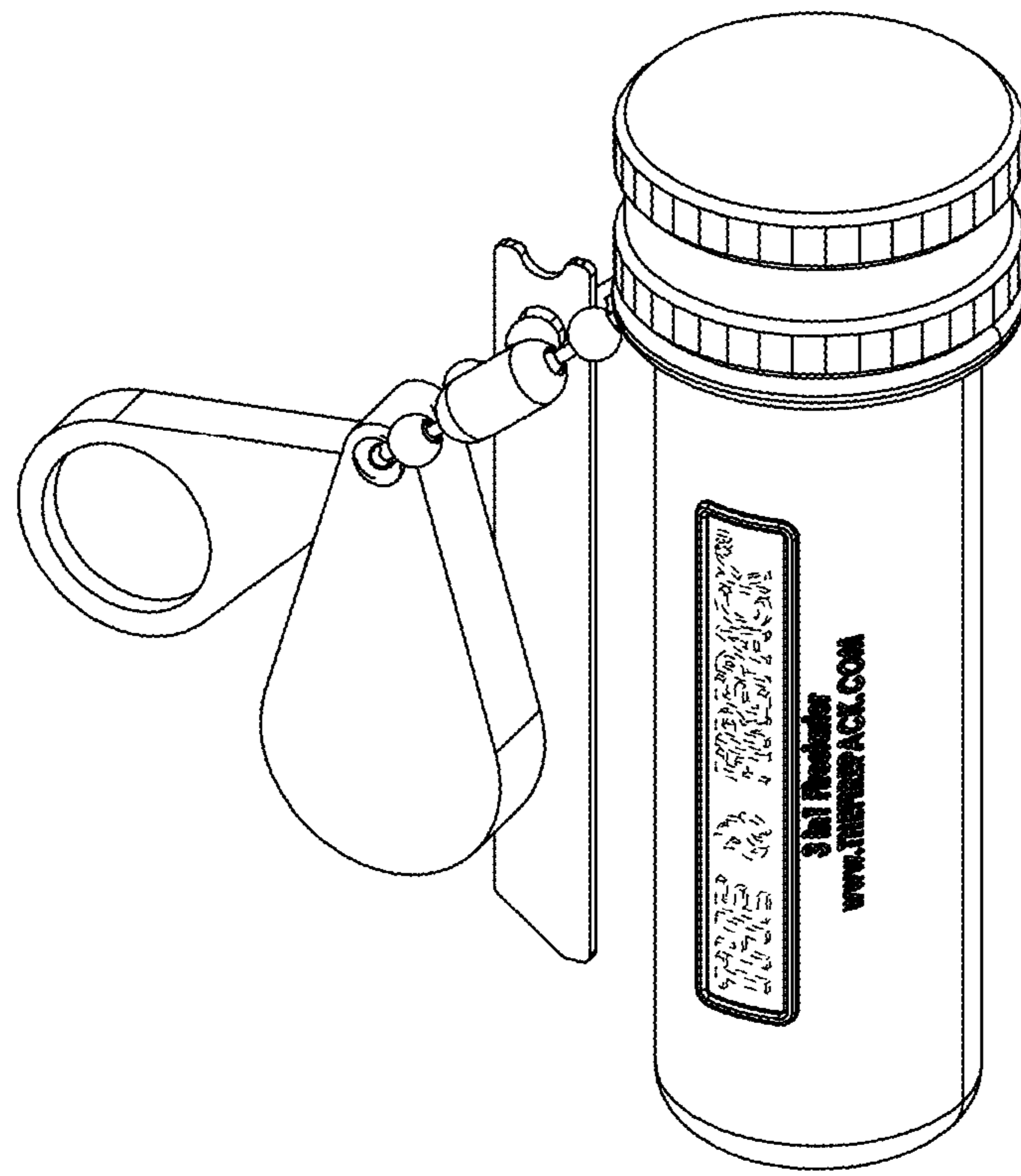


Fig. 7

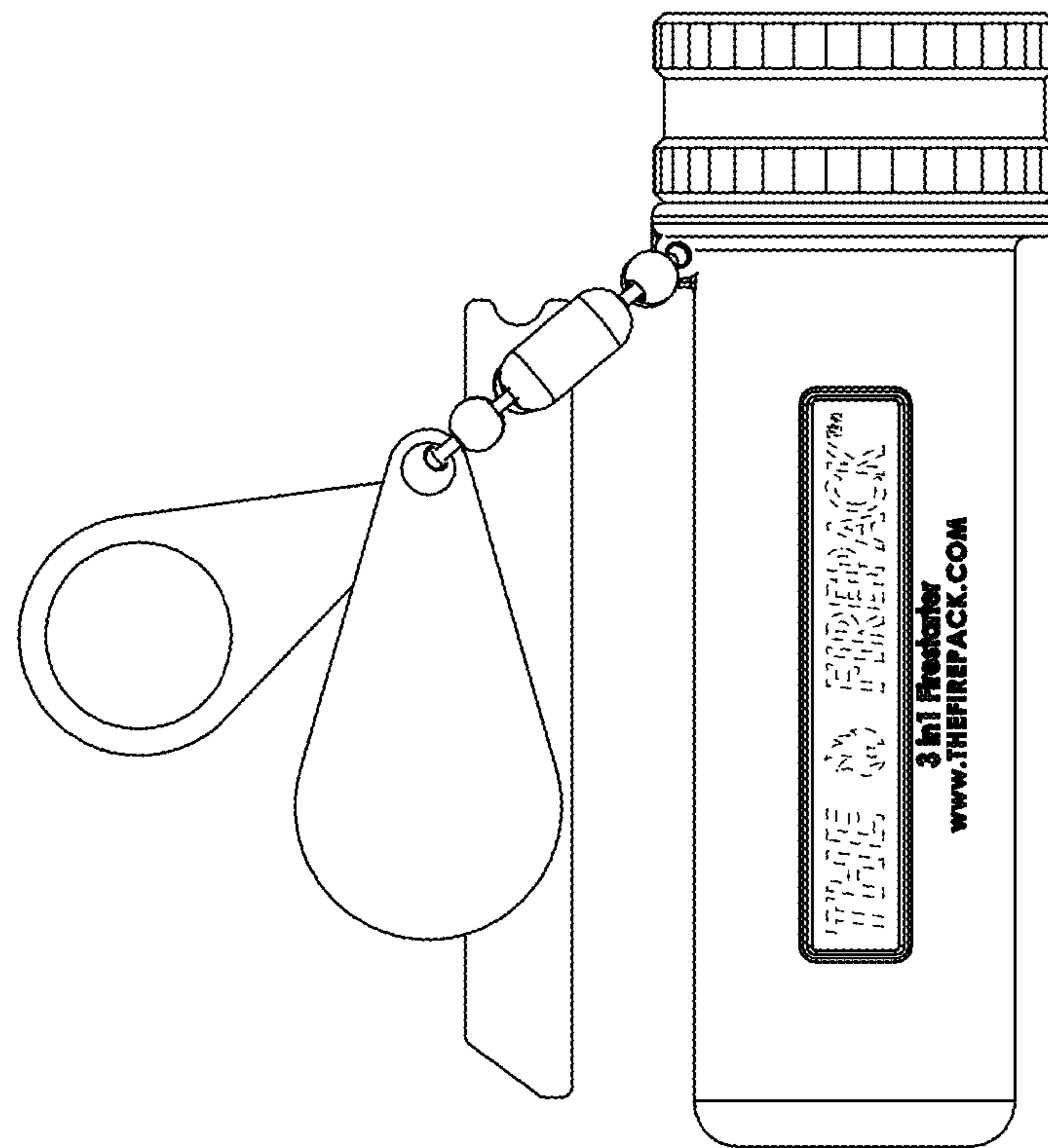


Fig. 8