



US00D922747S

(12) **United States Design Patent**  
**Kwon et al.**

(10) **Patent No.:** **US D922,747 S**

(45) **Date of Patent:** **\*\* Jun. 22, 2021**

(54) **SHOE STUD**

(71) Applicant: **TREKSTA INC.**, Busan (KR)

(72) Inventors: **Dong Chil Kwon**, Busan (KR); **Hyun Chul Kim**, Busan (KR); **Sung Won Park**, Busan (KR)

(\*\*) Term: **15 Years**

(21) Appl. No.: **35/508,570**

(22) Filed: **Mar. 15, 2019**

(80) **Hague Agreement Data**

Int. Filing Date: **Mar. 15, 2019**

Int. Reg. No.: **DM/205671**

Int. Reg. Date: **Mar. 15, 2019**

Int. Reg. Pub. Date: **Feb. 14, 2020**

(51) **LOC (13) Cl.** ..... **02-04**

(52) **U.S. Cl.**

USPC ..... **D2/962**

(58) **Field of Classification Search**

USPC ..... D2/962, 963, 978

CPC ... A43C 15/161; A43C 15/165; A43C 15/167;

A43C 15/02; A43C 15/16; A43C 13/04;

A43B 5/02; A43B 21/52; A43B 7/16;

A43B 13/26; A43B 5/001; A43B 5/06;

Y10S 411/915

See application file for complete search history.

(56) **References Cited**

U.S. PATENT DOCUMENTS

D59,308 S \* 10/1921 Viall ..... D2/962

D316,926 S \* 5/1991 St. John ..... 36/134

D375,831 S *	11/1996	Perry	.....	D2/946
D421,677 S *	3/2000	Silagy	.....	24/713.6
D433,550 S *	11/2000	Collier	.....	D32/47
D695,507 S *	12/2013	Hillis	.....	D2/962
D801,021 S *	10/2017	Greenspan	.....	D2/962
D831,320 S *	10/2018	Savio	.....	D2/962
D843,099 S *	3/2019	Bunch	.....	D2/962
D879,443 S *	3/2020	Fridgen	.....	D2/962
2002/0152644 A1 *	10/2002	Hokkirigawa	.....	A43C 15/16
				36/134
2012/0260534 A1 *	10/2012	Guer	.....	A43B 5/02
				36/134

\* cited by examiner

*Primary Examiner* — Jennifer L Watkins

(57) **CLAIM**

The ornamental design for a shoe stud, as shown and described.

**DESCRIPTION**

1. Shoe stud

1.1 : Perspective

1.2 : Front

1.3 : Back

1.4 : Top

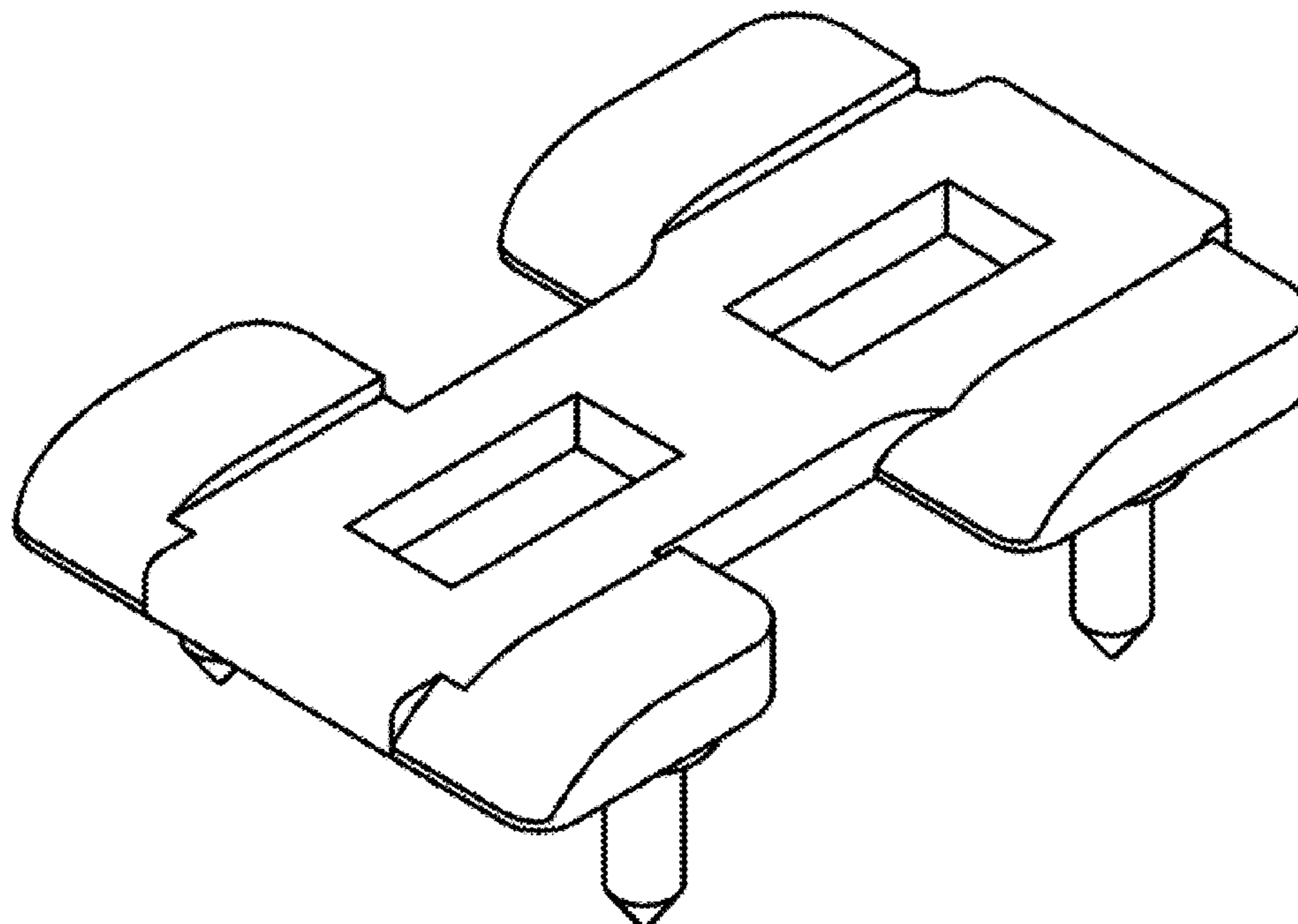
1.5 : Bottom

1.6 : Left

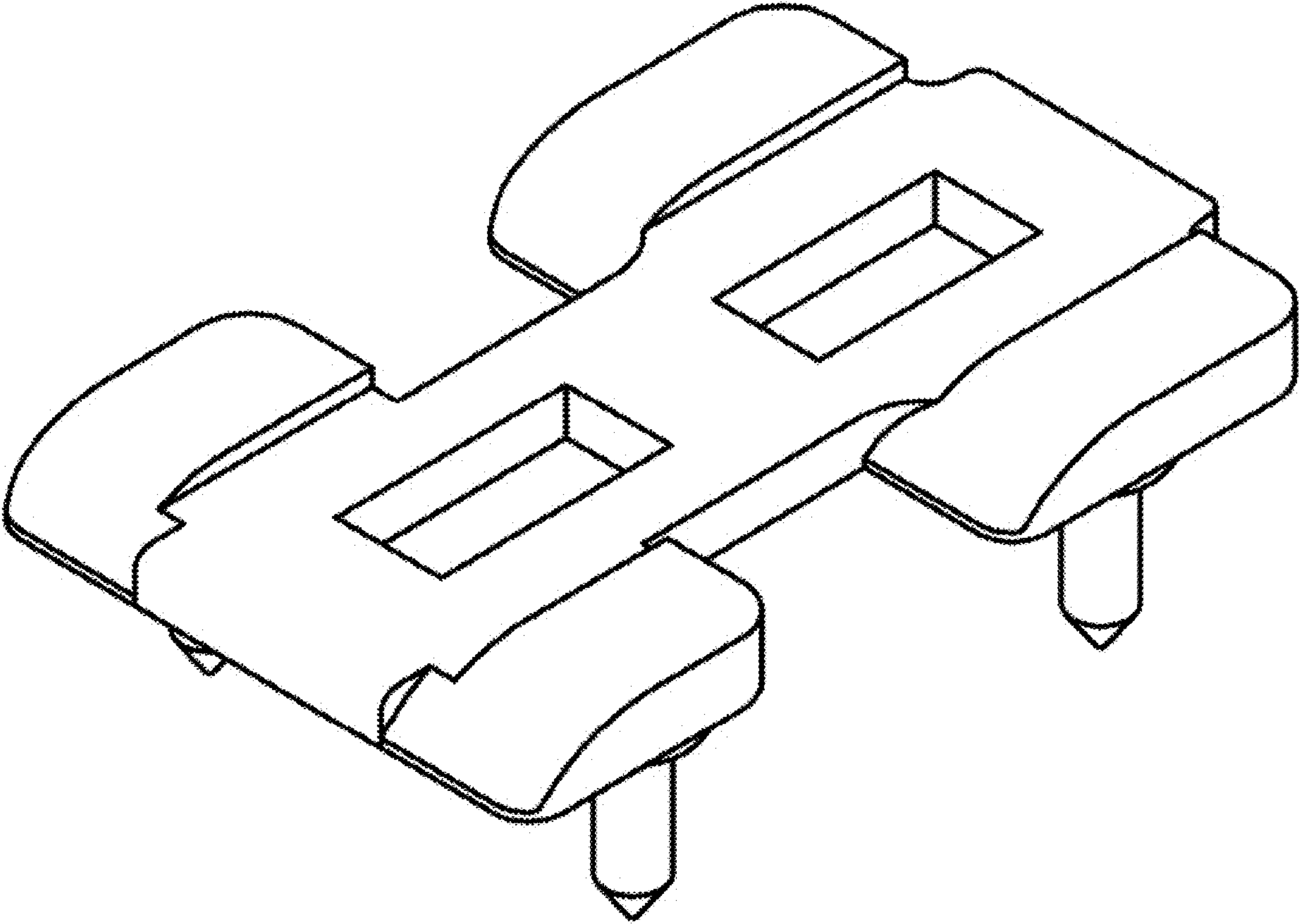
1.7 : Right

1. Spike pins are provided on the lower surface of the slope part.

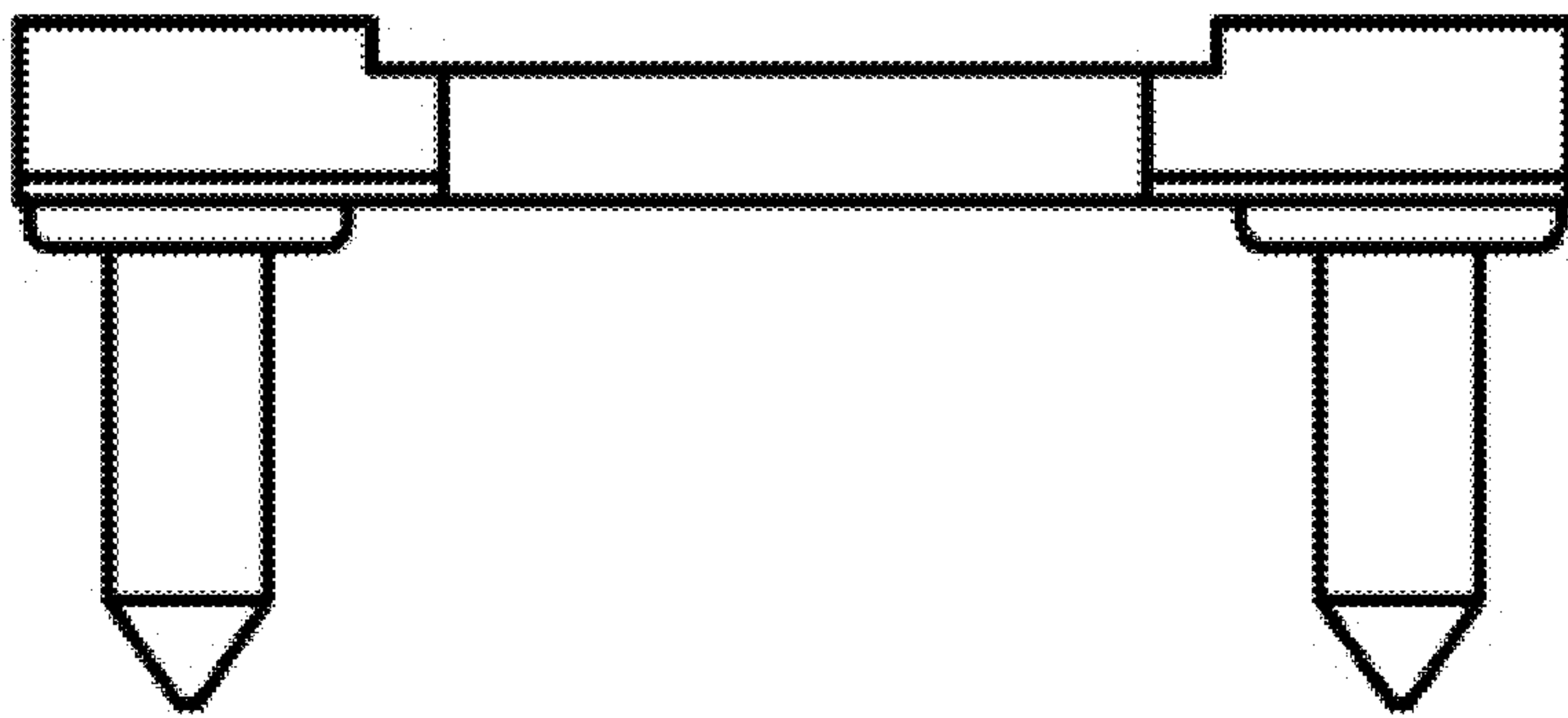
**1 Claim, 7 Drawing Sheets**



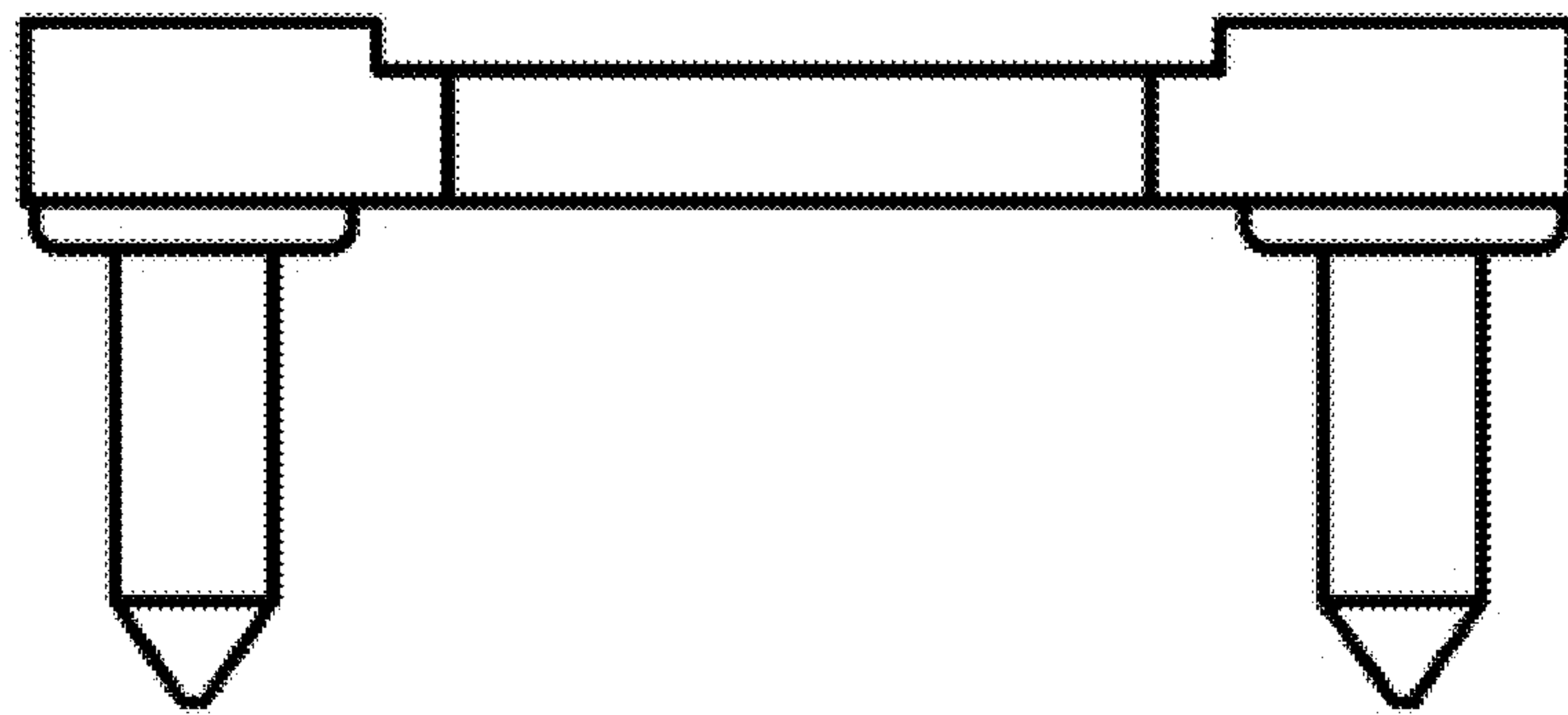
1.1



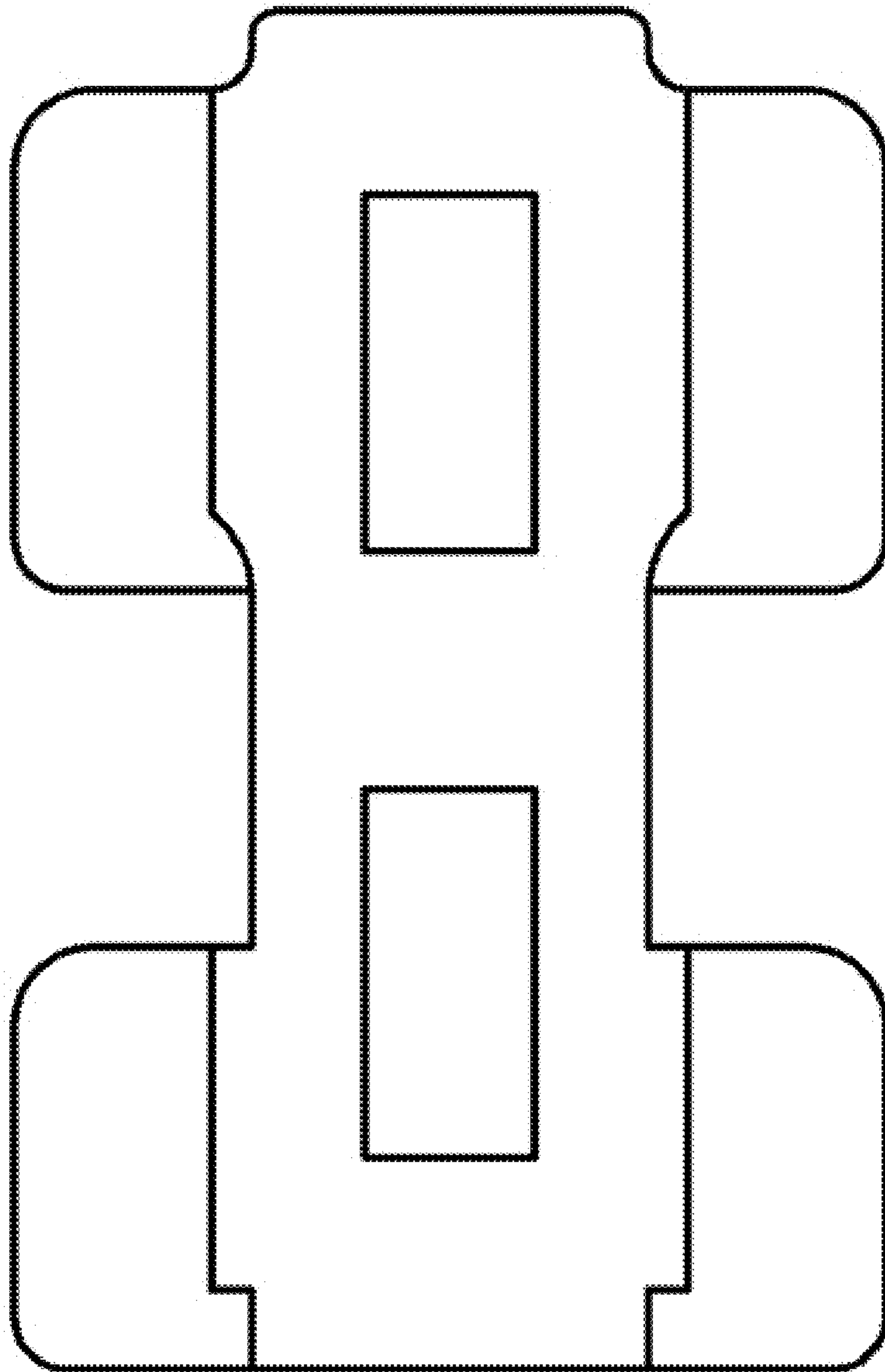
1.2



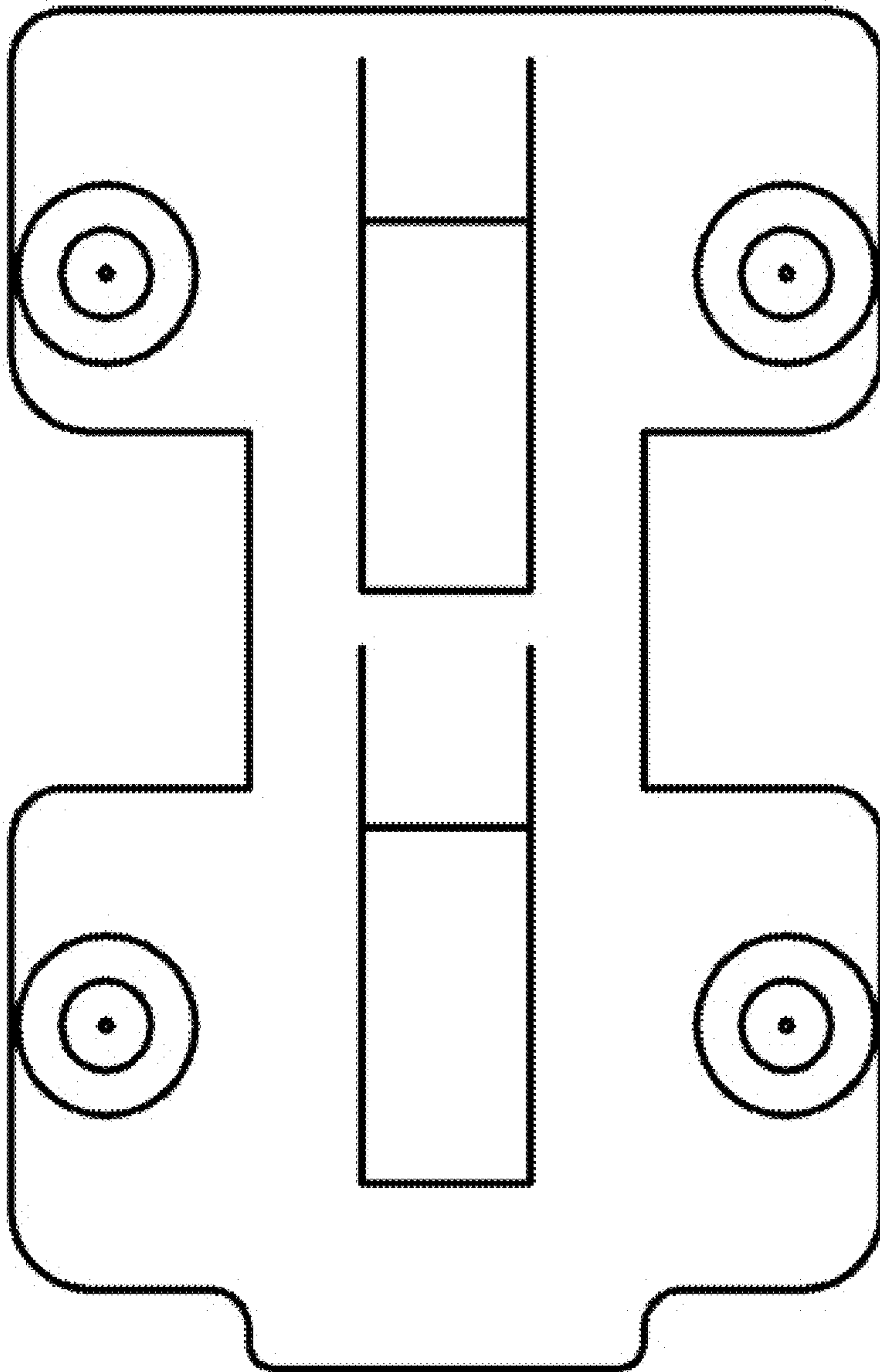
1.3



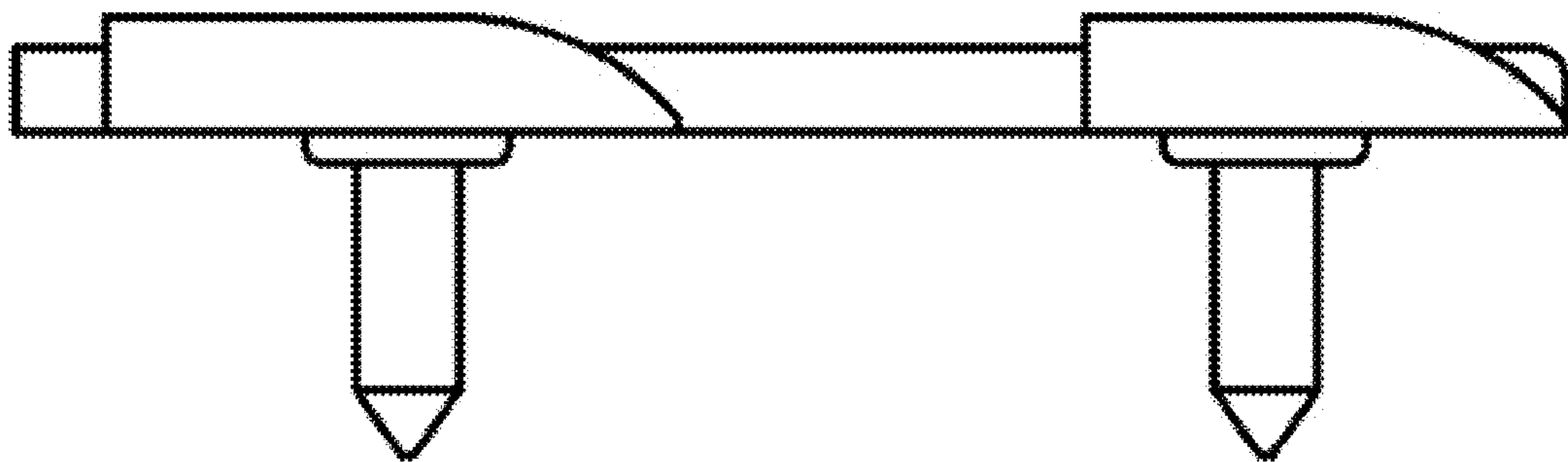
1.4



1.5



1.6



1.7

