



US00D922725S

(12) **United States Design Patent** (10) **Patent No.:** **US D922,725 S**  
**da Silva Girão** (45) **Date of Patent:** **\*\* Jun. 15, 2021**

(54) **AUTOMATED TELLER MACHINE**

(56) **References Cited**

(71) Applicant: **A-to-Be Mobility Technology S.A.**,  
São Domingos de Rana (PT)

(72) Inventor: **Tiago Querido da Silva Girão**, São  
Domingos de Rana (PT)

(73) Assignee: **A-to-Be Mobility Technology S.A.**,  
São Domingos de Rana (PT)

(\*\*) Term: **15 Years**

(21) Appl. No.: **29/706,919**

(22) Filed: **Sep. 25, 2019**

(30) **Foreign Application Priority Data**

Apr. 17, 2019 (EP) ..... 06380002-0003

(51) **LOC (13) Cl.** ..... **99-00**

(52) **U.S. Cl.**  
USPC ..... **D99/28**

(58) **Field of Classification Search**  
USPC ..... D99/28, 34, 35, 36, 43, 99;  
D14/300-302, 305, 307, 900-902;  
D18/3.1-3.3, 4.1-4.6, 12.1-12.3;  
D21/324, 325, 329, 369; 101/66;  
109/1 R, 1 V, 2, 23, 24.1, 25, 58, 58.5,  
109/66; 446/8-13; 705/16, 17, 18, 42,  
705/43, 44, 45; 235/51, 379, 380, 381,  
235/382, 382.5, 386; 206/0.8, 0.81,  
206/0.815, 0.82, 0.84

CPC .. G06Q 20/10; G06Q 20/108; G06Q 20/1085;  
G06Q 20/18; G07D 1/00; G07D 1/02;  
G07D 1/04; G07D 1/06; G07D 11/00;  
G07D 9/002; G07D 9/04; G07F 19/20;  
G07F 19/201; G07F 19/202; G07F  
19/203; G07F 19/204; G07F 19/105;  
G07F 19/21; G07F 19/00; G07F 7/04;  
G07F 5/00; G07F 1/00; E05G 7/001;  
E05G 1/006; A63H 3/00; A63H 3/005

See application file for complete search history.

U.S. PATENT DOCUMENTS

D238,429	S	*	1/1976	Herman	.....	D99/28
D296,028	S	*	5/1988	Foster	.....	D25/1
4,754,126	A	*	6/1988	Caldwell	.....	G07D 11/0096 235/379
D303,448	S	*	9/1989	Noda	.....	D99/28
D304,642	S	*	11/1989	Kakiuchi	.....	D99/28
D319,135	S	*	8/1991	Feger	.....	D99/28
D332,165	S	*	12/1992	Fukutake	.....	D99/28
D360,734	S	*	7/1995	Hall	.....	D99/28

(Continued)

OTHER PUBLICATIONS

Tenet high quality self service payment ordering kiosk for parking lot, [https://www.alibaba.com/product-detail/Tenet-high-quality-self-service-payment\\_62425368204.html](https://www.alibaba.com/product-detail/Tenet-high-quality-self-service-payment_62425368204.html), 2021 (Year: 2021).\*

*Primary Examiner* — Elizabeth J Oswecki

(74) *Attorney, Agent, or Firm* — Mark M. Friedman

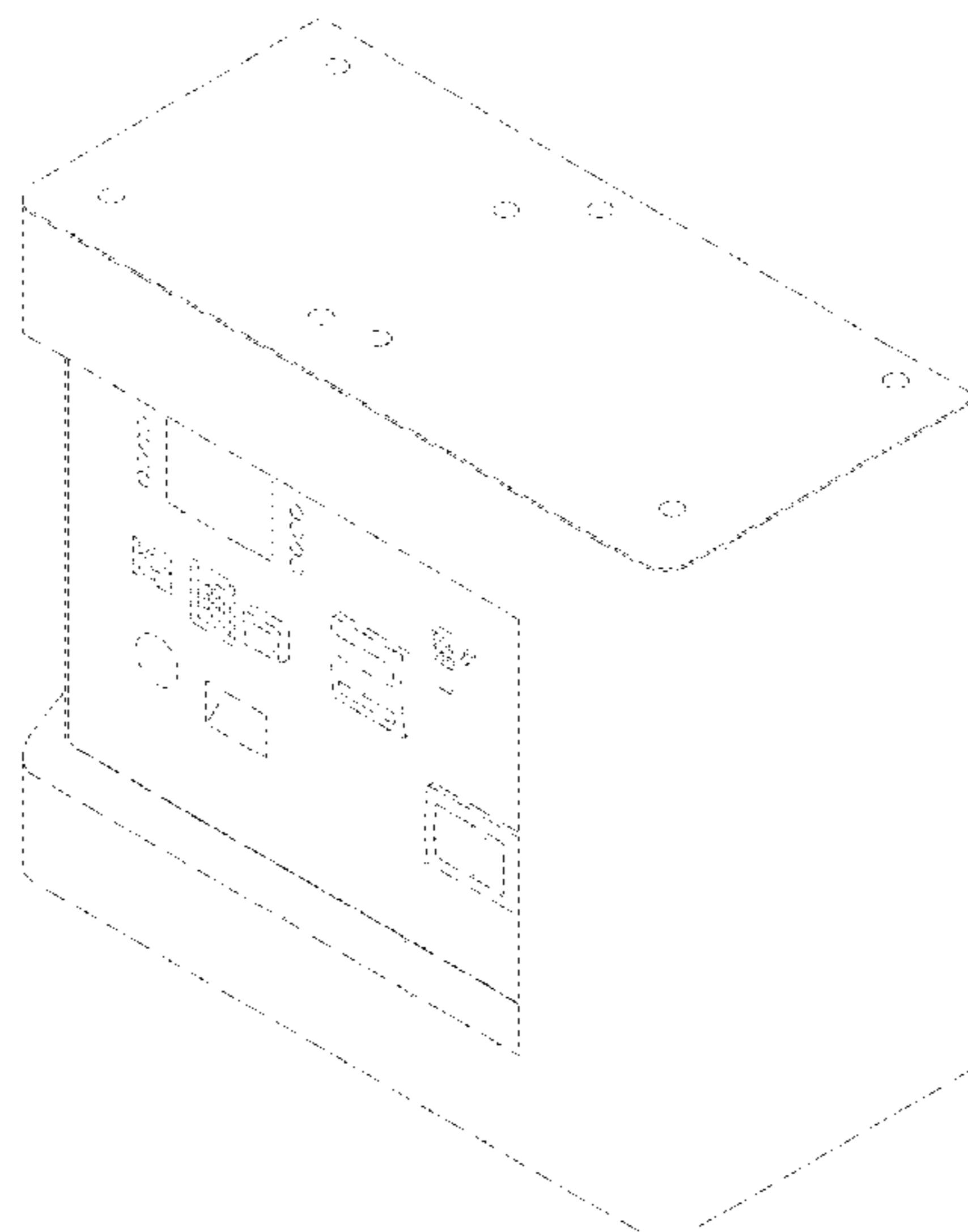
(57) **CLAIM**

The ornamental design for an automated teller machine, as shown and described.

**DESCRIPTION**

FIG. 1 is a front perspective view of an automated teller machine, showing my new design;  
FIG. 2 is a front view thereof;  
FIG. 3 is a right-side view thereof;  
FIG. 4 is a left-side view thereof;  
FIG. 5 is a rear view thereof;  
FIG. 6 is a top view thereof; and,  
FIG. 7 is a bottom view thereof.  
The broken lines shown in the figures illustrate portions of the automated teller machine that form no part of the claimed design.

**1 Claim, 7 Drawing Sheets**



(56)

References Cited

U.S. PATENT DOCUMENTS

D360,735 S \* 7/1995 Hall ..... D99/28  
 D360,737 S \* 7/1995 Helbig, Jr. .... D99/28  
 D360,739 S \* 7/1995 Hall ..... D99/28  
 D427,413 S \* 6/2000 Wallace ..... D99/28  
 6,527,172 B1 \* 3/2003 Lewis ..... G07F 19/20  
 235/375  
 D479,642 S \* 9/2003 Magee ..... D18/3.1  
 D481,515 S \* 10/2003 Magee ..... D18/3.1  
 6,732,918 B2 \* 5/2004 Coventry ..... G07F 19/20  
 235/379  
 D494,730 S \* 8/2004 Magee ..... D99/28  
 6,793,133 B2 \* 9/2004 Magee ..... G06Q 20/1085  
 235/379  
 D505,765 S \* 5/2005 Swaine ..... D99/28  
 D532,579 S \* 11/2006 Kang ..... D99/28  
 D553,689 S \* 10/2007 Lebeau ..... D20/2  
 D597,275 S \* 7/2009 Lee ..... D99/28  
 D651,375 S \* 12/2011 Lee ..... D99/28

D672,525 S \* 12/2012 Lee ..... D99/28  
 D677,035 S \* 2/2013 Lee ..... D99/28  
 D696,484 S \* 12/2013 Lee ..... D99/28  
 D696,485 S \* 12/2013 Lee ..... D99/28  
 D728,190 S \* 4/2015 Sheley ..... D99/28  
 D742,090 S \* 10/2015 Randall ..... D99/28  
 D746,538 S \* 12/2015 Cha ..... D99/28  
 D746,539 S \* 12/2015 Lee ..... D99/28  
 D749,290 S \* 2/2016 Pollmann ..... D99/28  
 9,290,927 B1 \* 3/2016 Sheley ..... G07F 19/205  
 D806,349 S \* 12/2017 Birnie ..... D99/28  
 D825,883 S \* 8/2018 Oh ..... D99/28  
 D853,076 S \* 7/2019 Park ..... D99/28  
 2005/0029340 A1 \* 2/2005 Ferraro ..... G07F 19/205  
 235/379  
 2008/0265019 A1 \* 10/2008 Artino ..... G07F 19/202  
 235/379  
 2008/0296365 A1 \* 12/2008 Schliebe ..... G07F 19/2055  
 235/379  
 2010/0187300 A1 \* 7/2010 Ramachandran ..... G07F 19/207  
 235/379

\* cited by examiner

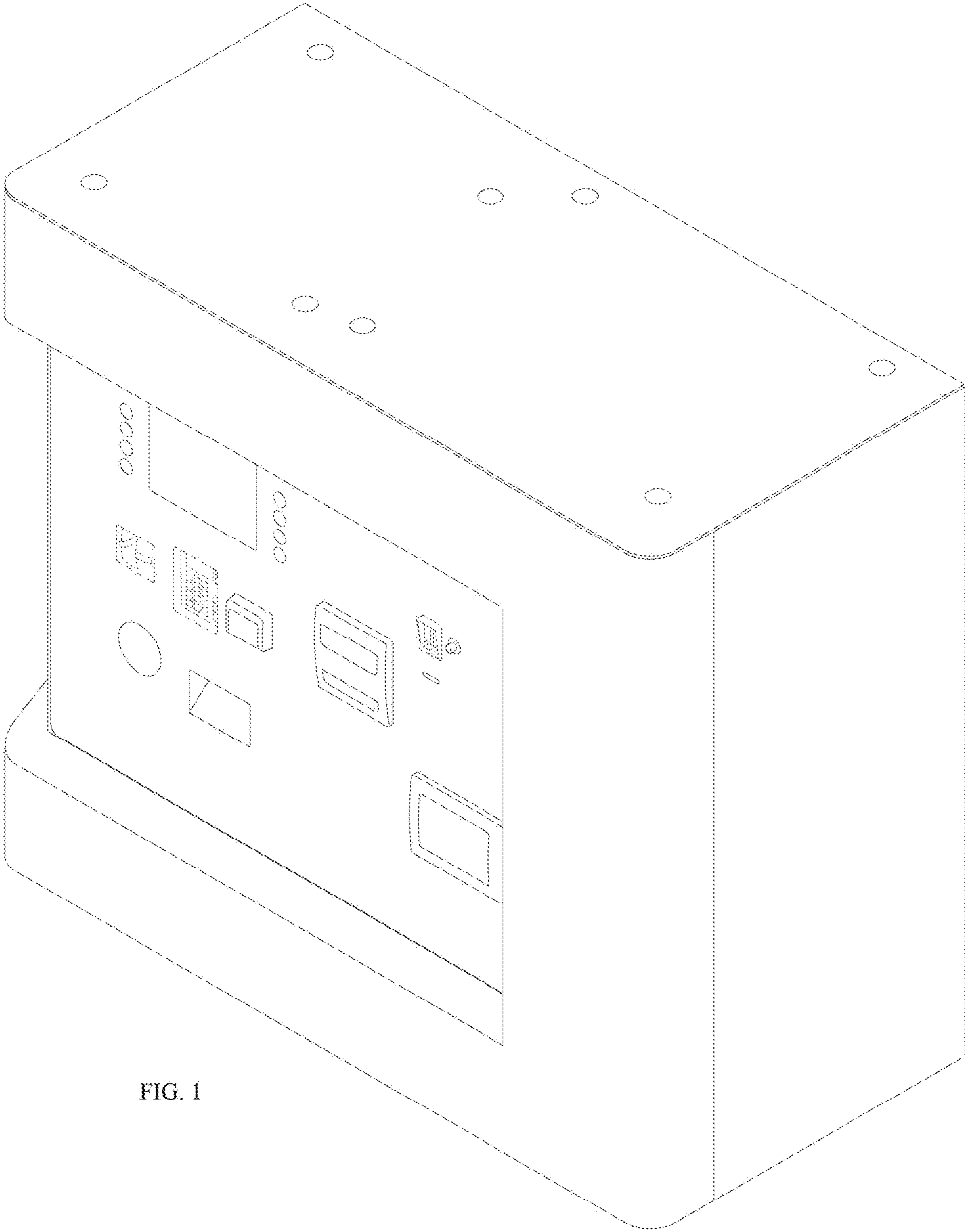


FIG. 1

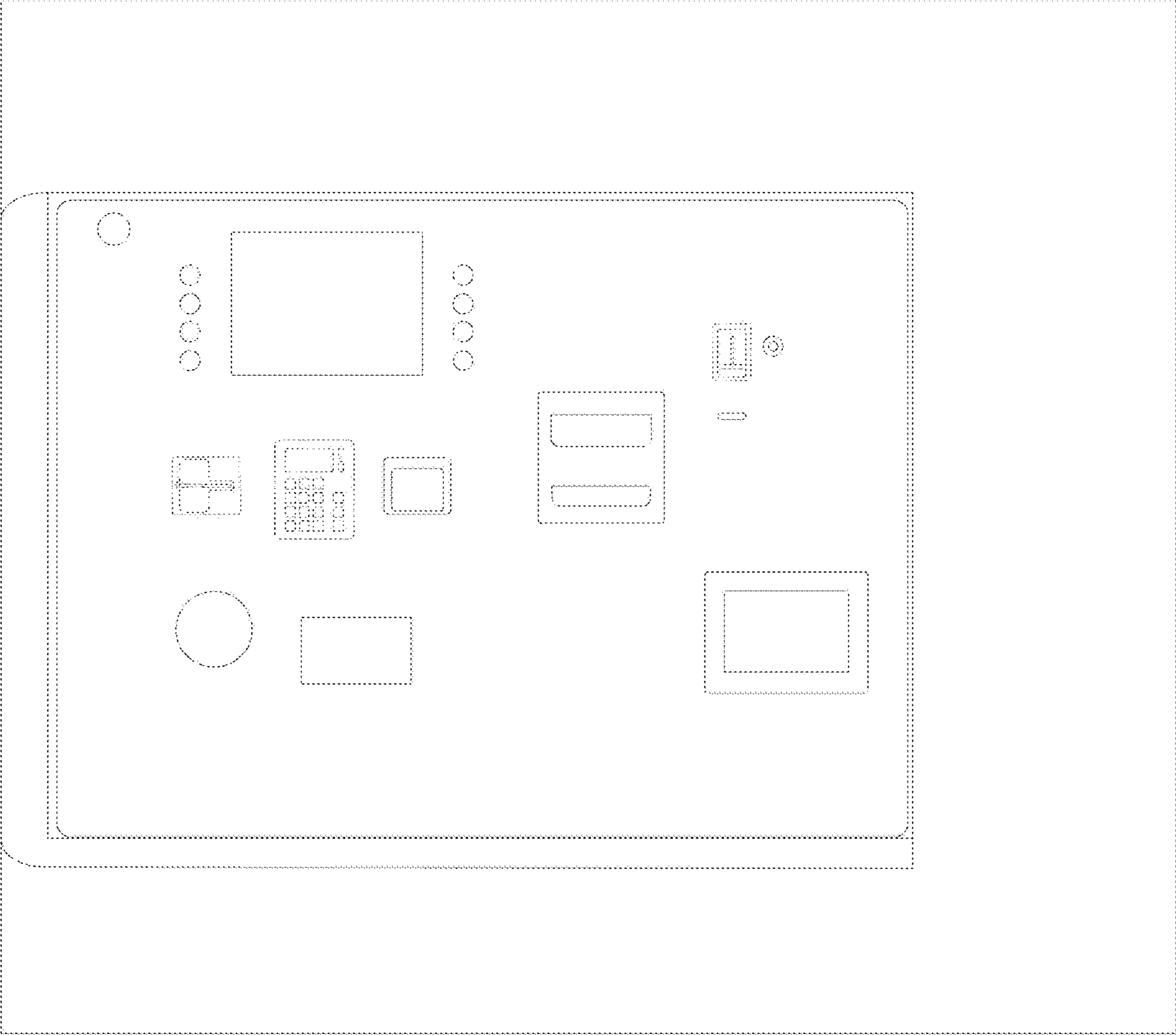


FIG. 2

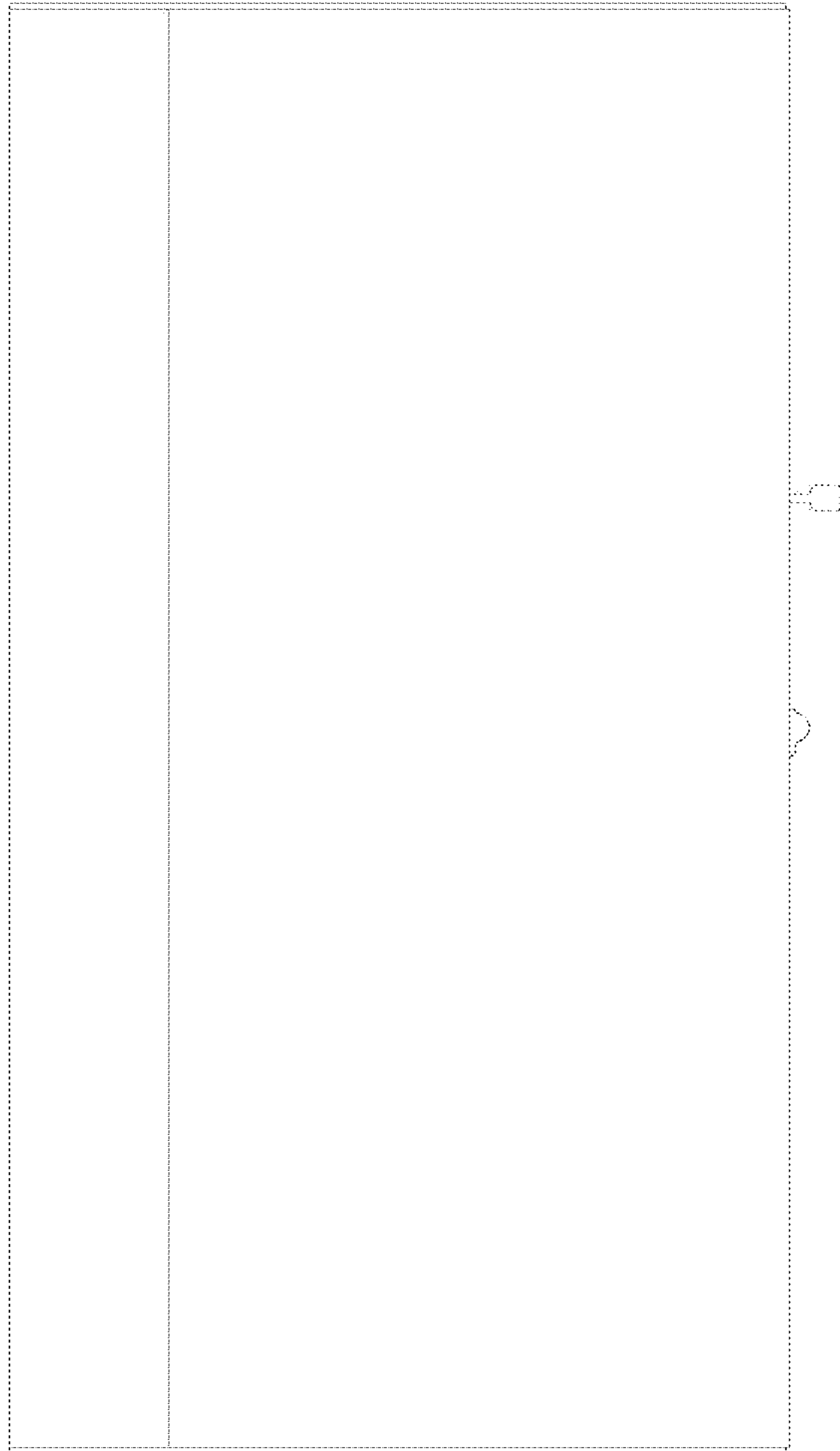


FIG. 3

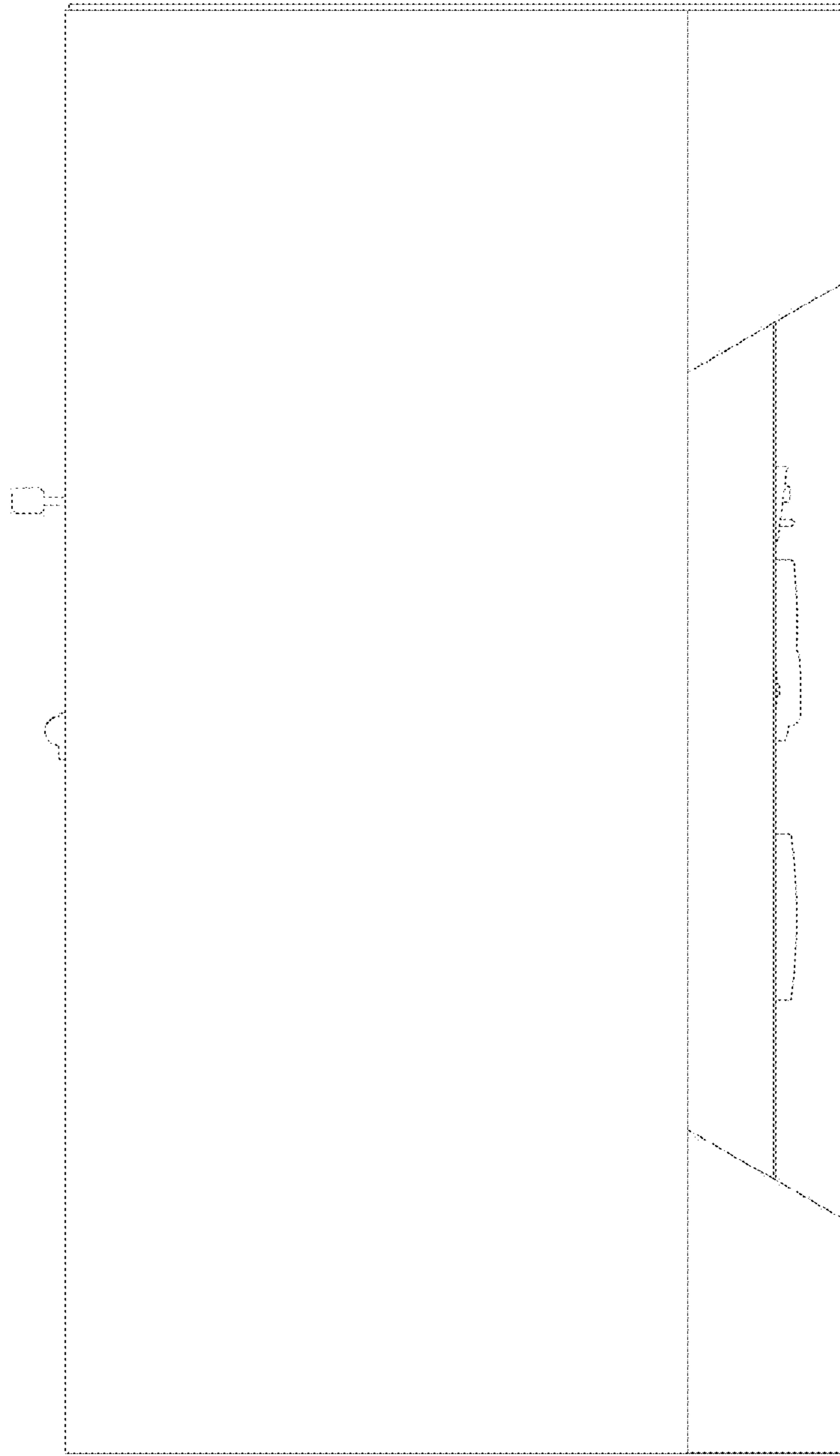


FIG. 4

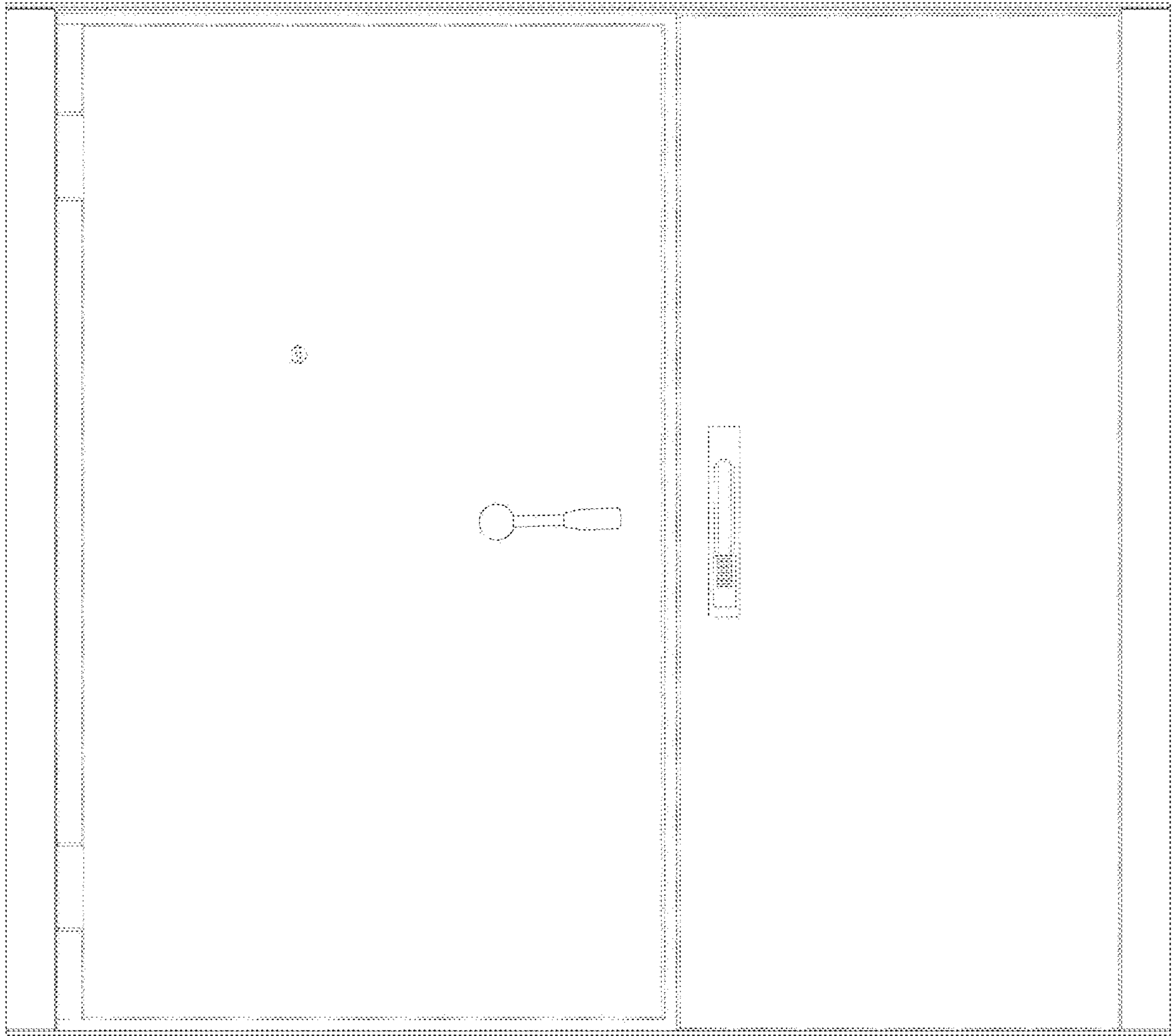


FIG. 5

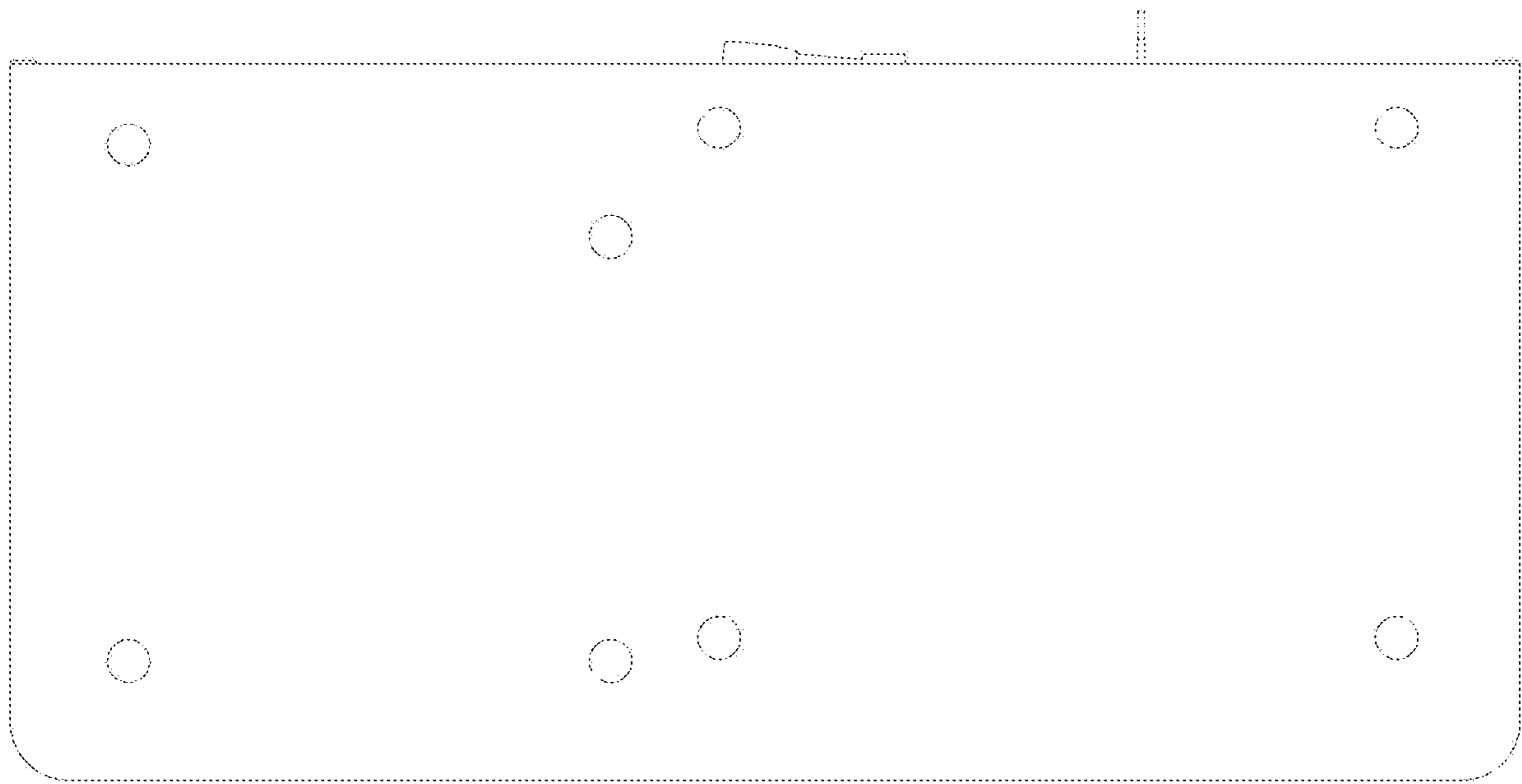


FIG. 6



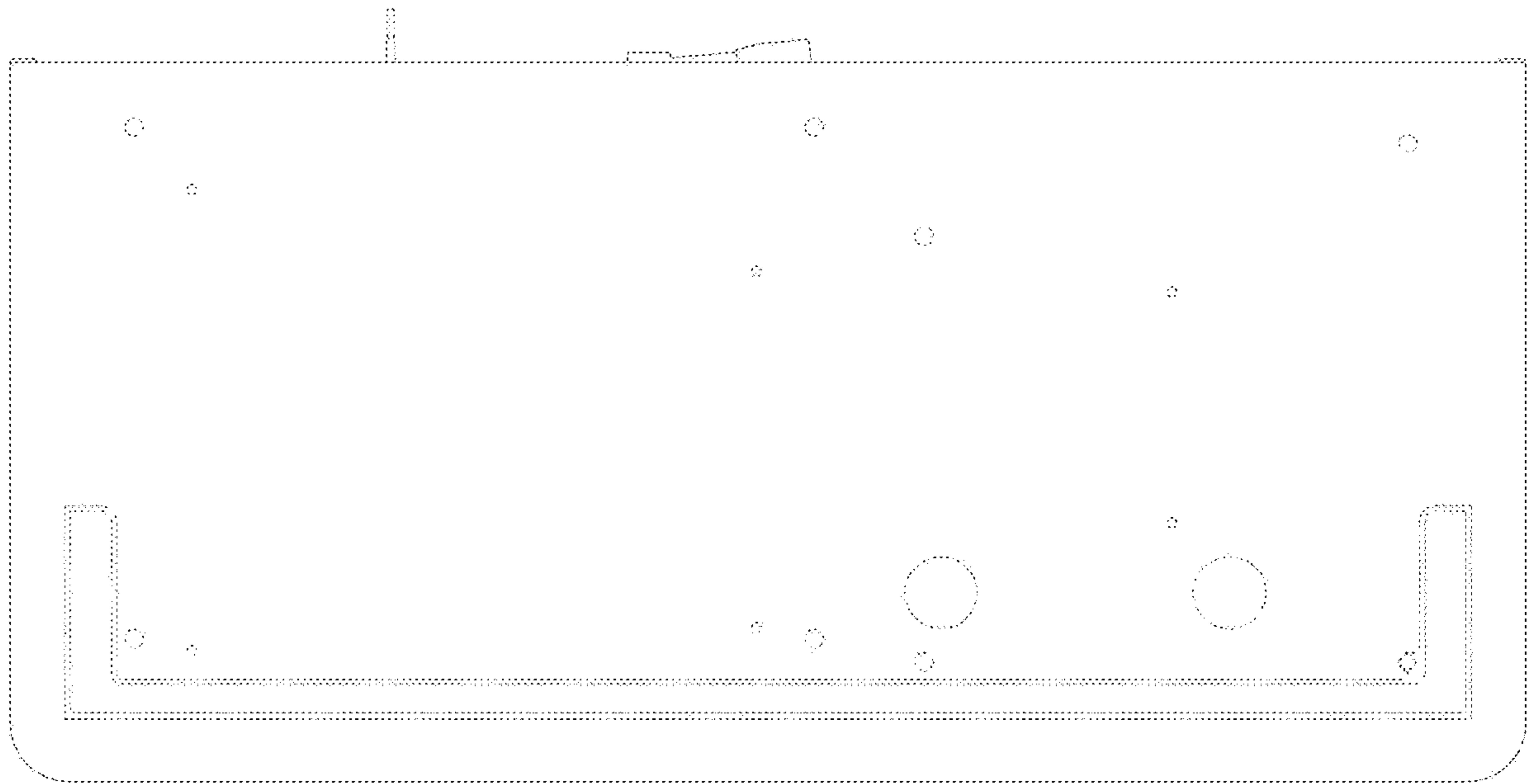


FIG. 7