

US00D922722S

(12) **United States Design Patent**
Eygreteau et al.

(10) **Patent No.:** **US D922,722 S**
(45) **Date of Patent:** **** Jun. 15, 2021**

(54) **BARREL OPENING COVER**
(71) Applicant: **JUST A BREATH ON BARRELS,**
Narbonne (FR)
(72) Inventors: **Fabrice Eygreteau,** Narbonne (FR);
Gaetan Martos, Narbonne (FR)
(73) Assignee: **JUST A BREATH ON BARRELS,**
Narbonne (FR)
(**) Term: **15 Years**

3,466,908 A * 9/1969 Whiteford B29C 49/44
72/58
3,501,047 A * 3/1970 Raabe B65D 21/0209
220/648
3,515,306 A * 6/1970 Roper B65D 43/0212
220/792
3,868,041 A * 2/1975 Knize B65D 45/18
220/324
D241,717 S * 10/1976 Chase et al. D34/39
4,381,061 A * 4/1983 Cerny B65D 1/12
215/12.2
D271,945 S * 12/1983 Ochs D9/452
4,646,931 A * 3/1987 Andrews B65D 45/32
220/320

(21) Appl. No.: **29/691,260**

(Continued)

(22) Filed: **May 15, 2019**

OTHER PUBLICATIONS

(51) **LOC (13) Cl.** **09-02**

(52) **U.S. Cl.**
USPC **D34/39**

Google image search, https://www.lmakkahg.com/index.php?main_page=product_info&products_id=706693, authentic French Wine barrel lid lazy Susan, Oct. 27, 2020 (Year: 2020).*

(Continued)

(58) **Field of Classification Search**
USPC D34/39; D9/449, 633; D7/392, 392.1,
D7/391; D17/22
CPC ... B65D 1/12; B65D 1/00; B65D 1/20; B65D
1/40; B65D 11/06; B65D 45/18; B65D
45/32; B65D 45/345; B65D 51/1605;
B65D 43/0204

Primary Examiner — Cynthia Ramirez
(74) *Attorney, Agent, or Firm* — Scully, Scott, Murphy &
Presser PC

See application file for complete search history.

(57) **CLAIM**

The ornamental design for a barrel opening cover, as shown and described.

(56) **References Cited**

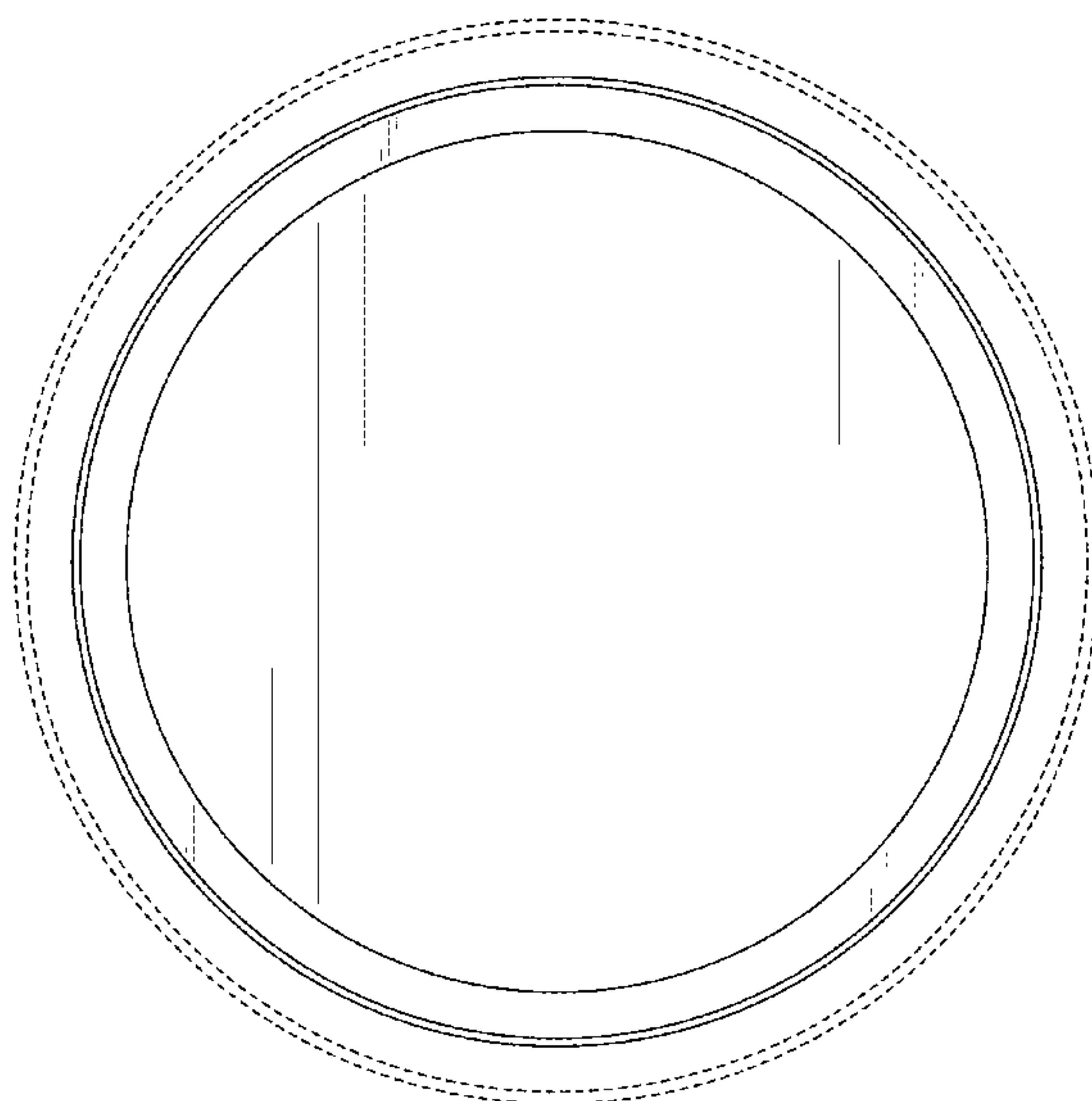
U.S. PATENT DOCUMENTS

D11,717 S * 4/1880 Chase D10/6
1,921,016 A * 8/1933 Young B65D 43/0218
220/265
D122,336 S * 9/1940 James D9/633
2,915,330 A * 12/1959 Verbiar B65D 45/32
292/256.67
3,297,194 A * 1/1967 Caldwell B65D 1/10
220/672
3,325,044 A * 6/1967 McCutcheon B65D 25/2873
220/212.5
3,443,735 A * 5/1969 Meijers B65D 15/02
229/117.27

DESCRIPTION

FIG. 1 illustrates a top plan view of a barrel opening cover showing our new and ornamental design;
FIG. 2 illustrates a bottom plan view thereof;
FIG. 3 illustrates a top perspective view thereof; and,
FIG. 4 illustrates a bottom perspective view thereof.
The broken lines in the drawings show environment and form no part of the claimed design.

1 Claim, 4 Drawing Sheets



(56)

References Cited

U.S. PATENT DOCUMENTS

4,736,862 A * 4/1988 Hammes B65D 1/16
220/601
D309,109 S * 7/1990 Allen D9/435
4,998,643 A * 3/1991 Pradel B65D 45/32
220/320
D321,318 S * 11/1991 Gunter D9/780
D332,049 S * 12/1992 Burgdorf D34/39
D344,385 S * 2/1994 Przytulla D34/39
D359,830 S * 6/1995 Mikula D34/39
D398,997 S * 9/1998 Taylor D23/386
5,918,757 A * 7/1999 Przytulla B65D 1/20
220/288
5,941,406 A * 8/1999 Przytulla B65D 11/06
220/254.2
6,024,245 A * 2/2000 Malik B29C 49/18
220/604
D422,394 S * 4/2000 Scott D34/39
6,948,633 B2 * 9/2005 Freek B29C 51/30
220/254.1
7,040,501 B1 * 5/2006 Przytulla B65D 11/06
220/659
D543,004 S * 5/2007 Pomilia D34/39
D555,325 S * 11/2007 Roberts D34/11
D571,832 S * 6/2008 Ota D15/138
D583,395 S * 12/2008 Ueda D15/138
D597,725 S * 8/2009 Smeaton D34/11
D692,720 S * 11/2013 Audette D7/392

8,973,779 B2 * 3/2015 Schutz B65D 1/40
220/601
D782,771 S * 3/2017 Morris D34/39
D794,456 S * 8/2017 Rockwell D9/449
D813,274 S * 3/2018 Platt D15/5
D816,500 S * 5/2018 Torrison D9/454
D859,155 S * 9/2019 Reiley D9/449
D871,834 S * 1/2020 Sarnoff D7/392.1
D880,224 S * 4/2020 Wiggins D7/392
D883,023 S * 5/2020 Hollinger D7/391
D887,268 S * 6/2020 Rhea D9/449
D889,902 S * 7/2020 Cheng D7/391
D889,903 S * 7/2020 Cheng D7/391
2009/0294449 A1 * 12/2009 Taylor B65D 45/34
220/321
2013/0334228 A1 * 12/2013 Schmidtner B65D 45/32
220/319
2016/0311584 A1 * 10/2016 Van Oosten B65D 45/345
2018/0186509 A1 * 7/2018 Deutsch B65D 7/04

OTHER PUBLICATIONS

Google image search, <https://www.houzz.com/products/wine-barrel-lazy-susan-with-steel-band-large-prvw-vr~56314348>, Wine barrel Laz Susan with steel band, Oct. 27, 2020 (Year: 2020).*
Google image search, <https://www.ebay.com/itm/Jim-Beam-Bourbon-Whisky-Barrel-Head-Top-Lid-End-Oak-AUTHENTIC-distillery-stamp>, Jim beam bourbon whisky barrel, Oct. 27, 2020 (Year: 2020).*

* cited by examiner

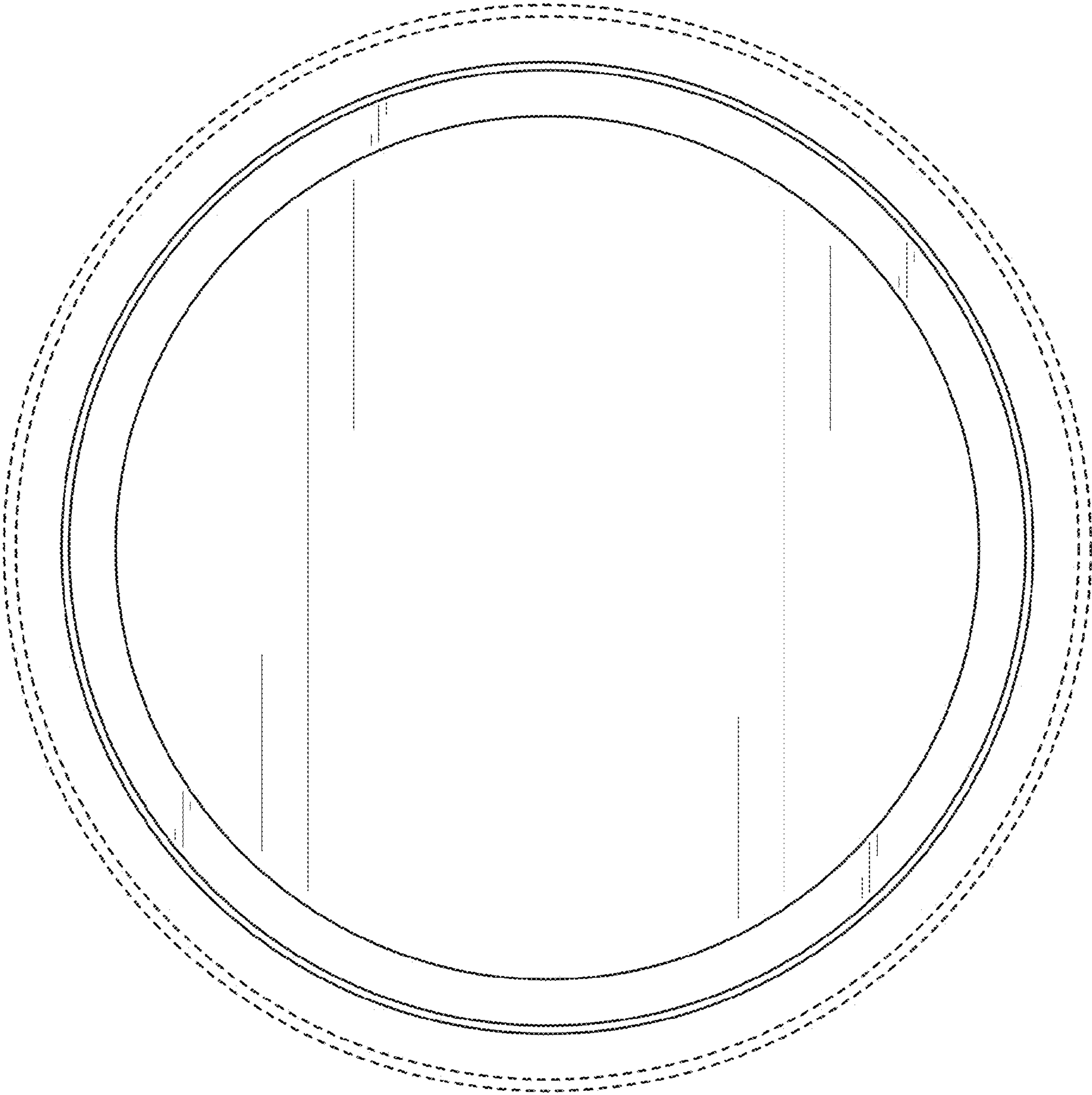


FIG. 1

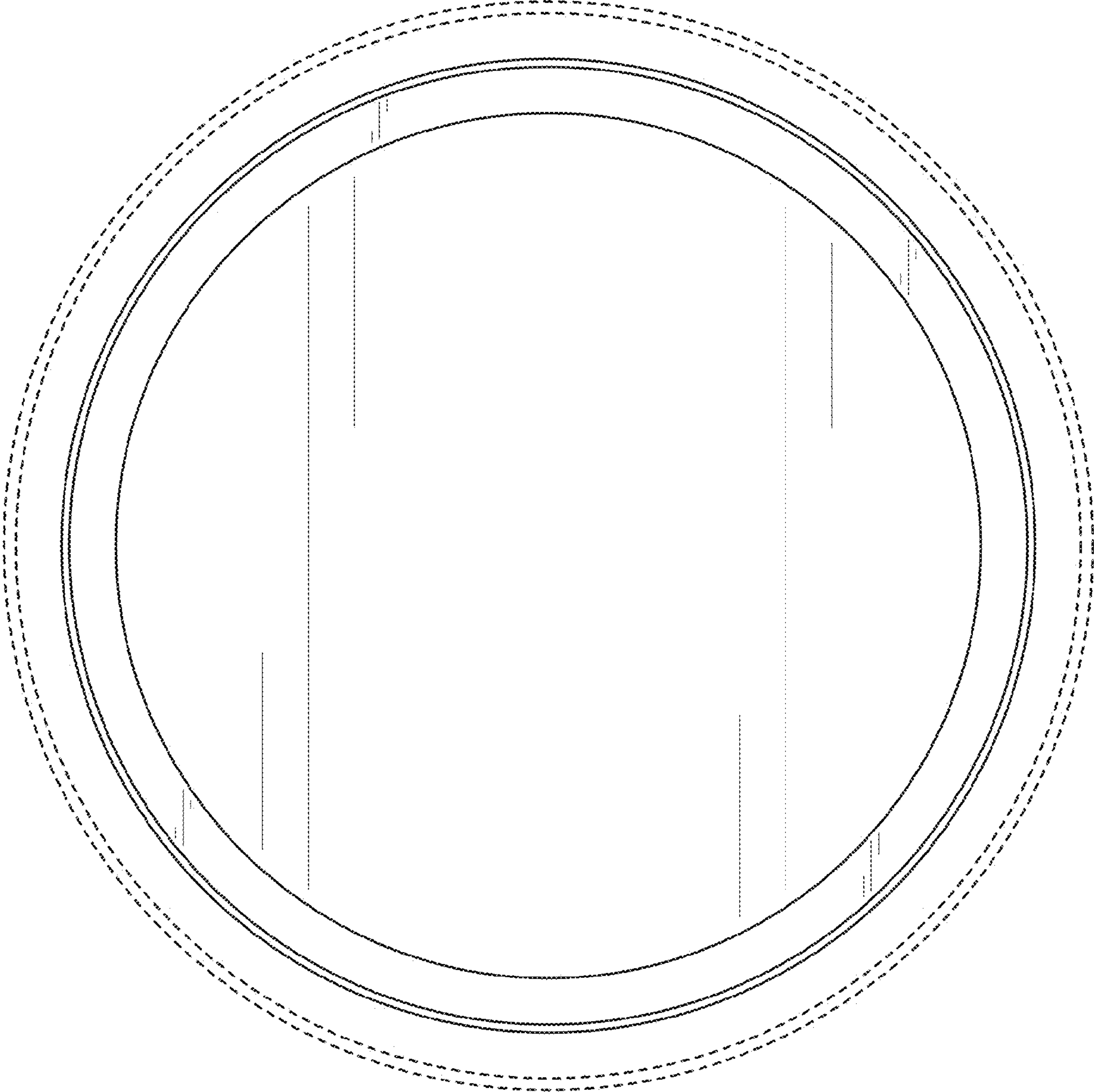


FIG. 2

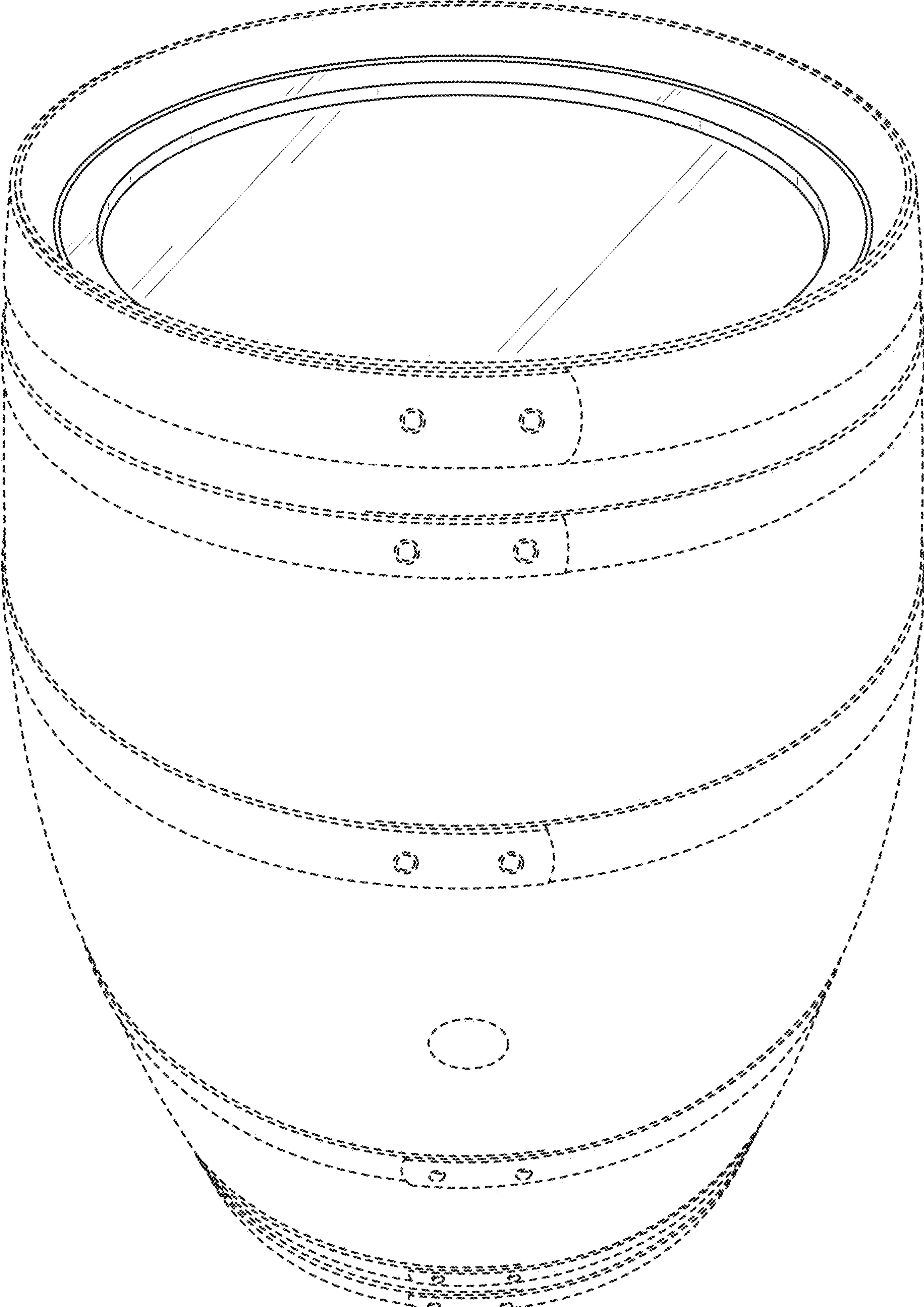


FIG. 3

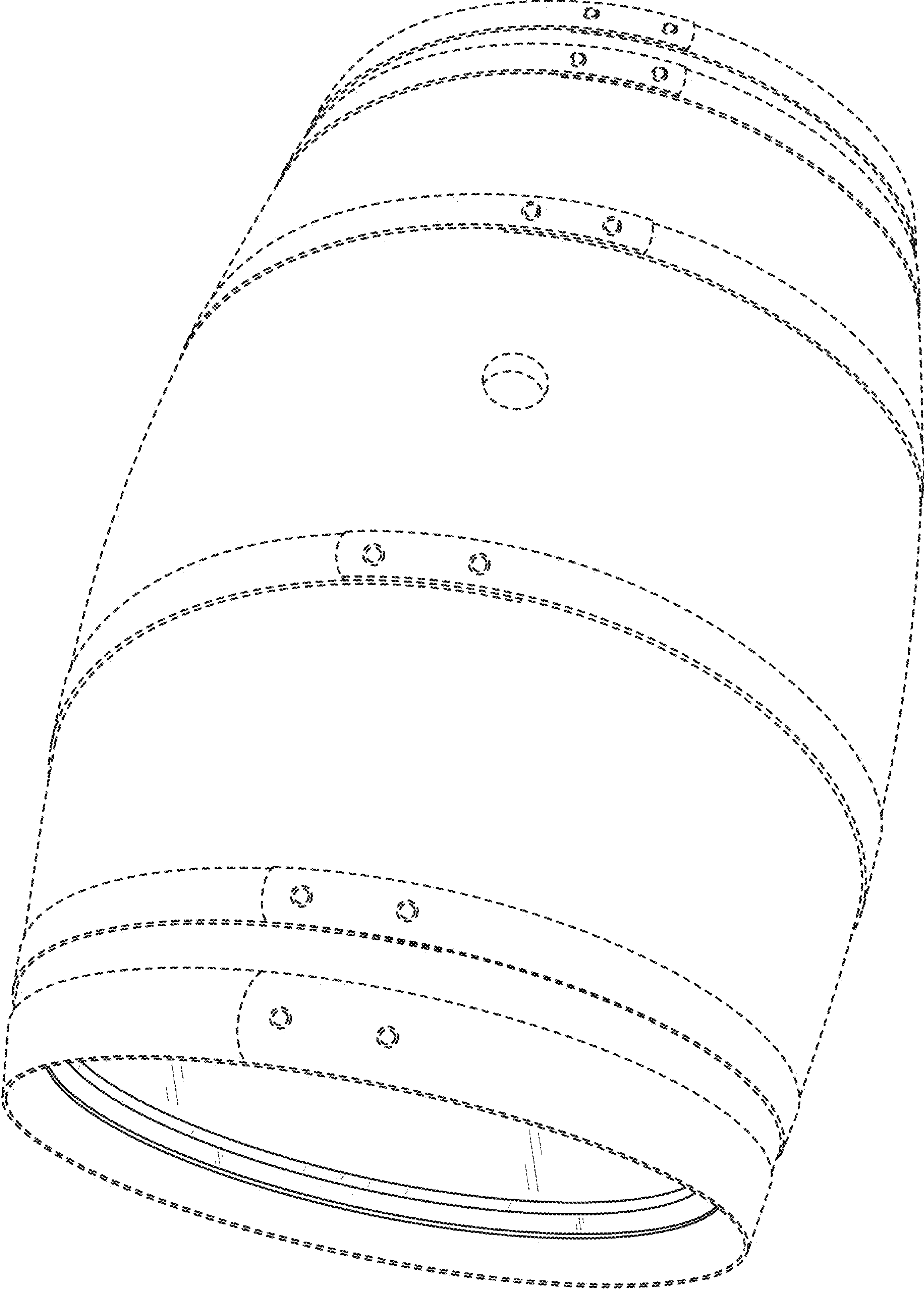


FIG. 4