



US00D922721S

(12) **United States Design Patent**  
**Heinzmann et al.**

(10) **Patent No.:** **US D922,721 S**  
(45) **Date of Patent:** **\*\* Jun. 15, 2021**

(54) <b>PALLET</b>	4,674,414 A	6/1987	Fahrion .....	B65D 19/004 108/53.3
(71) Applicant: <b>Big 3 Precision Products, Inc.</b> , Centralia, IL (US)	5,094,175 A 5,667,065 A	3/1992 9/1997	Christie Fabrion .....	B65D 19/004 108/53.1
(72) Inventors: <b>Roger Heinzmann</b> , Walnut Hill, IL (US); <b>Alan Scheidt</b> , Troy, IL (US); <b>Joe Biagi</b> , Centralia, IL (US)	D404,179 S 6,234,087 B1	1/1999 5/2001	Apps et al. Brown .....	B65D 19/0034 108/55.1
(73) Assignee: <b>BIG 3 PRECISION PRODUCTS, INC.</b> , Centralia, IL (US)	D464,186 S 7,908,980 B2	10/2002 3/2011	Medoff et al. Schmidt .....	B65D 77/0466 108/51.11
(**) Term: <b>15 Years</b>	9,487,326 B2 9,487,329 B2 9,580,237 B2 D825,882 S	11/2016 11/2016 2/2017 8/2018	Banik et al. Balazs et al. Nolan et al. Thompson	
(21) Appl. No.: <b>29/765,004</b>	10,301,068 B2 10,457,444 B2 D887,665 S	5/2019 10/2019 6/2020	Nottestad et al. Banik et al. Peng .....	D34/38 D34/38
(22) Filed: <b>Jan. 5, 2021</b>	D895,924 S	9/2020	Heinzmann .....	D34/38

(Continued)

**Related U.S. Application Data**

(63) Continuation of application No. 29/745,392, filed on Aug. 5, 2020, now Pat. No. Des. 909,703, which is a continuation of application No. 29/728,029, filed on Mar. 16, 2020, now Pat. No. Des. 895,924.

(51) **LOC (13) Cl.** ..... **09-08**

(52) **U.S. Cl.**  
USPC ..... **D34/38**

(58) **Field of Classification Search**

USPC ..... D34/38; D3/307  
CPC ..... B65D 2519/00323; B65D 2519/00293;  
B65D 2519/00333; B65D 2519/00273;  
B65D 2519/00572; B65D 2519/00338;  
B65D 2519/00288; B65D 2519/0094;  
B65D 2519/00069; B65D 2519/00318

See application file for complete search history.

(56) **References Cited**

**U.S. PATENT DOCUMENTS**

4,226,192 A 10/1980 Myers  
D258,948 S 4/1981 Stump

*Primary Examiner* — Cynthia Ramirez

(74) *Attorney, Agent, or Firm* — Eric B. Fugett; Mark A. Pitchford; Pitchford Fugett, PLLC

(57) **CLAIM**

The ornamental design for a pallet, as shown and described.

**DESCRIPTION**

FIG. 1 is an elevated perspective view of a pallet showing Applicant's invention.

FIG. 2 is a depressed perspective view of the pallet of FIG. 1.

FIG. 3 is a top plan view of the pallet of FIG. 1.

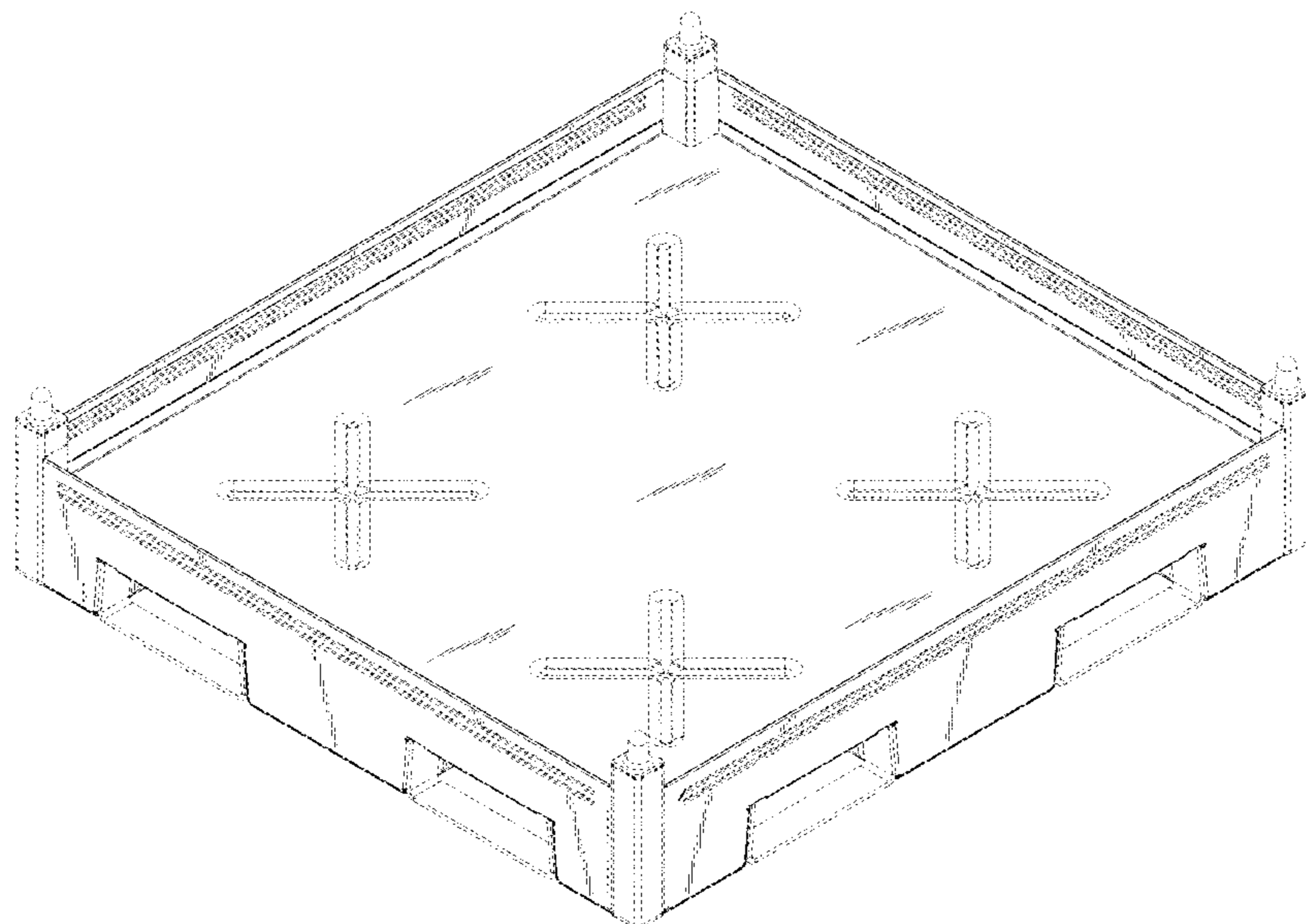
FIG. 4 is front side elevational view of the pallet of FIG. 1, the back side being a mirror image thereof.

FIG. 5 is bottom plan view of the pallet of FIG. 1; and,

FIG. 6 is a left side elevational view of the pallet of FIG. 1, the right side being a mirror image thereof.

The broken lines in the figures depict portions of the pallet that form no part of the claimed design.

**1 Claim, 4 Drawing Sheets**



(56)

**References Cited**

U.S. PATENT DOCUMENTS

D909,703 S \* 2/2021 Heinzmann ..... B65D 19/0028  
D34/38  
2009/0263228 A1 10/2009 Tygard ..... B65D 19/38  
414/800  
2012/0125802 A1 5/2012 Rayner ..... B65D 19/0065  
206/524.6  
2019/0092523 A1 3/2019 Wu ..... B27N 5/00  
2020/0062447 A1 2/2020 Ness ..... B65D 19/10

\* cited by examiner

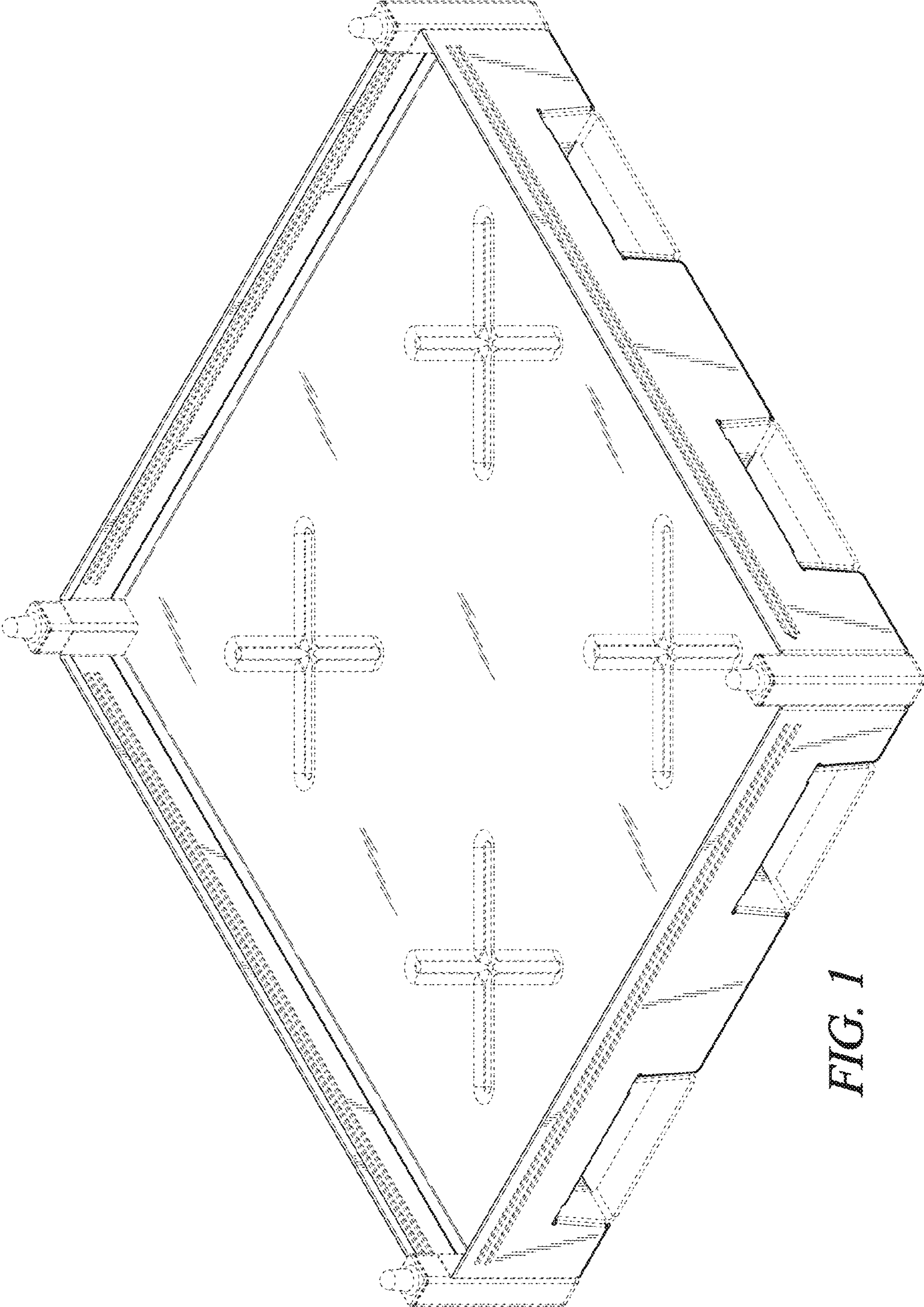


FIG. 1

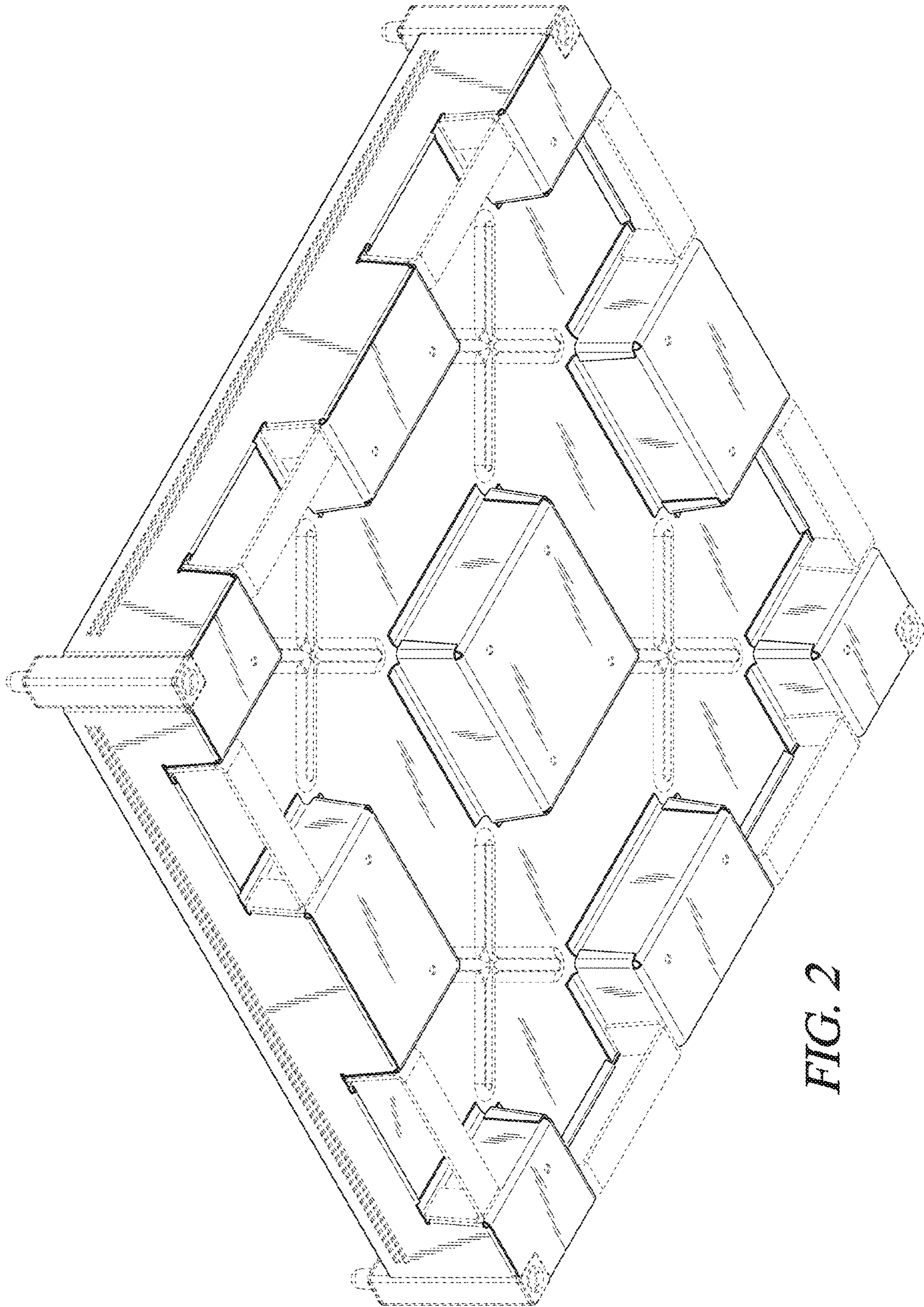
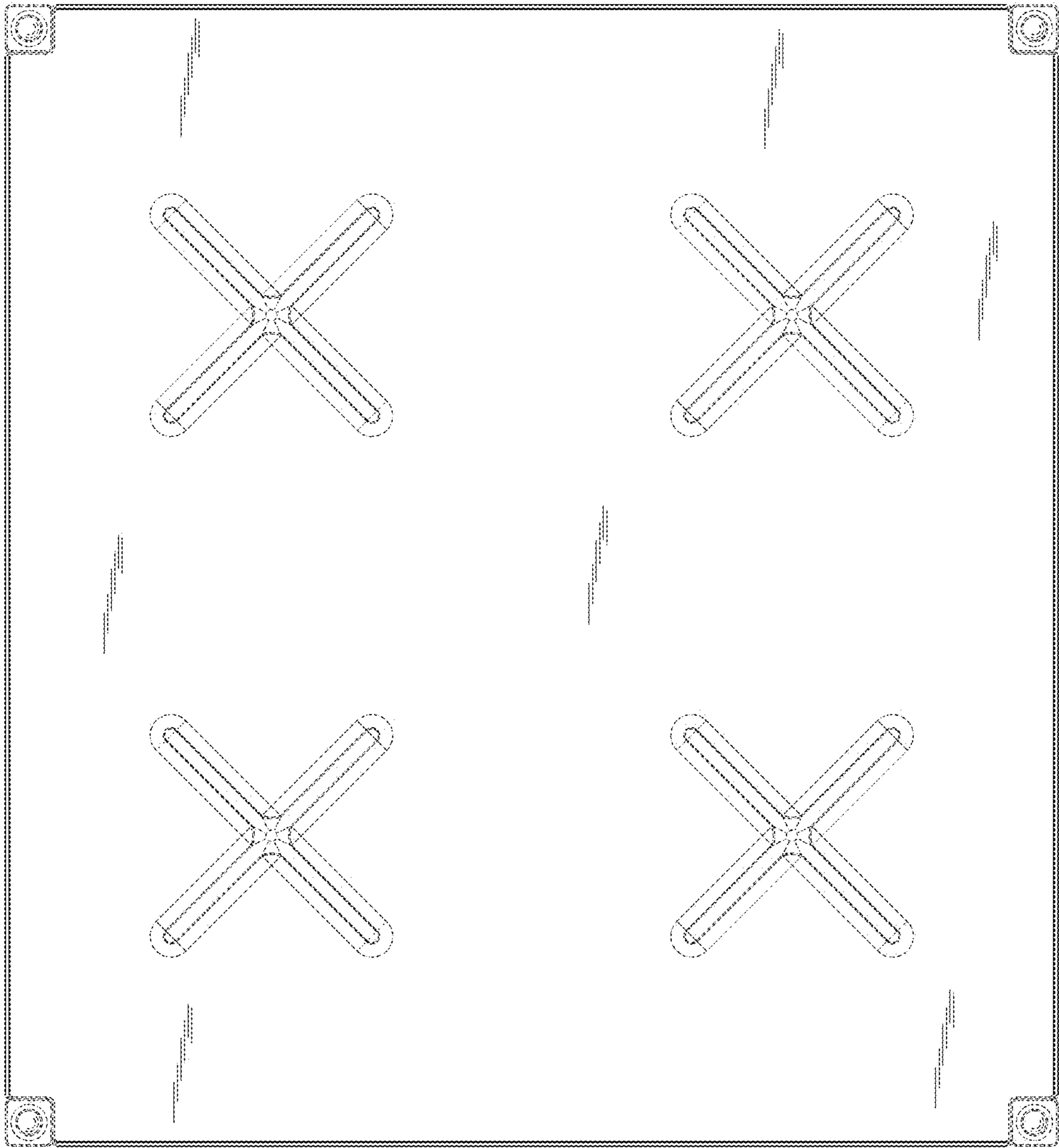
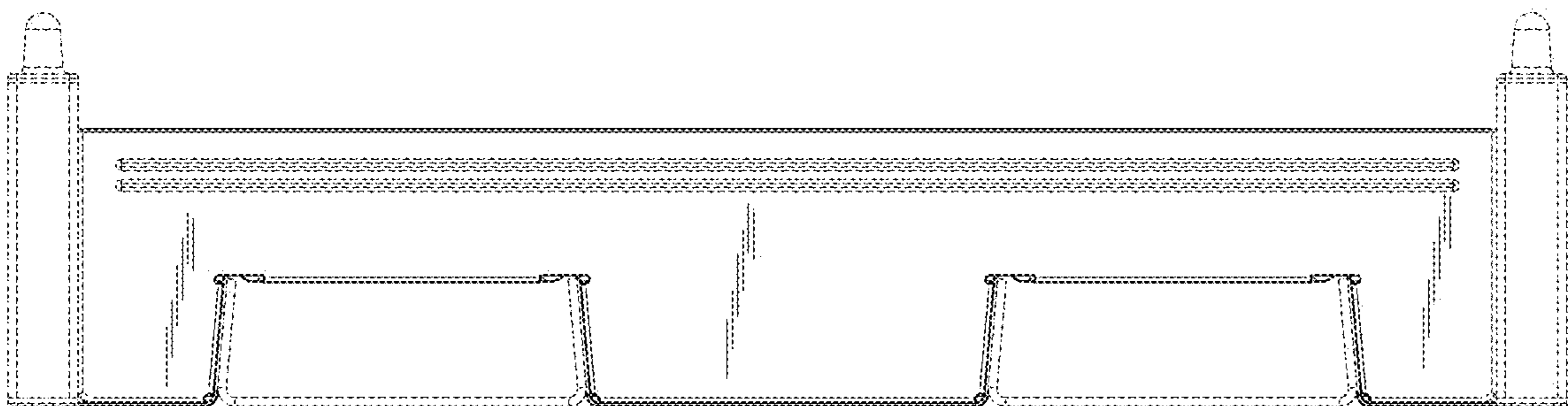


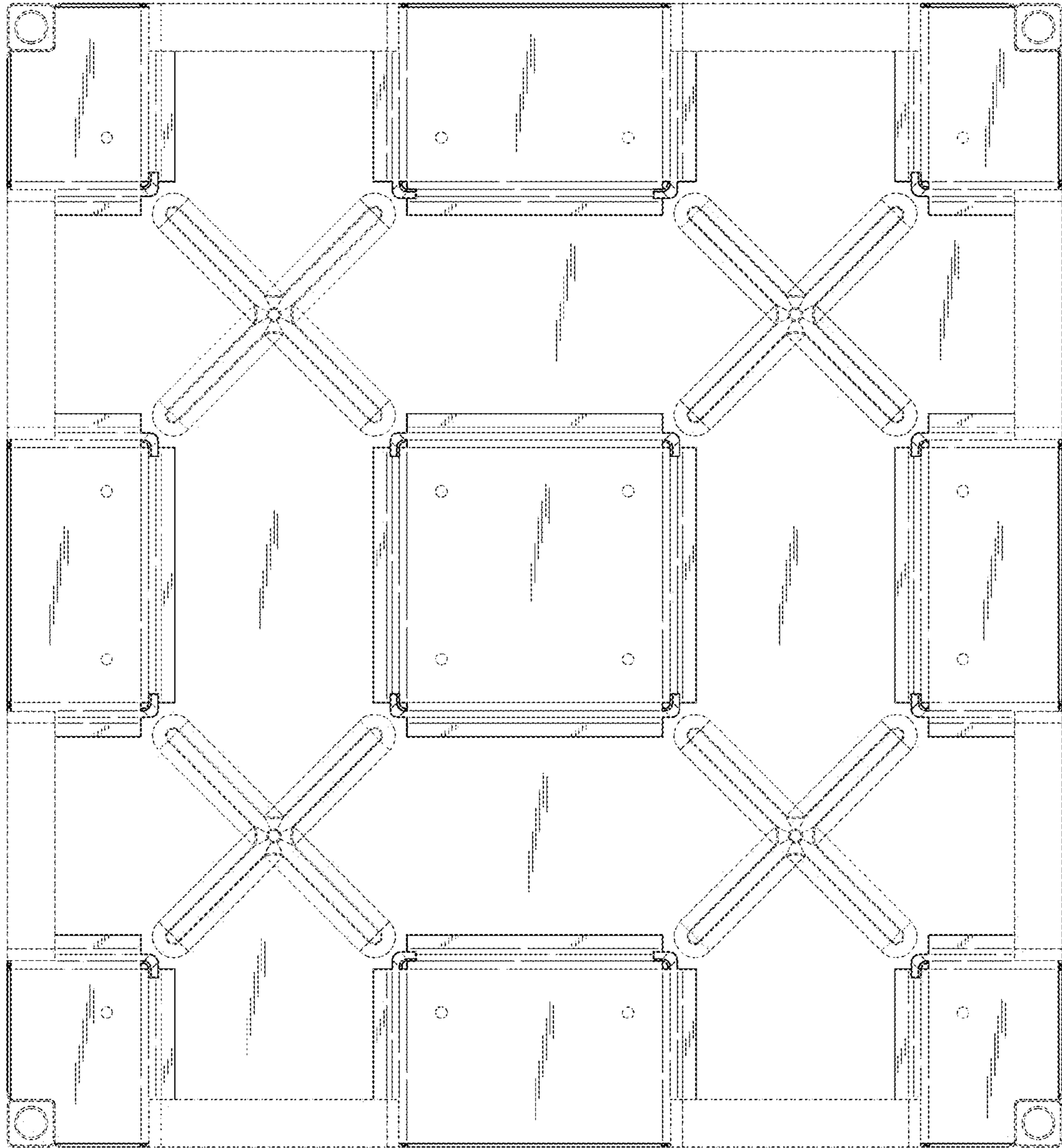
FIG. 2



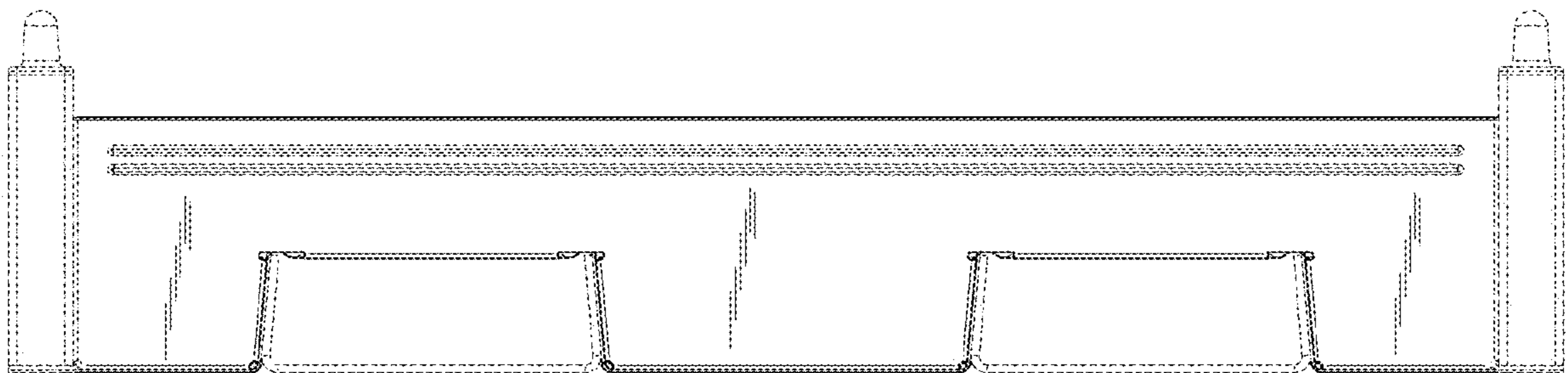
*FIG. 3*



*FIG. 4*



*FIG. 5*



*FIG. 6*