



US00D922718S

(12) **United States Design Patent**
Wang et al.

(10) **Patent No.:** **US D922,718 S**
(45) **Date of Patent:** **** Jun. 15, 2021**

(54) **CONTAINER TOP**

(71) Applicants: **Nine Stars Group (U.S.A.) Inc.**,
Pomona, CA (US); **Fujian Nashida**
Electronic Incorporated Company,
Fujian (CN)

(72) Inventors: **Xin Wang**, Fuzhou (CN); **Wenbin Ye**,
Fuzhou (CN); **Shaoming Chen**, Fuzhou
(CN)

(73) Assignees: **Nine Stars Group (U.S.A.) Inc.**,
Pomona, CA (US); **Fujian Nashida**
Electronic Incorporated Company,
Fujian (CN)

(**) Term: **15 Years**

(21) Appl. No.: **29/686,736**

(22) Filed: **Apr. 8, 2019**

(51) **LOC (13) Cl.** **09-09**

(52) **U.S. Cl.**
USPC **D34/11**

(58) **Field of Classification Search**
USPC D34/1-11; D9/737, 738, 770, 772, 777,
D9/778; D7/603, 604, 605, 608, 601;
D6/556, 535, 534; D3/304
CPC B65F 1/00; B65F 1/163; B65F 1/1638;
B65F 1/0033; B65F 1/16; B65F 1/122;
B65F 2001/1489; B65F 2240/132; Y10S
220/908; A01K 1/001
See application file for complete search history.

(56) **References Cited**

U.S. PATENT DOCUMENTS

D555,321 S * 11/2007 Lin D34/11
D819,915 S * 6/2018 Papari D34/7
D860,569 S * 9/2019 Lin D34/7
D871,012 S * 12/2019 Chen D34/7
D871,707 S * 12/2019 Chen D34/7

D872,959 S * 1/2020 Chen D34/7
D877,441 S * 3/2020 Zhou D34/9
2010/0006572 A1* 1/2010 Chiou B65F 1/1615
220/263
2011/0139781 A1* 6/2011 Jin B65F 1/1615
220/254.5
2020/0115158 A1* 4/2020 Wang B65F 1/1638

OTHER PUBLICATIONS

Ninestars Sensor Trashcan, announced 2019 [online], [site visited
Sep. 11, 2020], Available from internet, URL: https://www.amazon.com/Ninestars-AMZ-7-2-Motion-Sensor-Trashcan/dp/B07XQZ8Y8R/ref=cm_cr_ar_p_d_product_top?ie=UTF8&th=1 (Year: 2019).*

* cited by examiner

Primary Examiner — George A Bugg
Assistant Examiner — Tamara L Hahn

(74) *Attorney, Agent, or Firm* — Raymond Y. Chan;
David and Raymond Patent Firm

(57) **CLAIM**

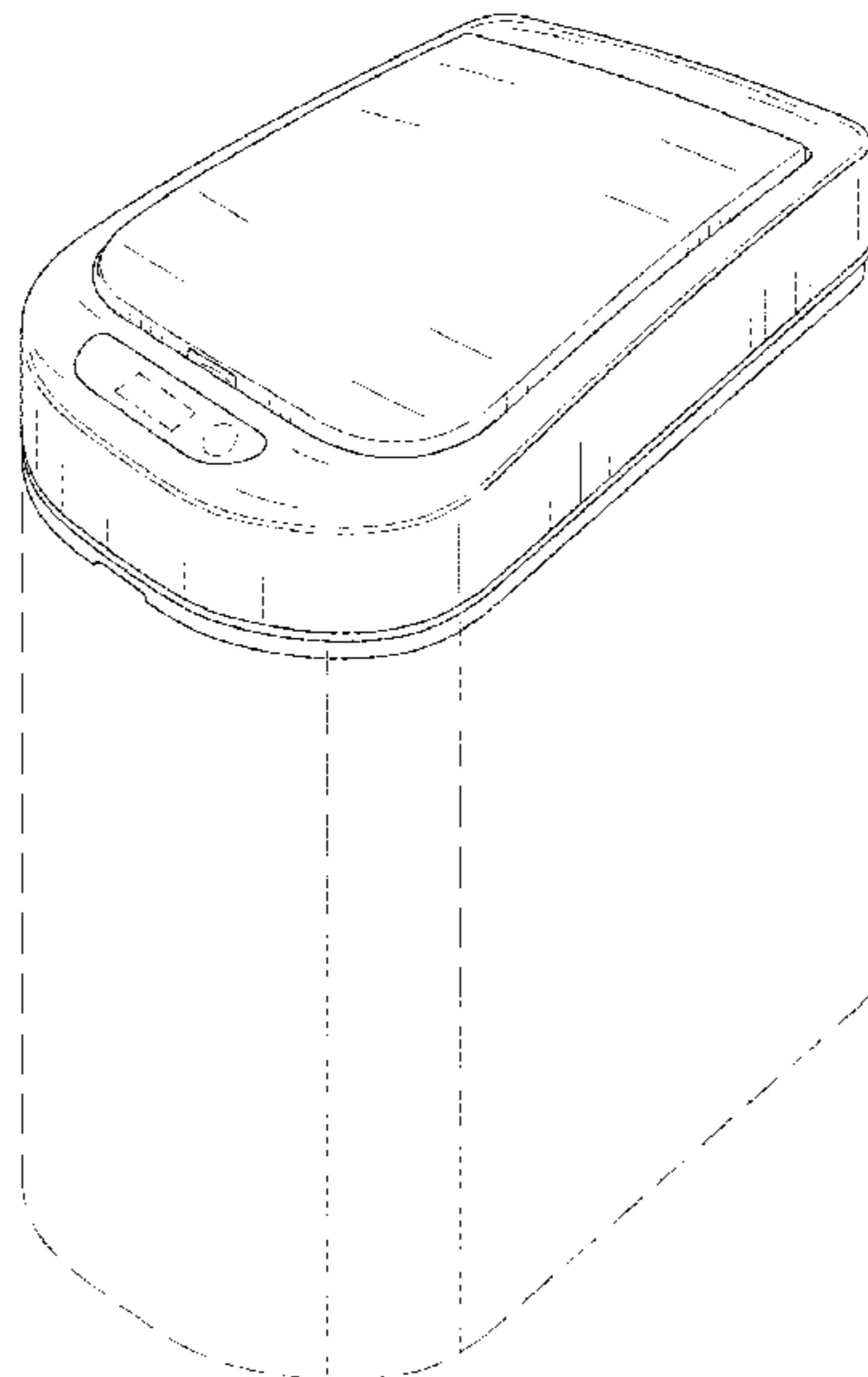
The ornamental design for a container top, as shown and
described.

DESCRIPTION

FIG. 1 is a perspective view of the container top at a closed
position showing our new design;
FIG. 2 is a front elevation view thereof;
FIG. 3 is a rear elevation view thereof;
FIG. 4 is a left side elevation view thereof;
FIG. 5 is a right side elevation view thereof;
FIG. 6 is a top plan view thereof;
FIG. 7 is a bottom plan view thereof; and,
FIG. 8 is a perspective view of the container at an opened
position.

The broken lines represent unclaimed portions of the con-
tainer top which form no part of the claimed design.

1 Claim, 8 Drawing Sheets



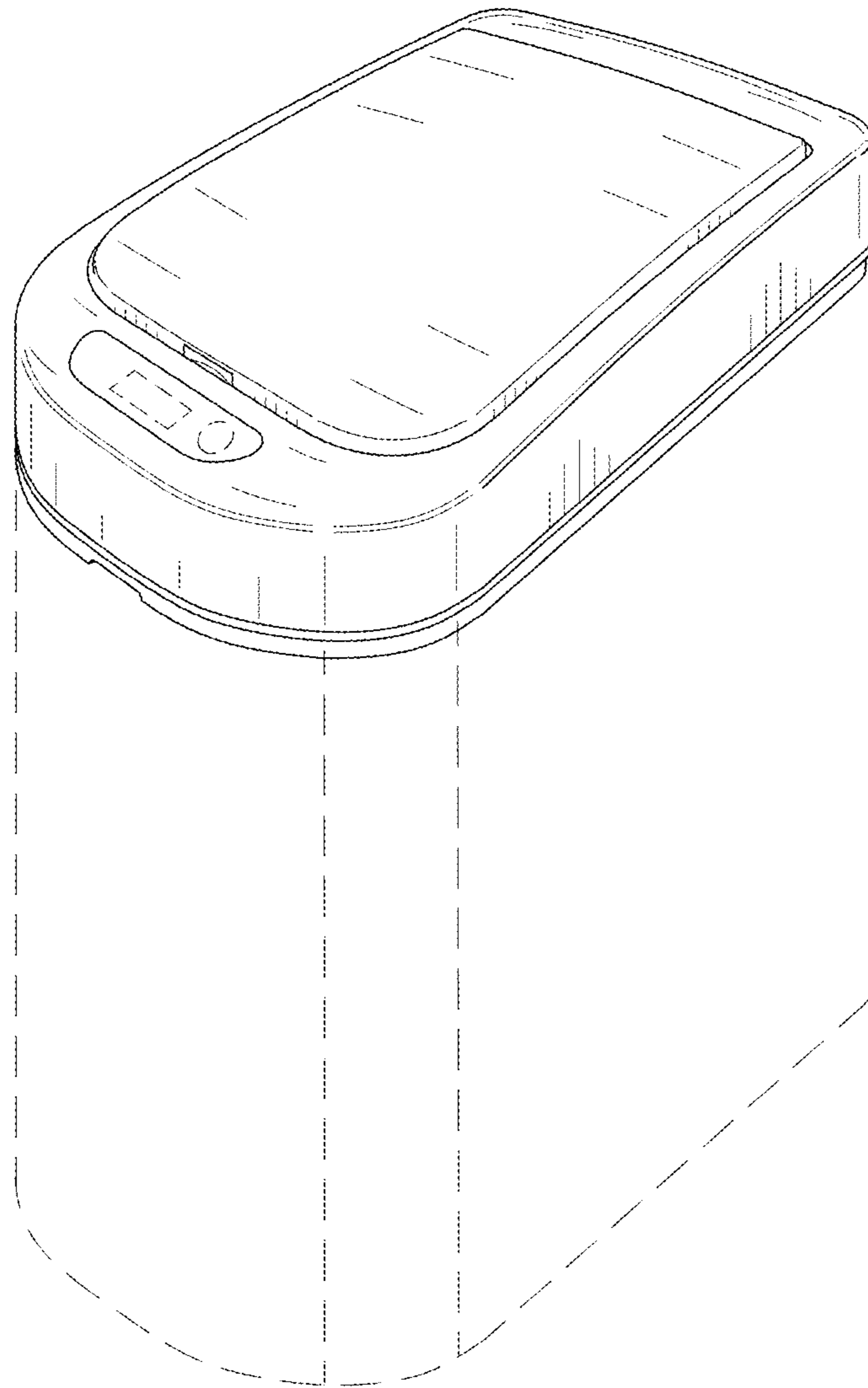


FIG. 1

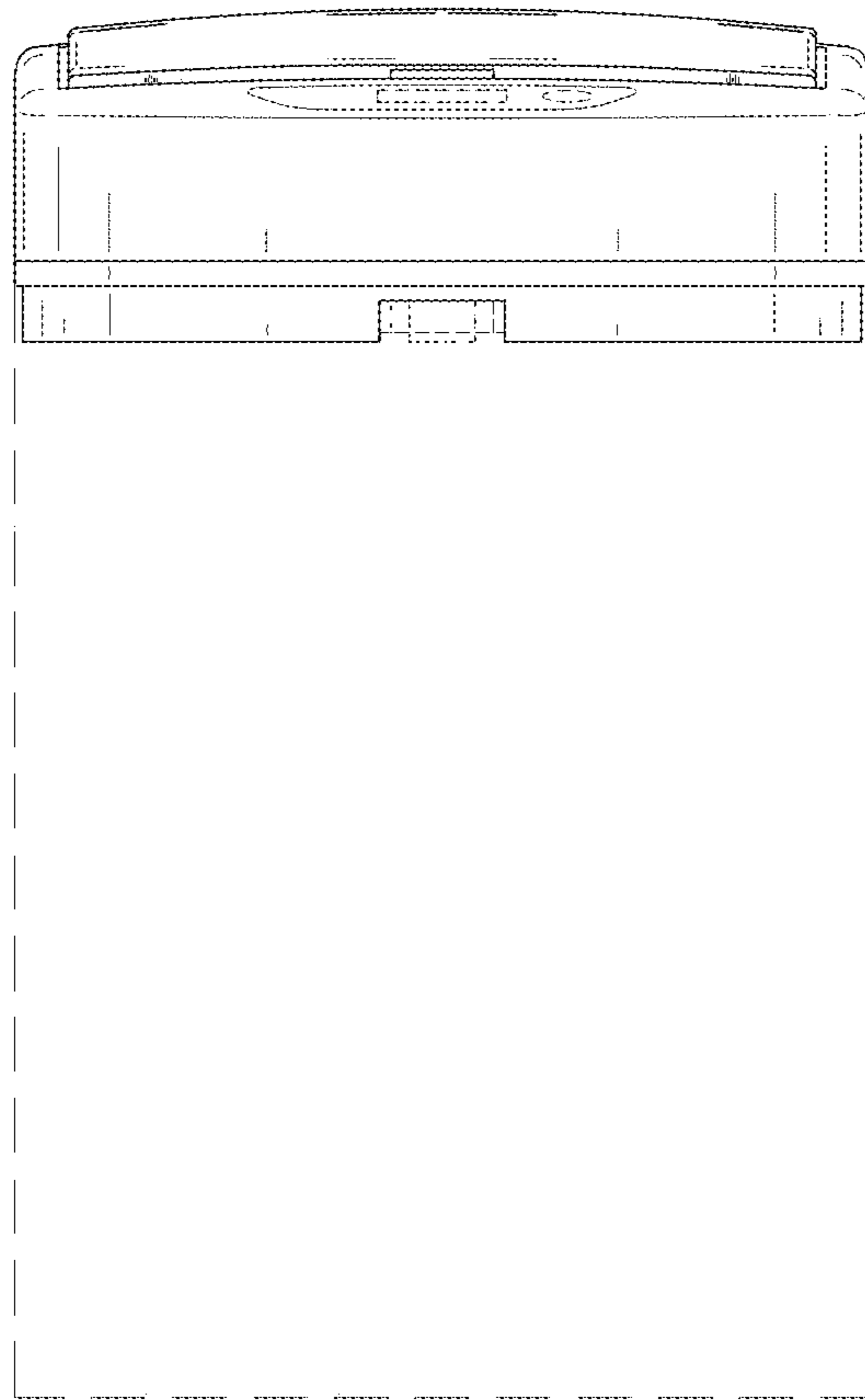


FIG.2

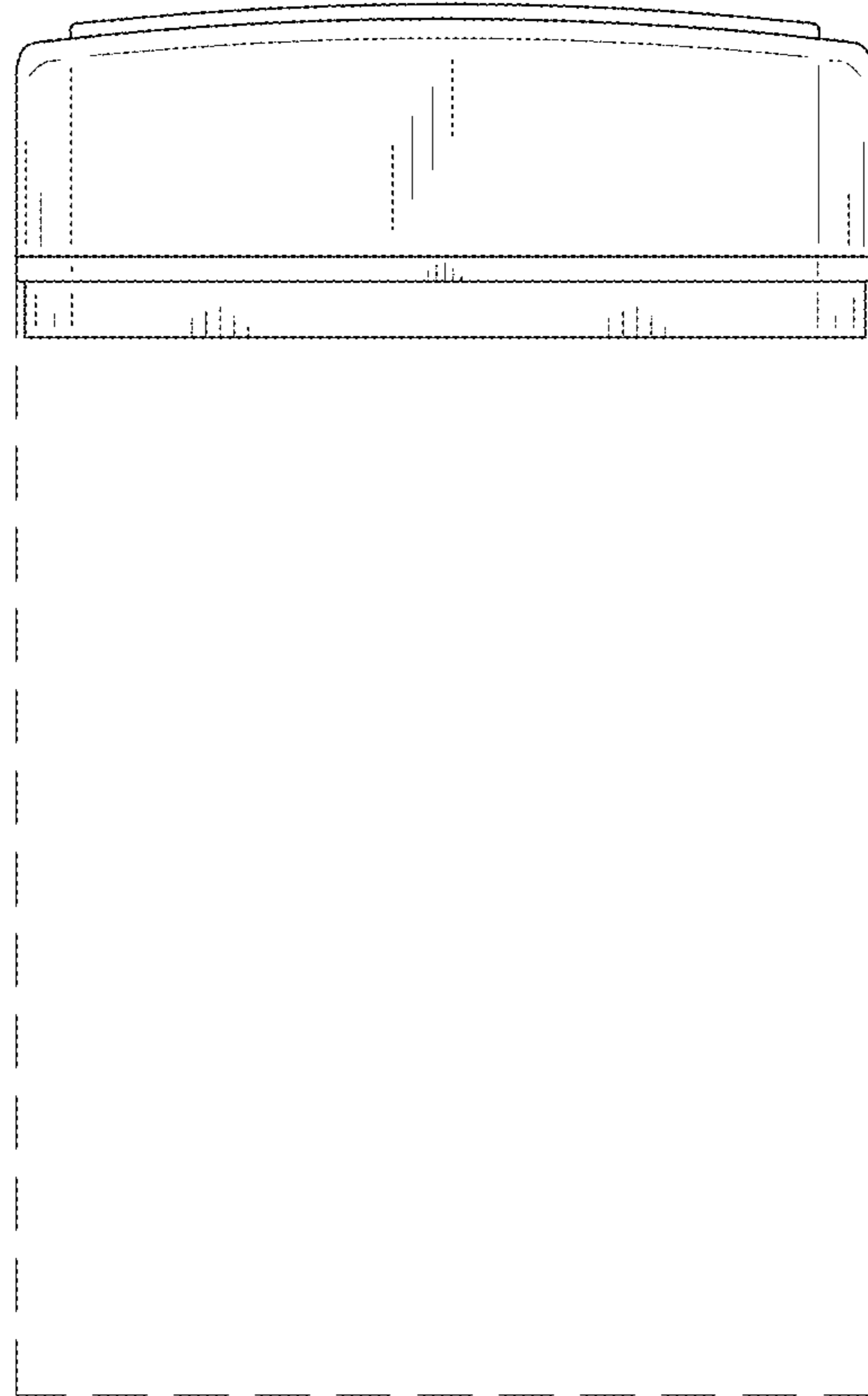


FIG.3

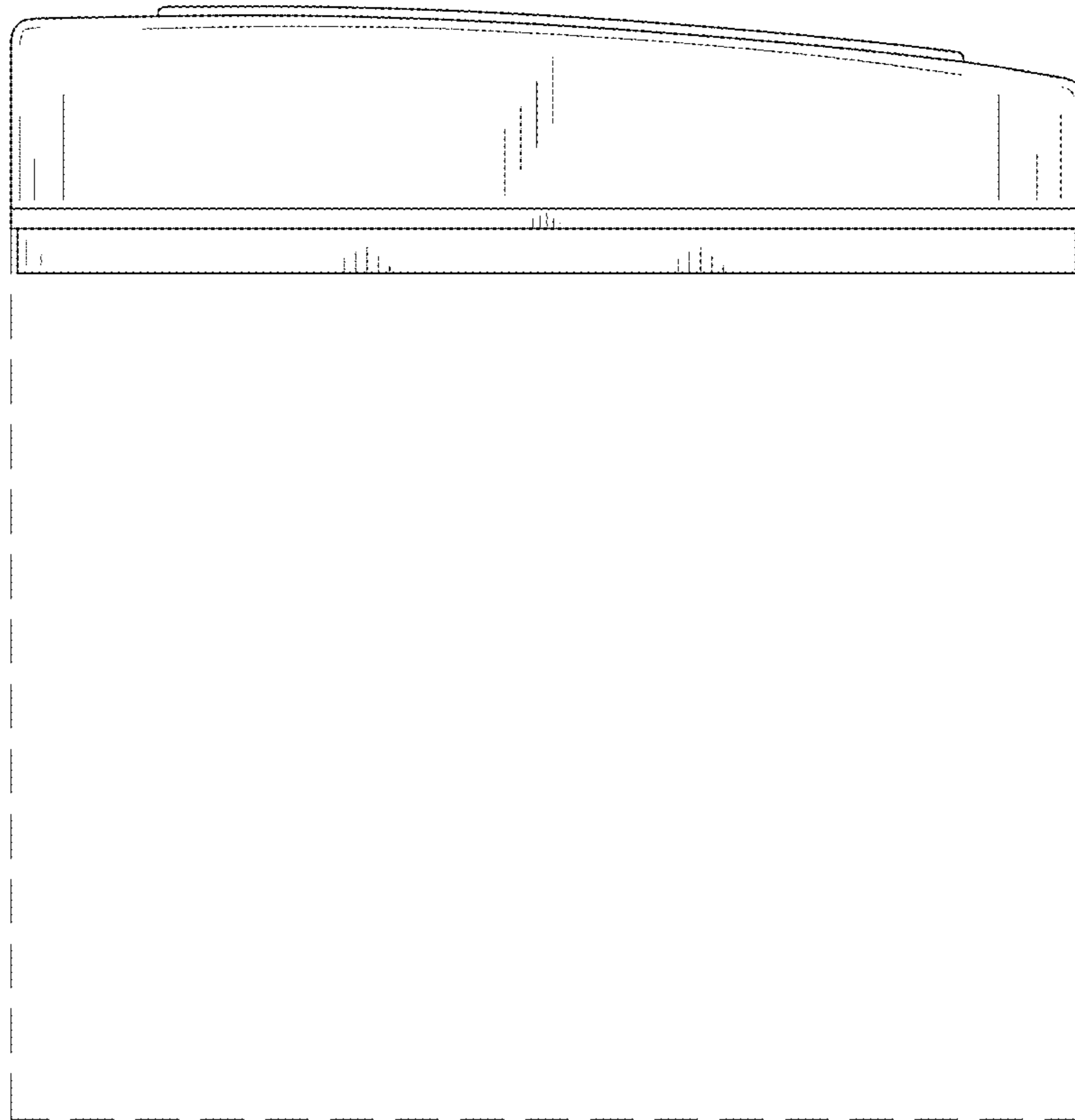


FIG.4

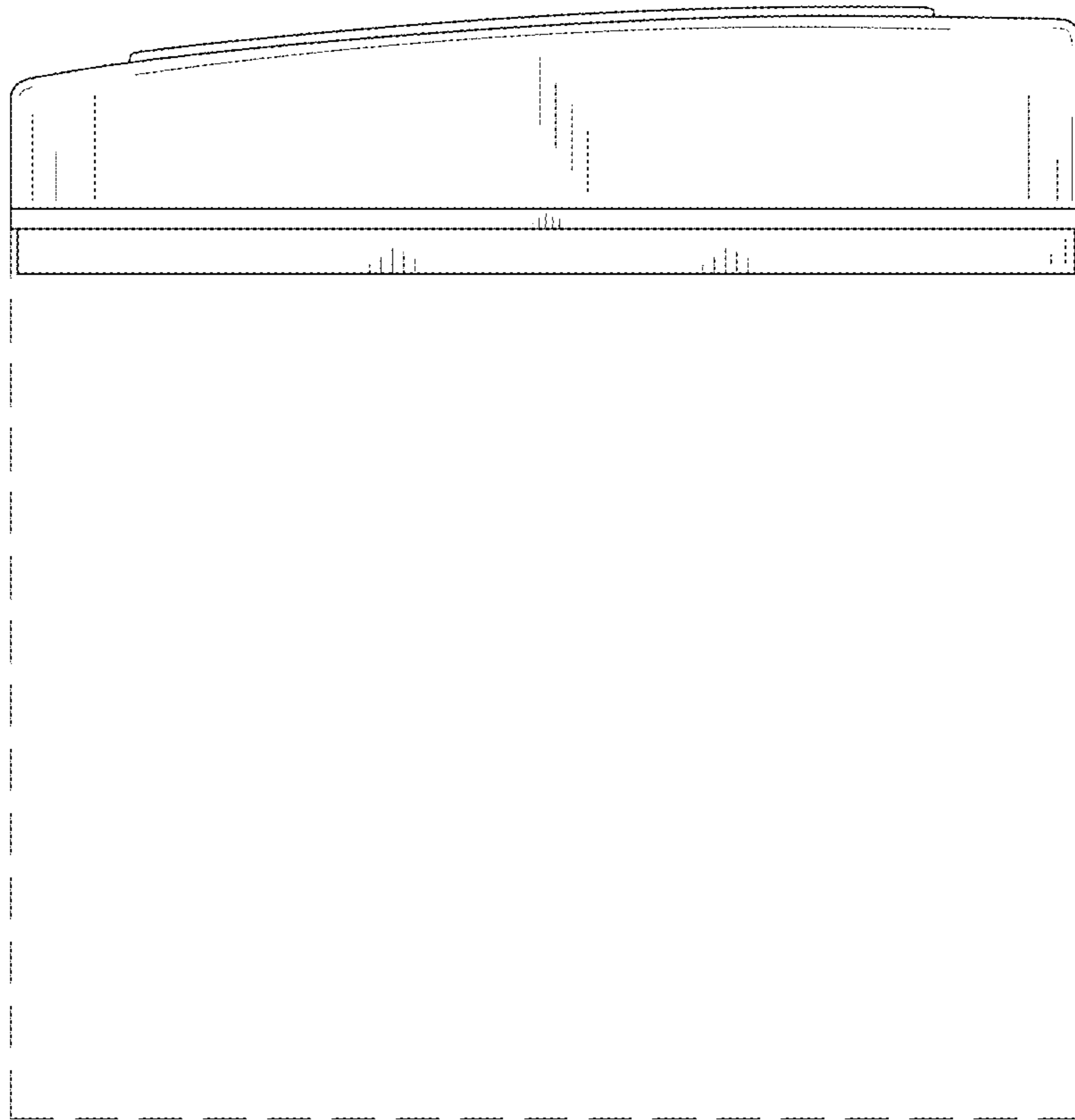


FIG.5

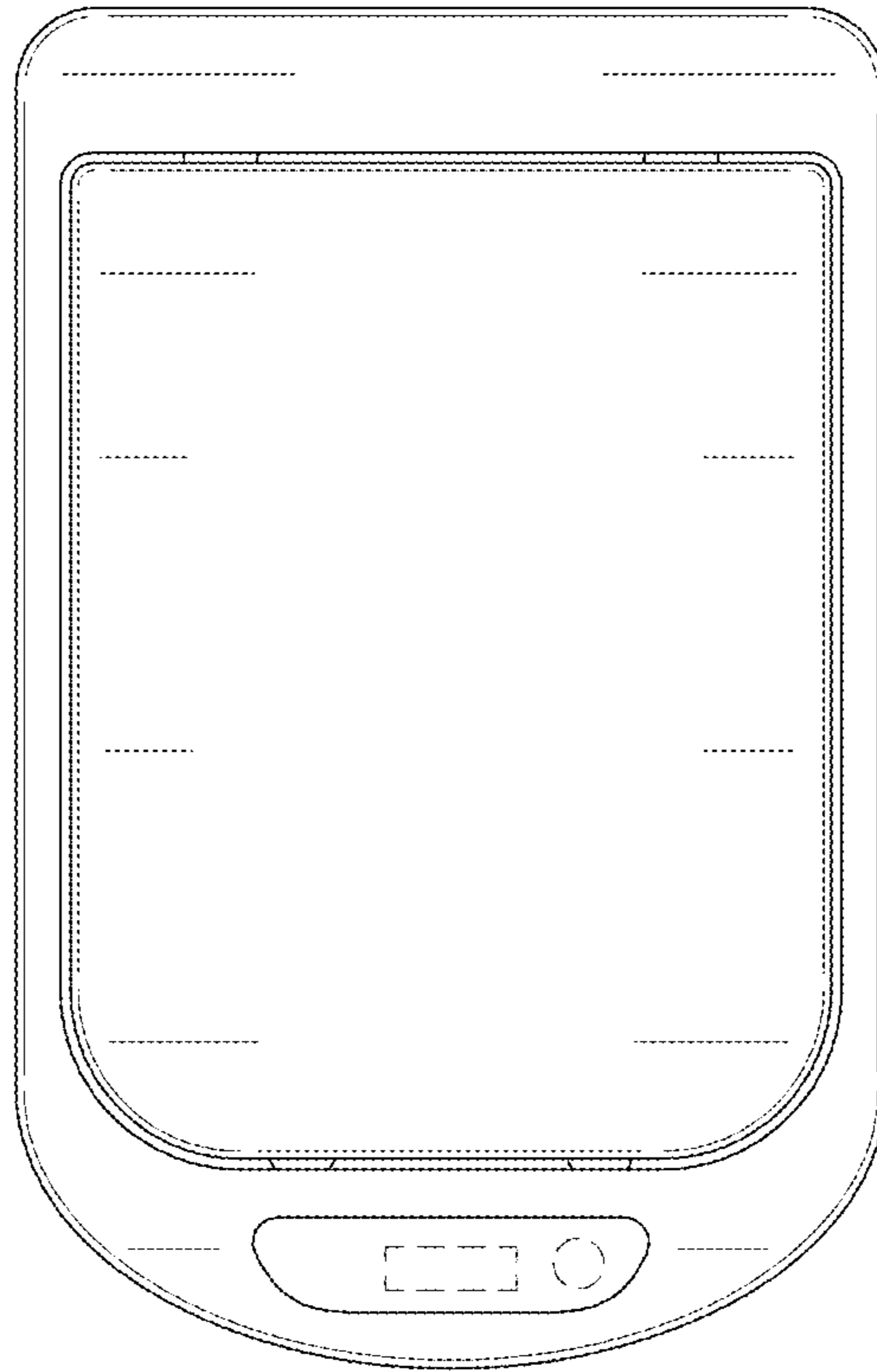


FIG.6

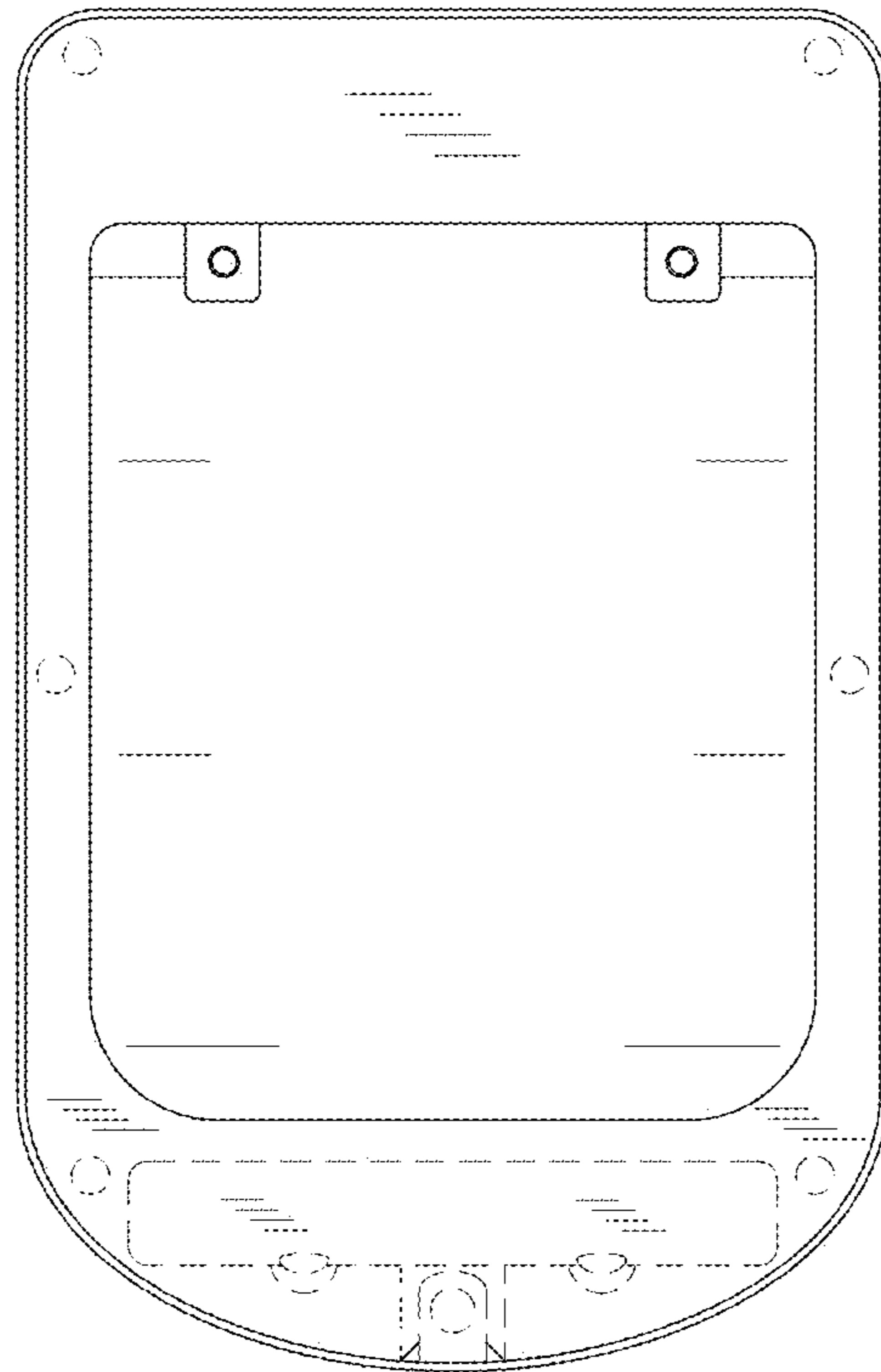


FIG.7

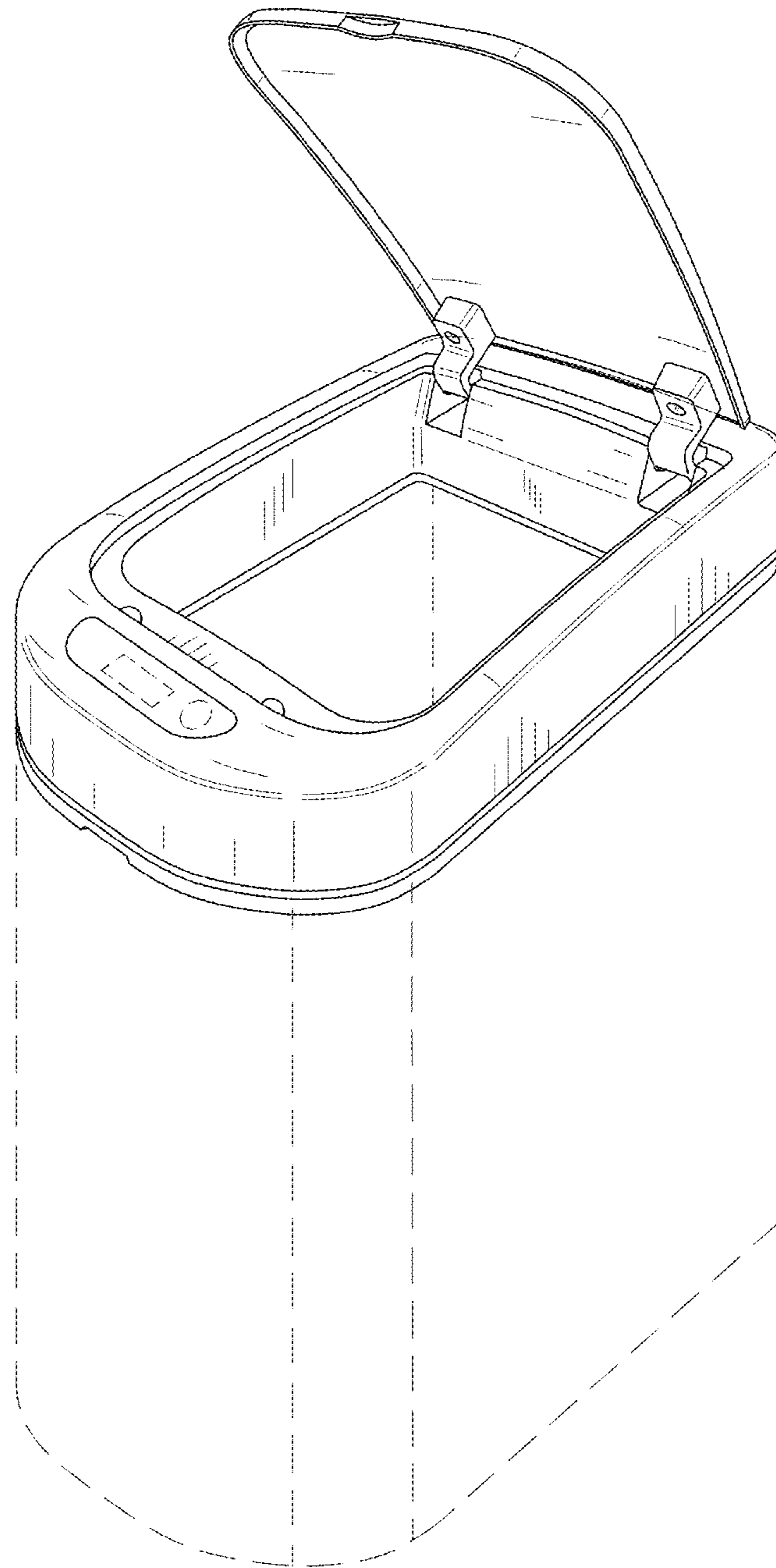


FIG.8